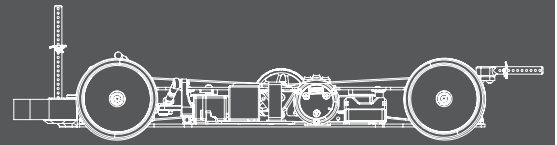


**X-XPRESS**  
[www.rc-xpress.com](http://www.rc-xpress.com)

**EXHAUSTIVE**  
**XQ11**  
1/10 COMPETITION TOURING CAR

**INSTRUCTION MANUAL**





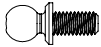
### Bag A , K and Screw



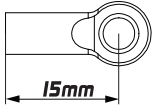
Turnbuckle M3 x 29mm  
XP-10156



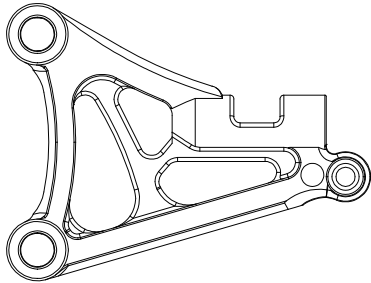
Steel Camberlink Turnbuckle 19mm  
XP-11066



Low friction 4.8mm Ball Stud 6mm Thread  
XP-11123



4.8mm Flat Type Ball End 15mm  
XP-10636



Soft Composite Upper Arm  
XP-11090

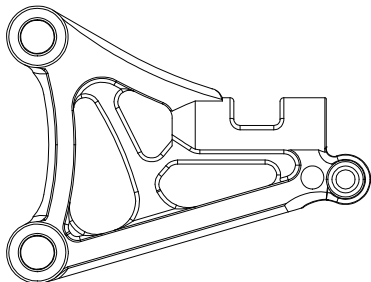


Camberlink adjustment wrench  
XP-40263



Hex Screw Cup Head M3 x 10mm  
XP-40625

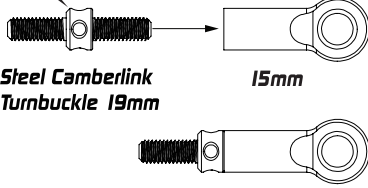
### Option



Hard Composite Upper Arm  
XP-11130

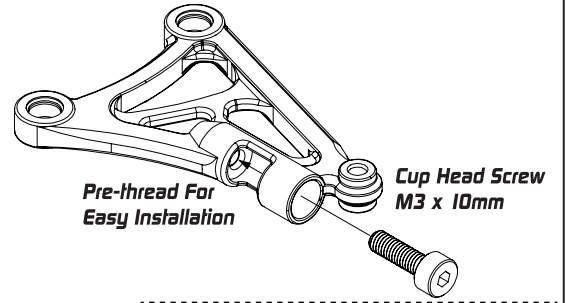
**4X** For Upper Arm

Direction



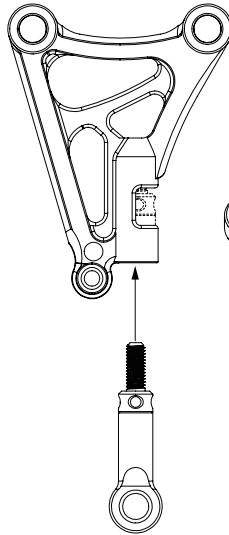
Steel Camberlink Turnbuckle 19mm

15mm

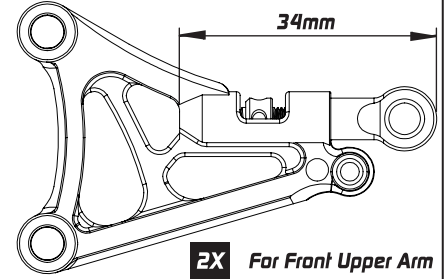


Pre-thread For Easy Installation

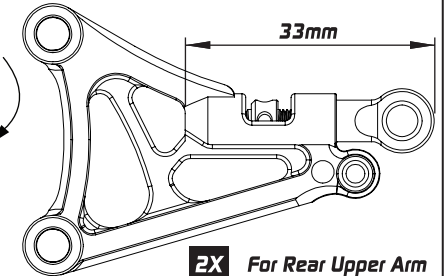
Cup Head Screw M3 x 10mm



Camberlink adjustment wrench



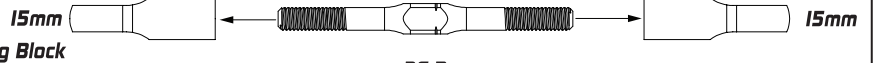
**2X** For Front Upper Arm



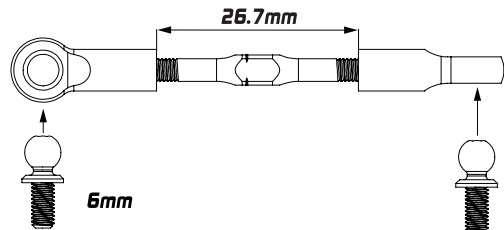
**2X** For Rear Upper Arm

**2X**

Turnbuckle M3 x 39mm



For Front Steering Block



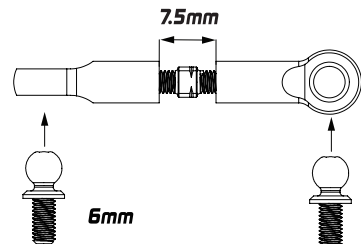
6mm

6mm

**1X**

For Servo

Turnbuckle M3 x 18mm



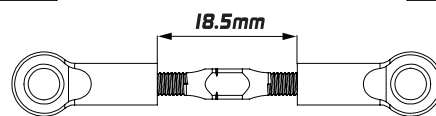
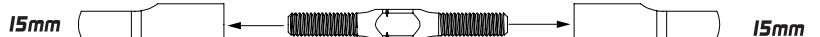
6mm

6mm

**2X**

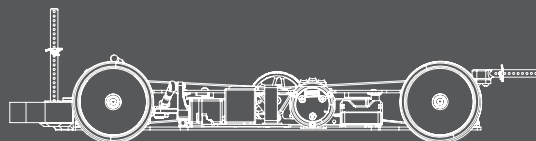
For Rear Steering Block

Turnbuckle M3 x 29mm

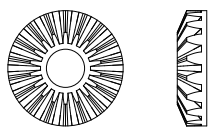


6mm

6mm



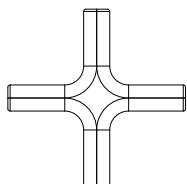
### Bag B , Bearing and Oil Bag



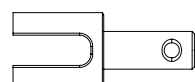
Bevel Gears 18T  
XP-10009



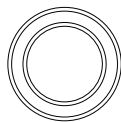
Bevel Gears 10T  
XP-10009



Gear Diff Cross Pin  
XP-10009



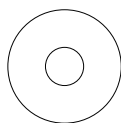
4mm Alu Gear Diff  
Outdrive Adapter  
XP-11016



Bearing 10 x 15 x 4mm  
XP-40065



Pin 2 x 9.8mm  
XP-40069



Spacer 5 x 15 x 0.4mm  
XP-10181



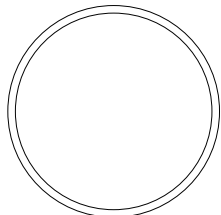
Spacer 3.6 x 9.5 x 0.2mm  
XP-10182



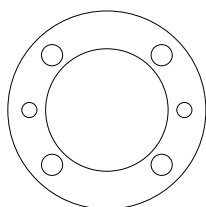
Silicone Gear Differential X-RING 5x2mm  
XP-10600



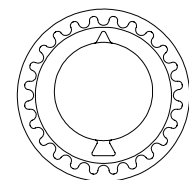
Flat Head Screw M2.5 x 8mm  
XP-40044



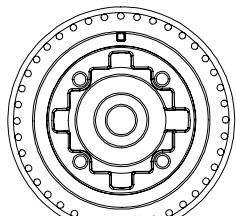
O-ring 25 x 1mm  
XP-10183



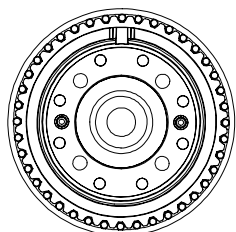
Diff Gasket  
XP-10179



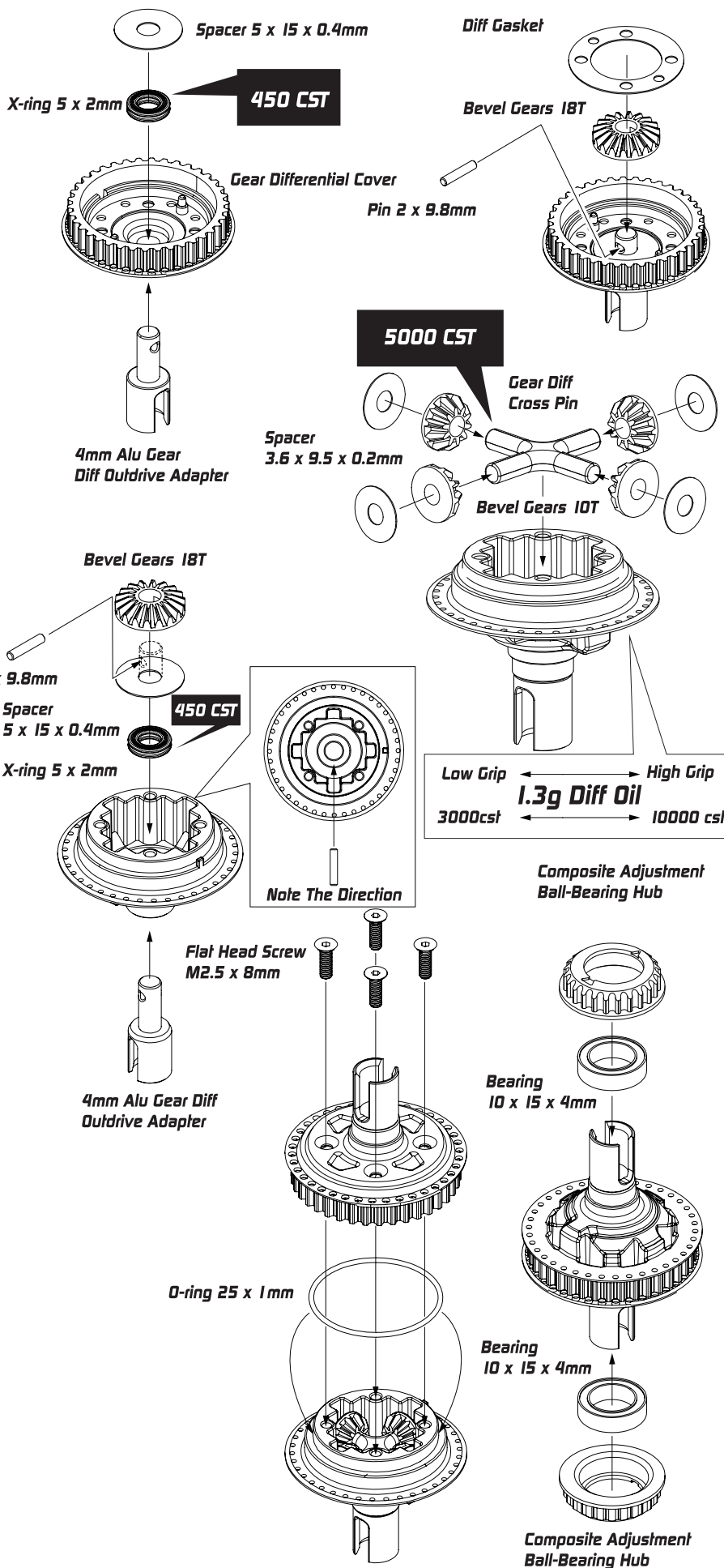
Composite Ball  
Bearing Hub 2pcs  
XP-11093



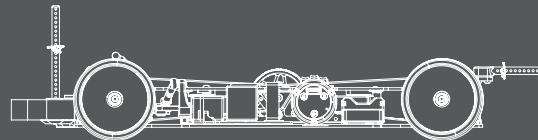
Gear Differential Case V2  
XP-11133



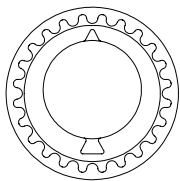
Gear Differential Cover V2  
XP-11133



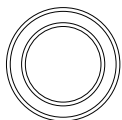




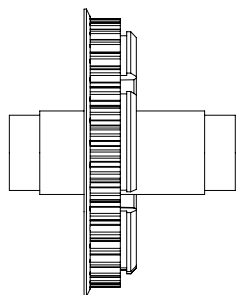
### Bag C and HW Bag



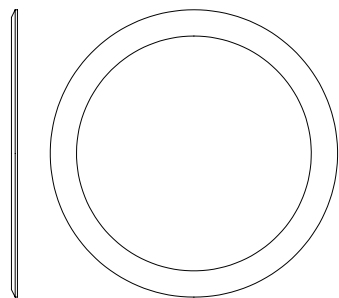
**Composite Ball Bearing Hub 2pcs**  
XP-11093



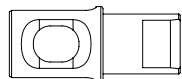
**Bearing 10 x 15 x 4mm**  
XP-40065



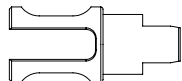
**Composite Spool 38T**  
XP-11094



**Composite Spool 38T Cover**  
XP-11094

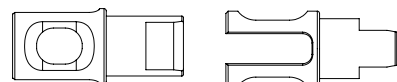


**Outdrive Adapter 4mm**  
XP-11083

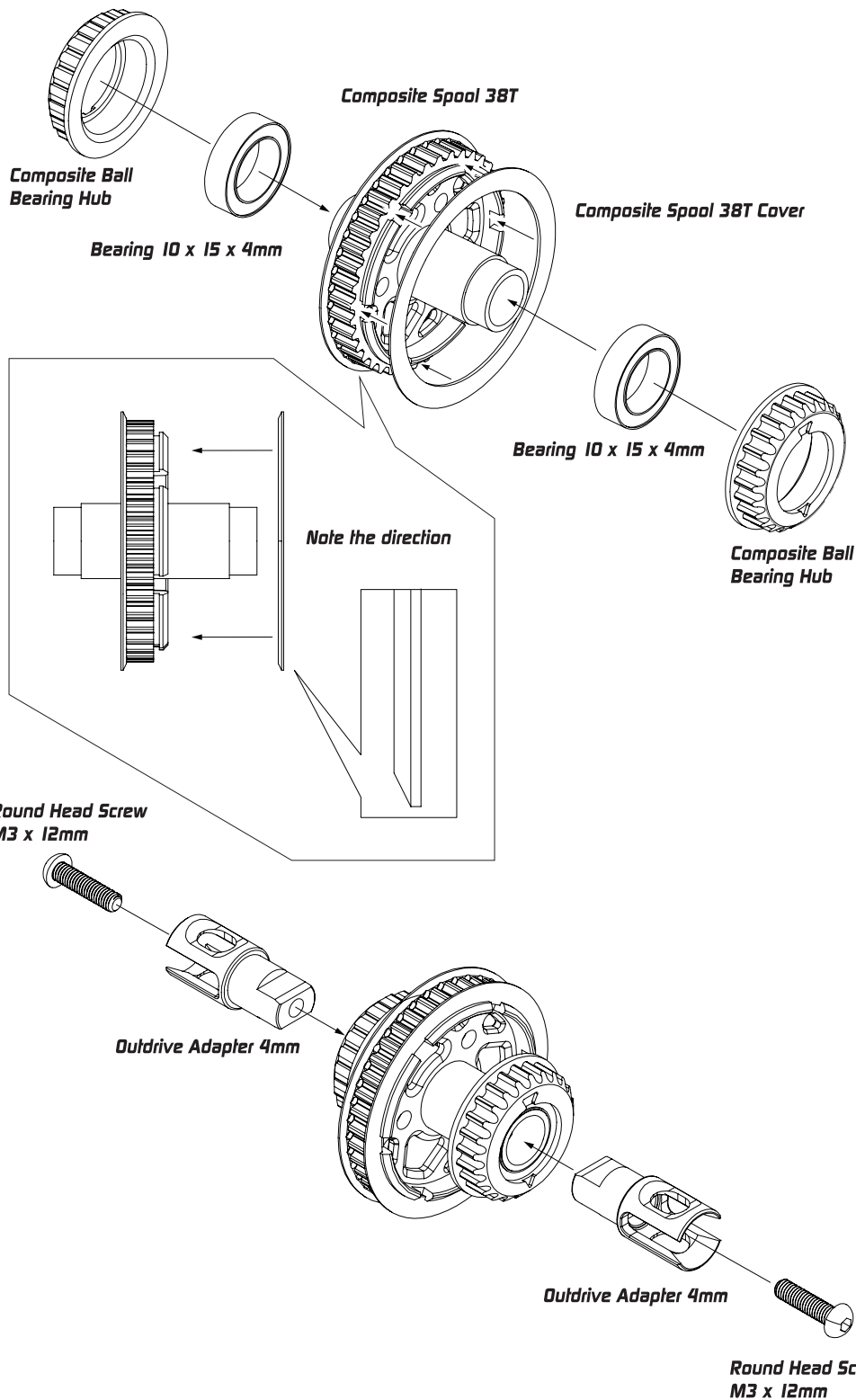


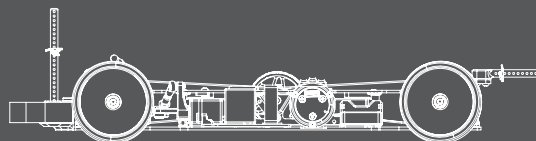
**Round Head Screw M3 x 12mm**  
XP-40040

### Optional

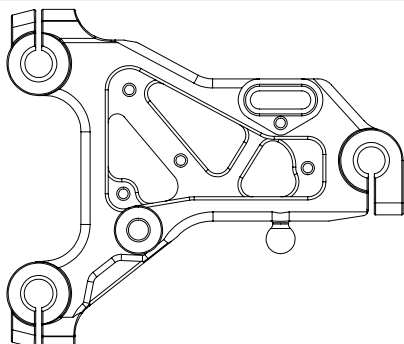


**Titanium Outdrive Adapter 4mm**  
XP-11921

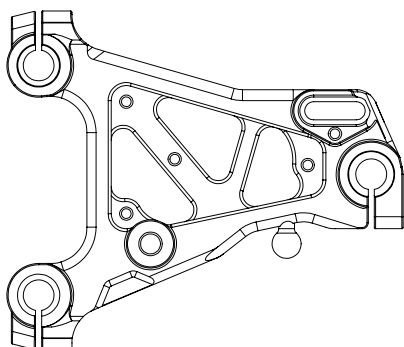




### Bag D and HW Bag

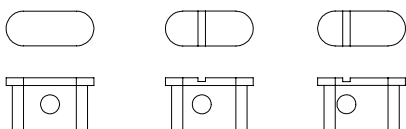


Soft Composite Suspension Arm Front  
XP-11087

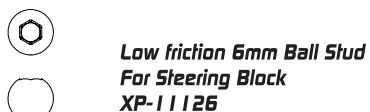


Soft Composite Suspension Arm Rear  
XP-11087

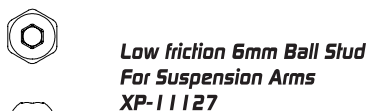
0mm    +1mm / -1mm    +2mm / -2mm



Soft Composite Suspension Insert  
XP-11087



Low friction 6mm Ball Stud  
For Steering Block  
XP-11126



Low friction 6mm Ball Stud  
For Suspension Arms  
XP-11127



Hex Screw Cup Head CM2x8mm  
XP-40258



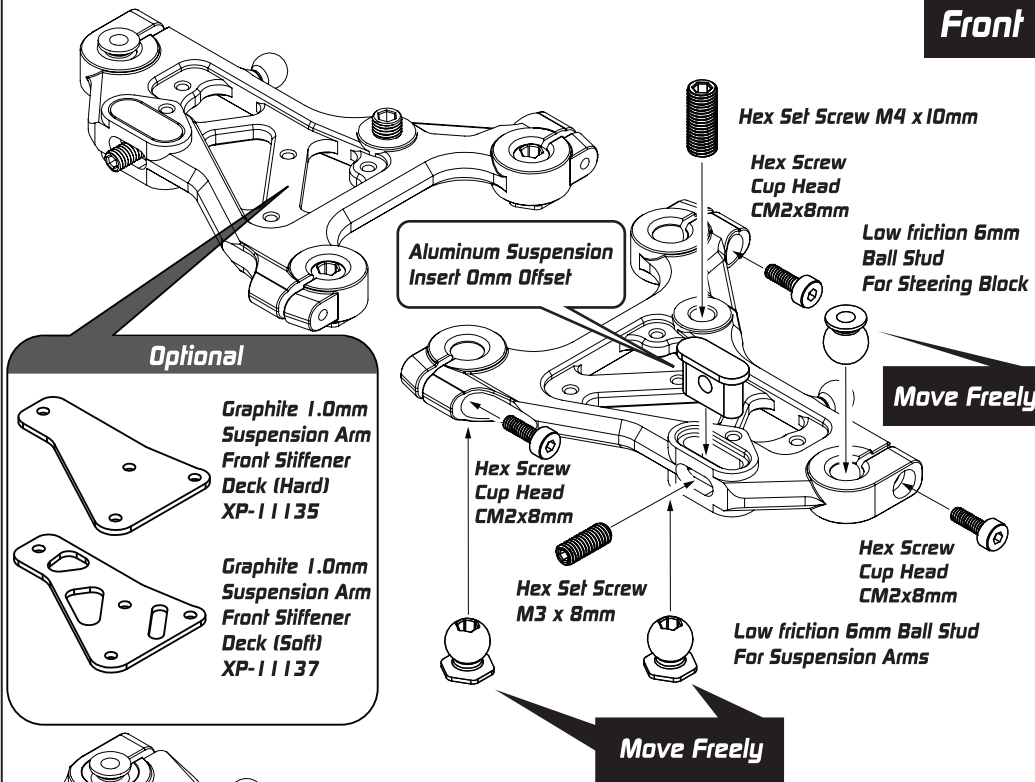
Hex Set Screw M4 x 10mm  
XP-40056



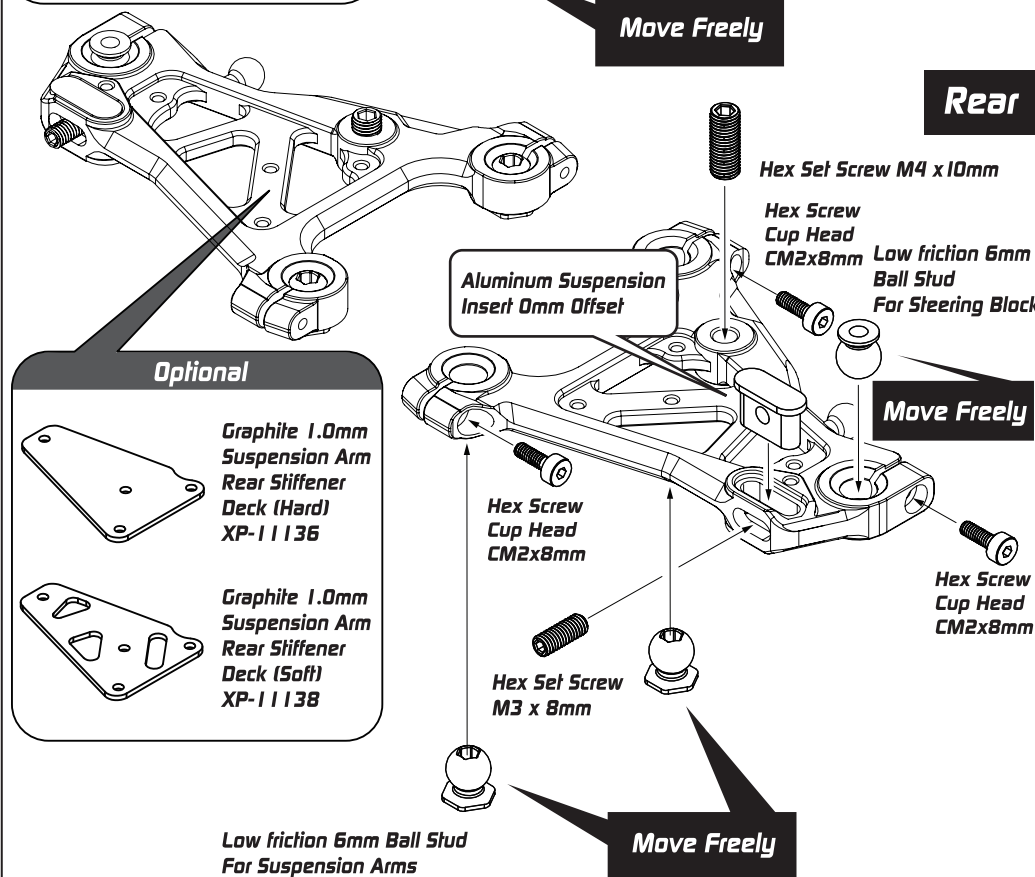
Hex Set Screw M3 x 8mm  
XP-40054

### Optional

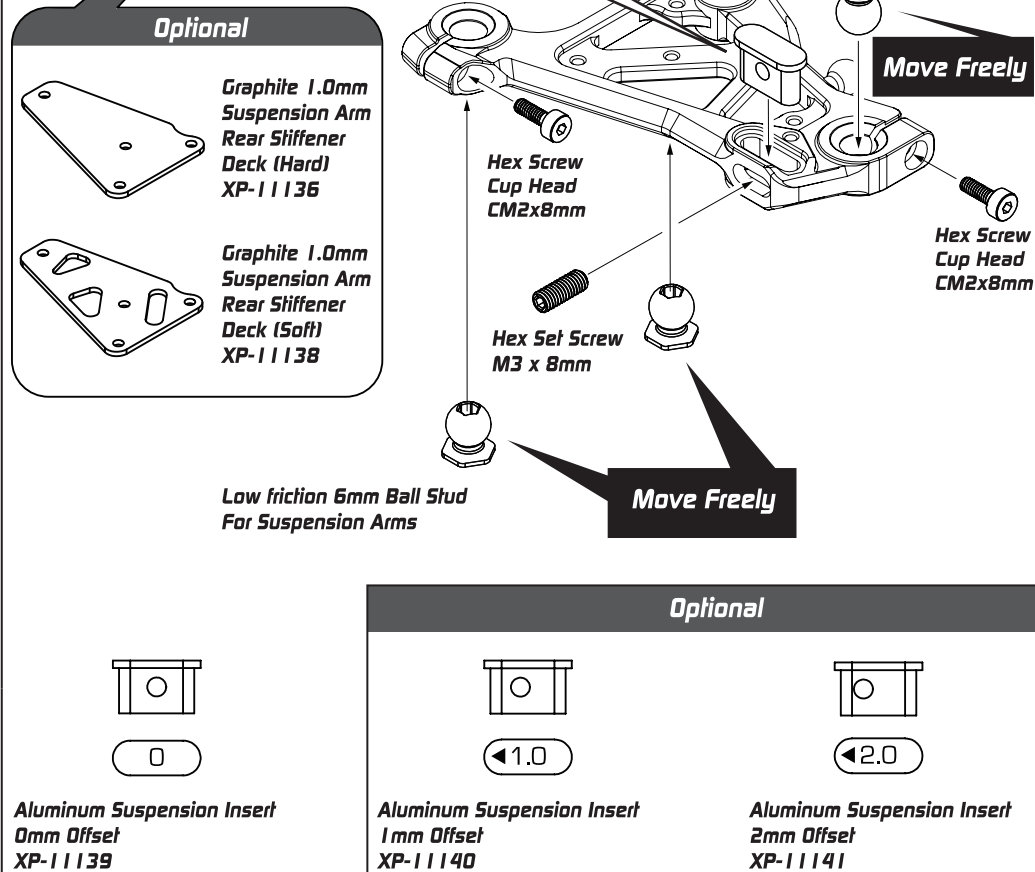
Hard Composite Suspension Arm Set  
XP-11132



### Front



### Rear



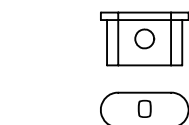
### Optional



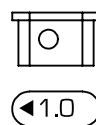
Graphite 1.0mm Suspension Arm  
Front Stiffener  
Deck (Hard)  
XP-11135



Graphite 1.0mm Suspension Arm  
Front Stiffener  
Deck (Soft)  
XP-11137



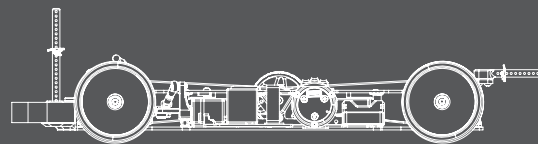
Aluminum Suspension Insert  
0mm Offset  
XP-11139









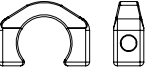
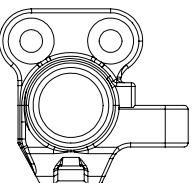
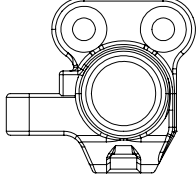
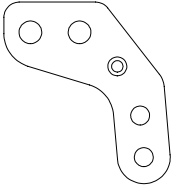
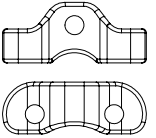
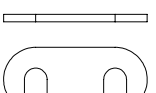
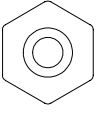



Aluminum Suspension Insert  
1mm Offset  
XP-11140



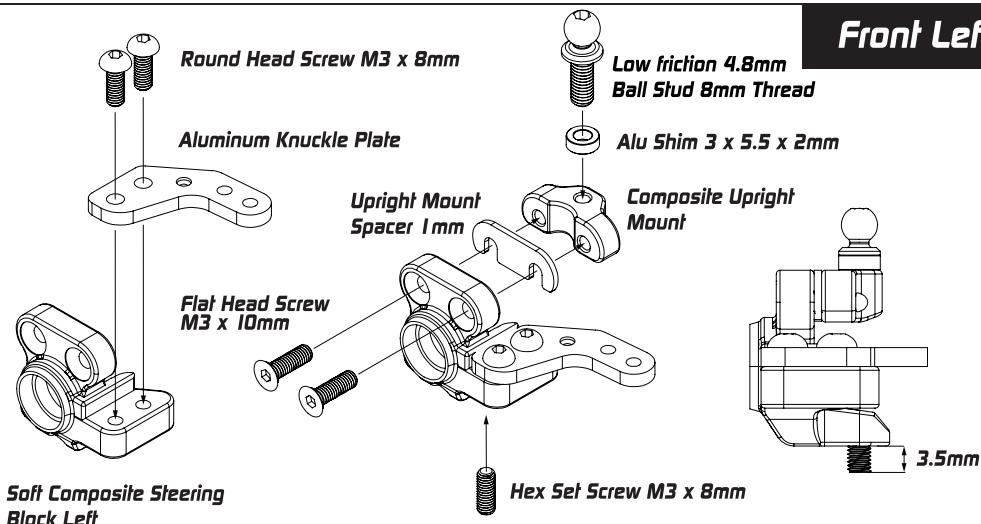
Aluminum Suspension Insert  
2mm Offset  
XP-11141



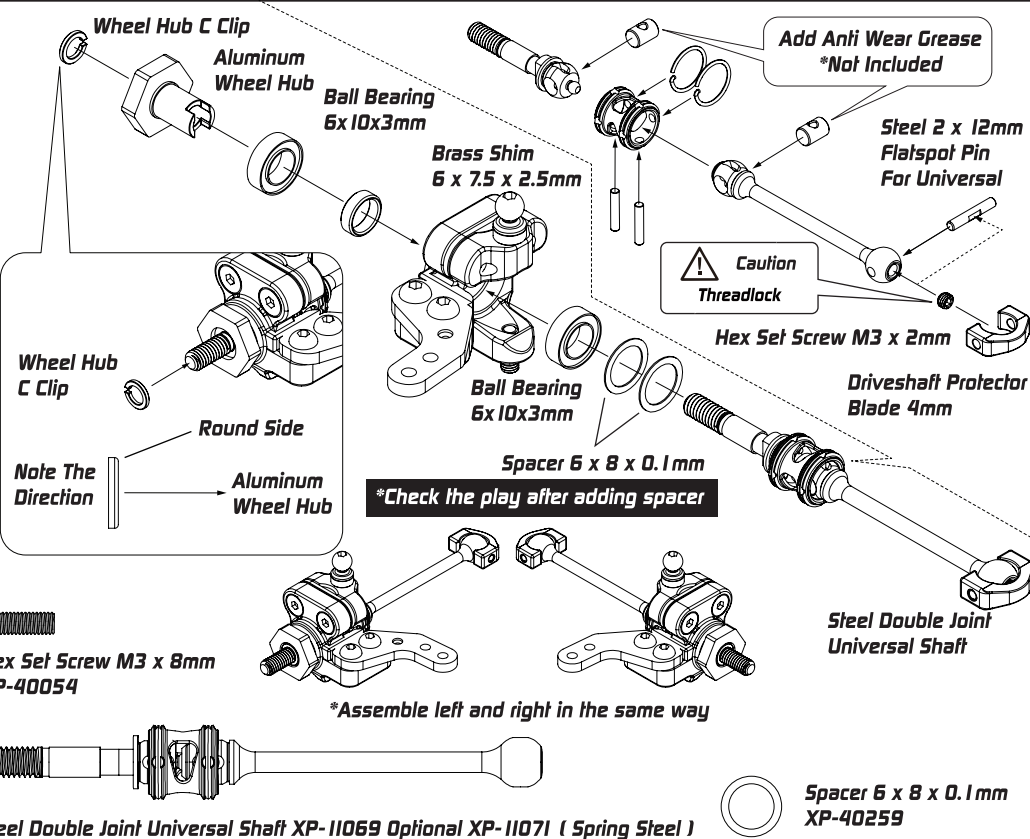
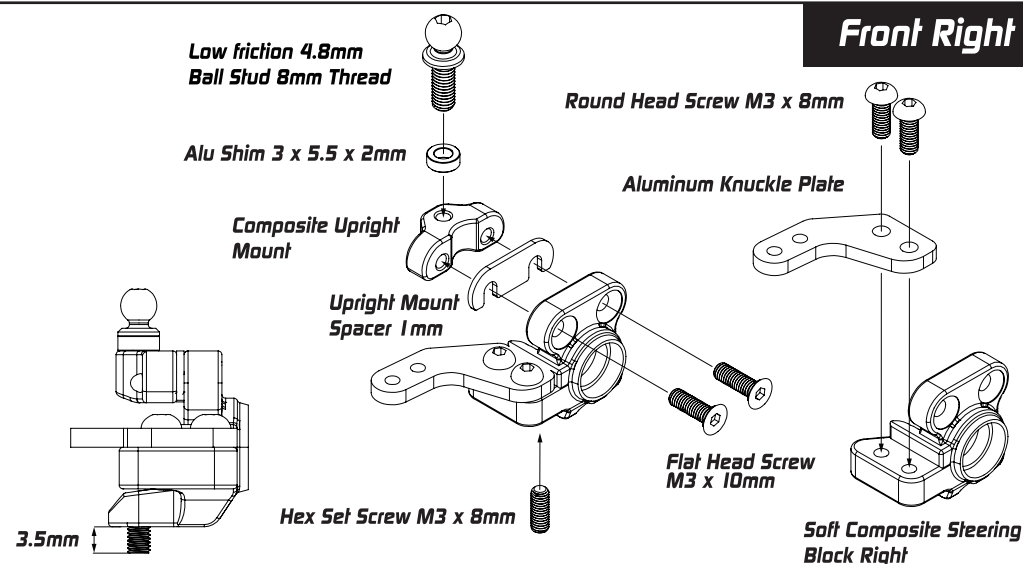
### Bag A, E and HW Bag

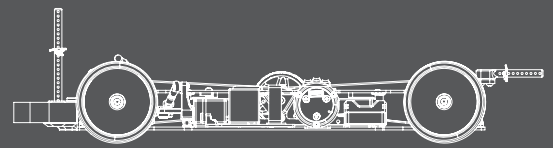
-  **Round Head Screw M3 x 8mm**  
XP-40038
-  **Flat Head Screw M3 x 10mm**  
XP-40049
-  **Alu Shim 3 x 5.5 x 2mm**  
XP-10241
-  **Low friction 4.8mm Ball Stud 8mm Thread**  
XP-11124
-  **Hex Set Screw M3 x 2mm**  
XP-40051
-  **Steel 2 x 12mm Flatspot Pin For Universal**  
XP-40071
-  **Driveshaft Protector Blade 4mm**  
XP-10876
-  **Soft Composite Steering Block Left** XP-11092  
Optional :  
XP-11131 ( Hard )  
XP-11116 ( Aluminum )
-  **Soft Composite Steering Block Right** XP-11092  
Optional :  
XP-11131 ( Hard )  
XP-11117 ( Aluminum )
-  **Aluminum Knuckle Plate + 1mm Offset**  
XP-11082
-  **Soft Composite Upright Mount** XP-11092  
Optional :  
XP-11131 ( Hard )  
XP-11118 ( Aluminum )
-  **Soft Composite Upright Mount Spacer 1mm**  
XP-11092
-  **Aluminum Wheel Hub** XP-11078  
Optional :  
XP-11097 ( +1mm )
-  **Wheel Hub C Clip**  
XP-11119
-  **Brass Shim 6 x 7.5 x 2.5mm**  
XP-11085
-  **Ball Bearing 6x10x3mm**  
XP-40250

### Front Left

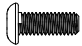


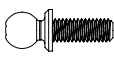

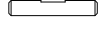
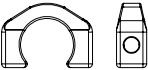
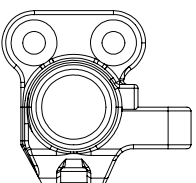
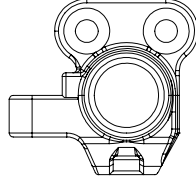
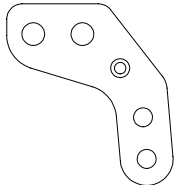
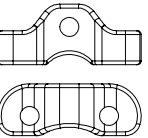
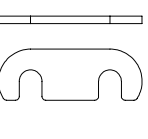
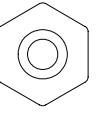


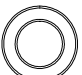


### Front Right

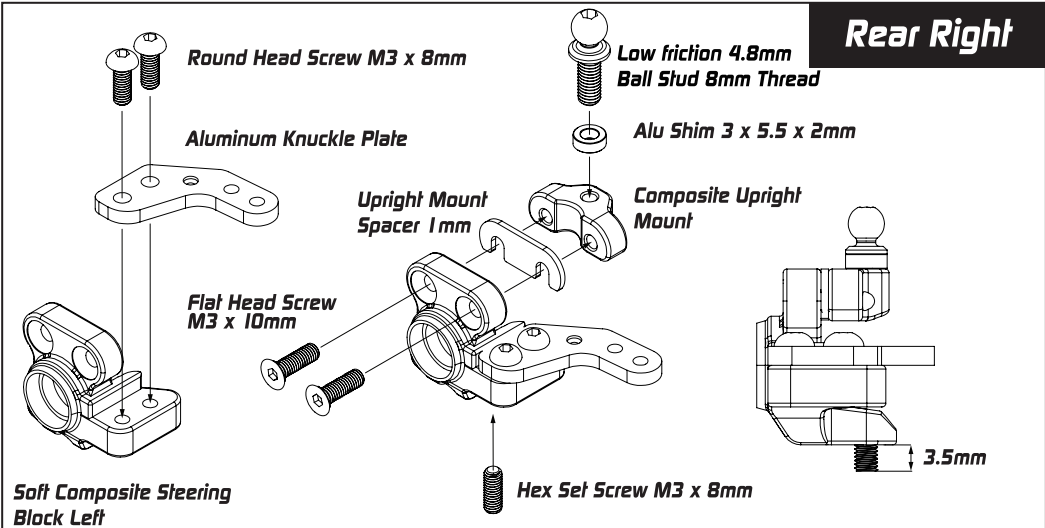




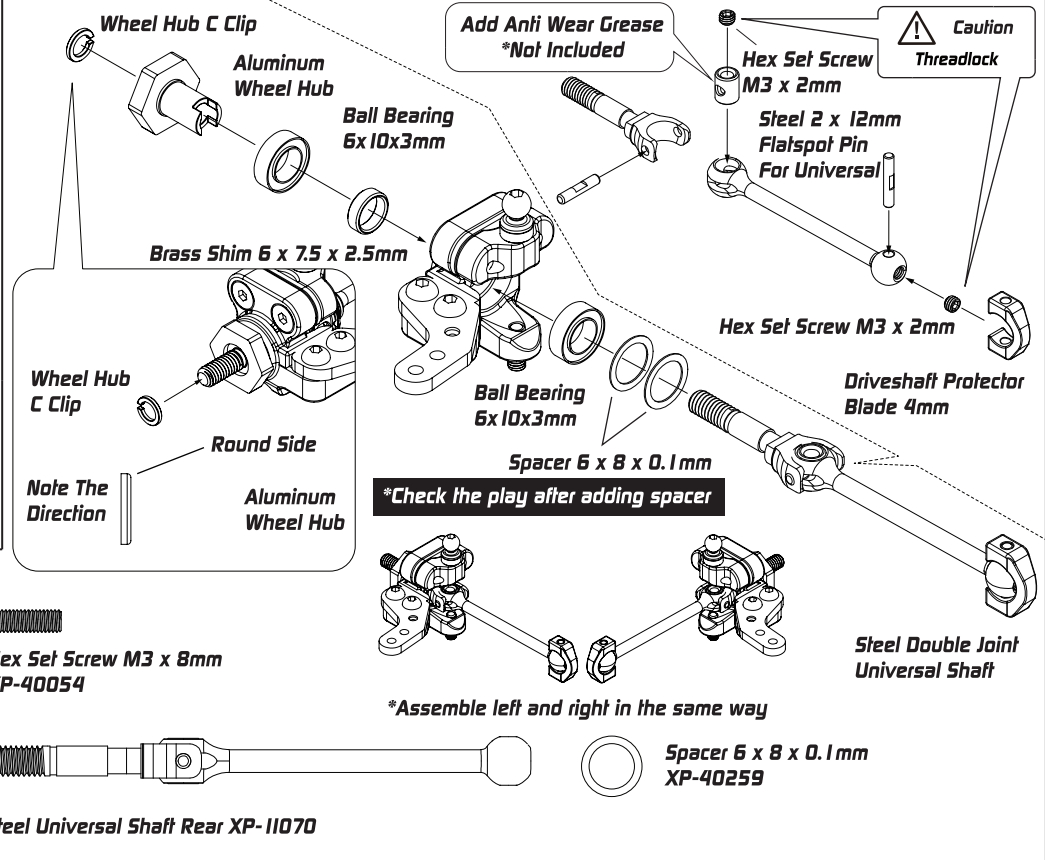
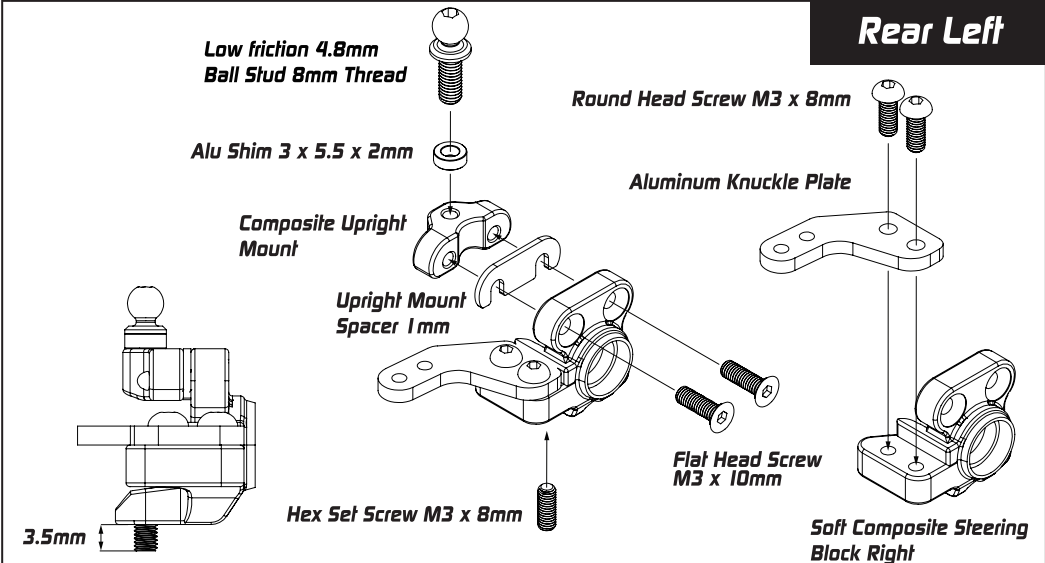
### Bag A , F and HW Bag

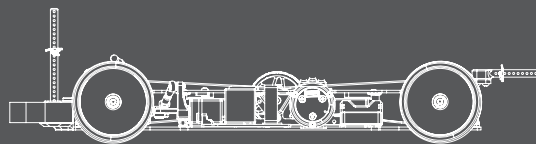
-  **Round Head Screw M3 x 8mm XP-40038**
-  **Flat Head Screw M3 x 10mm XP-40049**
-  **Alu Shim 3 x 5.5 x 2mm XP-10241**
-  **Low friction 4.8mm Ball Stud 8mm Thread XP-11124**
-  **Hex Set Screw M3 x 2mm XP-40051**
-  **Steel 2 x 12mm Flatspot Pin For Universal XP-40071**
-  **Driveshaft Protector Blade 4mm XP-10876**
-  **Soft Composite Steering Block Left XP-11092**  
Optional :  
XP-11131 ( Hard )  
XP-11116 ( Aluminum )
-  **Soft Composite Steering Block Right XP-11092**  
Optional :  
XP-11131 ( Hard )  
XP-11117 ( Aluminum )
-  **Aluminum Knuckle Plate + 1mm Offset XP-11082**
-  **Soft Composite Upright Mount XP-11092**  
Optional :  
XP-11131 ( Hard )  
XP-11118 ( Aluminum )
-  **Soft Composite Upright Mount Spacer 1mm XP-11092**
-  **Aluminum Wheel Hub XP-11078**  
Optional :  
XP-11097 ( +1mm )
-  **Wheel Hub C Clip XP-11119**
-  **Brass Shim 6 x 7.5 x 2.5mm XP-11085**
-  **Ball Bearing 6x10x3mm XP-40250**

### Rear Right



### Rear Left





### Bag G and HW Bag

 Aluminum Anti-Roll Bar Ball  
XP-10818

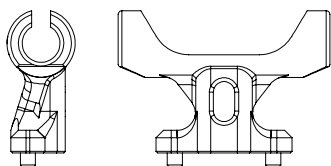
 Anti-Roll Bar Ball Joint  
XP-10883

 Set Screw M3 x 2mm  
XP-40051

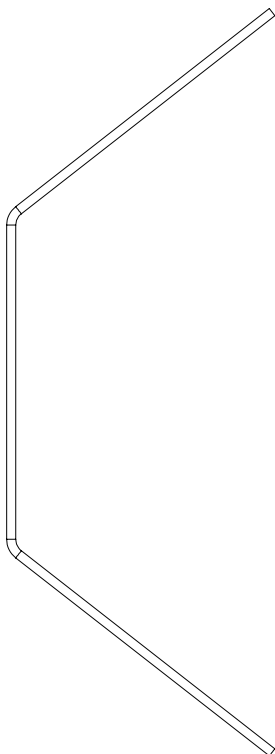
 Set Screw M3 x 3mm  
XP-40052

 Bearing 3 x 6 x 2.5mm  
XP-40060

 Alu Anti-Roll Bar Bushing V2  
XP-11049



Composite Anti-Roll Bar Mount  
XP-11079



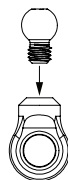
Anti-Roll Bar 1.2mm F/R  
XP-11014

Optional :  
Anti-Roll Bar 1.1mm F/R  
XP-11013

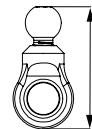
Anti-Roll Bar 1.3mm F/R  
XP-11015

**4X**

Aluminum Anti-Roll Bar Ball



Anti-Roll Bar Ball Joint



16.2mm

**2X**

Alu Anti-Roll Bar Bushing V2

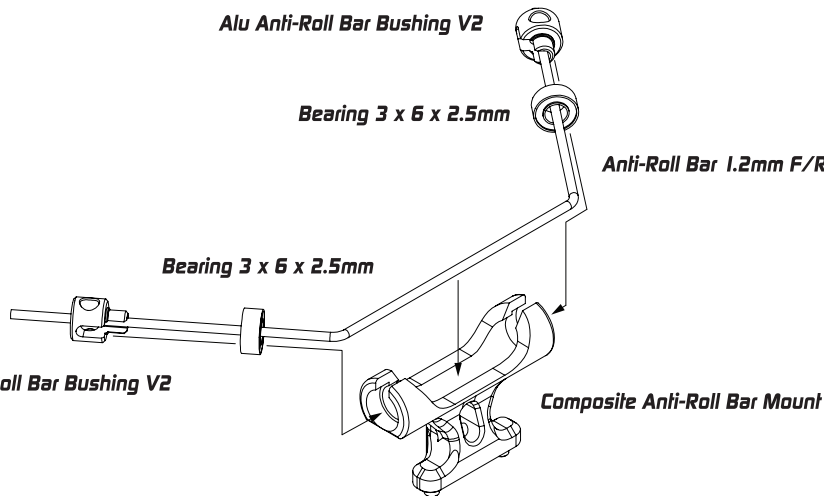
Bearing 3 x 6 x 2.5mm

Anti-Roll Bar 1.2mm F/R

Bearing 3 x 6 x 2.5mm

Alu Anti-Roll Bar Bushing V2

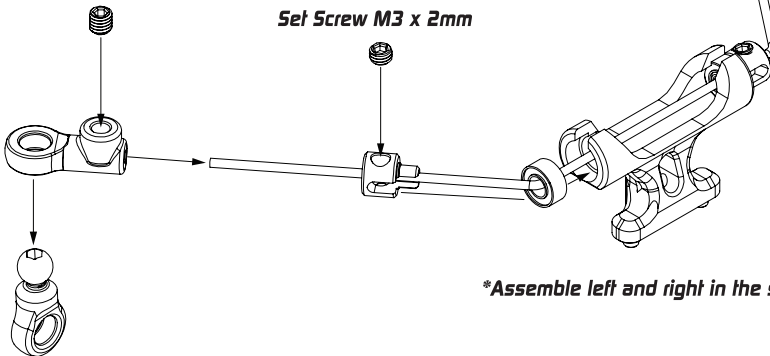
Composite Anti-Roll Bar Mount



*\*Fine Tune at Suspension Arm Assembly*

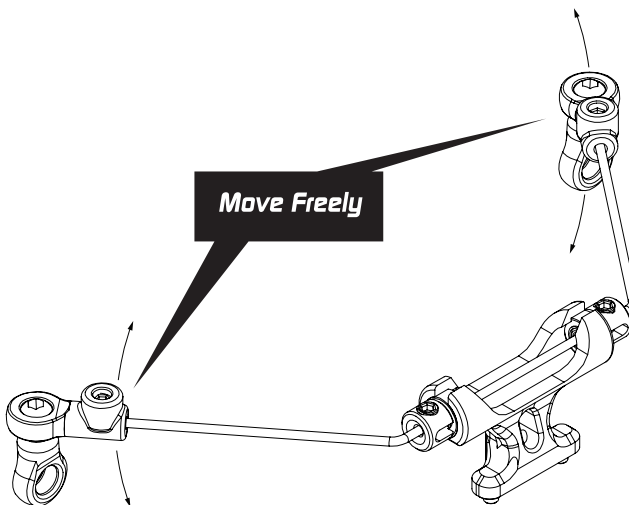
Set Screw M3 x 3mm

Set Screw M3 x 2mm

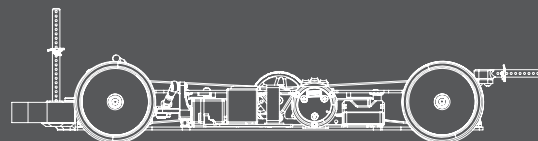


*\*Assemble left and right in the same way*

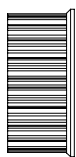
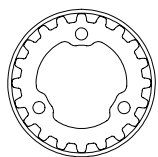
**Move Freely**







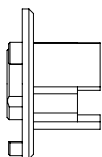
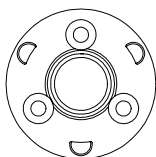
### Bag H , Bearing and Screw Bag



**Composite Center Pulley 20T**  
XP-11009



**Steel Center Pulley Post**  
XP-11075



**Aluminum Center Pulley Adaptor**  
XP-11077



**Flat Head Hex Screw M2 x 8mm**  
XP-40260



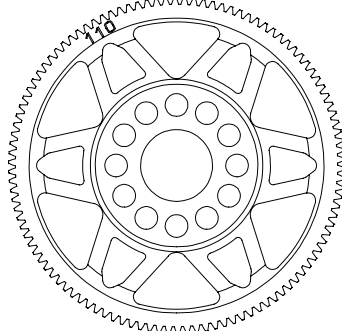
**Ball Bearing 4 x 8 x 3mm**  
XP-40249



**Ball Bearing 6 x 10 x 3mm**  
XP-40250



**Hex Screw Round Head 2.5 x 4mm**  
XP-40248



**High Composite Spur Gear 64P 110T**  
XP-40083



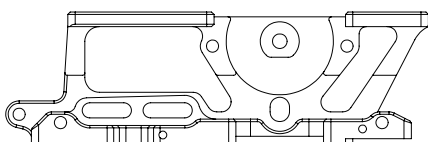
**Center Pulley Adaptor Cap Oring**  
XP-10985



**Center Pulley Adaptor Cap**  
XP-10985



**Aluminum Belt Tension Locknut**  
XP-11076



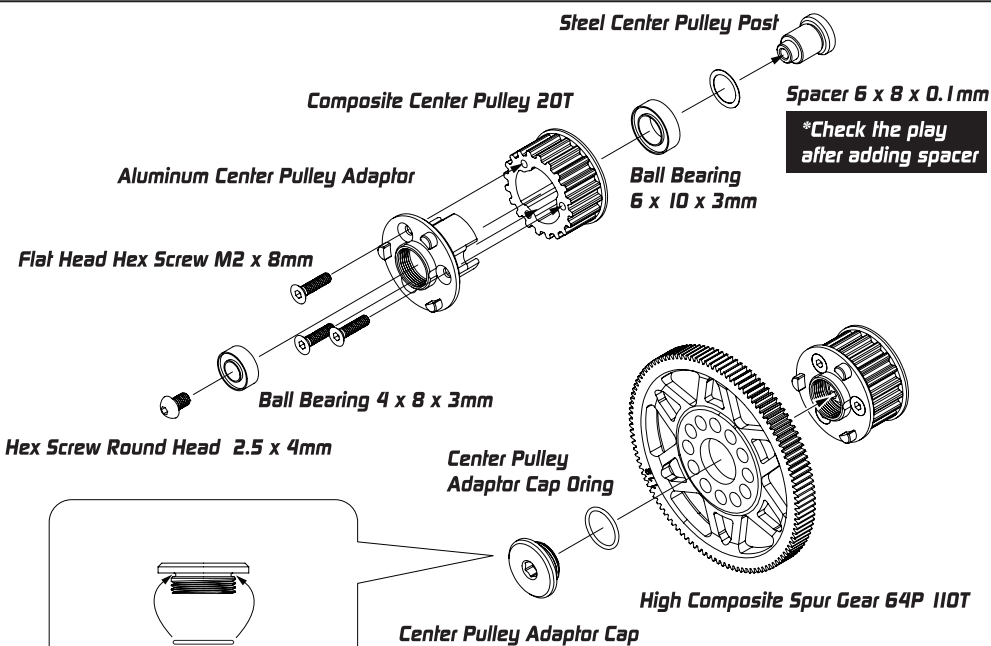
**Aluminum Motor Mount**  
XP-11065



**Spacer 3 x 5 x 0.2mm**  
XP-40066



**Aluminum Shim 3 x 5.5 x 1.0mm**  
XP-10119 / XP-10240



**Bearing 3 x 7 x 3mm**  
XP-40257



**Round Head Screw RM3 x 6mm**  
XP-40037



**Battery stopper**  
XP-11120

**Spacer 3 x 5 x 0.2mm**

**Bearing 3 x 7 x 3mm**

**Round Head Screw RM3 x 10mm**



**Flat Head Screw FM3 x 10mm**

**Round Head Screw RM3 x 10mm**



**Bearing 3 x 7 x 3mm**

**Kevlar Low Friction Belt 3x35 1mm**  
XP-10647

**Flat Head Screw FM3 x 10mm**

**Aluminum Motor Mount**

**Aluminum Shim 3 x 5.5 x 1.0mm**

**Aluminum Belt Tension Locknut**



**Round Head Screw RM3 x 6mm**



**Flat Head Screw FM3 x 10mm**  
XP-40049



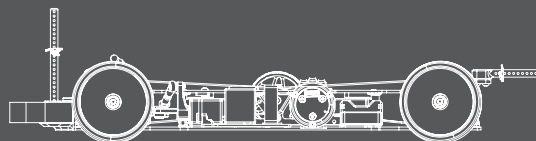
**Round Head Screw RM3 x 10mm**  
XP-40039



**Spacer 6 x 8 x 0.1mm**  
XP-40259





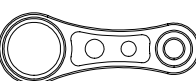

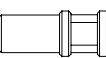

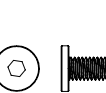
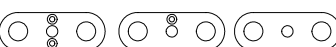


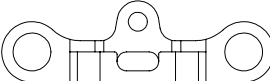
**Kevlar Low Friction Belt 3x35 1mm**  
XP-10647

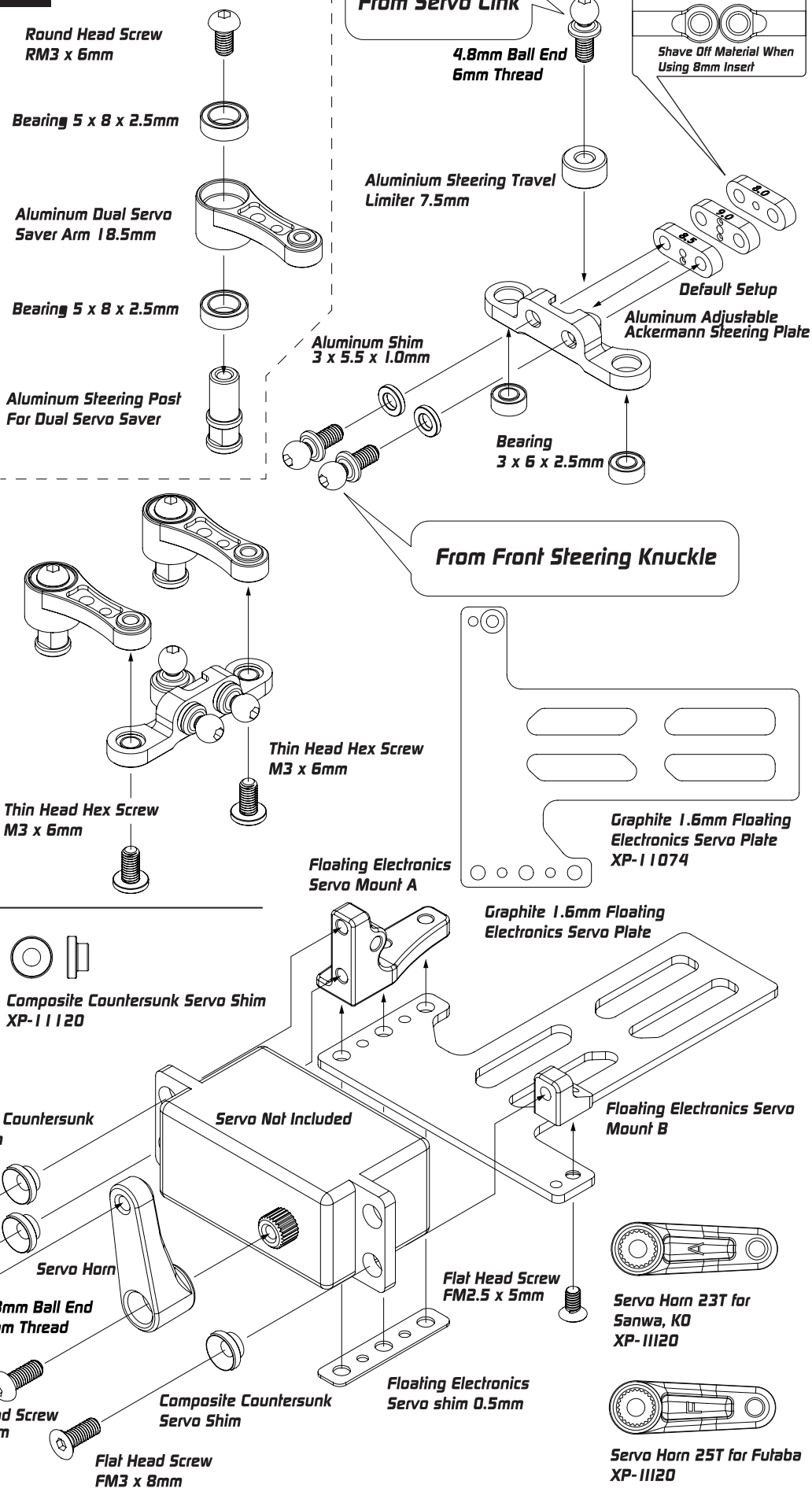


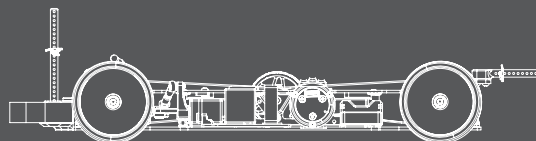


### Bag I, N, Carbon and HW Bag

**2X**

-  Flat Head Screw FM2.5 x 5mm  
XP-40261
-  Flat Head Screw FM3 x 8mm  
XP-40048
-  Round Head Screw RM3 x 6mm  
XP-40037
-  Round Head Screw RM3 x 8mm  
XP-40038
-  Aluminum Dual Servo Saver Arm 18.5mm  
XP-10650
-  Bearing 5 x 8 x 2.5mm  
XP-40061
-  Aluminum Steering Post For Dual Servo Saver  
XP-10112
-  Aluminum Steering Travel Limiter 7.5mm  
XP-11086
-  Thin Head Hex Screw M3 x 6mm  
XP-40264
-  Aluminum Adjustable Ackermann Steering Plate For Dual Servo Saver  
XP-11067
-  Bearing 3 x 6 x 2.5mm  
XP-40060
-  Aluminum Shim 3 x 5.5 x 1.0mm  
XP-10119 / XP-10240
-  Aluminum Adjustable Ackermann Steering Plate  
XP-11067

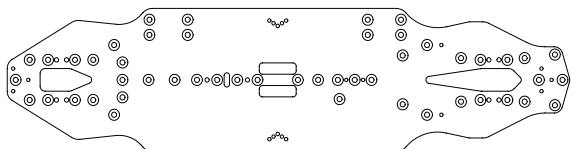




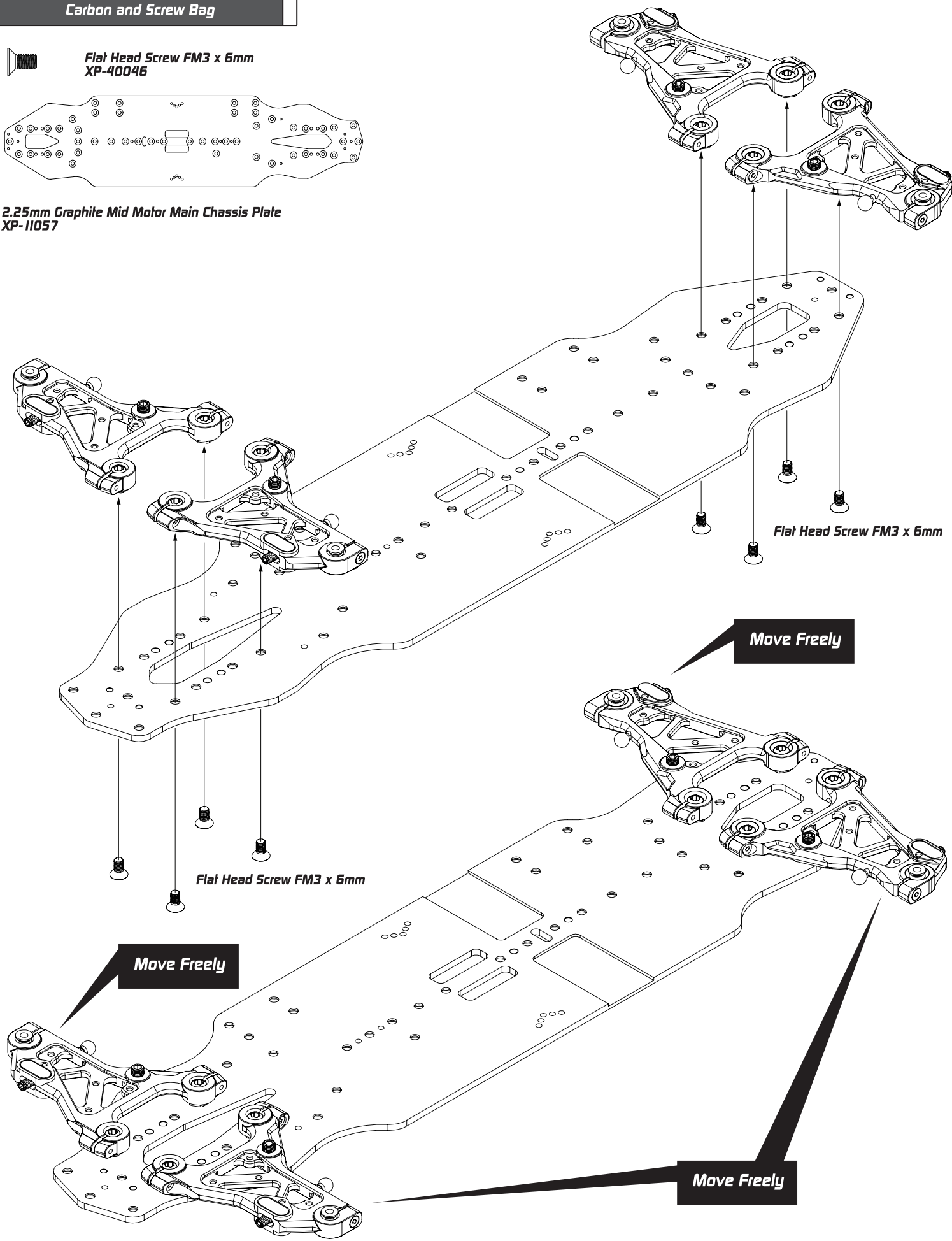
Carbon and Screw Bag

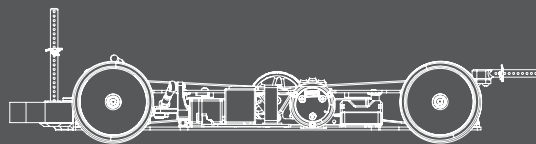


Flat Head Screw FM3 x 6mm  
XP-40046



2.25mm Graphite Mid Motor Main Chassis Plate  
XP-11057





### HW Bag



Flat Head Screw FM3 x 6mm  
XP-40046



Rear →

Note The Direction

Flat Head Screw FM3 x 6mm

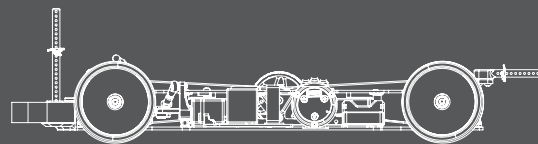
Move Freely

Flat Head Screw FM3 x 6mm

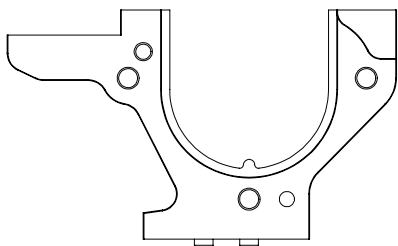
Move Freely

Move Freely

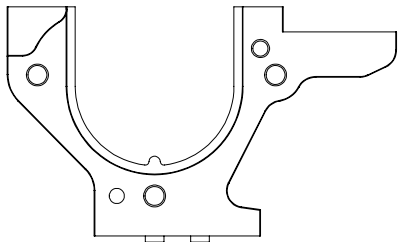
← Front  
Note The Direction



### Bag J and HW Bag



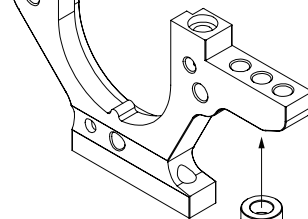
**Aluminum Separate Bulkhead Type A**  
XP-11059



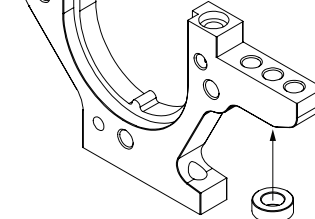
**Aluminum Separate Bulkhead Type B**  
XP-11060



**Aluminum Separate Bulkhead Type A**



**Aluminum Separate Bulkhead Type B**

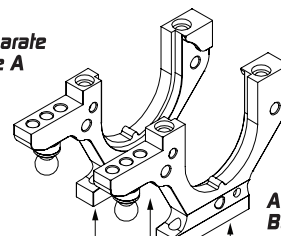


**Aluminum Shim 3x5.5x2.0mm**

**4.8mm Ball End 6mm Thread**

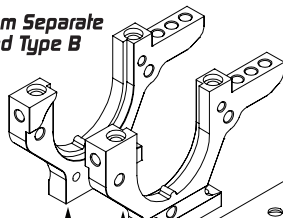
**From Rear Steering Block Link**

**Aluminum Separate Bulkhead Type A**

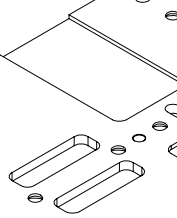


**Aluminum Separate Bulkhead Type B**

**Aluminum Separate Bulkhead Type B**

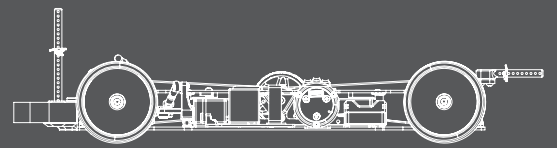


**Aluminum Separate Bulkhead Type A**



**Flat Head Screw FM3 x 6mm**

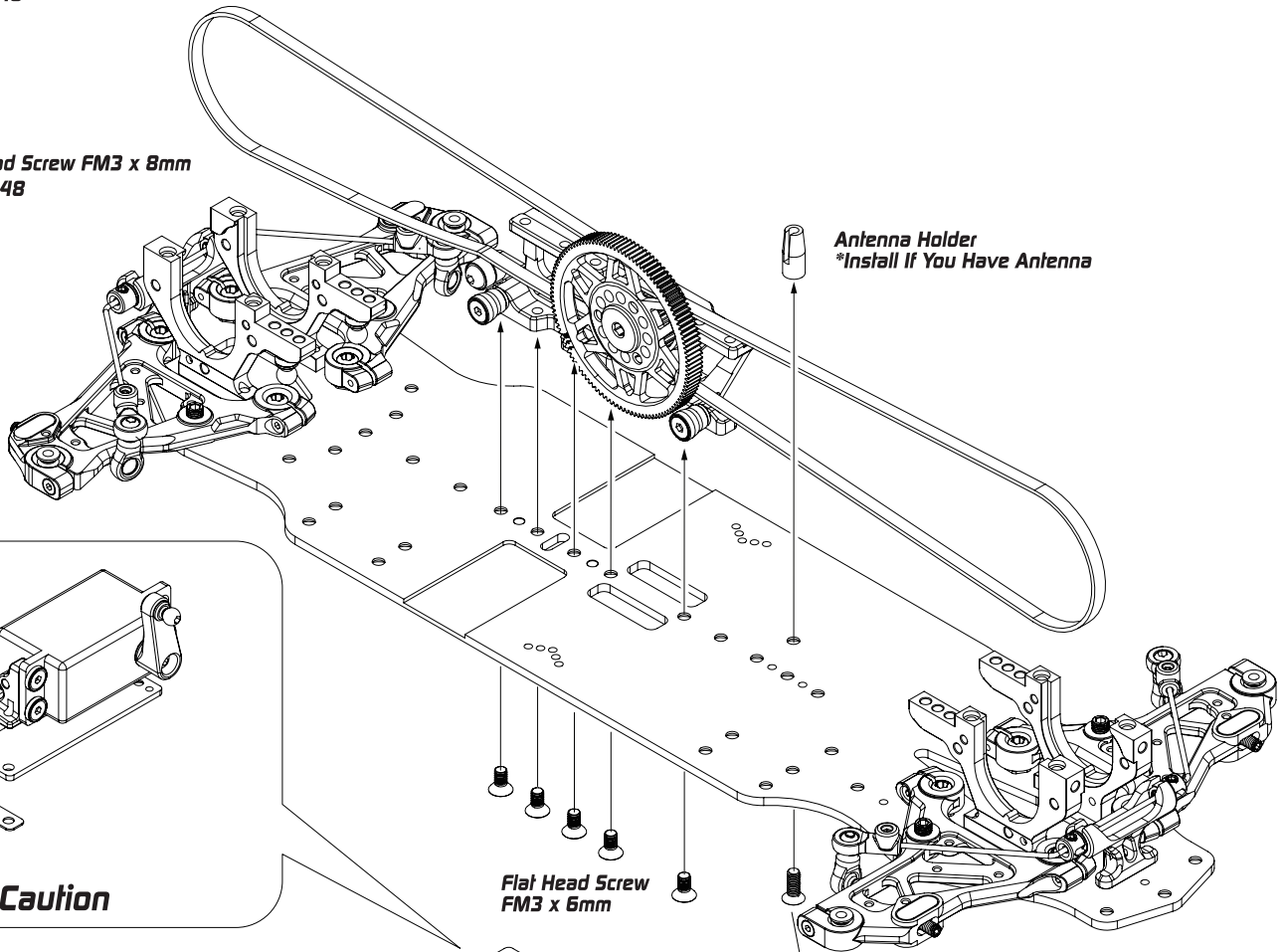
**Flat Head Screw FM3 x 6mm**



### Bag I, N and HW Bag

 Flat Head Screw FM3 x 6mm  
XP-40046

 Flat Head Screw FM3 x 8mm  
XP-40048

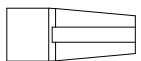


Antenna Holder  
\*Install if You Have Antenna

Flat Head Screw  
FM3 x 6mm

Flat Head Screw  
FM3 x 8mm

**Caution**

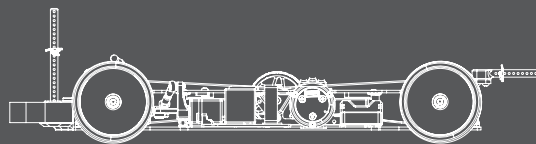


Antenna Holder XP-11120

Flat Head Screw  
FM3 x 8mm

Flat Head Screw  
FM3 x 6mm





Bag H, Bag N, Carbon and HW Bag

 **Round Head Screw RM3 x 6mm**  
XP-40037

 **Thin Head Hex Screw M3 x 6mm**  
XP-40264

 **Top Deck Screw**  
XP-10989

 **Spacer 3 x 5 x 0.2mm**  
XP-40066

 **Bearing 3 x 6 x 2.5mm**  
XP-40060

 **Composite Upper Deck Stiffener**  
XP-11120 Optional XP-10566

**Round Head Screw**  
RM3 x 6mm

**Thin Head Hex Screw**  
M3 x 6mm

**Spacer**  
3 x 5 x 0.2mm

**Bearing**  
3 x 6 x 2.5mm

**Spacer**  
3 x 5 x 0.2mm

**Flat Head Screw**  
FM3 x 6mm

**Composite Upper Deck Collar**  
For Flex Elimination

**Top Deck Screw**

**Round Head Screw**  
RM3 x 6mm

**Round Head Screw**  
RM3 x 6mm

**Composite Upper Deck Stiffener**

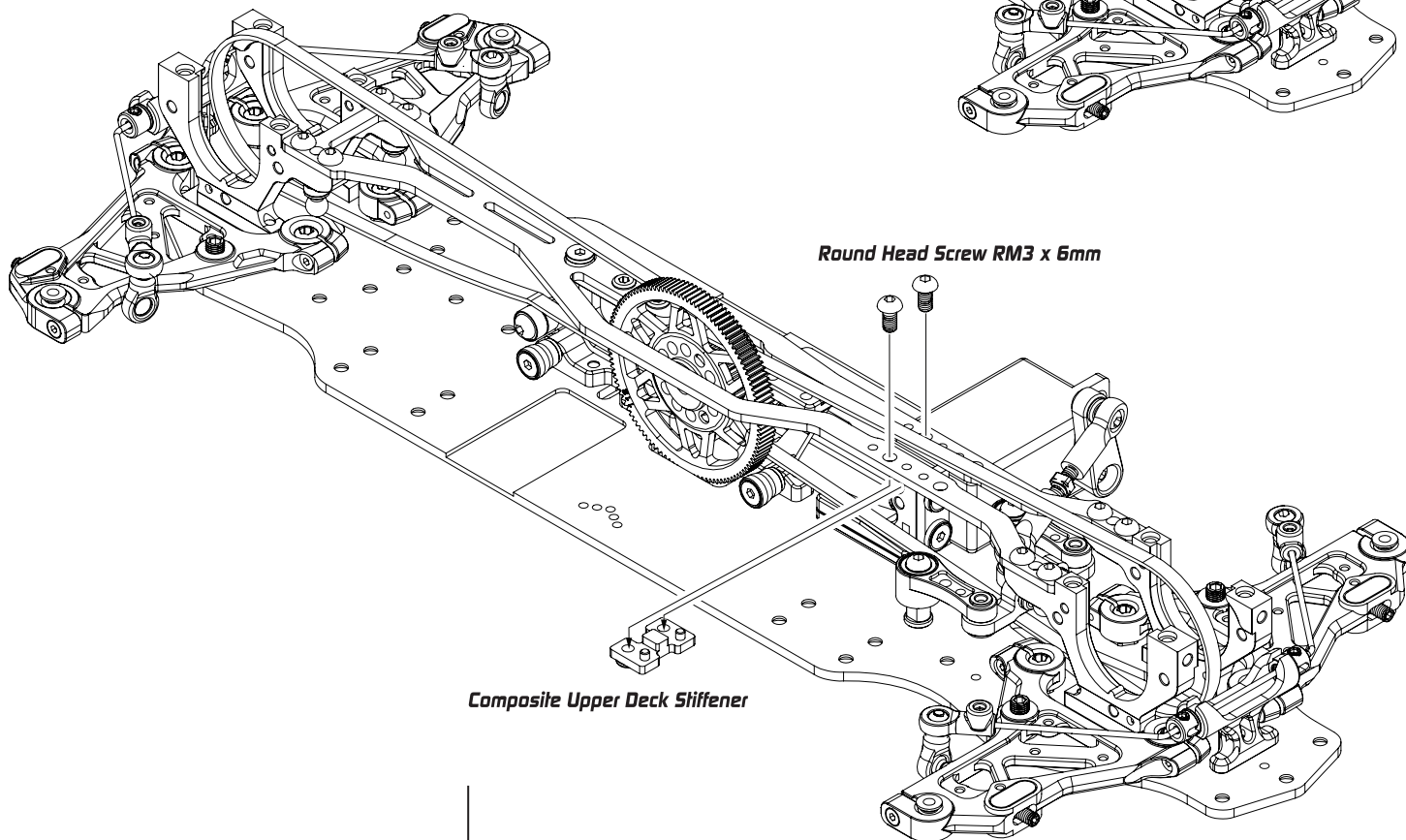
**Default Setup**

**2.0mm Graphite Top Deck**  
XP-11017

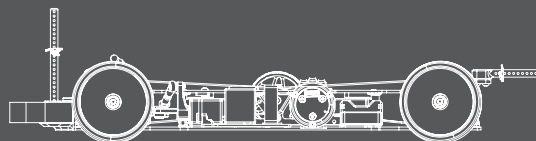
**Optional**

**2.0mm Graphite Split Upper Deck Front**  
XP-11096

**2.0mm Graphite Split Upper Deck Rear**  
XP-11111



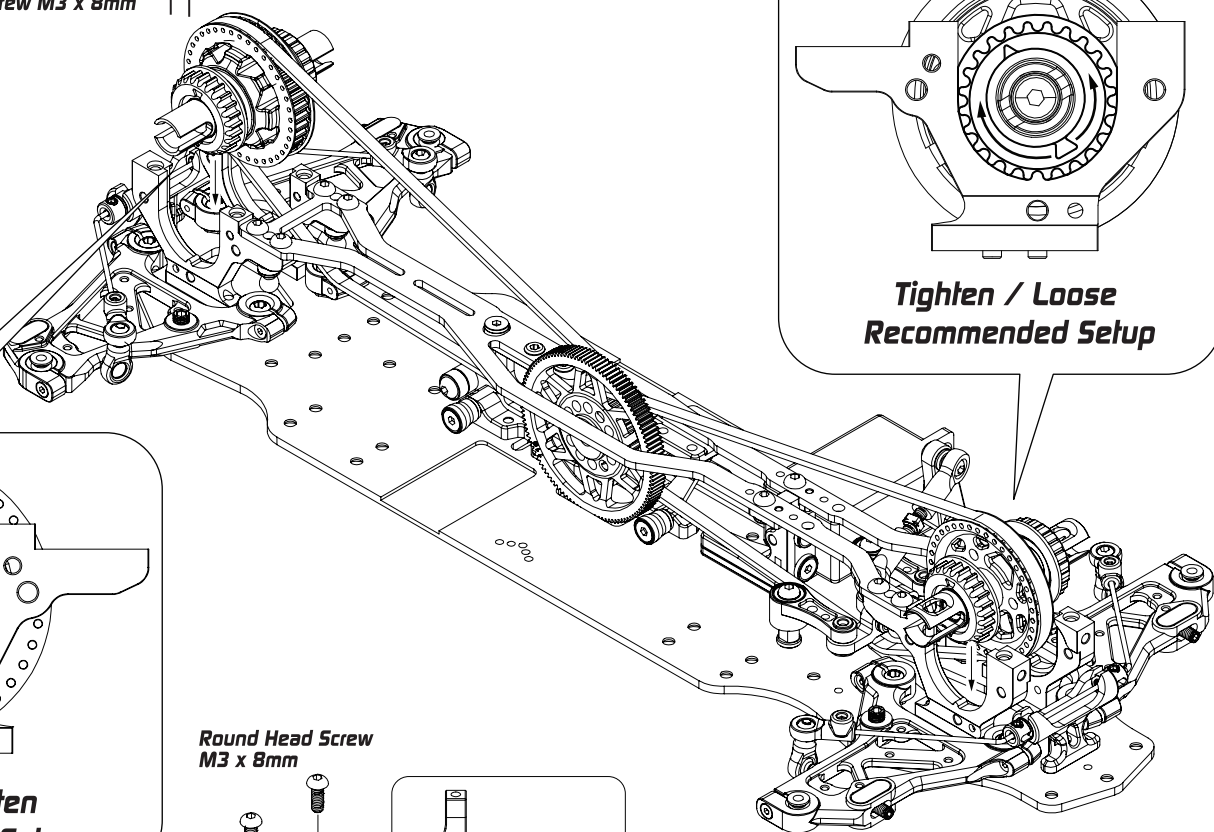
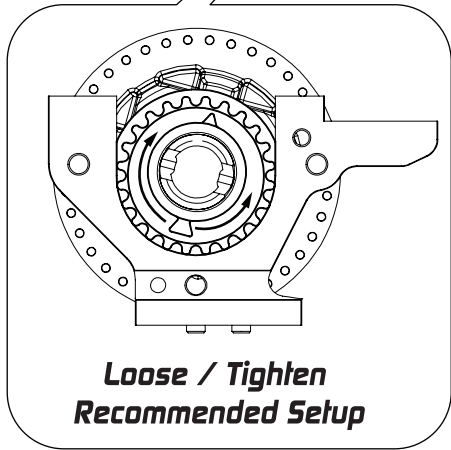
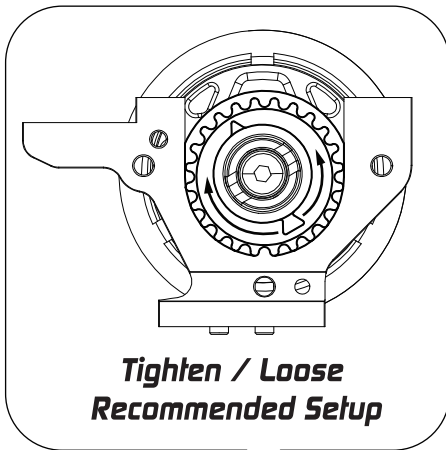




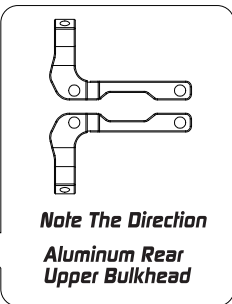
Bag J and HW Bag



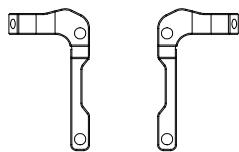
Round Head Screw M3 x 8mm  
XP-40038



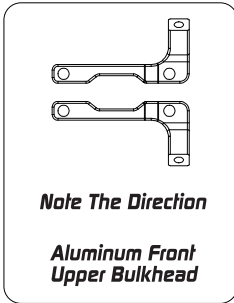
Round Head Screw  
M3 x 8mm



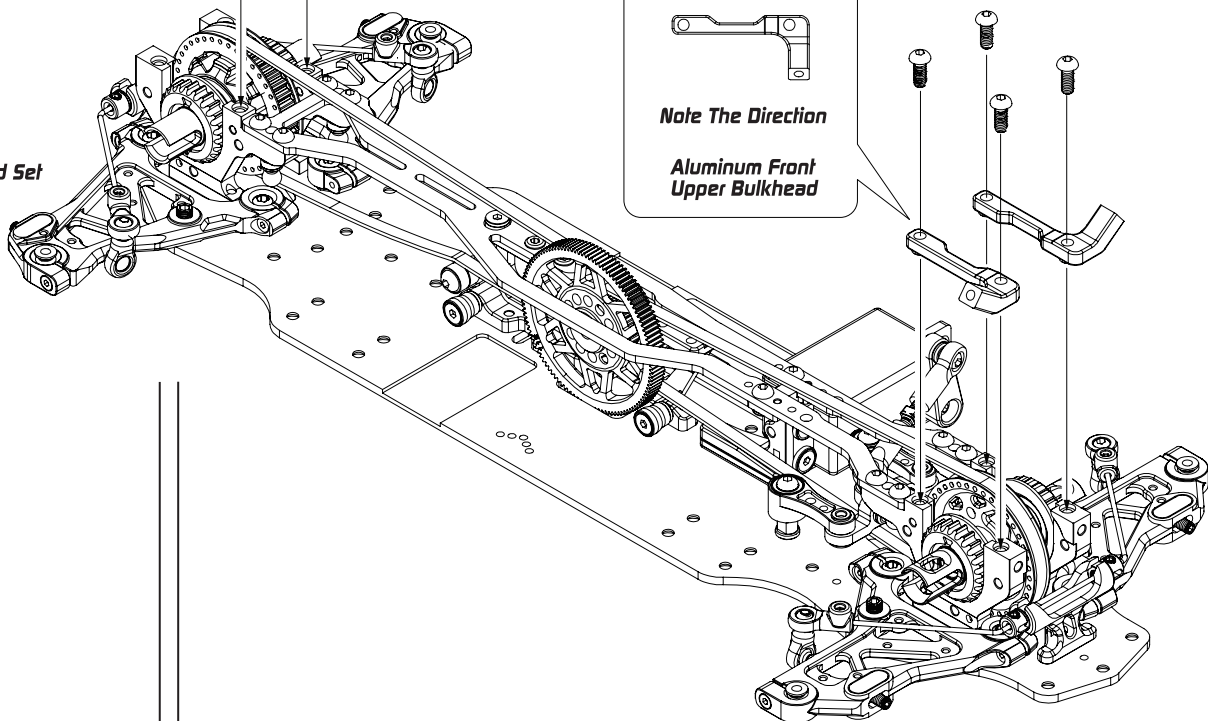
Aluminum Front Upper Bulkhead Set  
XP-11062

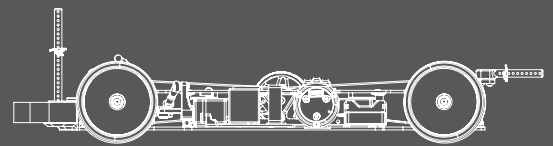


Aluminum Rear Upper Bulkhead Set  
XP-11063



Round Head Screw M3 x 8mm

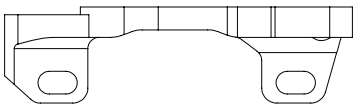
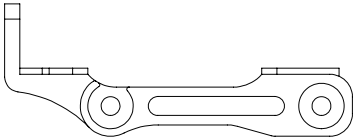




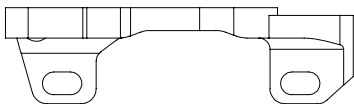
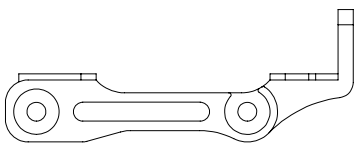
Bag J, Bag N and HW Bag

 **4.8mm Ball End 8mm Thread**  
XP-11124

 **Alu Shim 3 x 5.5 x 2mm**  
XP-10241



**Aluminum Camberlink Mount Type A**  
XP-11088

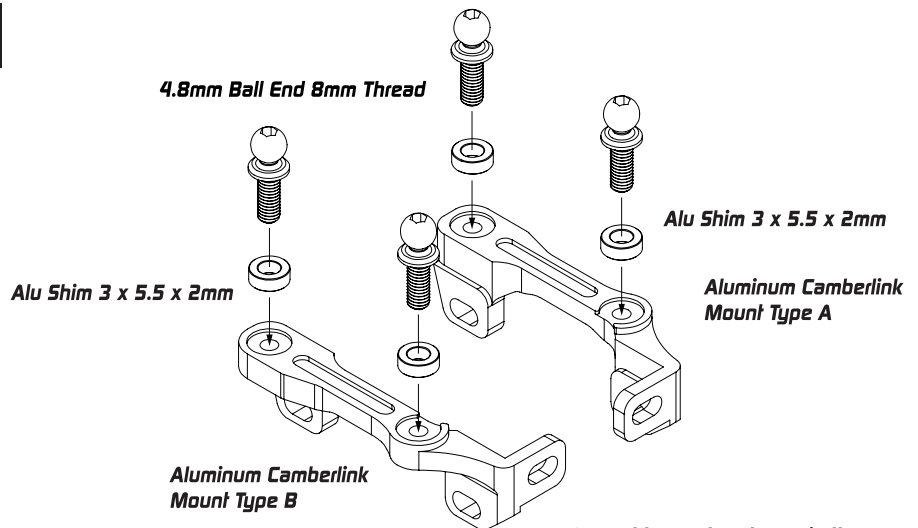


**Aluminum Camberlink Mount Type B**  
XP-11089

 **Hex Set Screw M3x10mm**  
XP-40055

 **Composite Body Support Brace**  
XP-11120

**2X**



*\*Assemble Front and Rear in the same way*

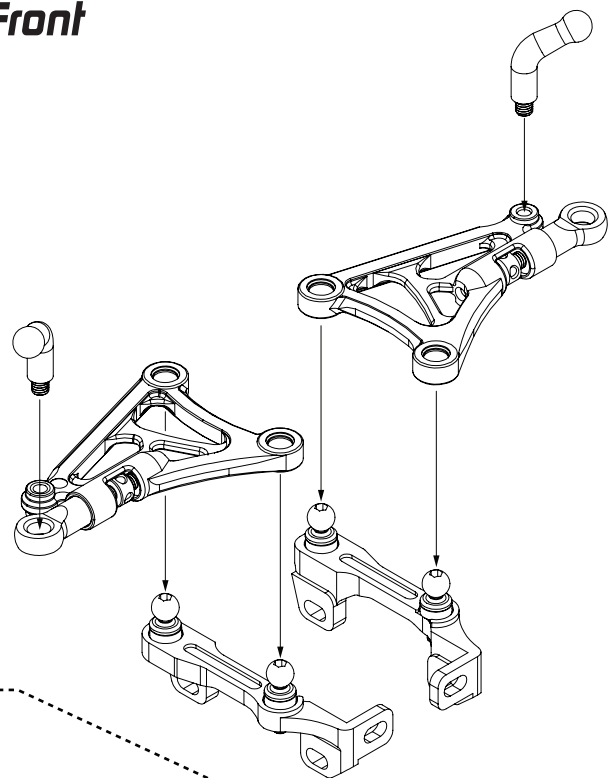
**2X**

**Front**

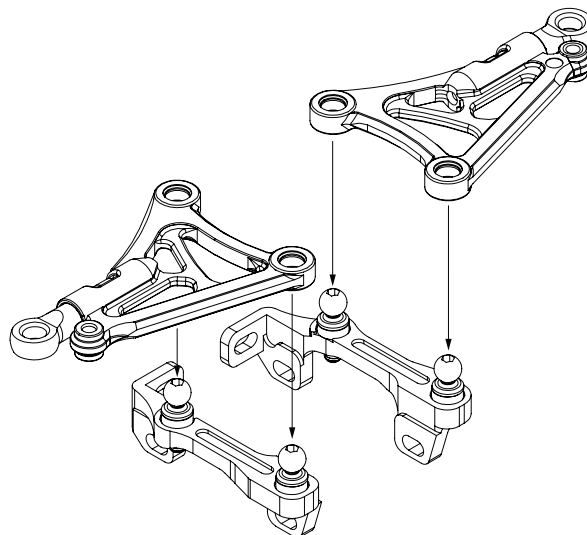
**Composite Body Support Brace**

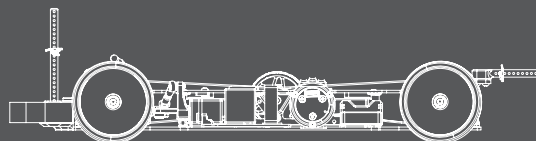


**Hex Set Screw M3x10mm**



**Rear**





Bag J and HW Bag

### Front

Round Head Screw  
RM3 x 8mm



Round Head Screw M3 x 8mm  
XP-40038

Round Head Screw  
RM3 x 6mm

Aluminum Shim 3 x 5.5 x 1.0mm

#### Caster Adjustment

0mm Shim = 6°

1mm Shim = 4°

(Default Setup)

2mm Shim = 2°



Round Head Screw RM3 x 6mm  
XP-40037



Aluminum Shim 3 x 5.5 x 1.0mm  
XP-10119 / XP-10240



Aluminum Shim 3 x 5.5 x 2mm  
XP-10241

Round Head Screw  
RM3 x 8mm

Round Head Screw  
RM3 x 8mm

Round Head Screw  
RM3 x 6mm

Aluminum Shim 3 x 5.5 x 2.0mm

#### Caster Adjustment

0mm Shim = 4°

1mm Shim = 2°

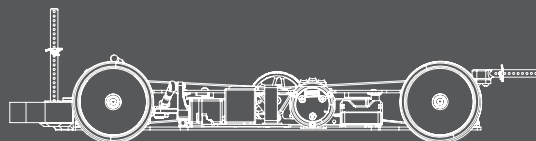
2mm Shim = 0°

(Default Setup)

### Rear

Round Head Screw  
RM3 x 6mm

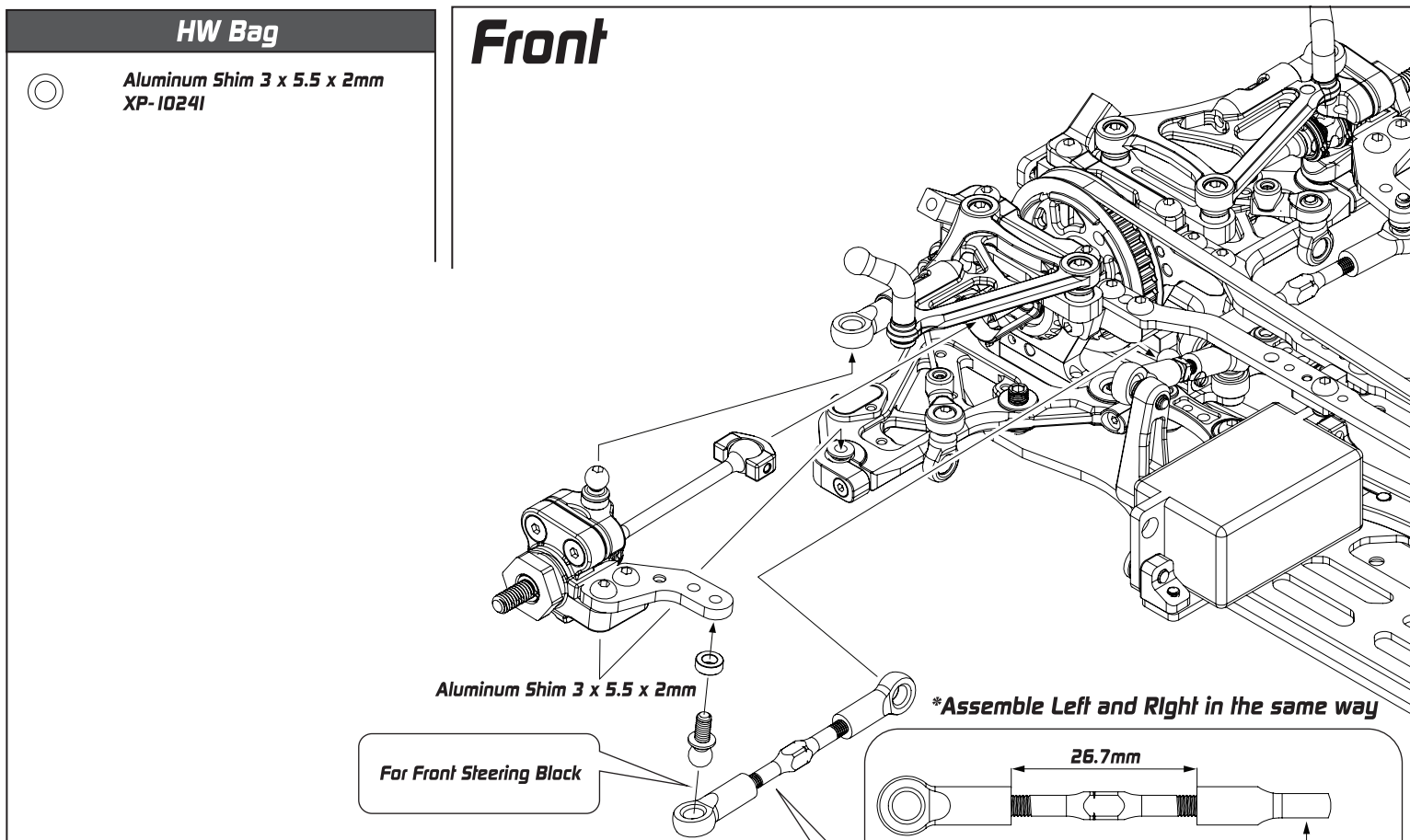
Round Head Screw  
RM3 x 8mm



### HW Bag

Aluminum Shim 3 x 5.5 x 2mm  
XP-10241

### Front



Aluminum Shim 3 x 5.5 x 2mm

For Front Steering Block

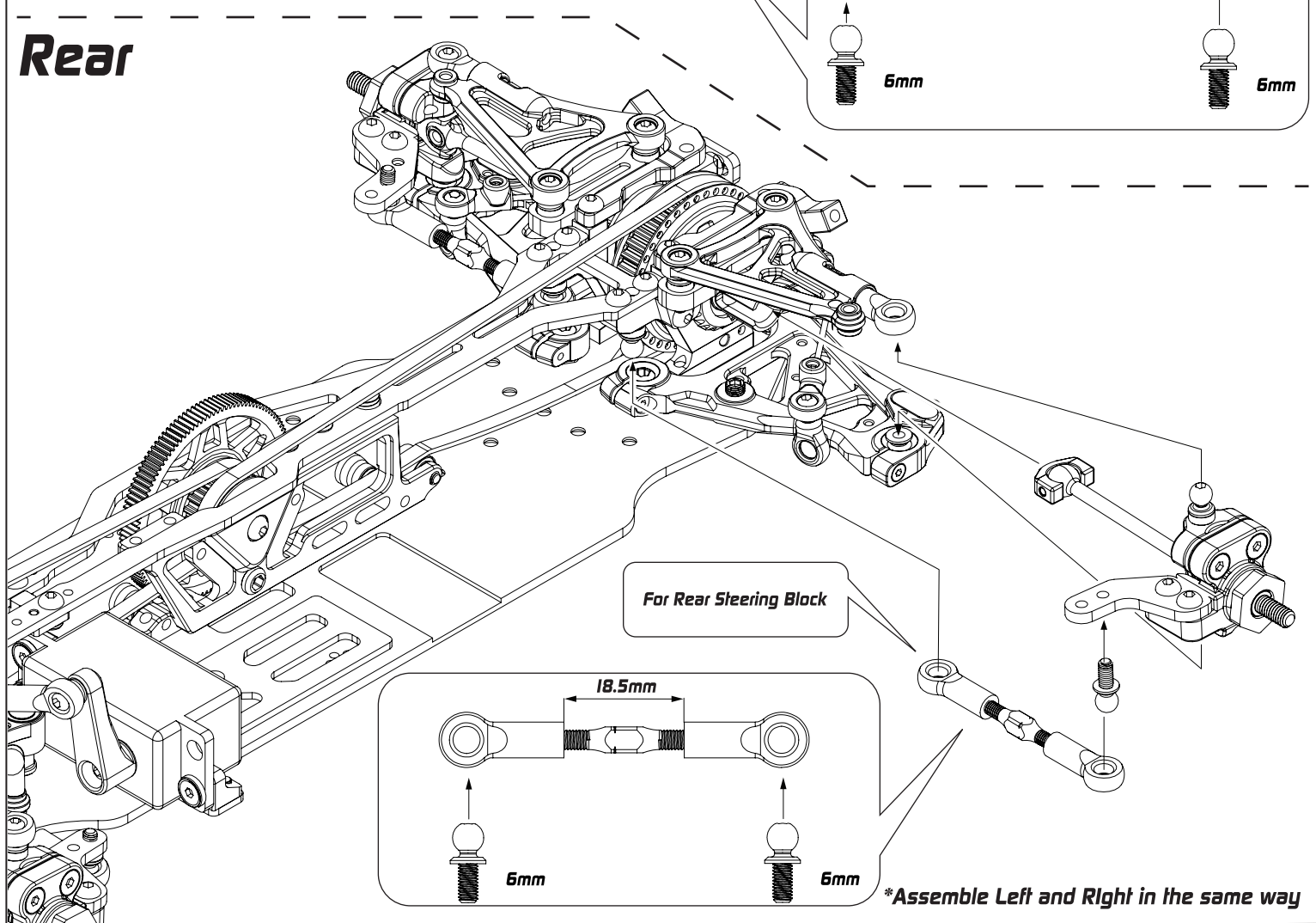
\*Assemble Left and Right in the same way

26.7mm

6mm

6mm

### Rear



For Rear Steering Block

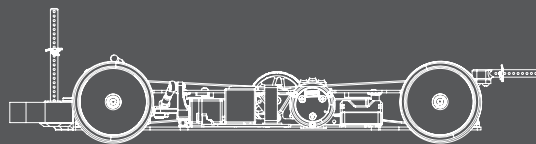
18.5mm

6mm

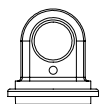
6mm

\*Assemble Left and Right in the same way





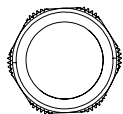
### Bag L and HW Bag



Long Travel Short Shock Composite Shock Top Connector XP-10724



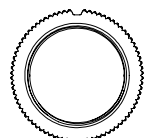
Long Travel Short Shock Lower Connector XP-10724



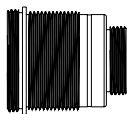
Alu Short Shock Cap XP-10578



Alu Lower Short Shock Cap XP-10579



Alu Short Shock Adjustable Nut XP-10580



Long Travel Alu Short Shock Body XP-10725  
Optional : XP-10718



Short Shock Shaft XP-10582



4 Hole Piston XP-10159



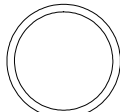
Shock Absorber Membrane XP-10986



E-Clip 2.5mm XP-40057



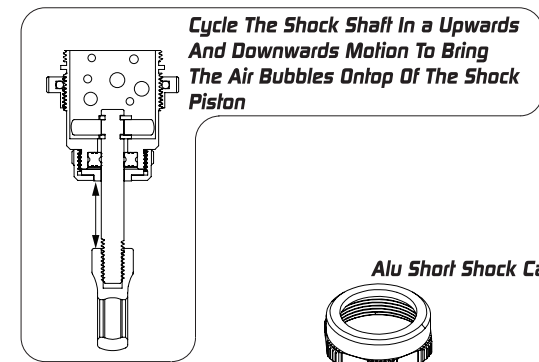
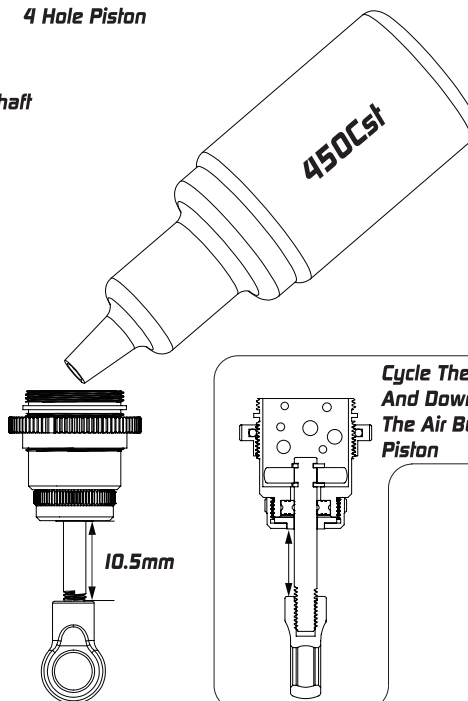
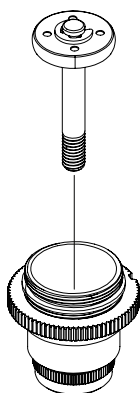
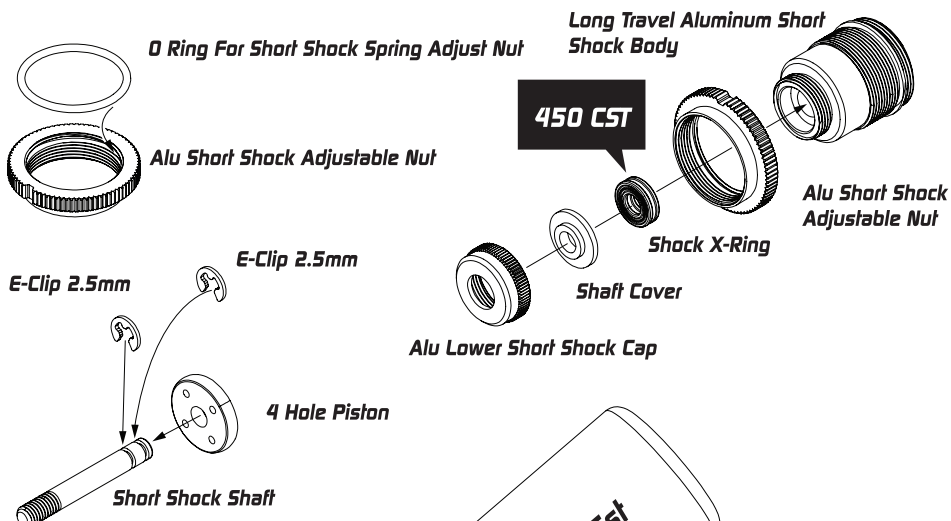
Shock X-Ring XP-10601



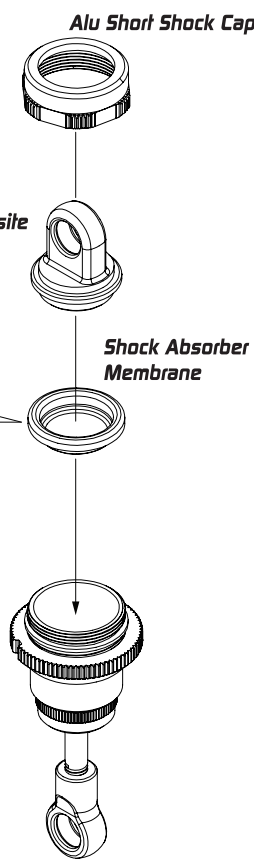
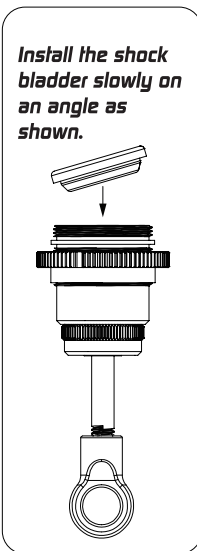
O Ring For Short Shock Spring Adjust Nut XP-10607

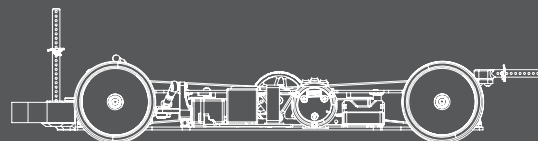


Shaft Cover XP-10159

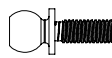
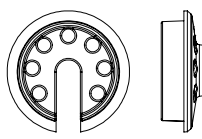
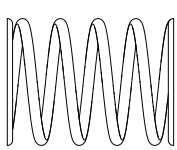
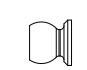




Long Travel Short Shock Composite Shock Top Connector

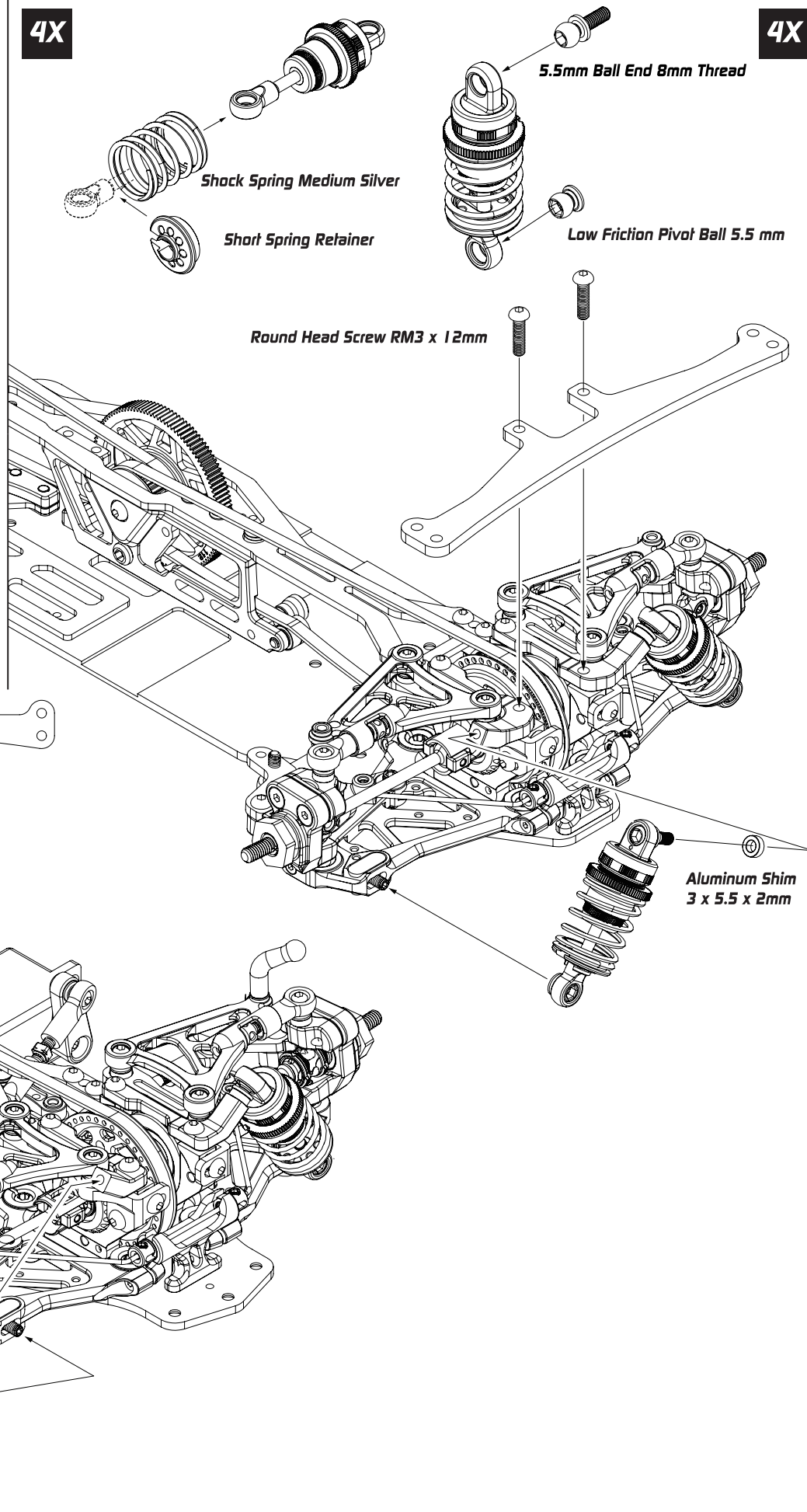




### Bag L and HW Bag

-  **5.5mm Ball End 8mm Thread**  
XP-11128
-  **Short Spring Retainer**  
XP-10724
-  **Shock Spring Medium Silver**  
XP-10169  
Optional  
XP-10168 (Soft)  
XP-10170 (Stiff)
-  **Low Friction Pivot Ball 5.5 mm**  
XP-11129  
Optional : XP-11073
-  **Round Head Screw RM3 x 12mm**  
XP-40040
-  **Aluminum Shim 3 x 5.5 x 2mm**  
XP-10241

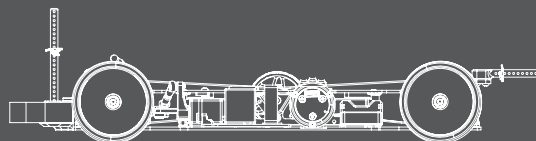
**4X**



**4X**




**3mm Graphite Rear Body Post Mount**  
XP-11095





### Bag M and HW Bag

-  Flat Head Screw M3 x 6mm  
XP-40046
-  Flat Head Screw M3 x 8mm  
XP-40048
-  Flat Head Screw M3 x 14mm  
XP-40114
-  Round Head Screw M3 x 12mm  
XP-40040

-  Composite Battery Holder Post  
For LCG Battery  
XP-10717
-  Battery Holder Spring  
XP-10717
-  Battery Holder Post  
XP-10717



Composite Battery  
Adaptor B

Composite Battery Holder Base B Back

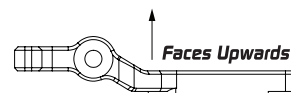
Flat Head Screw  
M3 x 6mm

Composite Battery  
Adaptor B

Flat Head Screw  
M3 x 6mm

Composite Battery Holder Base B Front

Note The Direction



Note The Direction



Flat Head Screw  
M3 x 8mm

Round Head Screw  
M3 x 12mm

Flat Head Screw  
M3 x 14mm

Hex Set Screw  
M3 x 4mm

Battery Holder Spring

Battery Holder Post

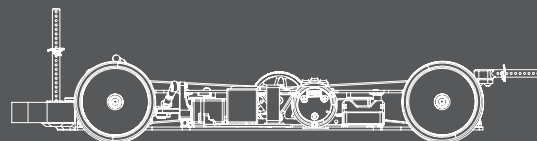
Composite Battery Holder

Composite Battery Holder Post  
For Standard Battery

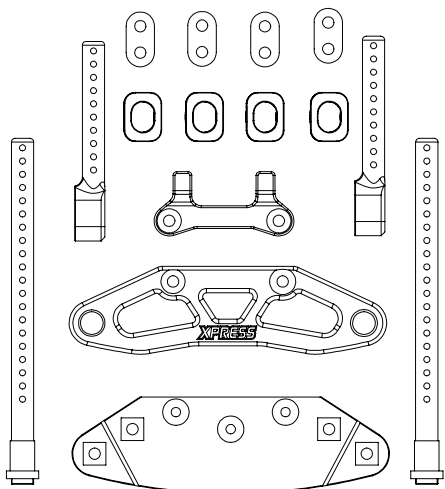
Composite Battery  
Holder Post  
For LCG Battery

Hold Battery Hook  
For Easier  
Installation

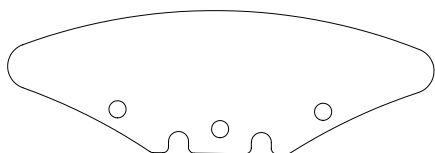
Pre-thread Post  
For Easy Installation



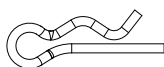
### HW Bag



**Low Profile Bumper Body Post Set V3**  
XP-11058



**Foam Bumer Light V2**  
XP-11050



**Body Clip**  
XP-10055

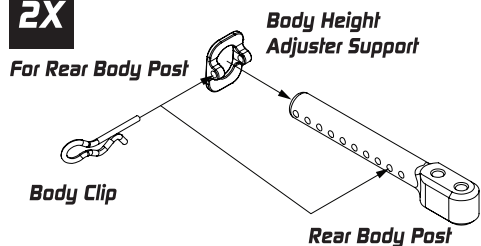


**Flat Head Screw M3 x 8mm**  
XP-40048



**Flat Head Screw M3 x 10mm**  
XP-40049

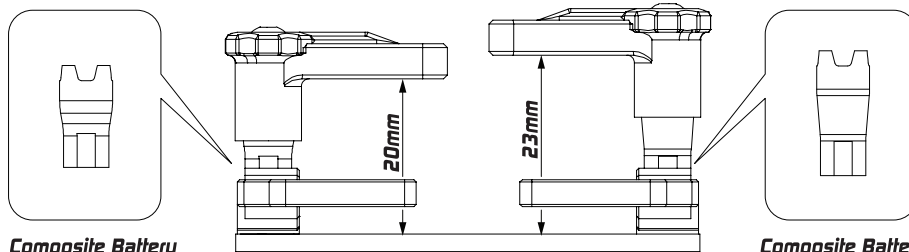
**2X**



**Front Body Post**

**Lower Bumper**

**Flat Head Screw M3 x 8mm**

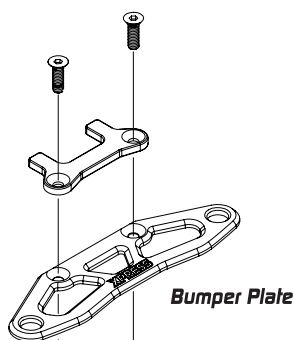


**Composite Battery Holder Post**  
For LCG Battery  
XP-10717

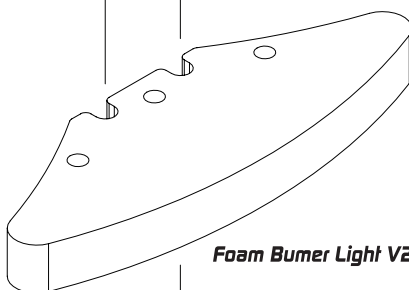
Freely Adjust Height Of Post With Shims,  
Change To a 16mm Screw If Needed

**Composite Battery Holder Post**  
For Standard Battery  
XP-10717

**Flat Head Screw M3 x 10mm**

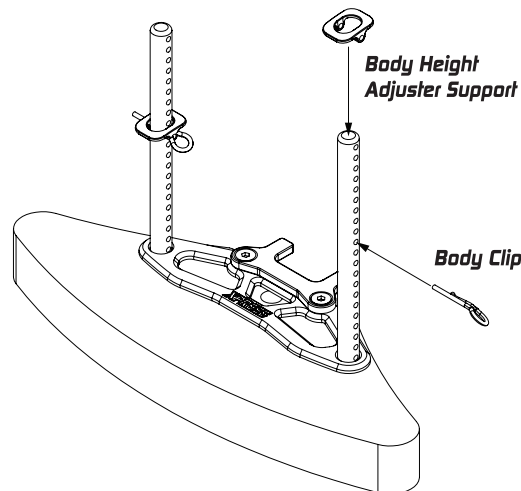


**Bumper Plate**



**Foam Bumer Light V2**

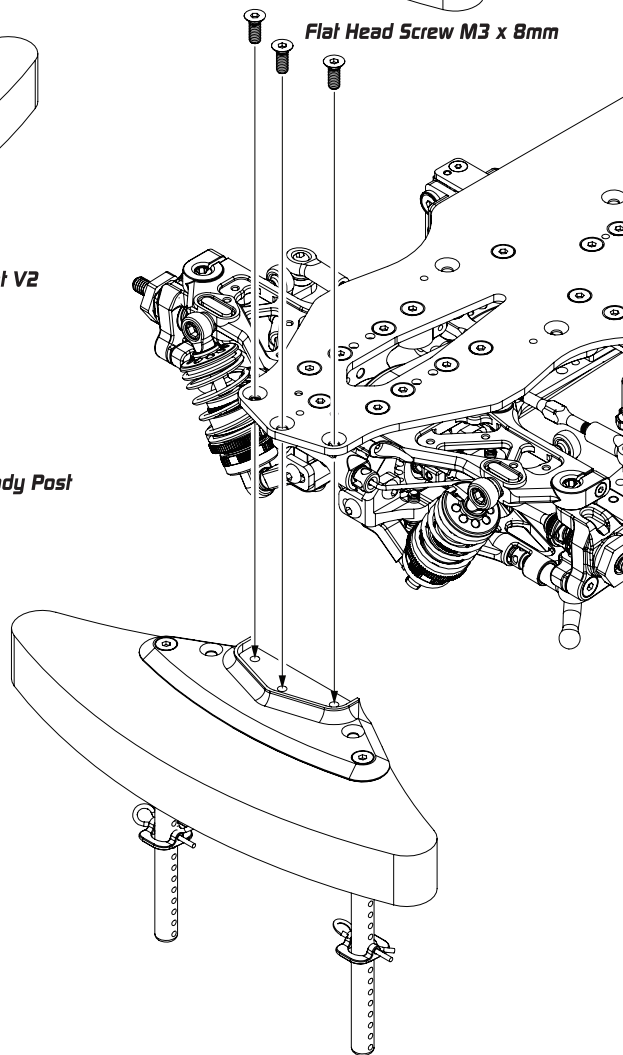
**Front Body Post**

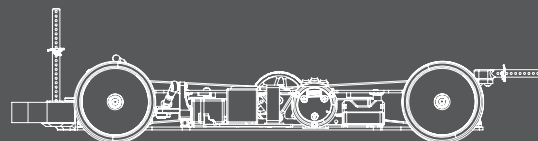


**Body Height Adjuster Support**

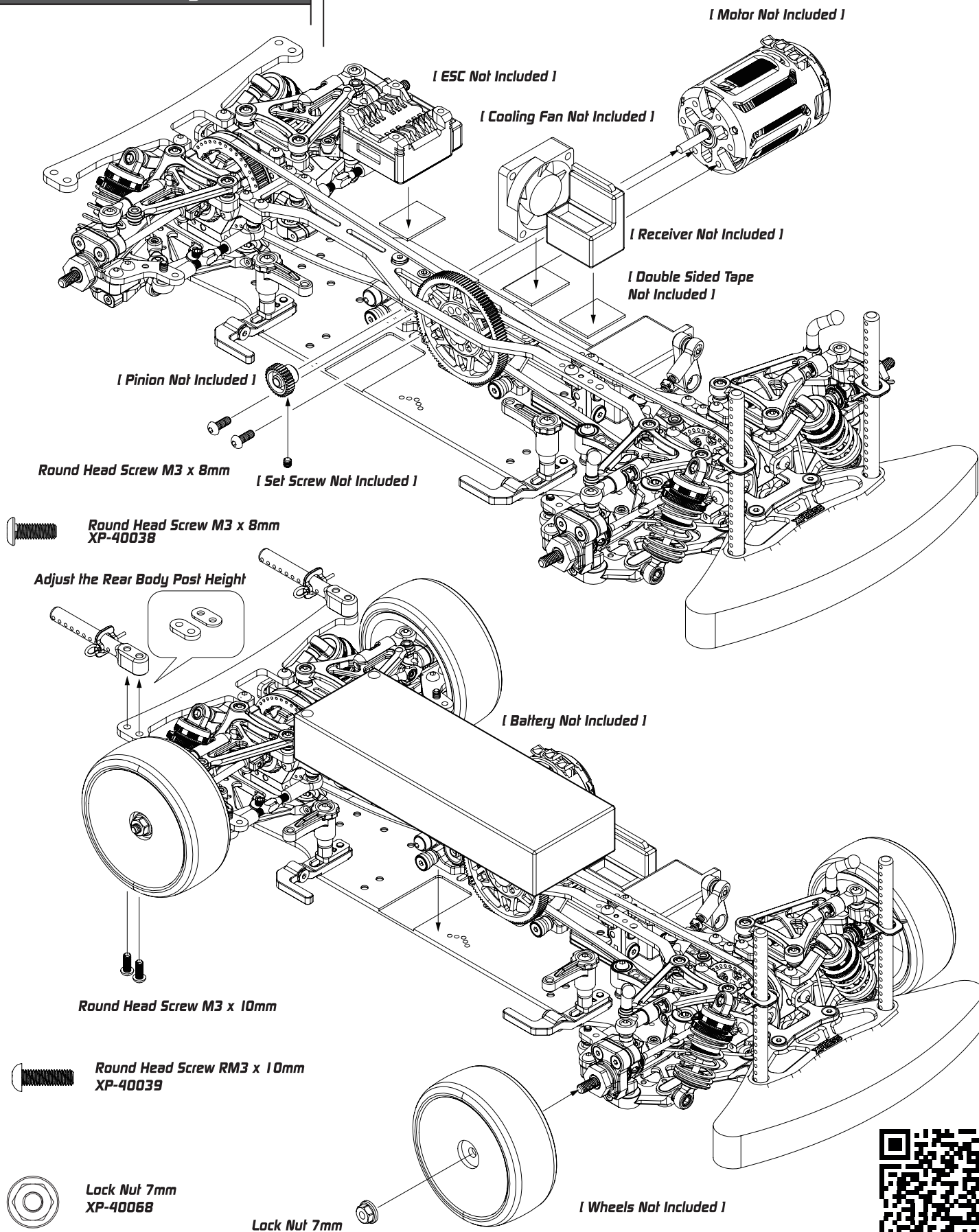
**Body Clip**

**Flat Head Screw M3 x 8mm**

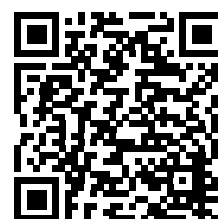




### Screw Bag



Latest Parts & Hop-Ups Information  
[www.rc-xpress.com/execute-xqii-parts](http://www.rc-xpress.com/execute-xqii-parts)





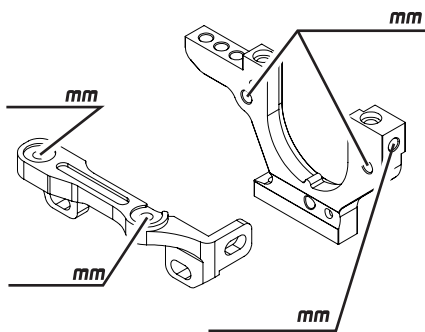
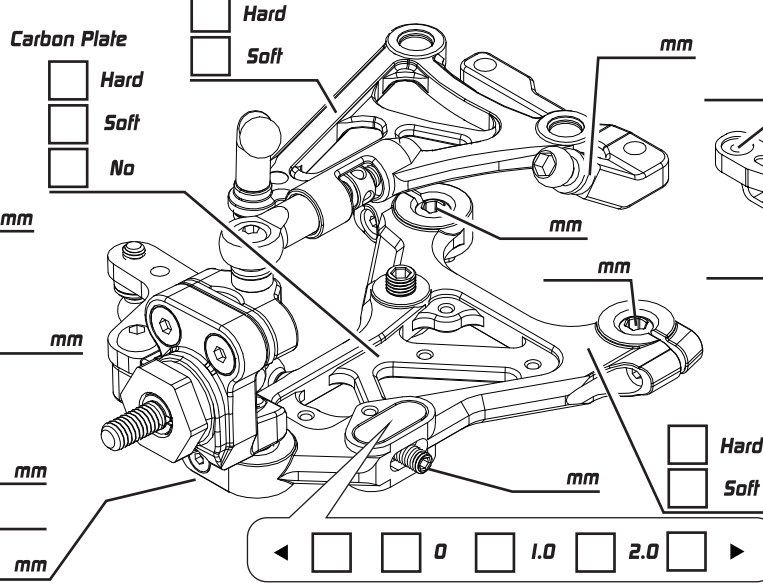
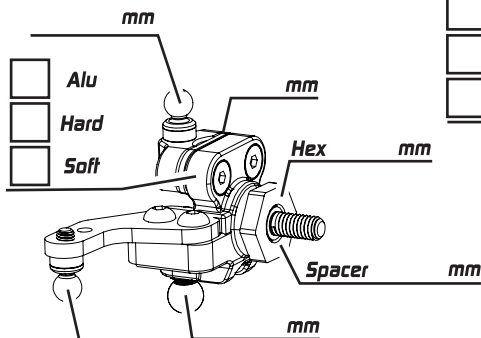


Driver \_\_\_\_\_ Track Surface \_\_\_\_\_ Track Temperature \_\_\_\_\_

Date \_\_\_\_\_ Track Traction \_\_\_\_\_ Result \_\_\_\_\_ Air Temperature \_\_\_\_\_

Track \_\_\_\_\_ Country \_\_\_\_\_ Best Lap \_\_\_\_\_ Humidity \_\_\_\_\_ Remark \_\_\_\_\_

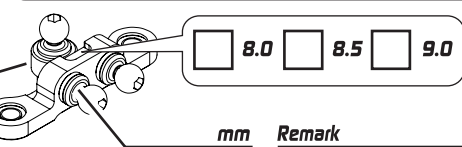
## Front



Ride Height \_\_\_\_\_ mm  
Camber \_\_\_\_\_ mm  
Toe \_\_\_\_\_ mm  
Downstop \_\_\_\_\_ mm

Spool  
 High Diff  
 Low Diff

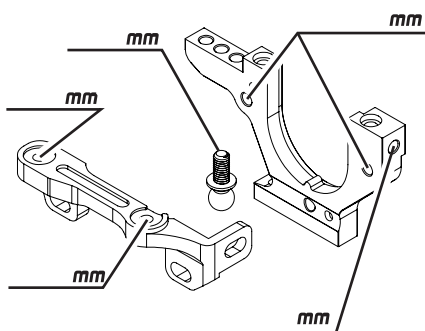
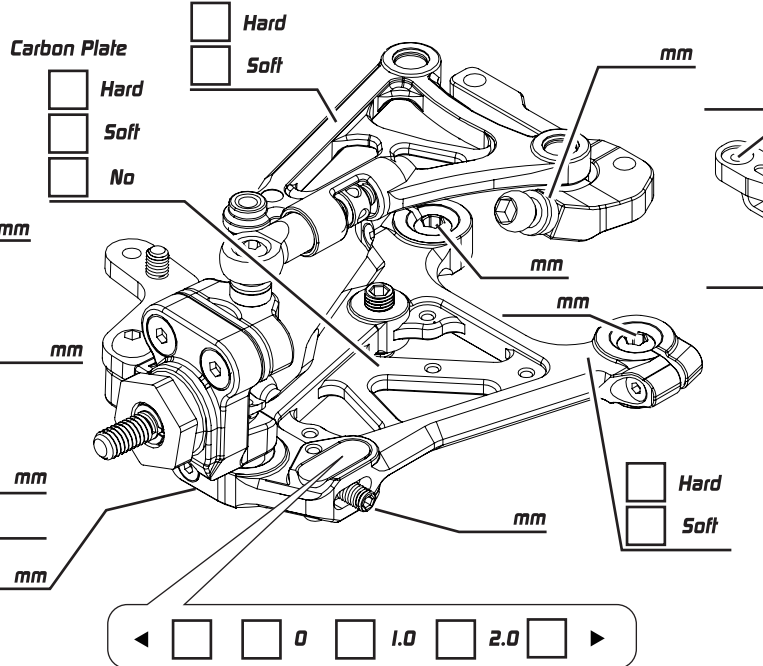
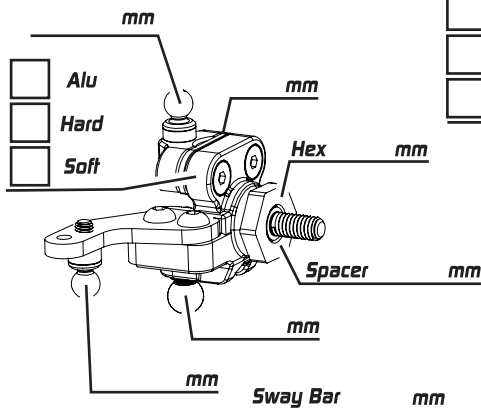
Gear Diff  
Cst \_\_\_\_\_  
Weight \_\_\_\_\_



## Shocks

Spring \_\_\_\_\_  
Oil \_\_\_\_\_  
Rebound \_\_\_\_\_  
Piston \_\_\_\_\_  
Length \_\_\_\_\_  
Note \_\_\_\_\_

## Rear



Ride Height \_\_\_\_\_ mm  
Camber \_\_\_\_\_ mm  
Toe \_\_\_\_\_ mm  
Downstop \_\_\_\_\_ mm

High Diff  
 Low Diff

Gear Diff \_\_\_\_\_  
Cst \_\_\_\_\_  
Weight \_\_\_\_\_

## Shocks

Spring \_\_\_\_\_  
Oil \_\_\_\_\_  
Rebound \_\_\_\_\_  
Piston \_\_\_\_\_  
Length \_\_\_\_\_  
Note \_\_\_\_\_

Weight \_\_\_\_\_ g

Battery \_\_\_\_\_

Body \_\_\_\_\_

Tires \_\_\_\_\_

Additive \_\_\_\_\_

ESC \_\_\_\_\_

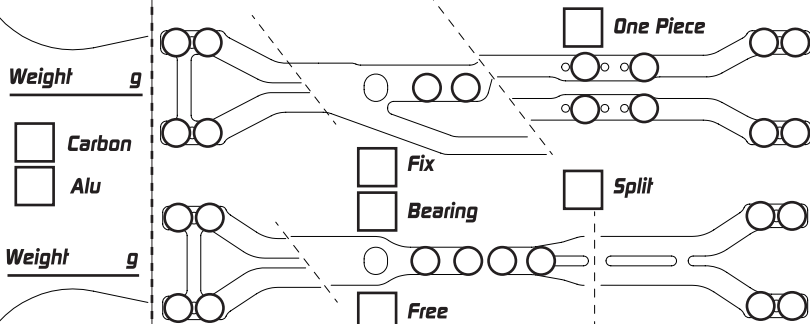
Motor \_\_\_\_\_

Spur \_\_\_\_\_ P/ \_\_\_\_\_ T \_\_\_\_\_ Servo \_\_\_\_\_ mm

Pinon \_\_\_\_\_ P/ \_\_\_\_\_ T \_\_\_\_\_ FDR \_\_\_\_\_

Weight \_\_\_\_\_ g

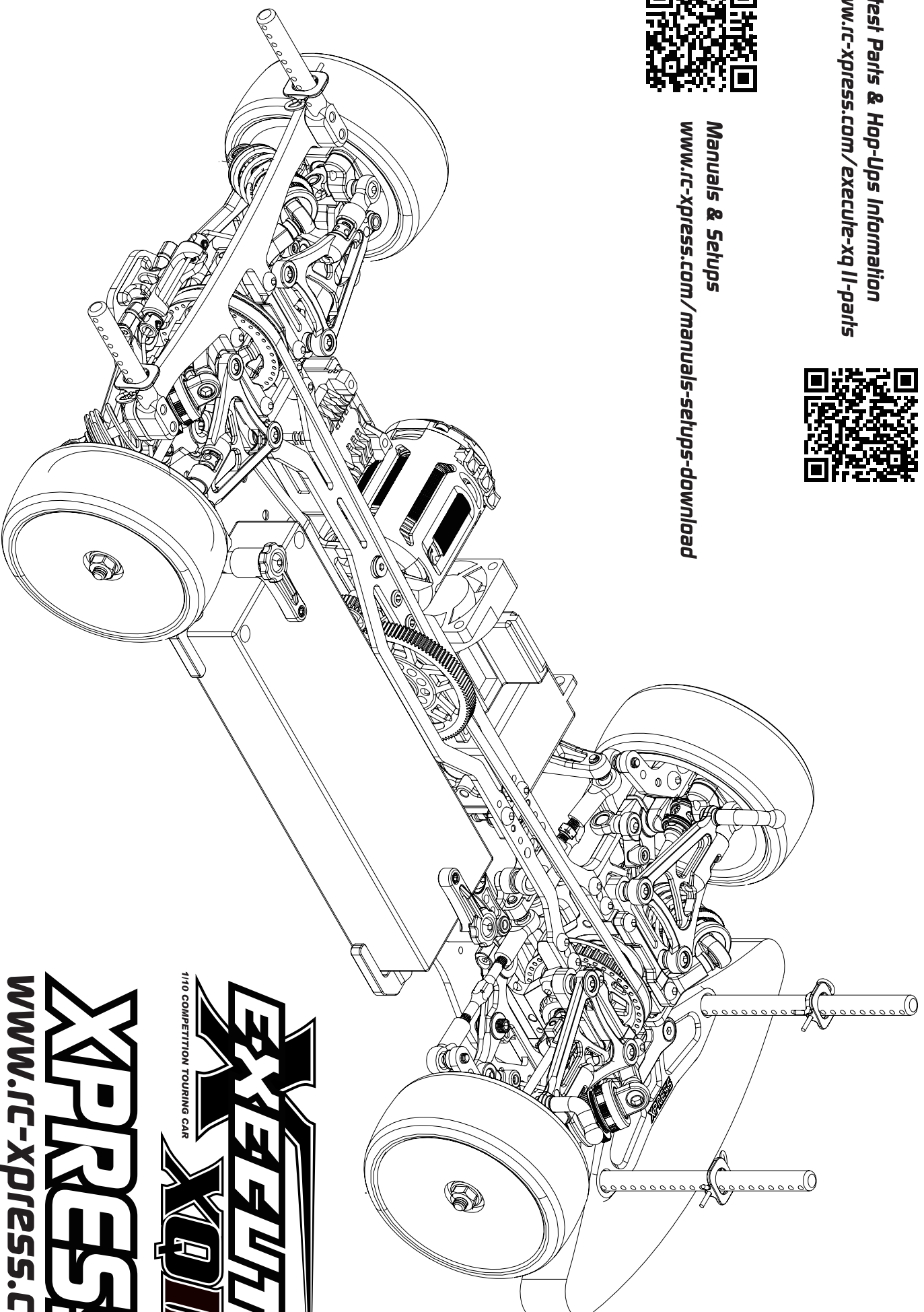
Weight \_\_\_\_\_ g



Latest Parts & Hop-Ups Information  
[www.rc-xpress.com/execute-xq-ii-parts](http://www.rc-xpress.com/execute-xq-ii-parts)



Manuals & Setups  
[www.rc-xpress.com/manuals-setups-download](http://www.rc-xpress.com/manuals-setups-download)



**EXECUTE**  
**XQ II**  
1/10 COMPETITION TOURING CAR

**XPRESS**  
[www.rc-xpress.com](http://www.rc-xpress.com)

