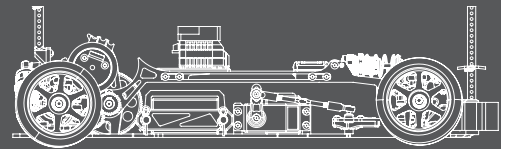
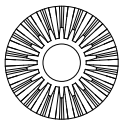


GripXero 1/10 High Performance RWD Drift Car **D1**

INSTRUCTION MANUAL



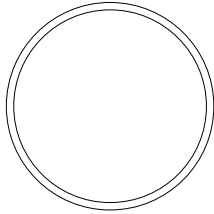
Bag A , Oil and Bearing Bag



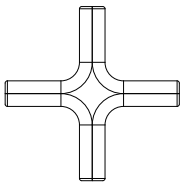
Bevel Gears 18T
XP-10009



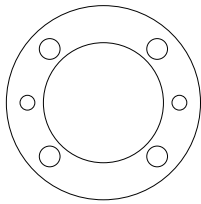
Bevel Gears 10T
XP-10009



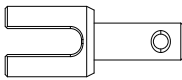
O-ring 25 x 1mm
XP-10183



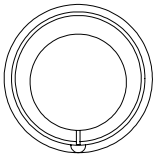
Gear Diff Cross Pin
XP-10009



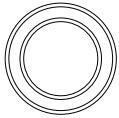
Diff Gasket
XP-10179



Alu Gear Diff Outdrive Adapter
XP-10125



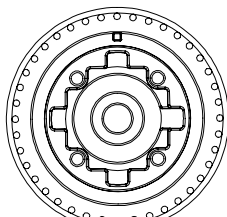
Composite Adjustment
Ball-Bearing Hub
XP-10002



Bearing 10 x 15 x 4mm
XP-40065



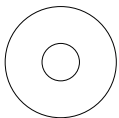
O-ring 5 x 2mm
XP-10184



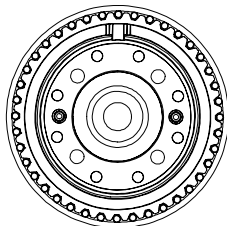
Gear Differential Case
XP-10008



Pin 2 x 9.8mm
XP-40069



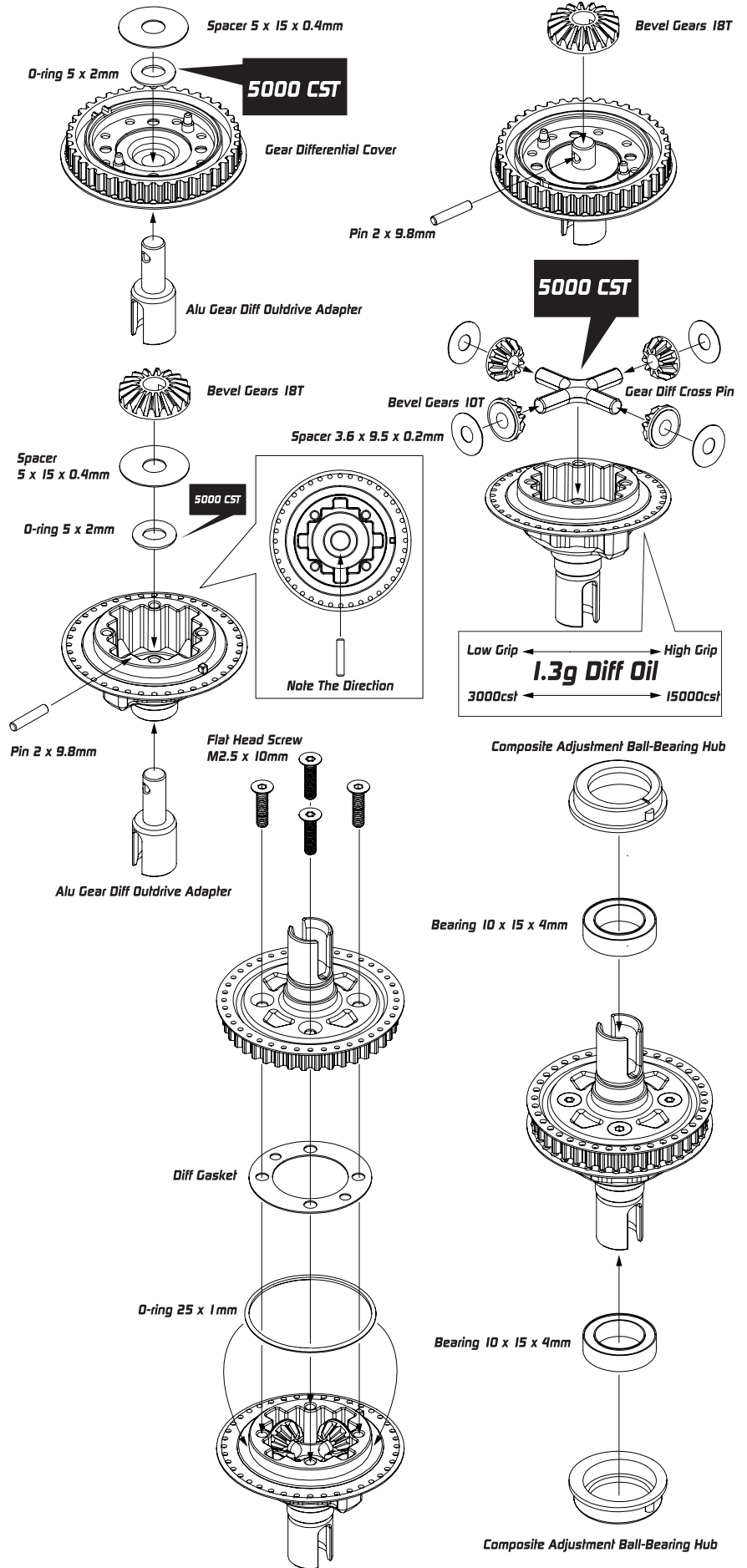
Spacer 5 x 15 x 0.4mm
XP-10181

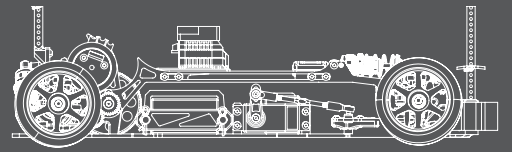


Gear Differential Cover
XP-10008

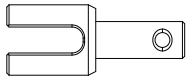


Spacer 3.6 x 9.5 x 0.2mm
XP-10182





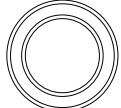
Bag A , Oil and Bearing Bag



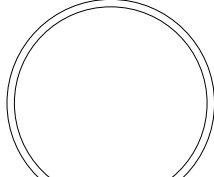
Alu Gear Diff Outdrive Adapter
XP-10125



Flat Head Screw M2.5 x 10mm
XP-40044



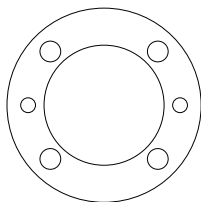
Bearing 10 x 15 x 4mm
XP-40065



O-ring 25 x 1mm
XP-10183



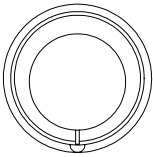
O-ring 5 x 2mm
XP-10184



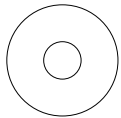
Diff Gasket
XP-10179



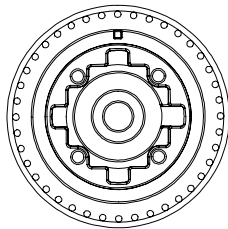
Pin 2 x 9.8mm
XP-40069



Composite Adjustment
Ball-Bearing Hub
XP-10002



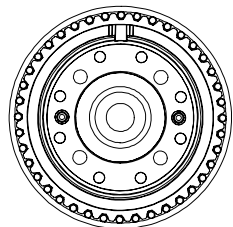
Spacer 5 x 15 x 0.4mm
XP-10181



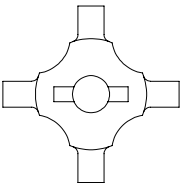
Gear Differential Case
XP-10008



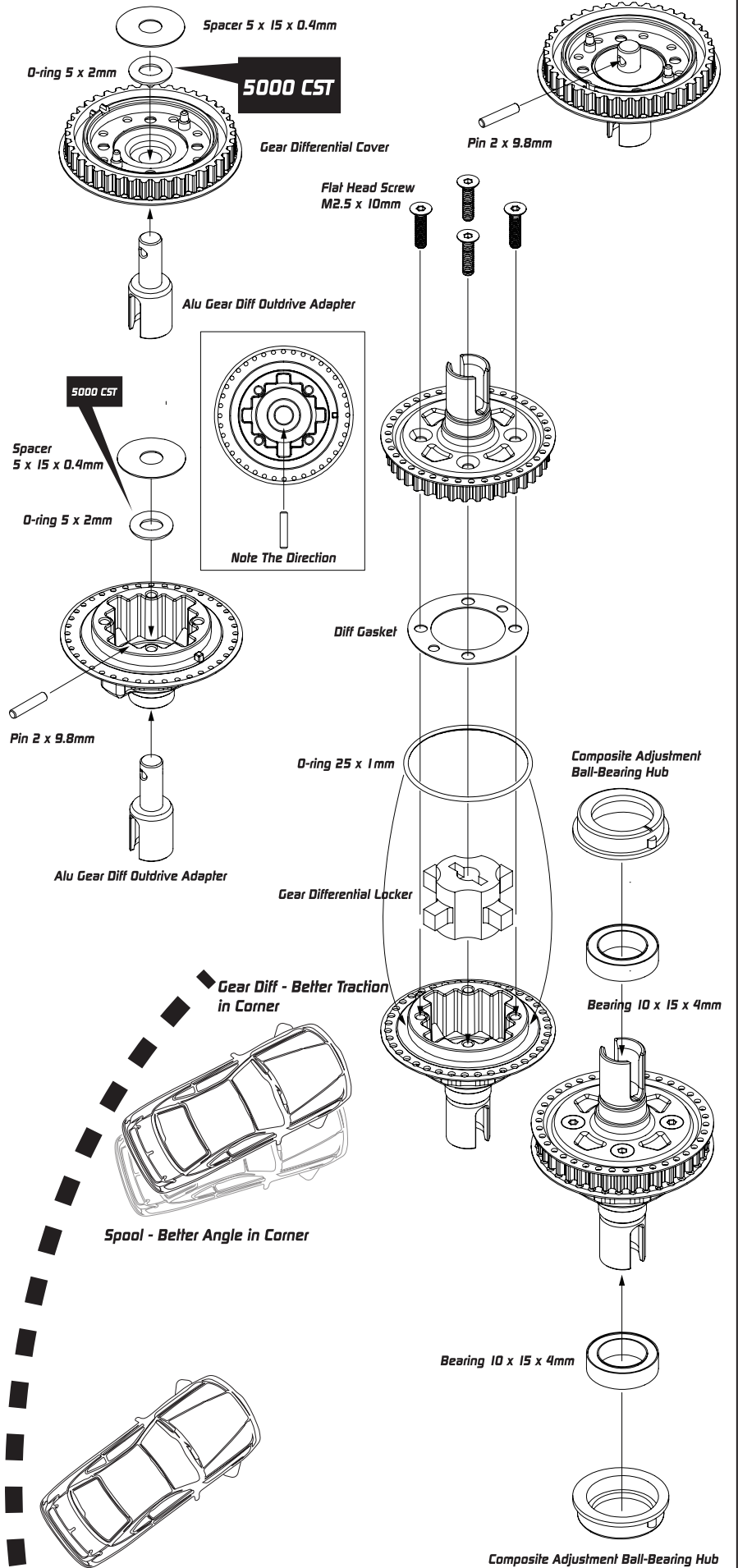
Spacer 3.6 x 9.5 x 0.2mm
XP-10182

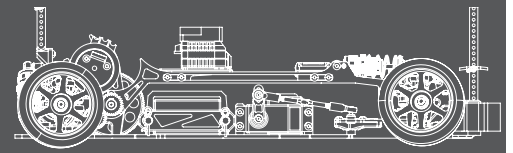


Gear Differential Cover
XP-10008

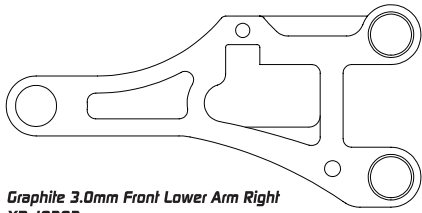


Gear Differential Locker
XP-10009

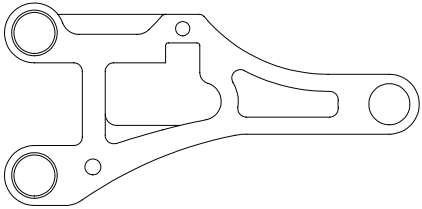




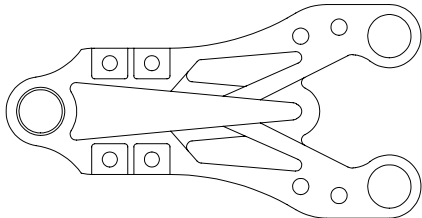
Bag B , Ball Bag



Graphite 3.0mm Front Lower Arm Right
XP-10202



Graphite 3.0mm Front Lower Arm Left
XP-10201



Graphite 3.0mm Rear Lower Arm
XP-10203



Lower Damper Mount Front
XP-10012



Lower Damper Mount Rear
XP-10012



4.8mm Ball 3.5mm Thread
XP-10042



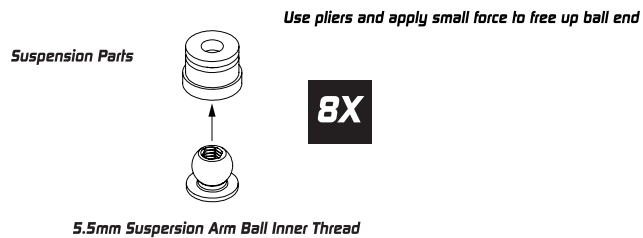
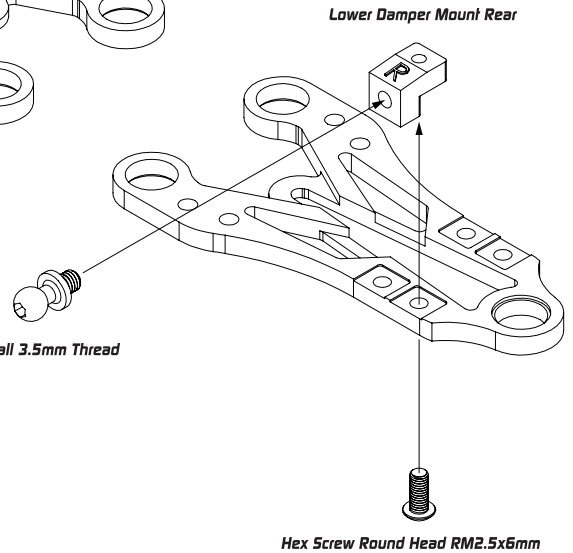
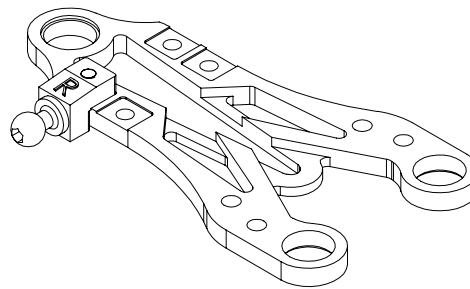
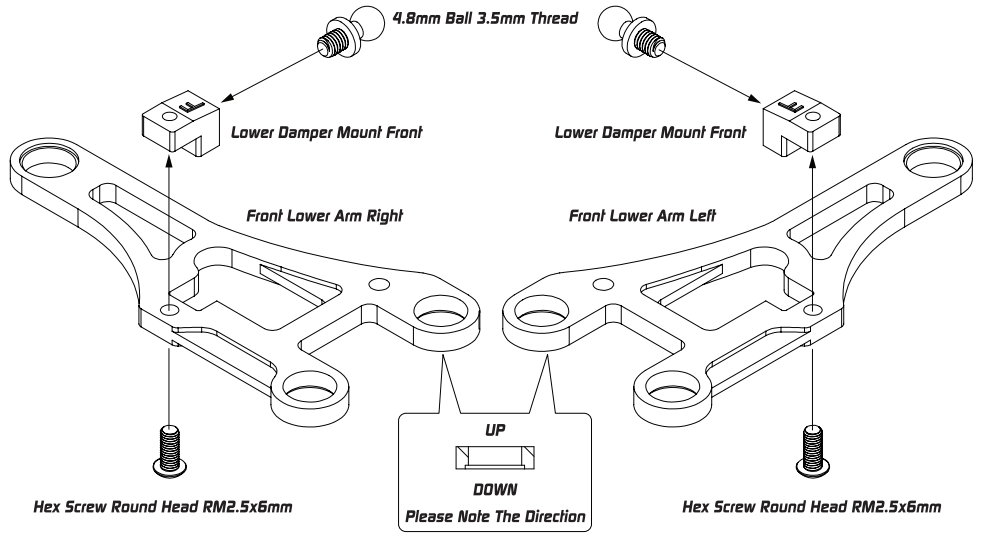
Hex Screw Round Head RM2.5x6mm
XP-40035

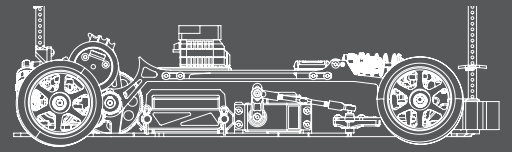


Suspension Parts
XP-10003



5.5mm Suspension Arm Ball Inner Thread
XP-10046





Bag B, C and Screw Bag



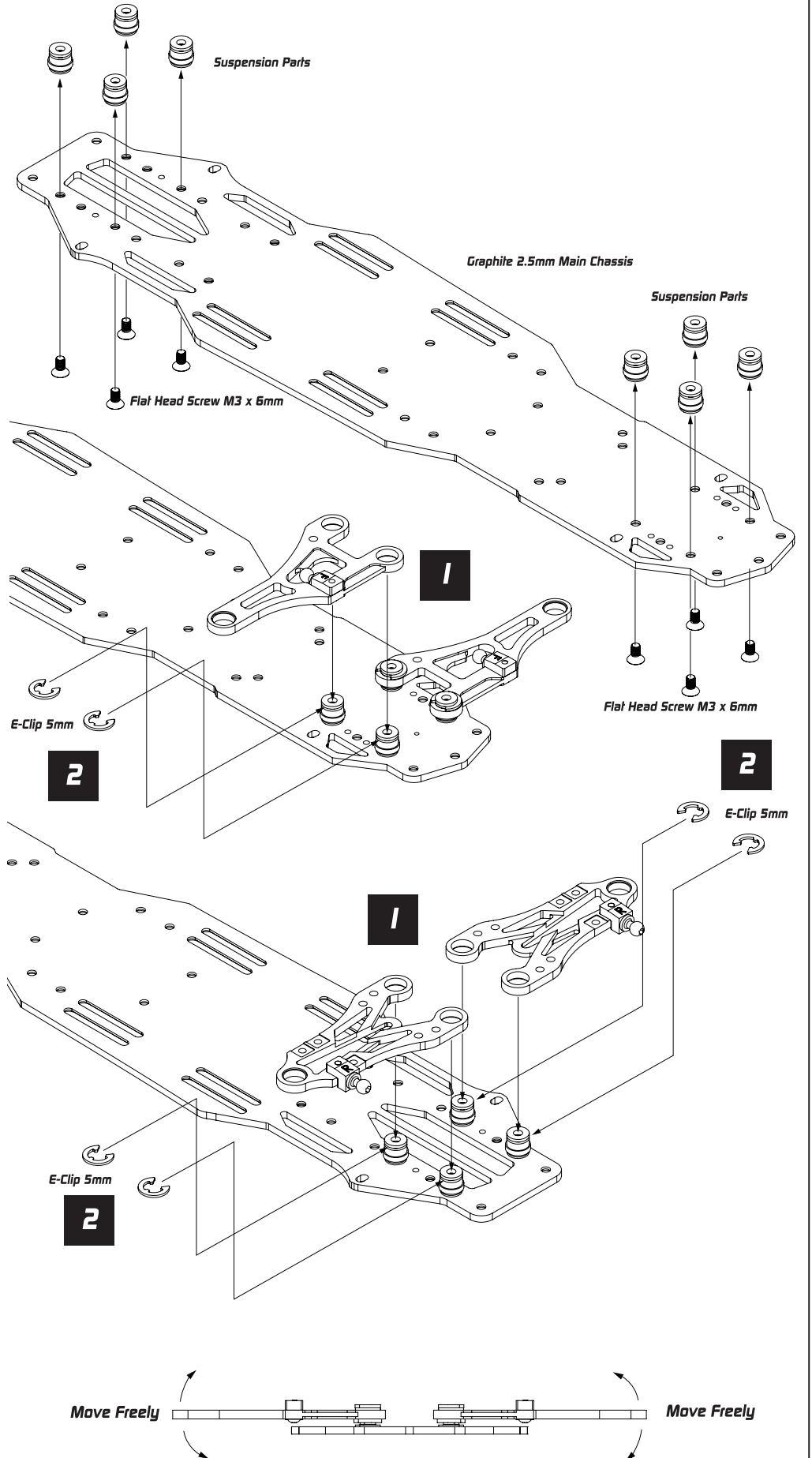
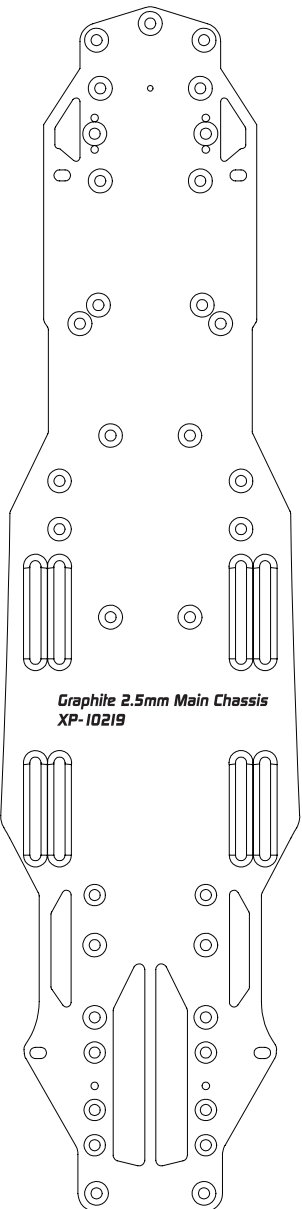
Flat Head Screw M3 x 6mm
XP-40046

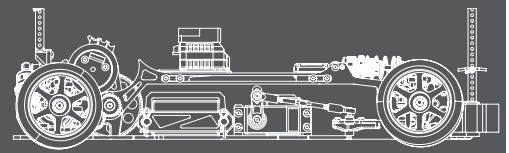


E-Clip 5mm
XP-40058



Suspension Parts
XP-10003





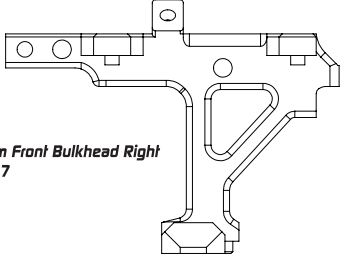
Bag C, D, Screw and Bearing Bag



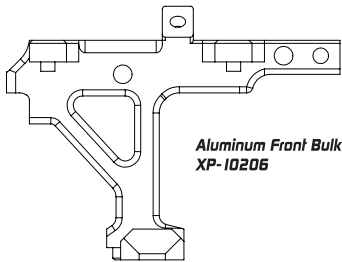
Flat Head Screw M3 x 6mm
XP-40046



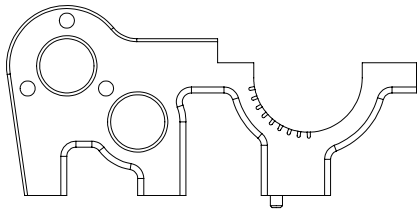
Round Head Screw M3 x 6mm
XP-40037



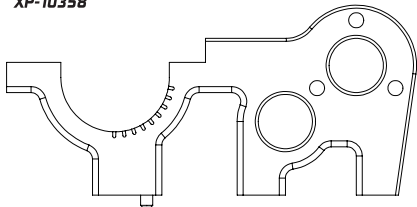
Aluminum Front Bulkhead Right
XP-10207



Aluminum Front Bulkhead Left
XP-10206



Rear Lower Bulkhead Left
XP-10358



Rear Lower Bulkhead Right
XP-10328



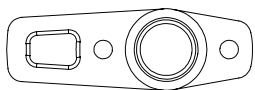
Bearing 5 x 8 x 2.5mm
XP-40061



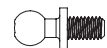
4.8mm Ball 3.5mm Thread
XP-10042



Threaded insert
XP-10321



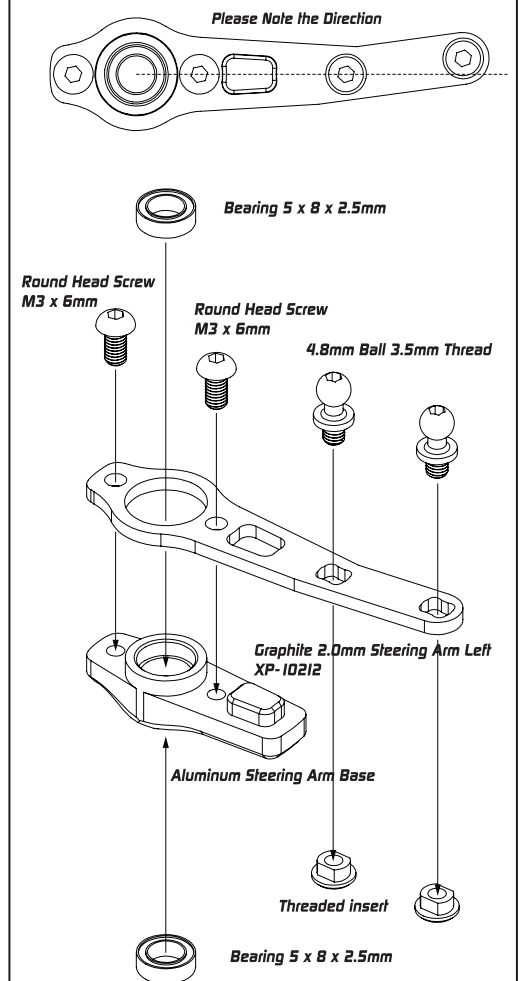
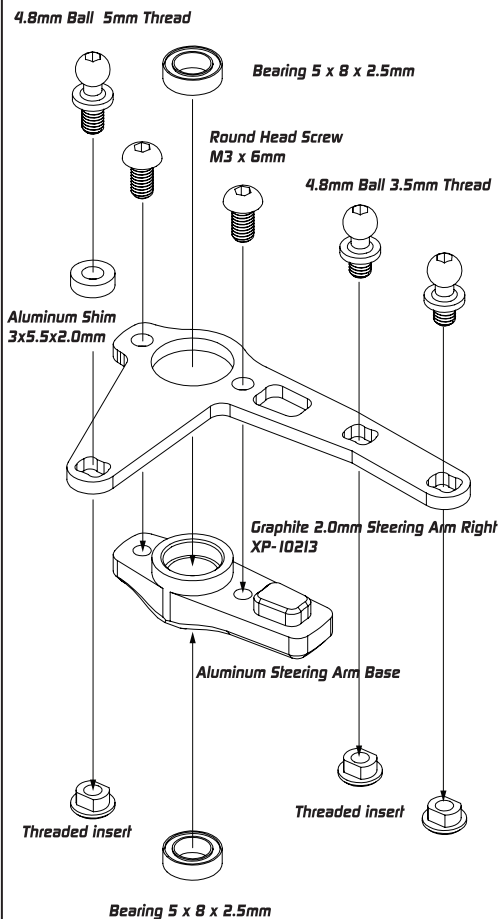
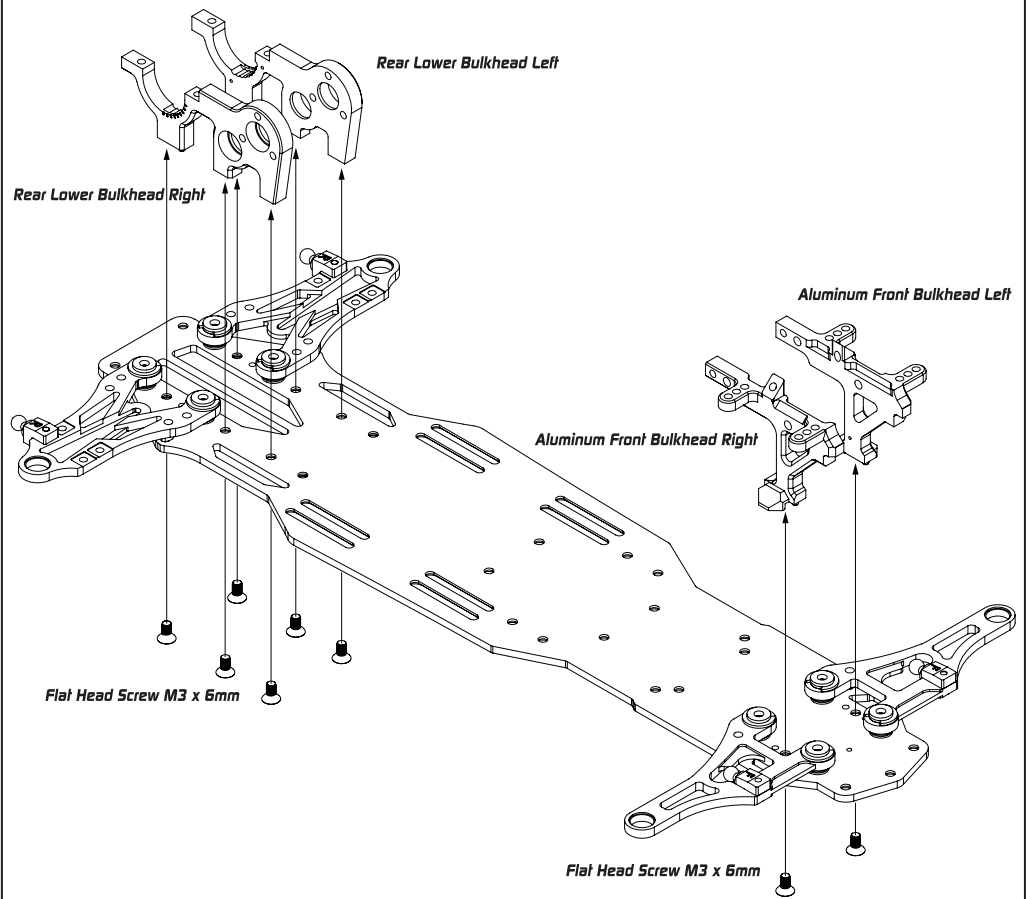
Aluminum Steering Arm Base
XP-10214

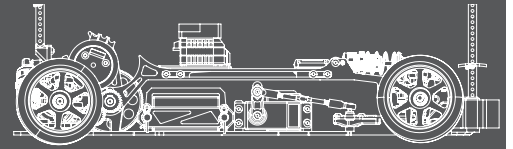


4.8mm Ball End 5mm Thread
XP-10236

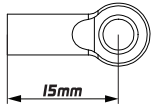


Aluminum Shim 3x5.5x2.0mm Red
XP-10241





Bag D and Screw Bag



Low Profile Ball End 15mm
XP-10254



Aluminum Turnbuckle 24mm
XP-40088



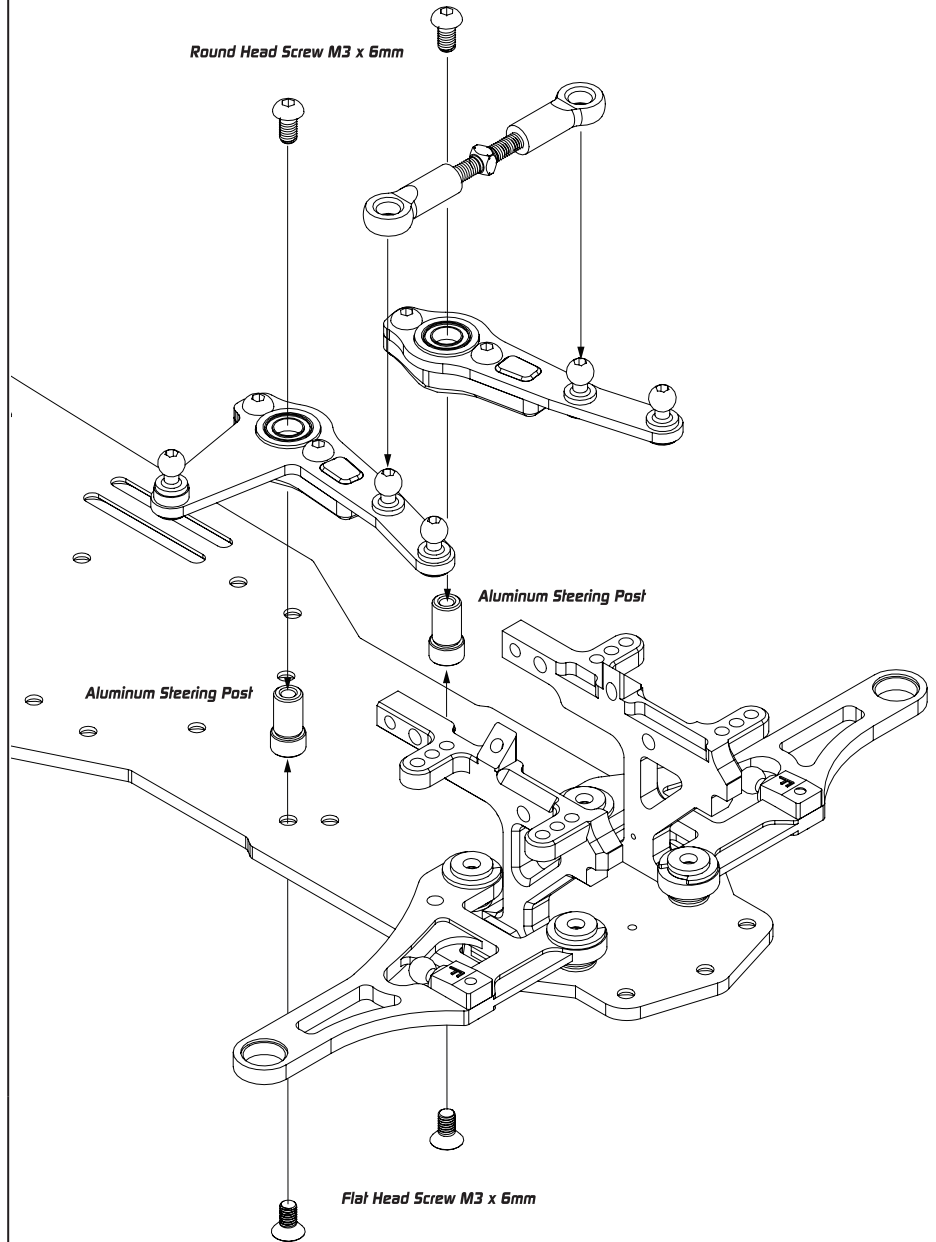
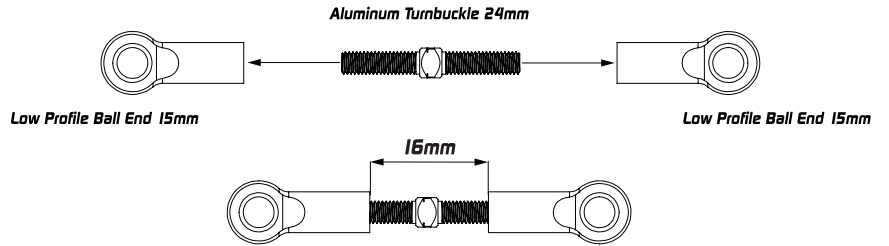
Round Head Screw M3 x 6mm
XP-40037

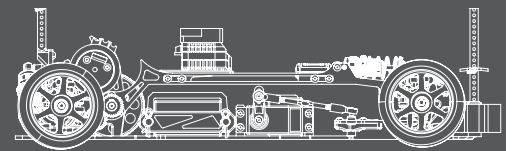


Flat Head Screw M3 x 6mm
XP-40046



Aluminum Steering Post
XP-10233





Bag C, D and Screw Bag



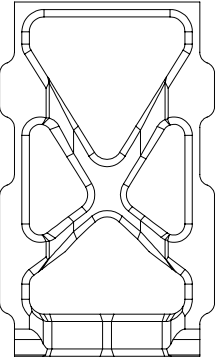
Bearing 5 x 10 x 4mm
XP-40064



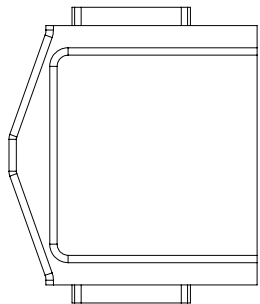
Round Head Screw M3 x 6mm
XP-40037



Round Head Screw M3 x 8mm
XP-40038



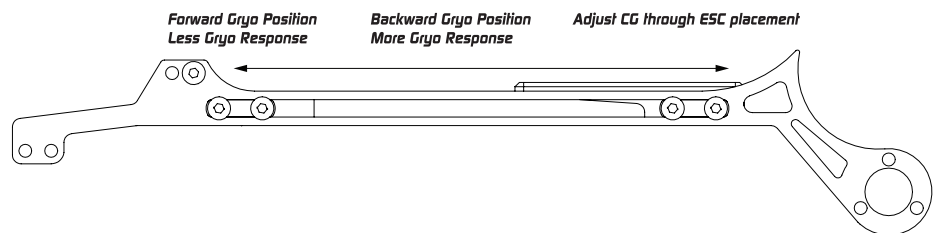
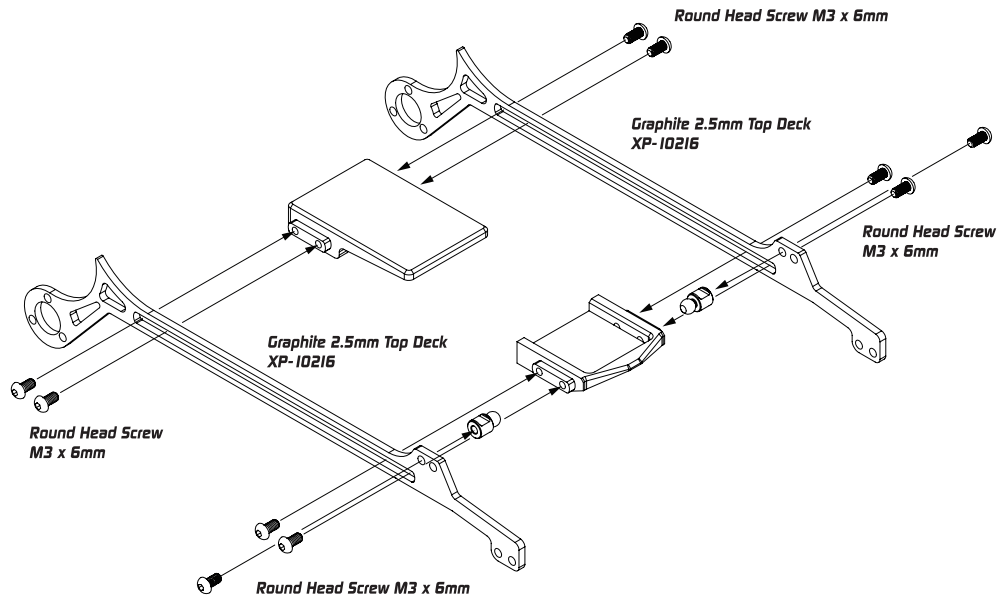
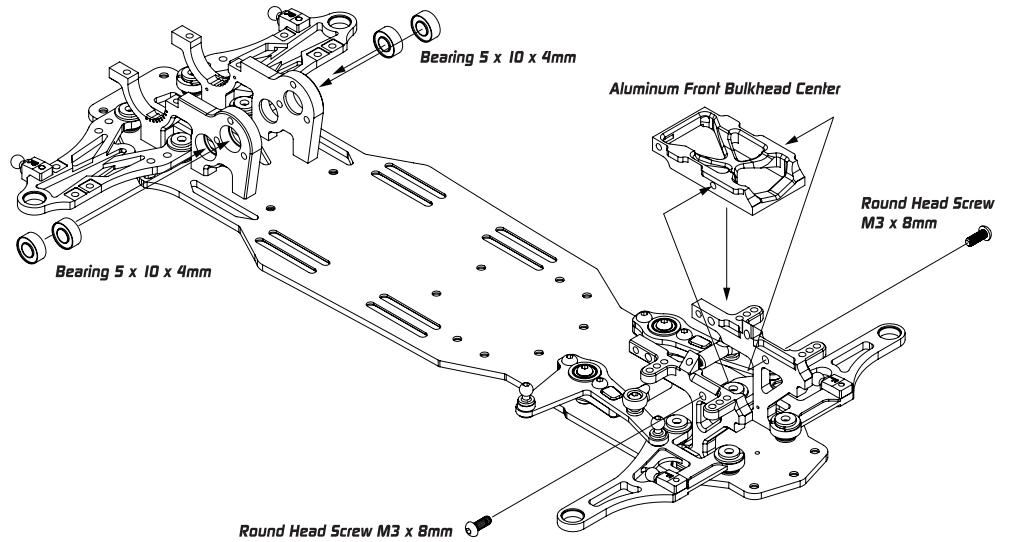
Aluminum Front Bulkhead Center
XP-10208

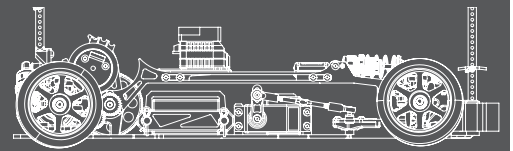


Brass Gyro Mount
XP-10217



Aluminum Esc Mount
XP-10331



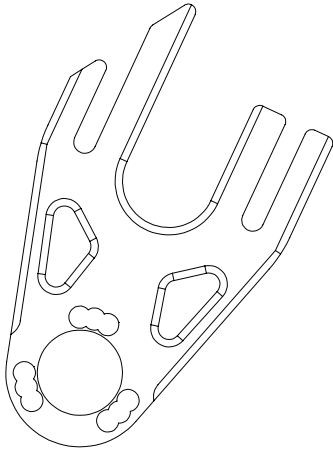


Bag E and Screw Bag

 Round Head Screw M3 x 8mm
XP-40038

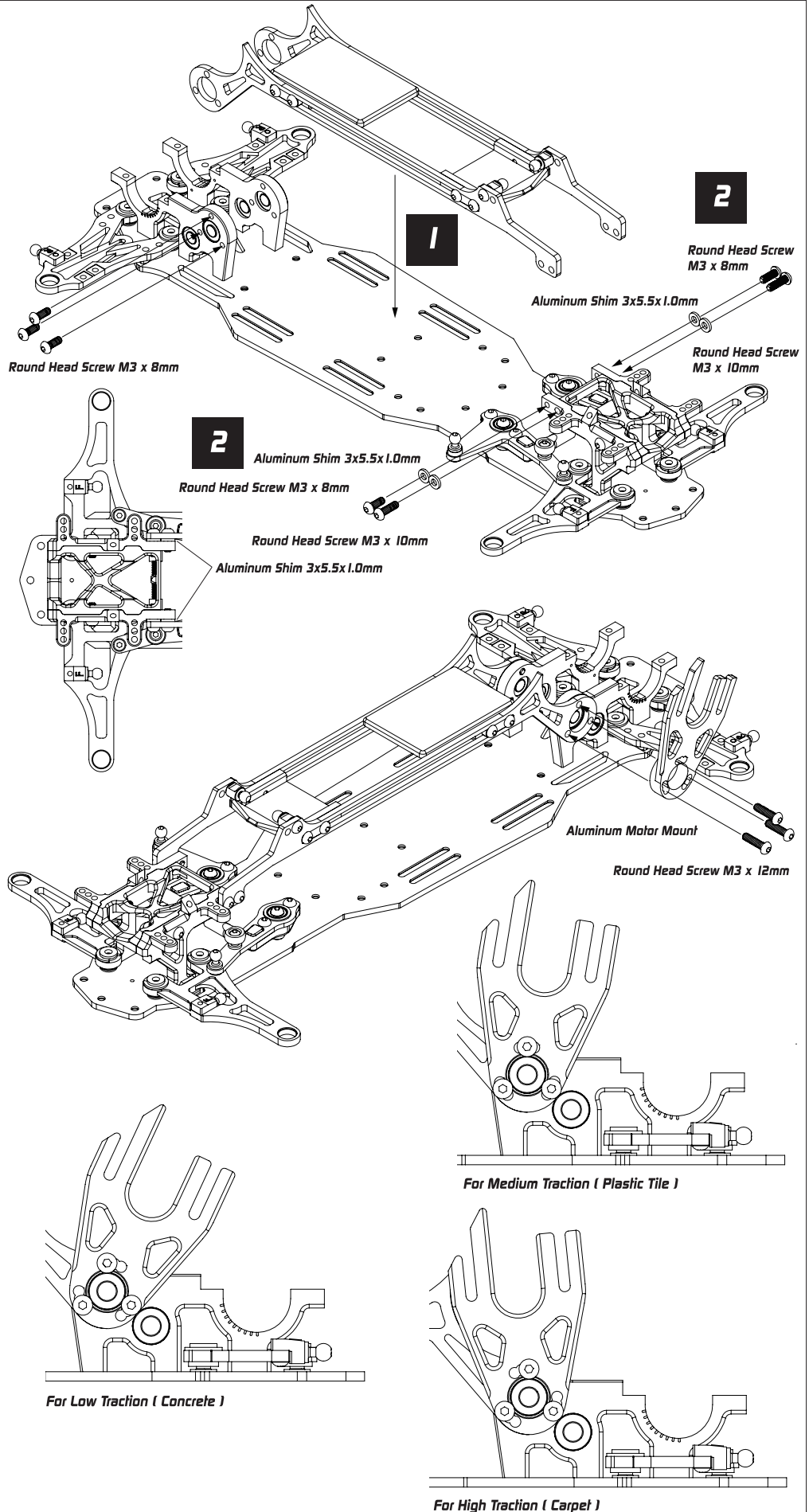
 Round Head Screw M3 x 10mm
XP-40039

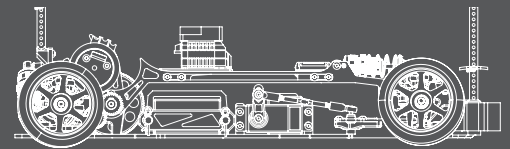
 Round Head Screw M3 x 12mm
XP-40040



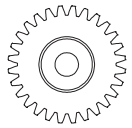
Aluminum Motor Mount
XP-10332

 Aluminum Shim 3x5.5x1.0mm Red
XP-10240





Bag E and Screw Bag



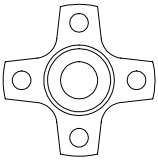
Steel Pinion Gear Set 48P28T
XP-10330



Aluminum Pulley Shaft Set
XP-10329



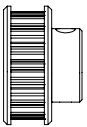
Round Head Screw M3 x 6mm
XP-40037



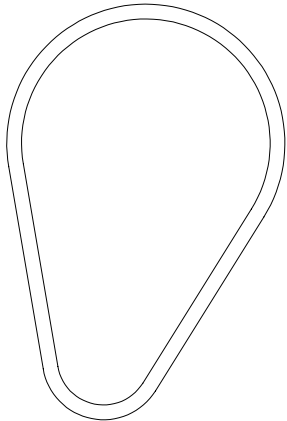
7075 Aluminum Spur Gear Adapter
XP-10033



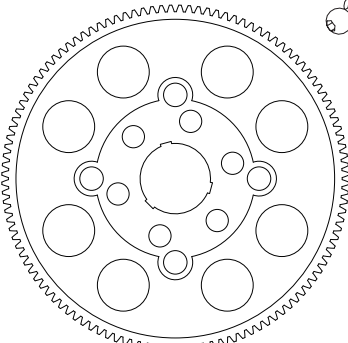
Set Screw M3 x 3mm
XP-40052



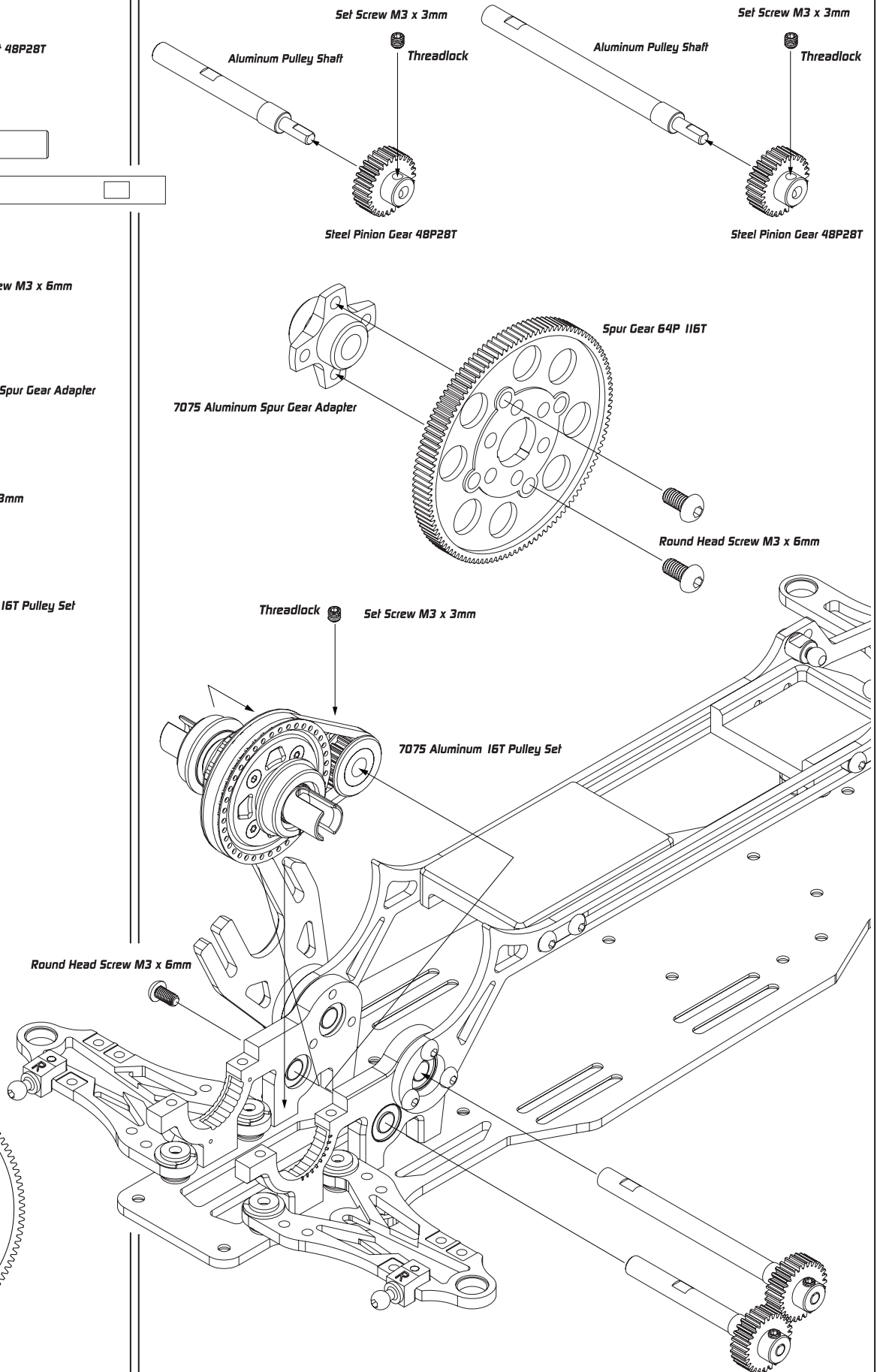
7075 Aluminum 16T Pulley Set
XP-10300

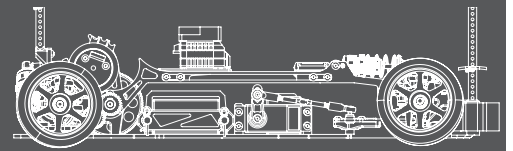


Kevlar Drive Belt Rear 3 x 144 mm
XP-10333



Spur Gear 64P 116T
XP-10053





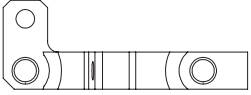
Bag E , Spacer and Ball Bag



5 x 8 x 10 Spacer
XP-10329



Set Screw M3 x 3mm
XP-40052



7075 Aluminum Rear Upper Clamp
XP-10031



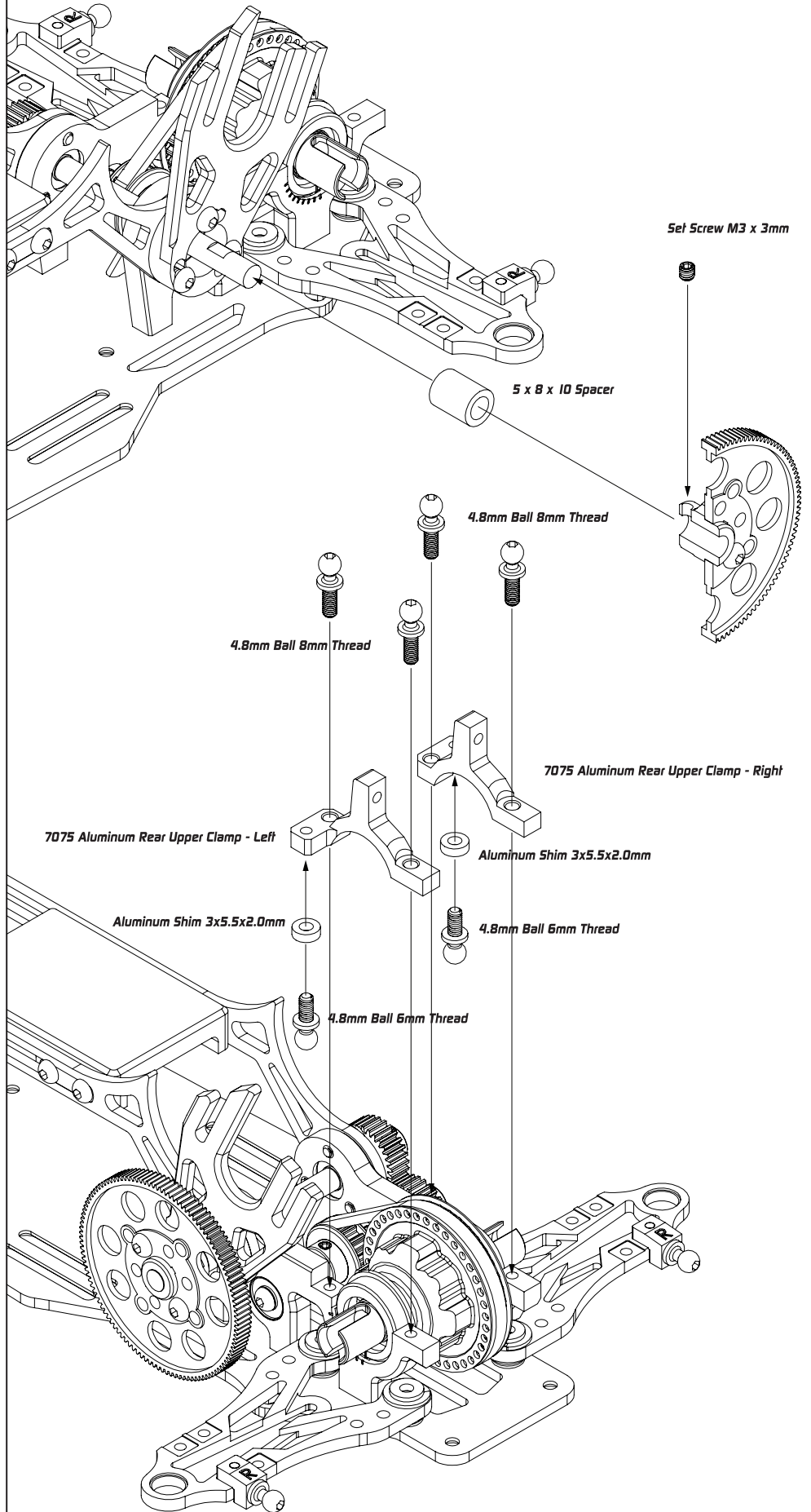
4.8mm Ball 8mm Thread
XP-10150

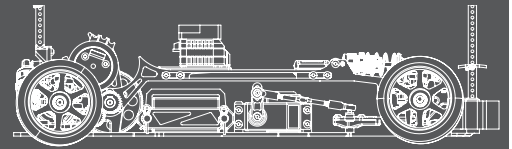


4.8mm Ball 6mm Thread
XP-10149

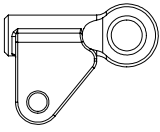


Aluminum Shim 3x5.5x2.0mm Red
XP-10241

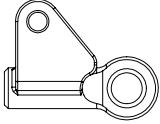




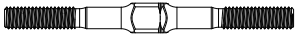
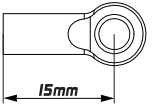
Bag F



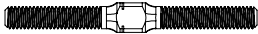
Camberlink Stiffener
XP-10220



Low Profile Ball End 15mm
XP-10254



Aluminum Turnbuckle 39mm (2pcs)
XP-40091



Aluminum Turnbuckle 34mm (2pcs)
XP-40091



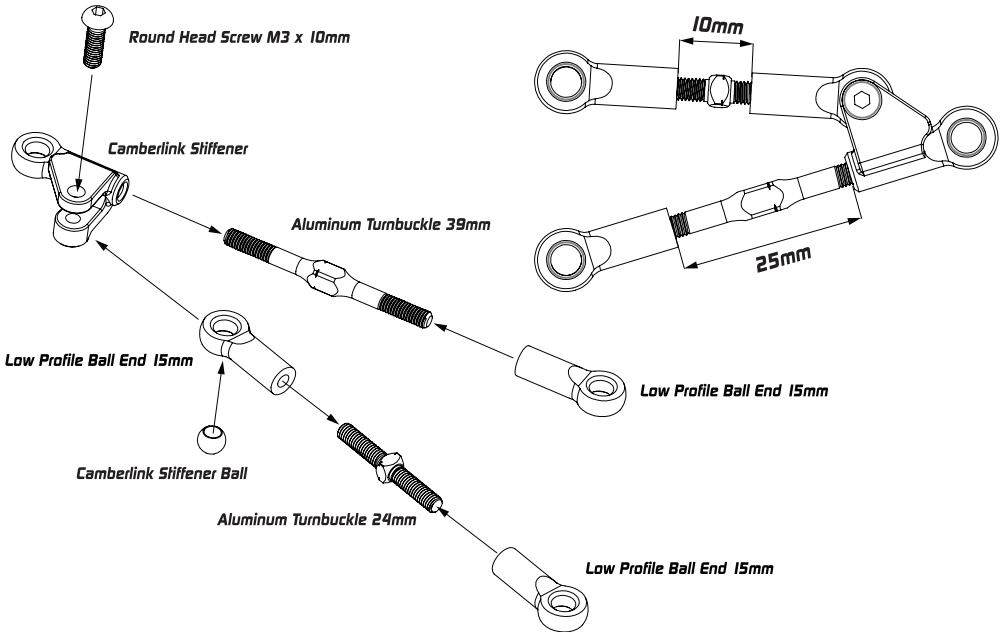
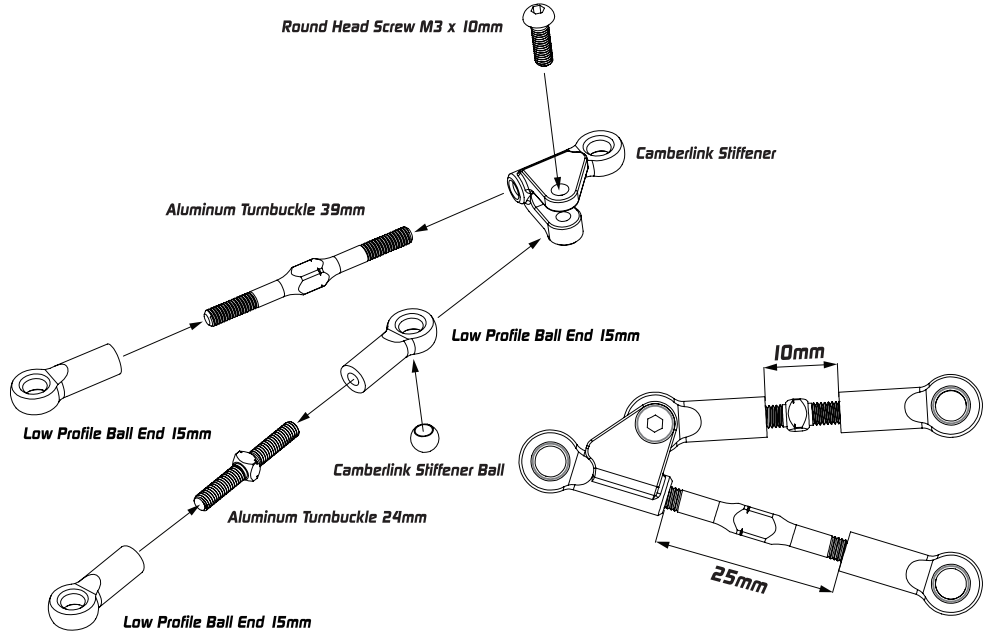
Aluminum Turnbuckle 24mm (2pcs)
XP-40088



Camberlink Stiffener Ball
XP-10200

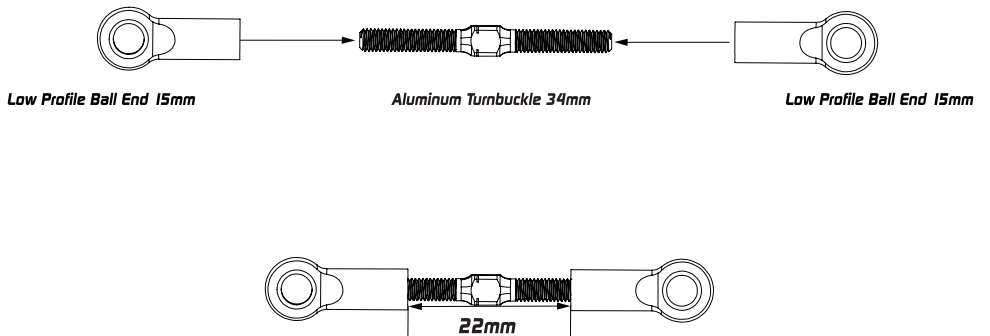


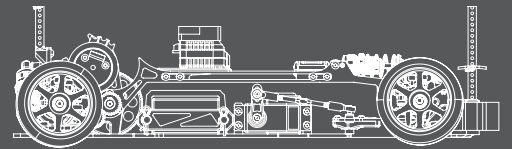
Round Head Screw M3 x 10mm
XP-40039



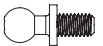
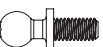

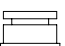
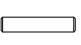

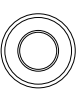
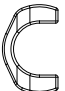
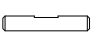

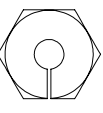

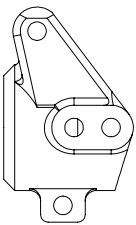
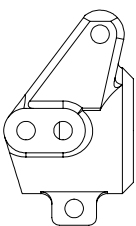
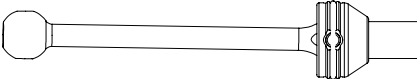
2X

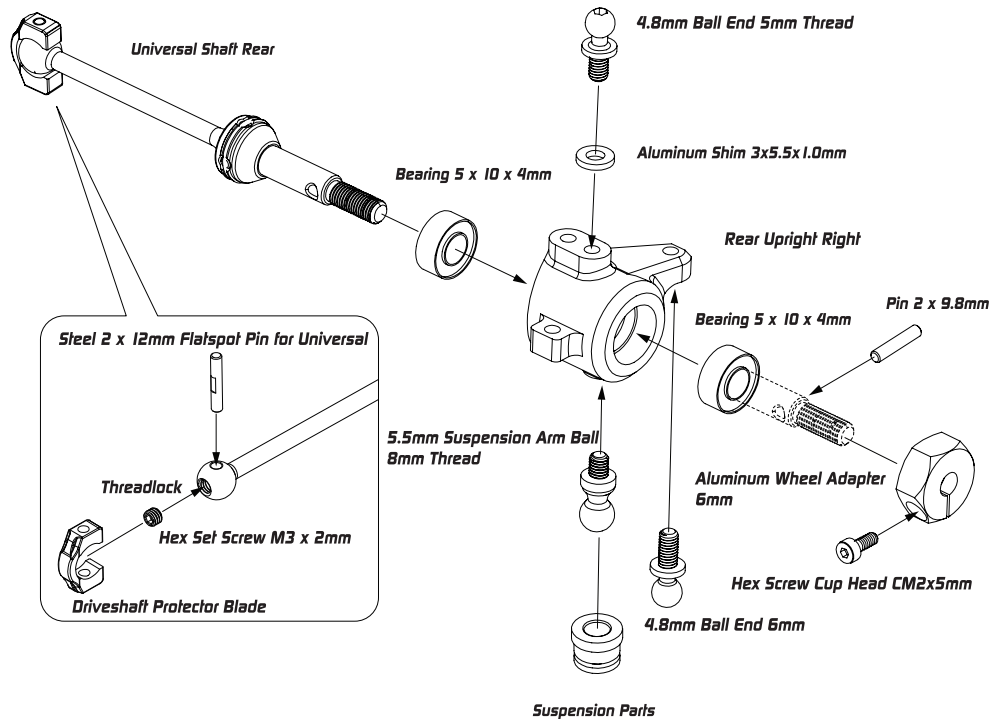
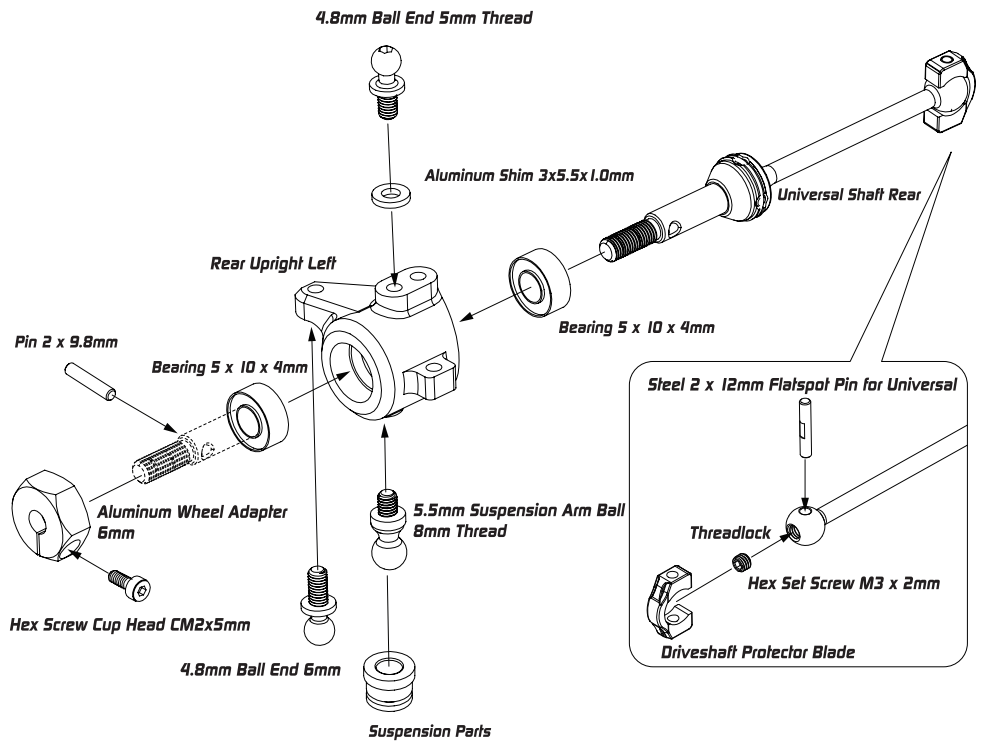
For Rear Knuckle

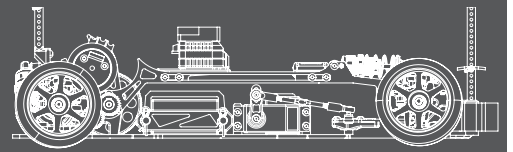




Bag G , Bearing , Spacer and Screw Bag

-  4.8mm Ball End 5mm Thread
XP-10236
-  4.8mm Ball End 6mm Thread
XP-10237
-  5.5mm Suspension Arm Ball
8mm Thread
XP-10205
-  Suspension Parts
XP-10003
-  Pin 2 x 9.8mm
XP-40069
-  Aluminum Shim 3x5.5x1.0mm Red
XP-10240
-  Bearing 5 x 10 x 4mm
XP-40064
-  Driveshaft Protector Blade
XP-10128
-  Steel 2 x 12mm Flatspot Pin for Universal
XP-40071
-  Hex Set Screw M3 x 2mm
XP-40051
-  Aluminum Wheel Adapter 6mm
XP-10365
-  Hex Screw Cup Head CM2x5mm
XP-40034
-  Rear Upright Left
XP-10014
-  Rear Upright Right
XP-10014
-  Universal Shaft Rear
XP-10167

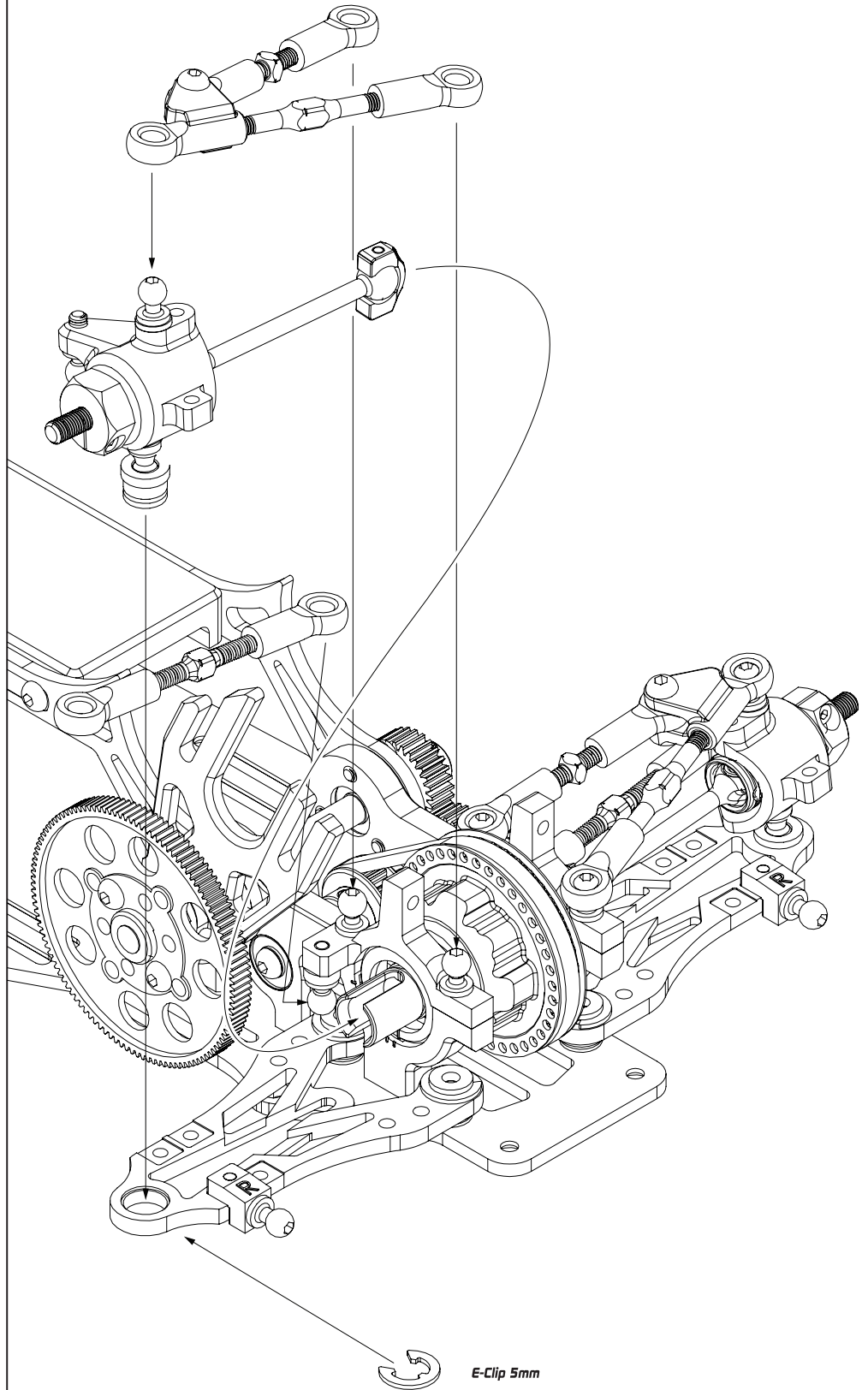


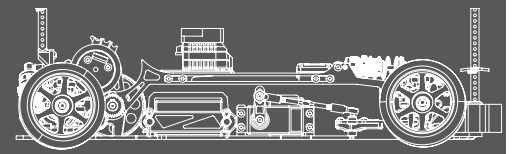


Bag B



E-Clip 5mm
XP-40058

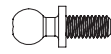




Bag H and Bearing Bag



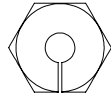
5.5mm Suspension Arm Ball
8mm Thread
XP-10205



4.8mm Ball End 6mm Thread
XP-10237



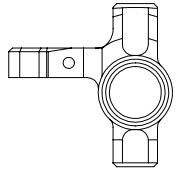
Aluminum Shim 3x5.5x2.0mm Red
XP-10241



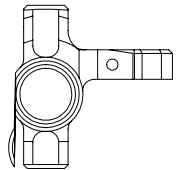
Aluminum Wheel Adapter 6mm
XP-10365



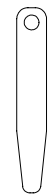
Hex Screw Cup Head CM2x5mm
XP-40034



Aluminum Steering Knuckle Right
XP-10234



Aluminum Steering Knuckle Left
XP-10234



Steering Knuckle Limiter
XP-10234



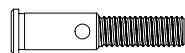
Hex Screw Round Head RM2x6mm
XP-40101



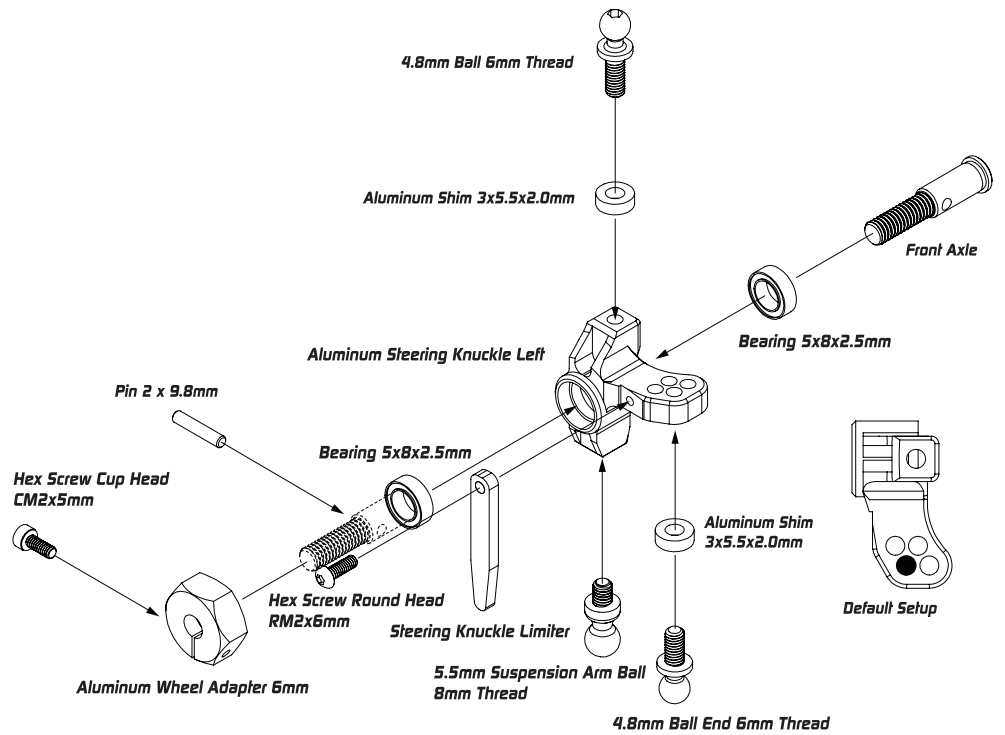
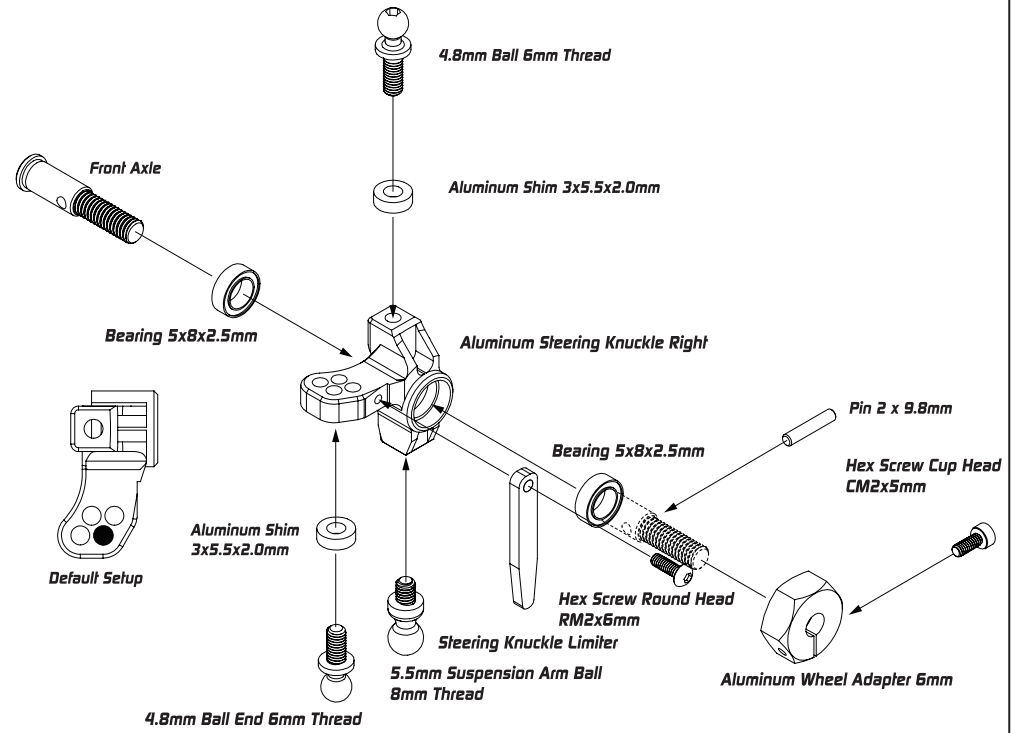
Bearing 5x8x2.5mm
XP-40061

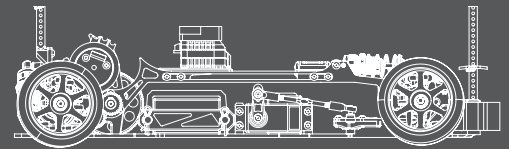


Pin 2 x 9.8mm
XP-40069

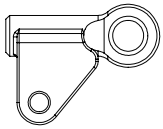


Front Axle
XP-10235

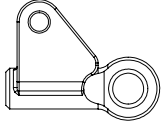




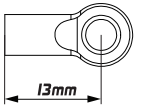
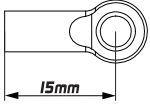
Bag H and Screw Bag



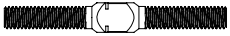
Camberlink Stiffener
XP-10255



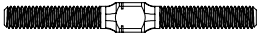
Low Profile Ball End 15mm
XP-10254



Low Profile Ball End 13mm
XP-10254



Aluminum Turnbuckle 30mm
XP-40089



Aluminum Turnbuckle 34mm
XP-40090



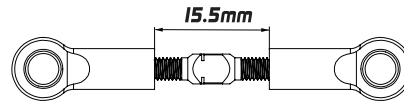
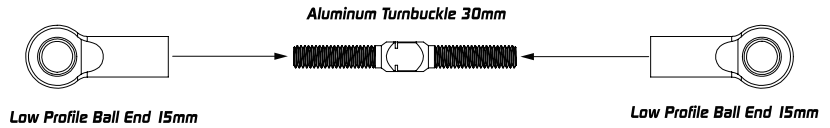
Aluminum Turnbuckle 20mm
XP-40087



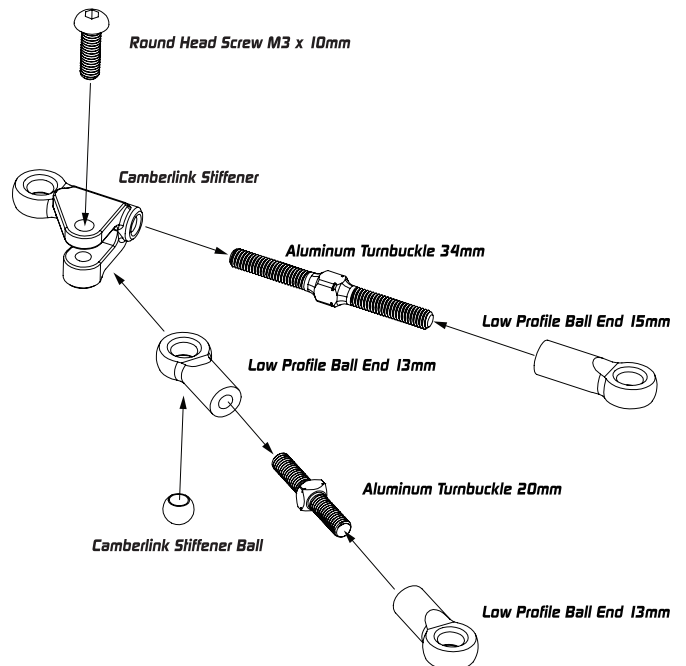
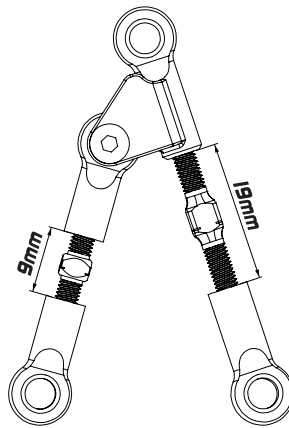
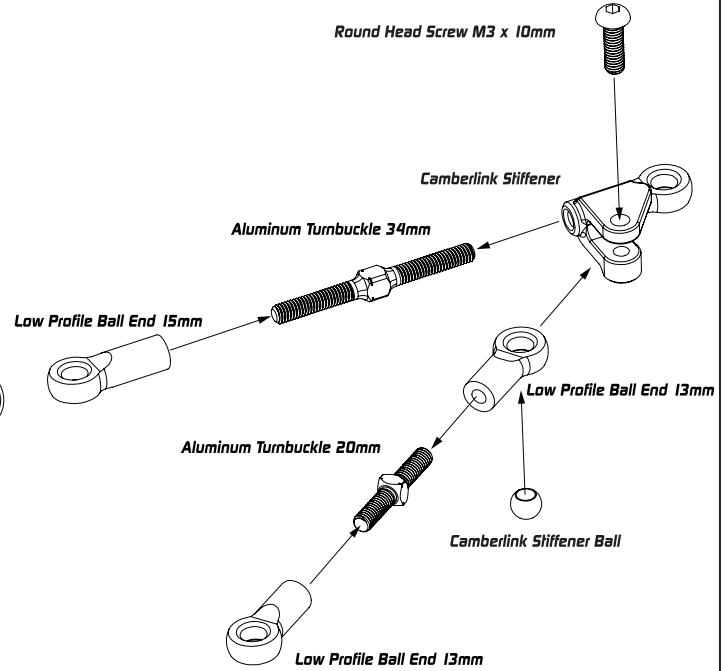
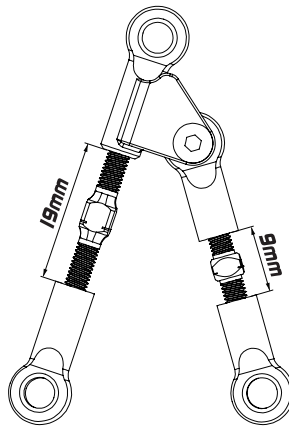
Camberlink Stiffener Ball
XP-10255

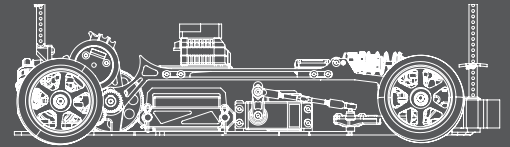


Round Head Screw M3 x 10mm
XP-40039



2X





Bag B , H , Ball and Bearing Bag

4.8mm Ball End 3.5mm Thread
XP-10042

4.8mm Ball End 5mm Thread
XP-10236

Suspension Parts
XP-10003

E-Clip 5mm
XP-40058

Bearing 5x8x2.5mm
XP-40061

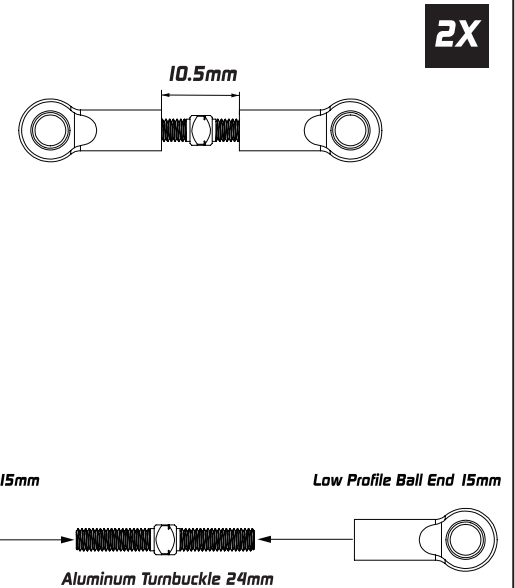
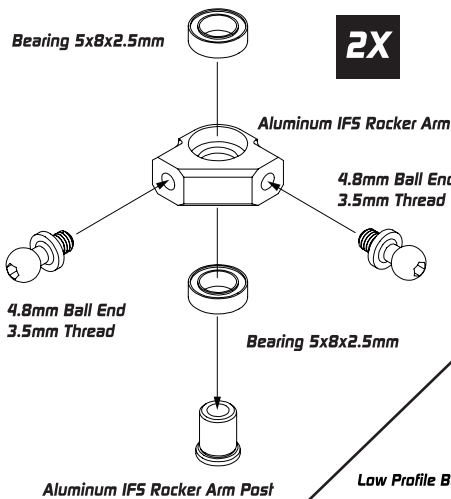
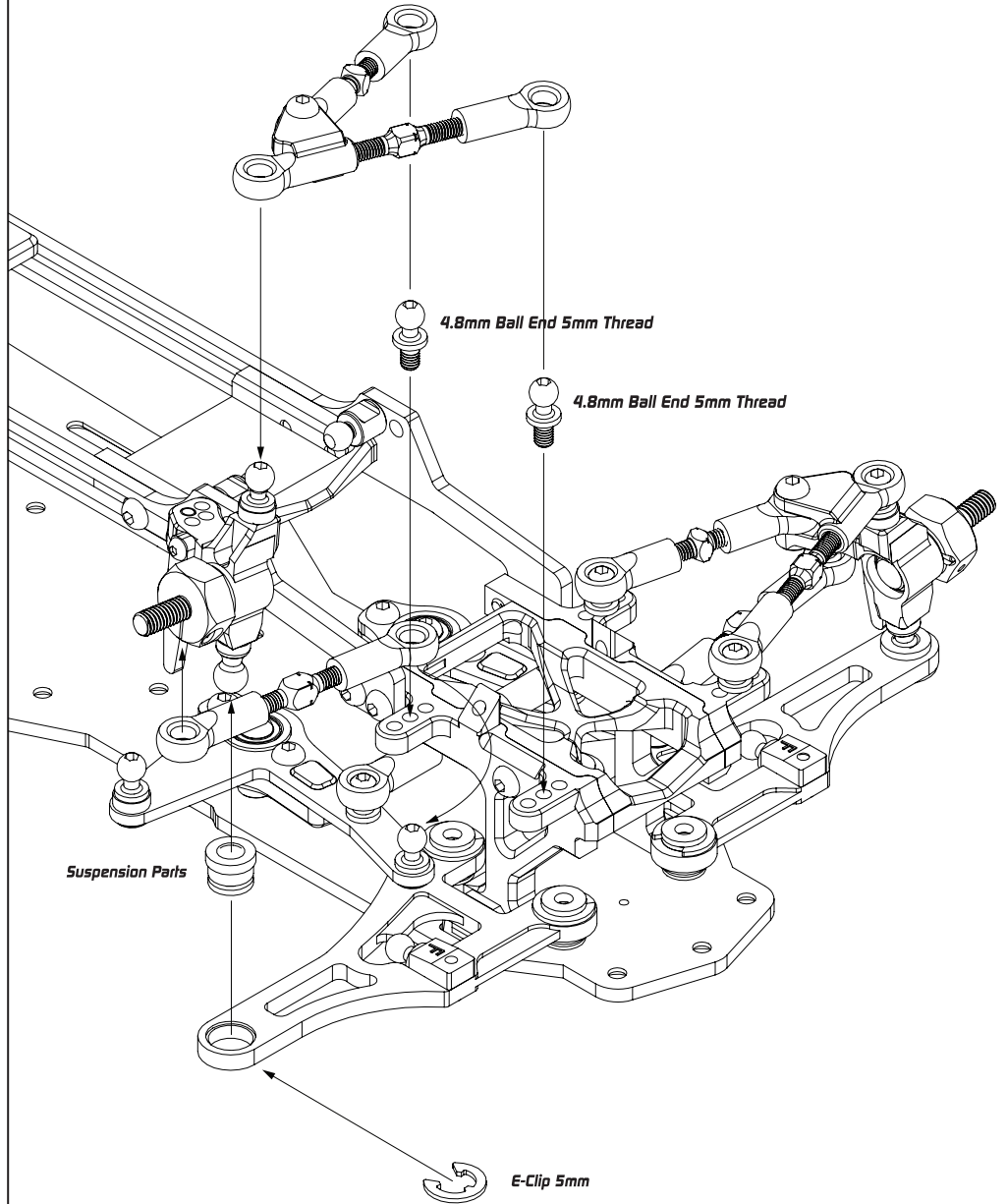
Aluminum IFS Rocker Arm Post
XP-10210

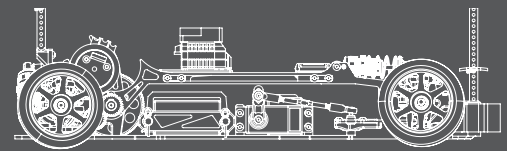
Aluminum IFS Rocker Arm
XP-10209

Aluminum Turnbuckle 24mm
XP-40088

Low Profile Ball End 15mm
XP-10254

15mm



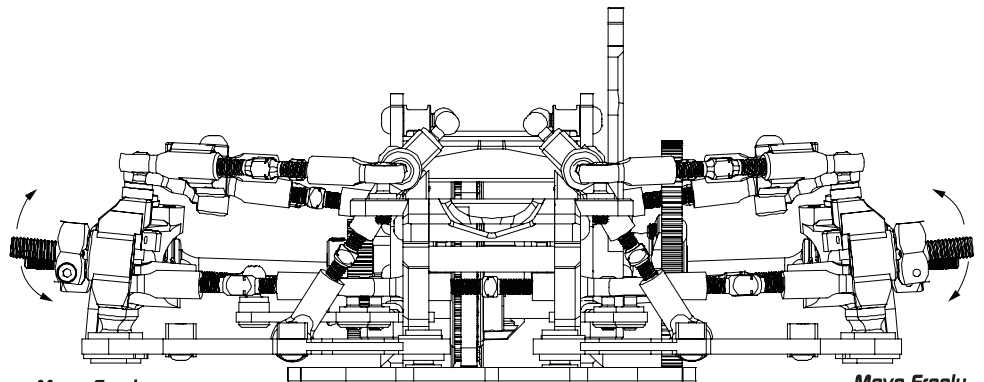
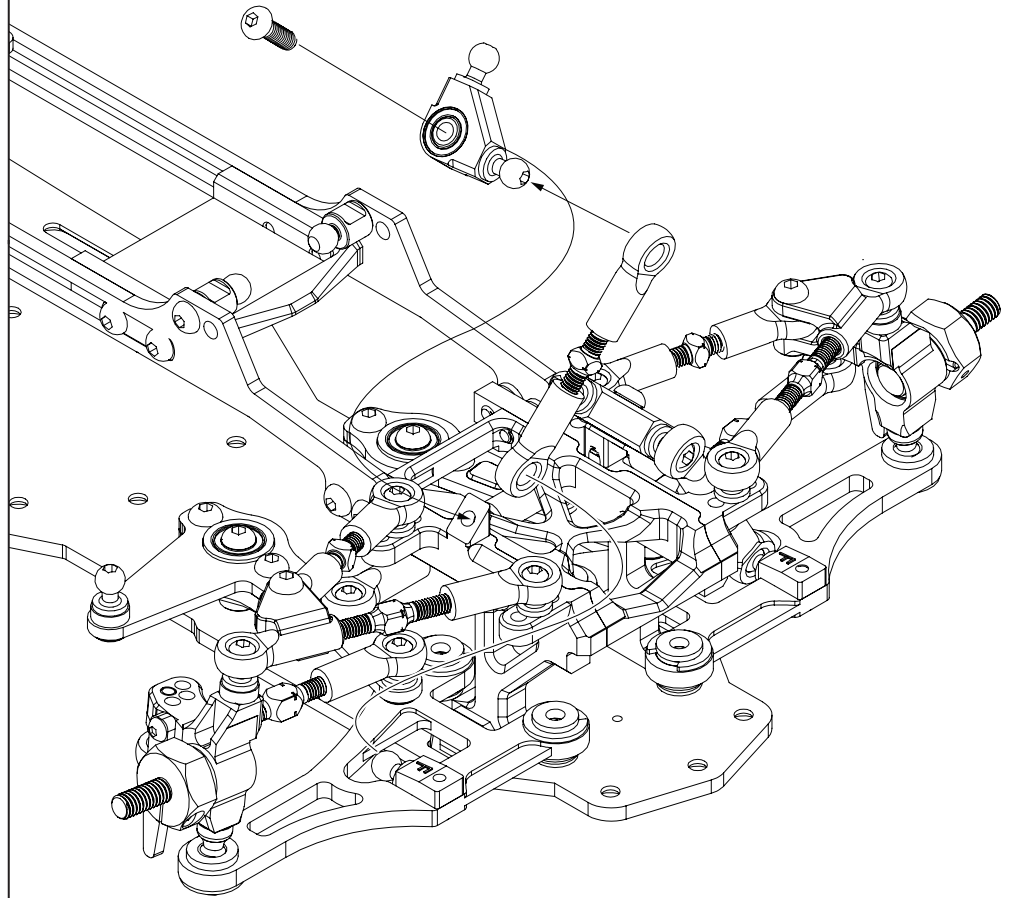


Screw Bag



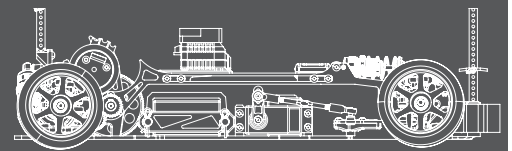
Round Head Screw M3 x 10mm
XP-40039

Round Head Screw M3 x 10mm


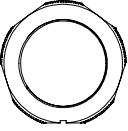
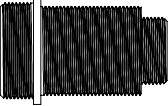



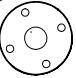


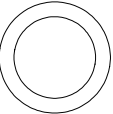


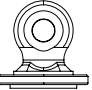
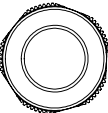



Move Freely

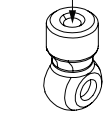
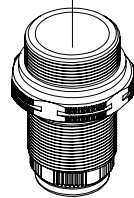
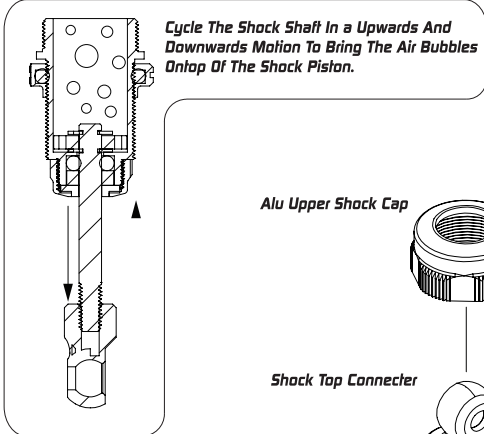
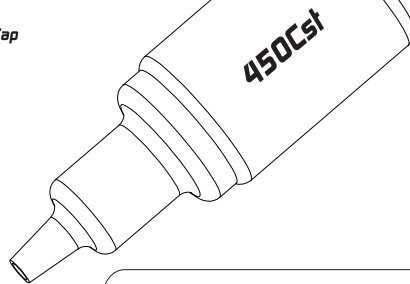
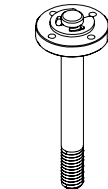
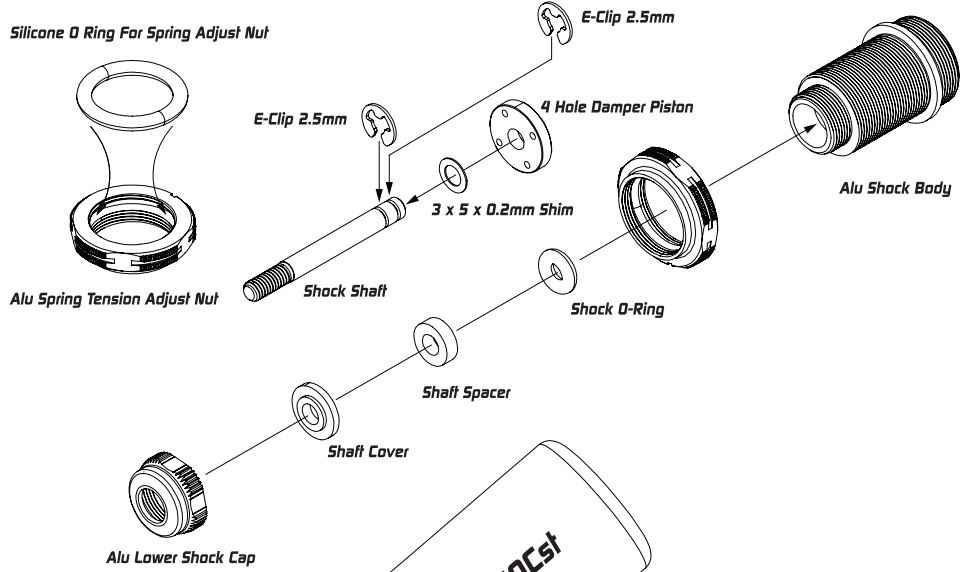
Move Freely



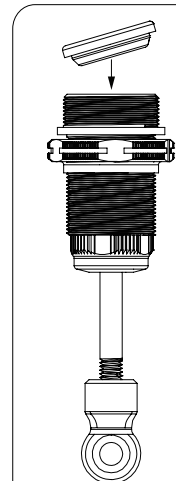
Bag 1 and Oil Bag

-  **Alu Lower Shock Cap**
XP-10039
-  **Alu Spring Tension Adjust Nut**
XP-10039
-  **Alu Shock Body**
XP-10352
-  **Shock O-Ring**
XP-10160
-  **Shaft Spacer**
XP-10016
-  **Shaft Cover**
XP-10016
-  **4 Hole Damper Piston**
XP-10378
-  **E-Clip 2.5mm**
XP-40057
-  **Shock Shaft**
XP-10353
-  **Silicone O Ring For Spring Adjust Nut**
XP-10051
-  **Shock Lower Connector**
XP-10015
-  **Shock Absorber Membrane**
XP-10051
-  **Shock Top Connector**
XP-10015
-  **Alu Upper Shock Cap**
XP-10258
-  **3 x 5 x 0.2mm Shim**
XP-10395

Silicone O Ring For Spring Adjust Nut

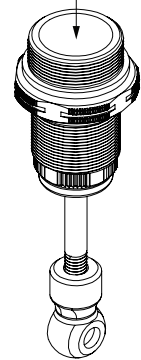


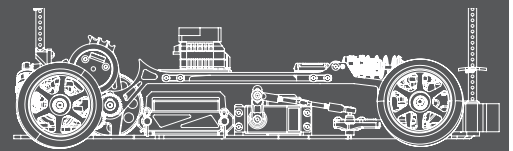
Shock Lower Connector



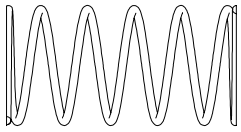
Install the shock bladder slowly on an angle as shown.

Shock Absorber Membrane

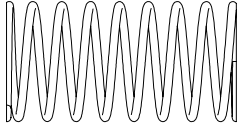




Bag I, J, Ball and Screw Bag



M1.1 x 14 x 31 mm
6.5T Spring
XP-10366



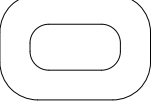
M1.1 x 14 x 31 mm
9.5T Spring
XP-10367



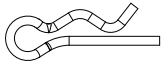
Spring Retainer
XP-10015



Rear Body Post
XP-10001



Body Height Adjuster Support
XP-10001



Body Clip
XP-10055



Round Head Screw M3 x 10mm
XP-40039



Round Head Screw M3 x 16mm
XP-40042



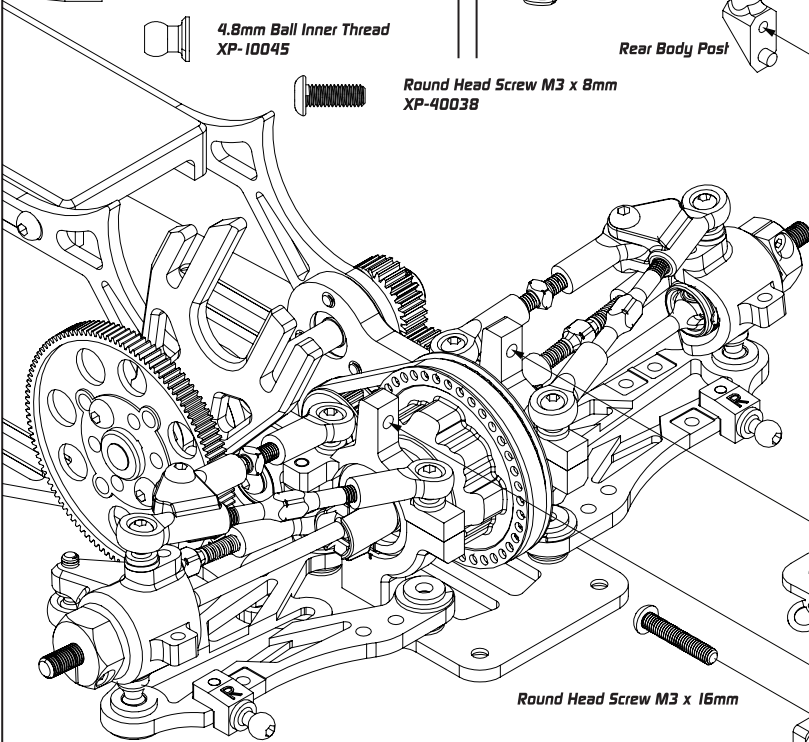
7075 Aluminum Shock Tower Post
XP-10038



4.8mm Ball Inner Thread
XP-10045



Round Head Screw M3 x 8mm
XP-40038

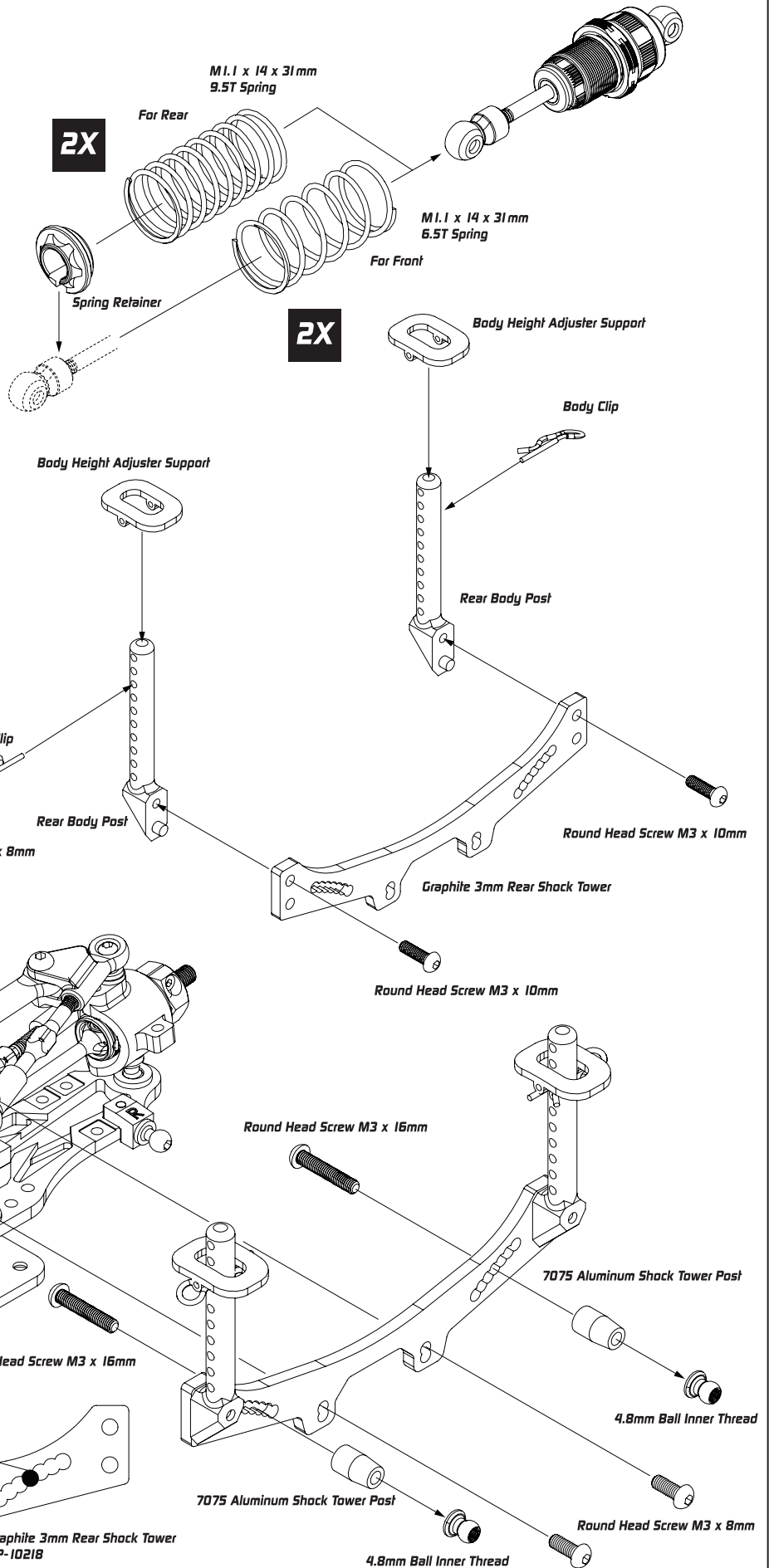


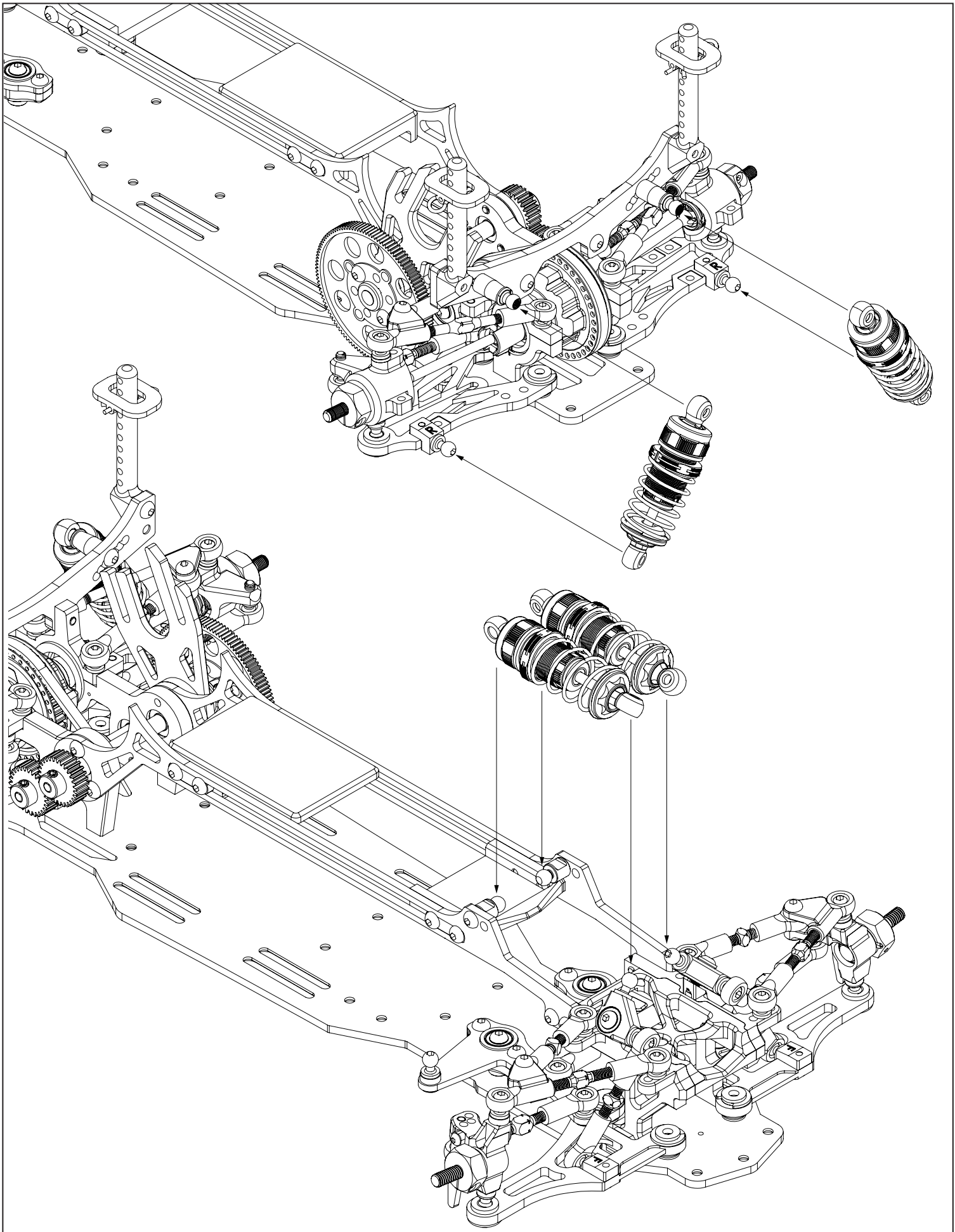
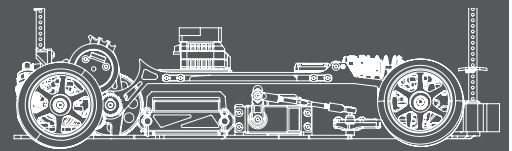
Default Shocks Position

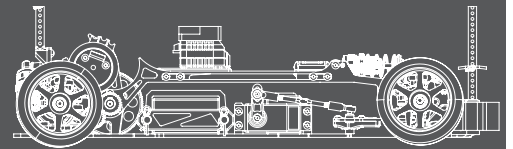
Round Head Screw M3 x 16mm

Graphite 3mm Rear Shock Tower
XP-10218

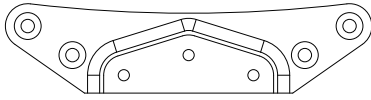
Default Shock Tower Position



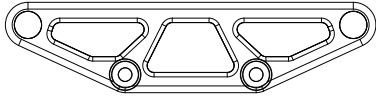




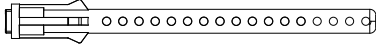
Bag J and Screw Bag



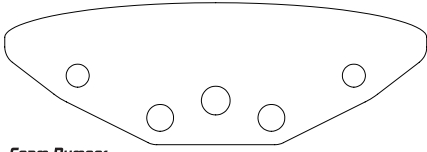
Lower Bumper
XP-10001



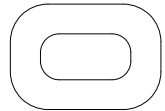
Bumper Plate
XP-10001



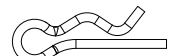
Front Body Post
XP-10001



Foam Bumper
XP-10095



Body Height Adjuster Support
XP-10001



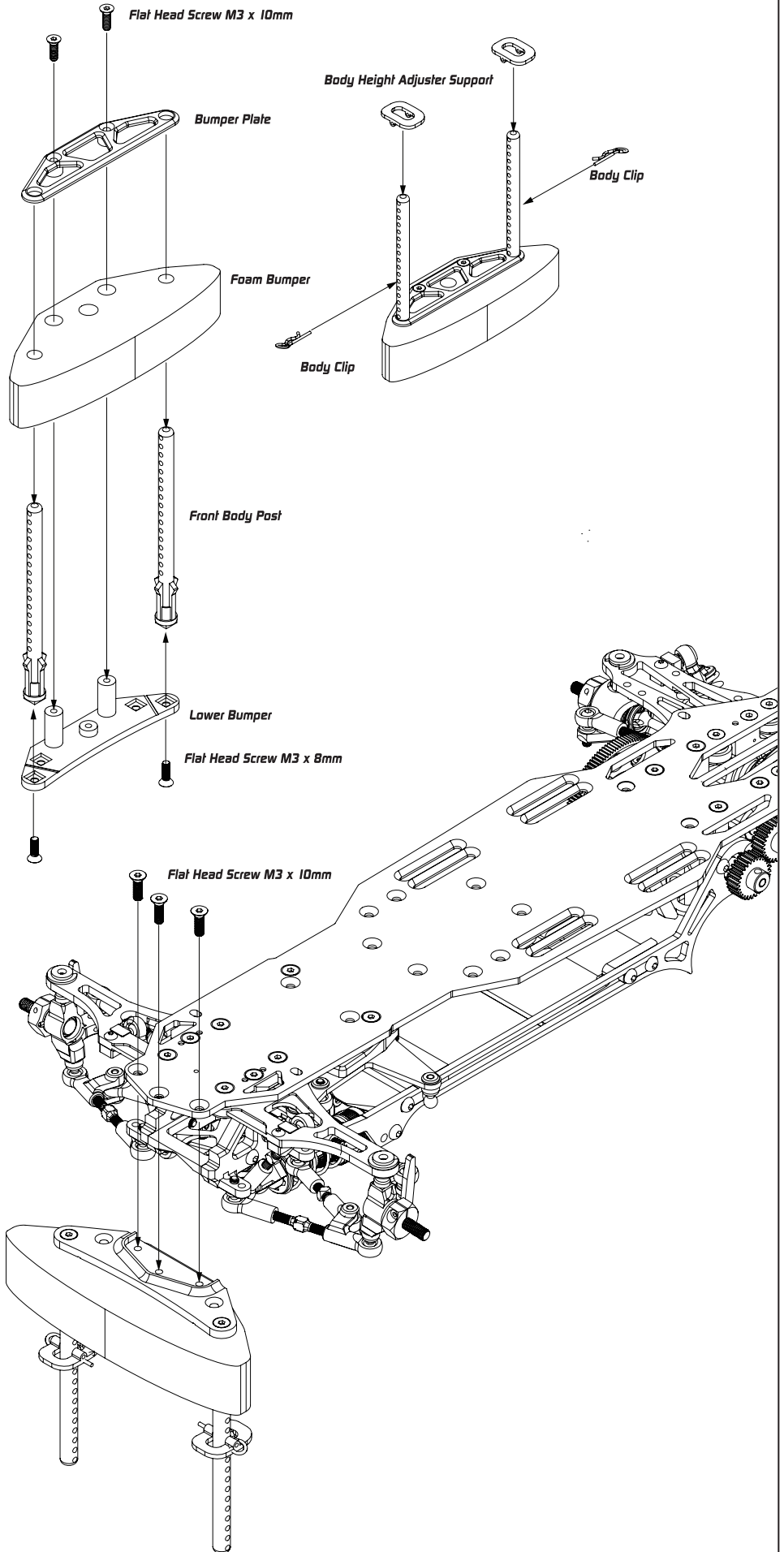
Body Clip
XP-10055

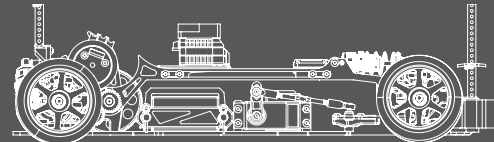


Flat Head Screw M3 x 10mm
XP-40049

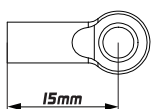


Flat Head Screw M3 x 8mm
XP-40048

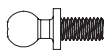




Bag J and Screw Bag



Low Profile Ball End 15mm
XP-10254



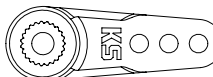
4.8mm Ball End 6mm Thread
XP-10237



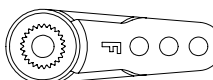
Round Head Screw M3 x 8mm
XP-40038



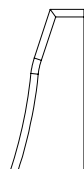
Flat Head Screw M3 x 6mm
XP-40046



Composite Servo Horn K5 (23T)
XP-10012



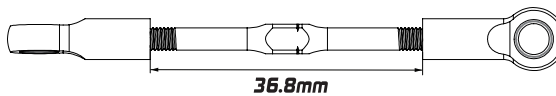
Composite Servo Horn F (25T)
XP-10012



Aluminum Servo Mount
XP-10215



Aluminium Turnbuckle 48mm
XP-40100



36.8mm



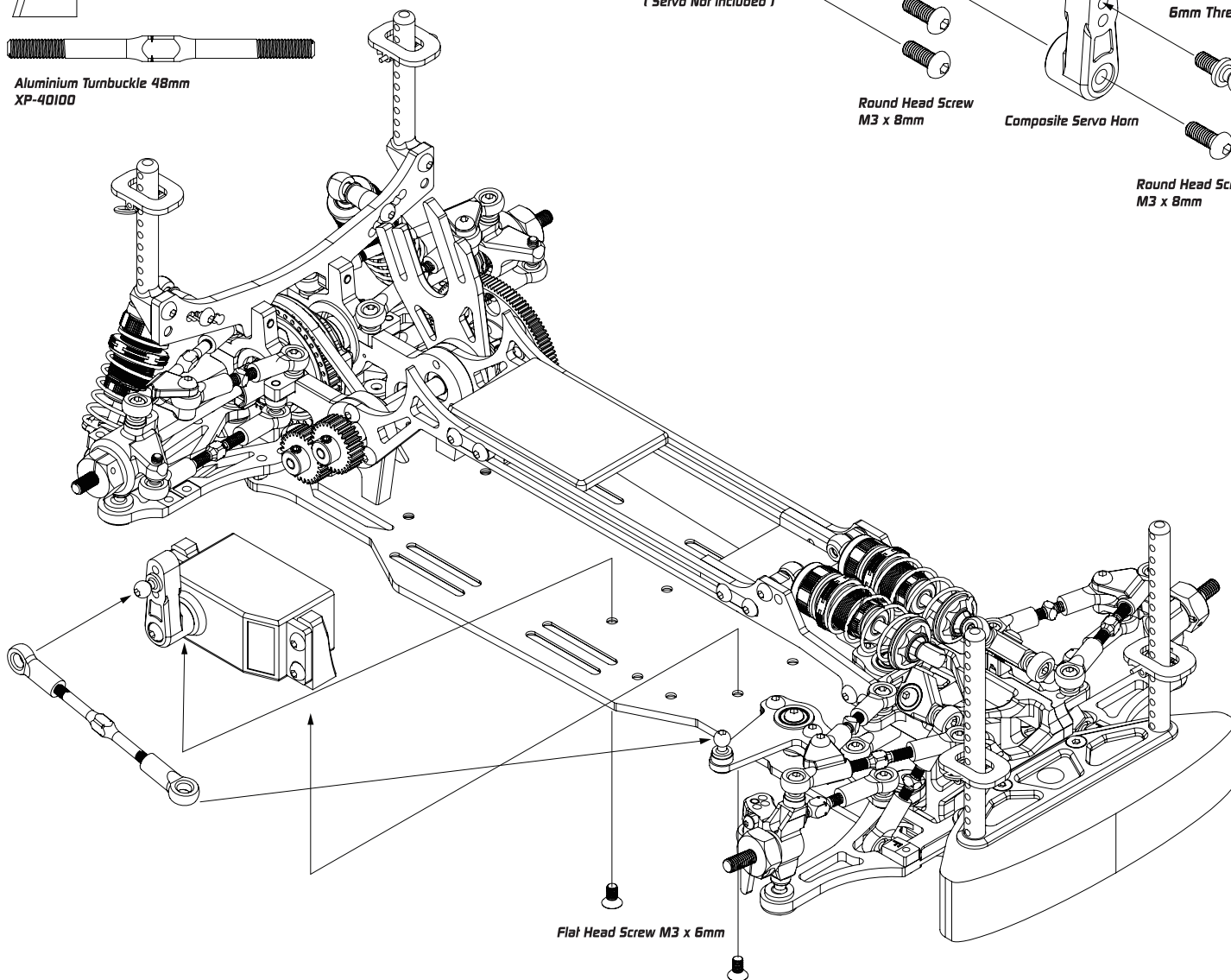
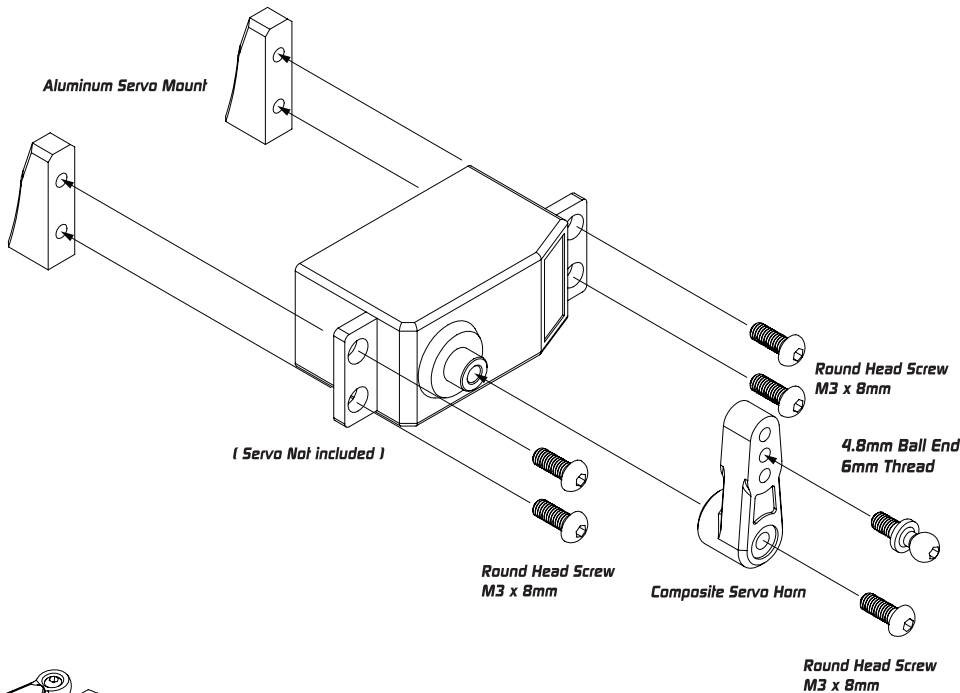
Low Profile Ball End 15mm

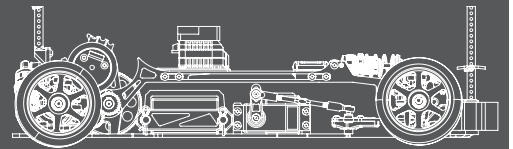


Aluminium Turnbuckle 48mm



Low Profile Ball End 15mm

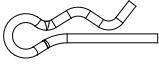




Bag J and Screw Bag



Lock Nut 7mm
XP-40068



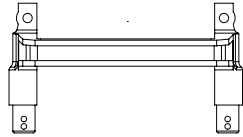
Body Clip
XP-10055



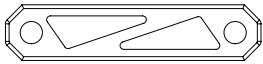
Flat Head Screw M3 x 8mm
XP-40048



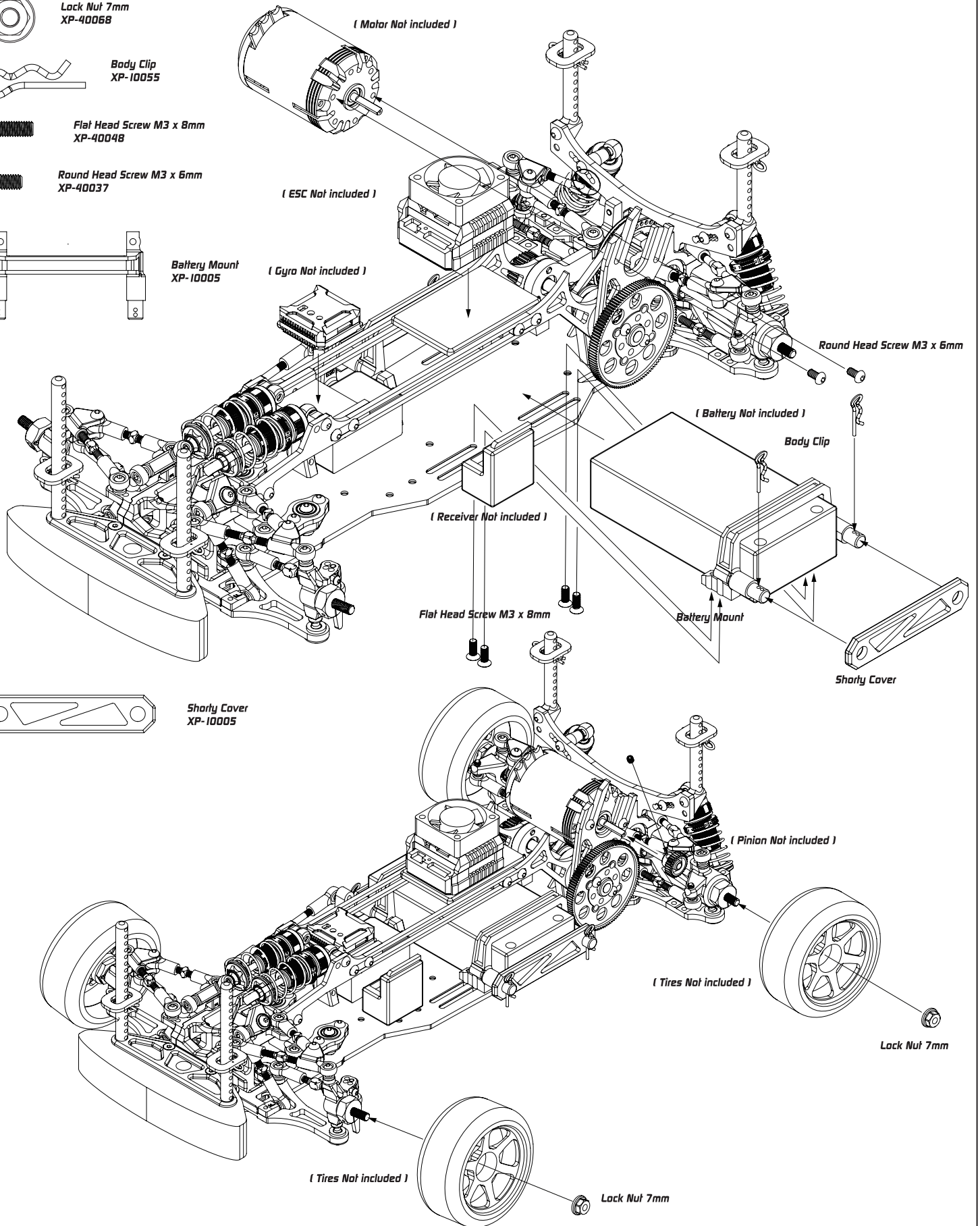
Round Head Screw M3 x 6mm
XP-40037

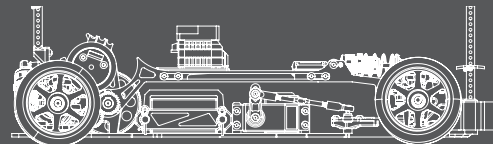


Battery Mount
XP-10005

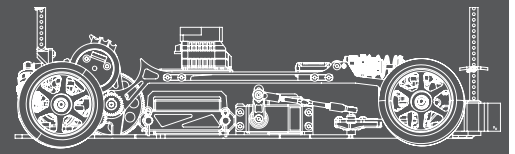


Shorty Cover
XP-10005



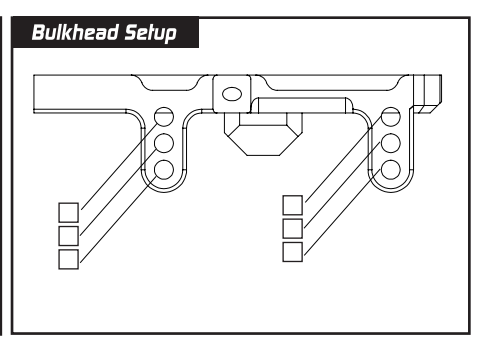
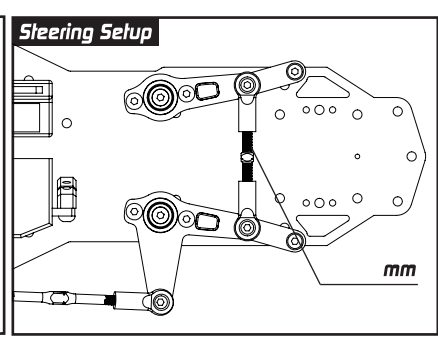
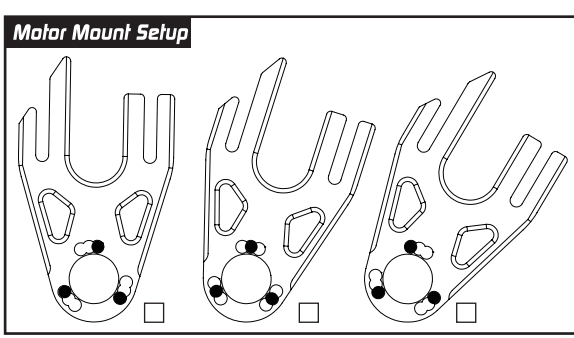
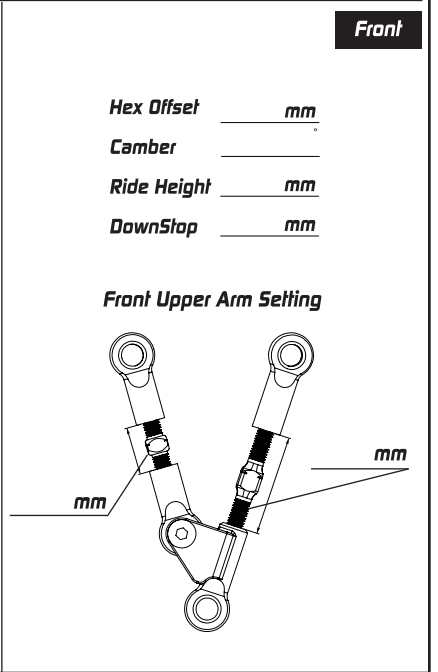
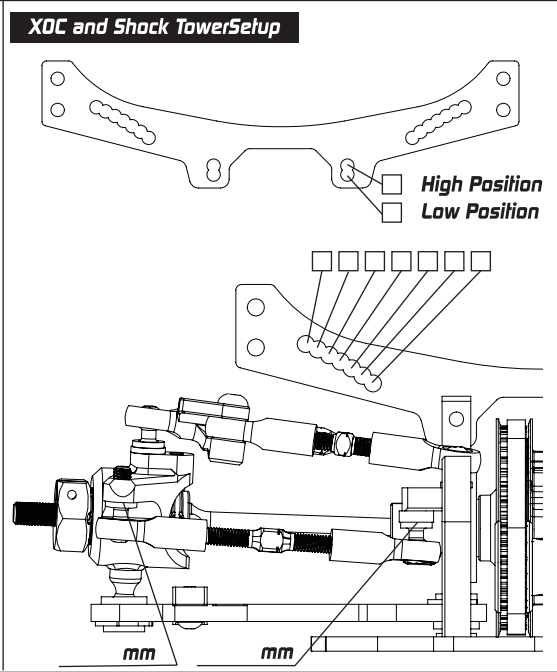
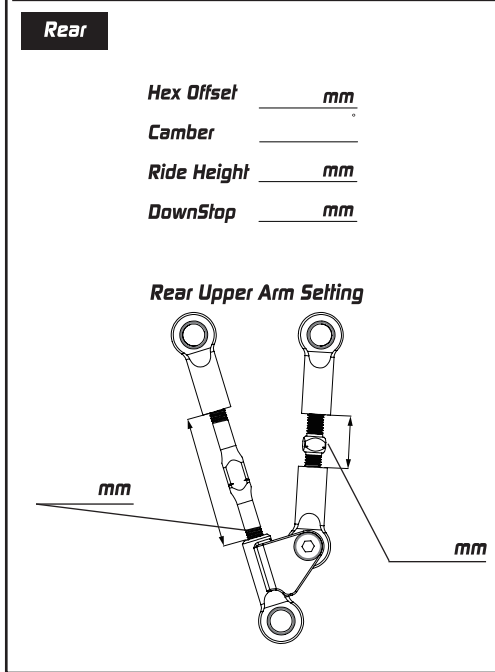
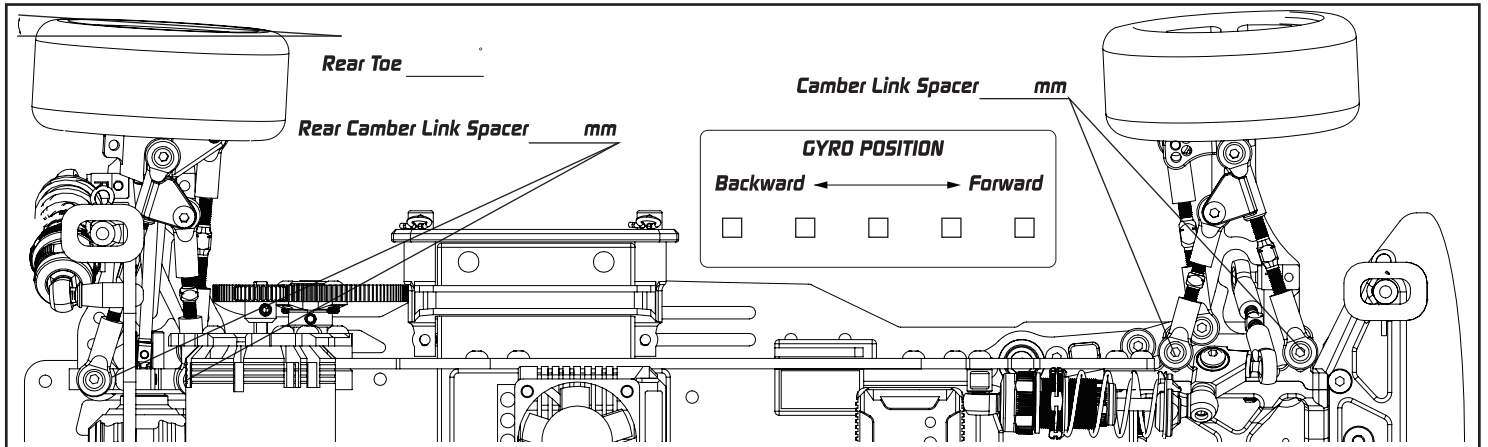


D1 Original Parts		D1 Original Parts	
Model Number	Product Name	Model Number	Product Name
XP-10001	Bumper Body Post & Antenna Holder	XP-10205	5.5mm Suspension Arm Ball 8mm Thread
XP-10002	4.8mm Ball End Set & Ball Bearing Hub	XP-10206	Aluminum Front Bulkhead Left
XP-10005	Battery Mount Set	XP-10207	Aluminum Front Bulkhead Right
XP-10008	Gear Differential Case and Cover	XP-10208	Aluminum Front Bulkhead Center
XP-10011	Gear Differential Repair Parts	XP-10209	Aluminum IFS Rocker Arm
XP-10012	Servo Horn/Saver Set & Lower Damper Mount	XP-10210	Aluminum IFS Rocker Arm Post
XP-10014	Rear Upright	XP-10211	Aluminum IFS Mount
XP-10022	Gear Differential Set	XP-10212	Graphite 2.0mm Steering Arm Left
XP-10046	5.5mm Suspension Arm Ball Inner Thread 10pcs	XP-10213	Graphite 2.0mm Steering Arm Right
XP-10053	Spur Gear 64P 116T	XP-10214	Aluminum Steering Arm Base
XP-10055	Body Clips 20pcs	XP-10215	Aluminum Servo Mount
XP-10095	Foam Bumper	XP-10216	Graphite 2.5mm Top Deck
XP-10119	Aluminum Shim 3x5.5x1.0mm Red 20pcs	XP-10217	Brass Gyro Mount
XP-10120	Aluminum Shim 3x5.5x2.0mm Red 20pcs	XP-10218	Graphite 3mm Rear Shock Tower
XP-10121	5.8mm Pivot Ball 8pcs	XP-10219	Graphite 2.5mm Main Chassis
XP-10125	Aluminum Gear Diff Outdrive Adapter 2pcs	XP-10233	Aluminum Steering Post
XP-10126	Steel Spool Outdrive Adapter 2pcs	XP-10234	Aluminum Steering Knuckle Set
XP-10128	Driveshaft Protector Blade 8pcs	XP-10235	Front Axle
XP-10129	Aluminum 5mm Wheel Hub Red 2pcs	XP-10236	4.8mm Ball End 5mm Thread 4pcs
XP-10133	Aluminum Solid Axle	XP-10237	4.8mm Ball End 6mm Thread 4pcs
XP-10134	Center Layshaft Pulley Set	XP-10238	4.8mm Ball End 8mm Thread 4pcs
XP-10141	Aluminum Low Profile Shock Set 2pcs	XP-10239	4.8mm Ball End 10mm Thread 4pcs
XP-10142	Aluminum Shock Body 2pcs	XP-10240	Aluminum Shim 3x5.5x1.0mm Red 10pcs
XP-10144	Execute XQ1 Composite Shock Parts Tree	XP-10241	Aluminum Shim 3x5.5x2.0mm Red 10pcs
XP-10145	Aluminum Lower Shock Cap 2pcs	XP-10243	Graphite 2.25mm Upper Bumper Holder
XP-10146	Aluminum Upper Shock Cap 2pcs	XP-10251	4.8mm Flat Type Ball End 15mm 4pcs
XP-10147	Shock Membrane 8pcs	XP-10252	4.8mm Flat Type Ball End 13mm 2pcs
XP-10148	4.8mm Ball End 5mm Thread 10pcs	XP-10253	4.8mm Flat Type Ball End 10mm 4pcs
XP-10149	4.8mm Ball End 6mm Thread 10pcs	XP-10254	4.8mm Low Profile Ball End Set
XP-10150	4.8mm Ball End 8mm Thread 10pcs	XP-10255	Camber Stiffener Link Ball End
XP-10151	4.8mm Ball End 10mm Thread 10pcs	XP-10273	Front Damper Post Set
XP-10159	Composite 1.1mm Piston Spacer Set	XP-10300	7075 Aluminum 16T Pulley Set
XP-10160	Shock O-RING 8pcs	XP-10319	Delrin Shock Piston 1.1mm 3 and 4 Hole 4pcs
XP-10161	Aluminum Spring Tension Adjust Nut 2pcs	XP-10328	Rear Lower Bulkhead Right
XP-10162	O Ring For Spring Adjust Nut 4pcs	XP-10329	Aluminum Pulley Shaft Set
XP-10167	Steel Universal Shaft Rear 2pcs	XP-10330	Steel Pinion Gear Set 48P28T 2pcs
XP-10179	Gear Differential Gasket 5pcs	XP-10331	Aluminum Esc Mount
XP-10181	Gear Differential Spacer 5x15x0.4mm 10pcs	XP-10332	Aluminum Motor Mount
XP-10182	Gear Differential Spacer 3.6x9.5x0.2mm 10pcs	XP-10333	Kevlar Drive Belt Rear 3 x 144 mm
XP-10183	Silicone Gear Differential O-RING 25x1mm 10pcs	XP-10352	Aluminum Shock Body 2pcs
XP-10184	Silicone Gear Differential O-RING 5x2mm 10pcs	XP-10353	Shock Shaft 2pcs
XP-10201	Graphite 3.0mm Front Lower Arm Left	XP-10365	Aluminum Wheel Adapter 6mm 2pcs
XP-10202	Graphite 3.0mm Front Lower Arm Right	XP-10366	M1.1 x 14 x 31mm 6.5T Spring Set 2pcs
XP-10203	Graphite 3.0mm Rear Lower Arm	XP-10367	M1.1 x 14 x 31mm 9.5T Spring Set 2pcs
XP-10204	Aluminum Steering Stopper	XP-10378	4 Hole Damper Piston 4pcs



		Pinion													
		25	26	27	28	29	30	31	32	33	34	35	36	37	
64 Pitch	114					9.34	9.03	8.73	8.46	8.20	7.96	7.74	7.52	7.32	
	115				9.75	9.42	9.10	8.81	8.54	8.28	8.03	7.80	7.59	7.38	
	116			10.20	9.84	9.50	9.18	8.89	8.61	8.35	8.10	7.87	7.65	7.45	
	117		10.69	10.29	9.92	9.58	9.26	8.96	8.68	8.42	8.17	7.94	7.72	7.51	
	118	11.21	10.78	10.38	10.01	9.66	9.34	9.04	8.76	8.49	8.24	8.01	7.78	7.57	
	119	11.31	10.87	10.47	10.09	9.75	9.42	9.12	8.83	8.56	8.31	8.08	7.85	7.64	
	120	11.40	10.96	10.56	10.18	9.83	9.50	9.19	8.91	8.64	8.38	8.14	7.92	7.70	
		Pinion													
		18	19	20	21	22	23	24	25	26	27	28	29	30	
48 Pitch	86					9.28	8.88	8.51	8.17	7.86	7.56	7.29	7.04	6.81	
	87				9.84	9.39	8.98	8.61	8.27	7.95	7.65	7.38	7.13	6.89	
	88			10.45	9.95	9.50	9.09	8.71	8.36	8.04	7.74	7.46	7.21	6.97	
	89		11.13	10.57	10.07	9.61	9.19	8.81	8.46	8.13	7.83	7.55	7.29	7.05	
	90	11.88	11.25	10.69	10.18	9.72	9.29	8.91	8.55	8.22	7.92	7.63	7.37	7.13	
	91	12.01	11.38	10.81	10.29	9.82	9.40	9.01	8.65	8.31	8.00	7.72	7.45	7.20	
	92	12.14	11.50	10.93	10.40	9.93	9.50	9.10	8.74	8.40	8.09	7.80	7.53	7.28	

Driver _____ Track Surface _____ Track Temperature _____
 Date _____ Track Traction _____ Result _____ Air Temperature _____
 Track _____ Country _____ Humidity _____ Remark _____



Damper Setup

	Front	Rear
Spring	_____	_____
Oil	_____	_____
Rebound	_____	_____
Piston	_____	_____
Length	_____	_____
Foam Insert	<input type="checkbox"/>	Foam Insert <input type="checkbox"/>
Hole In Cap	<input type="checkbox"/>	Hole In Cap <input type="checkbox"/>

Transmission Setup

Rear

Gear Diff _____

Oil _____

Weight _____ g

Others

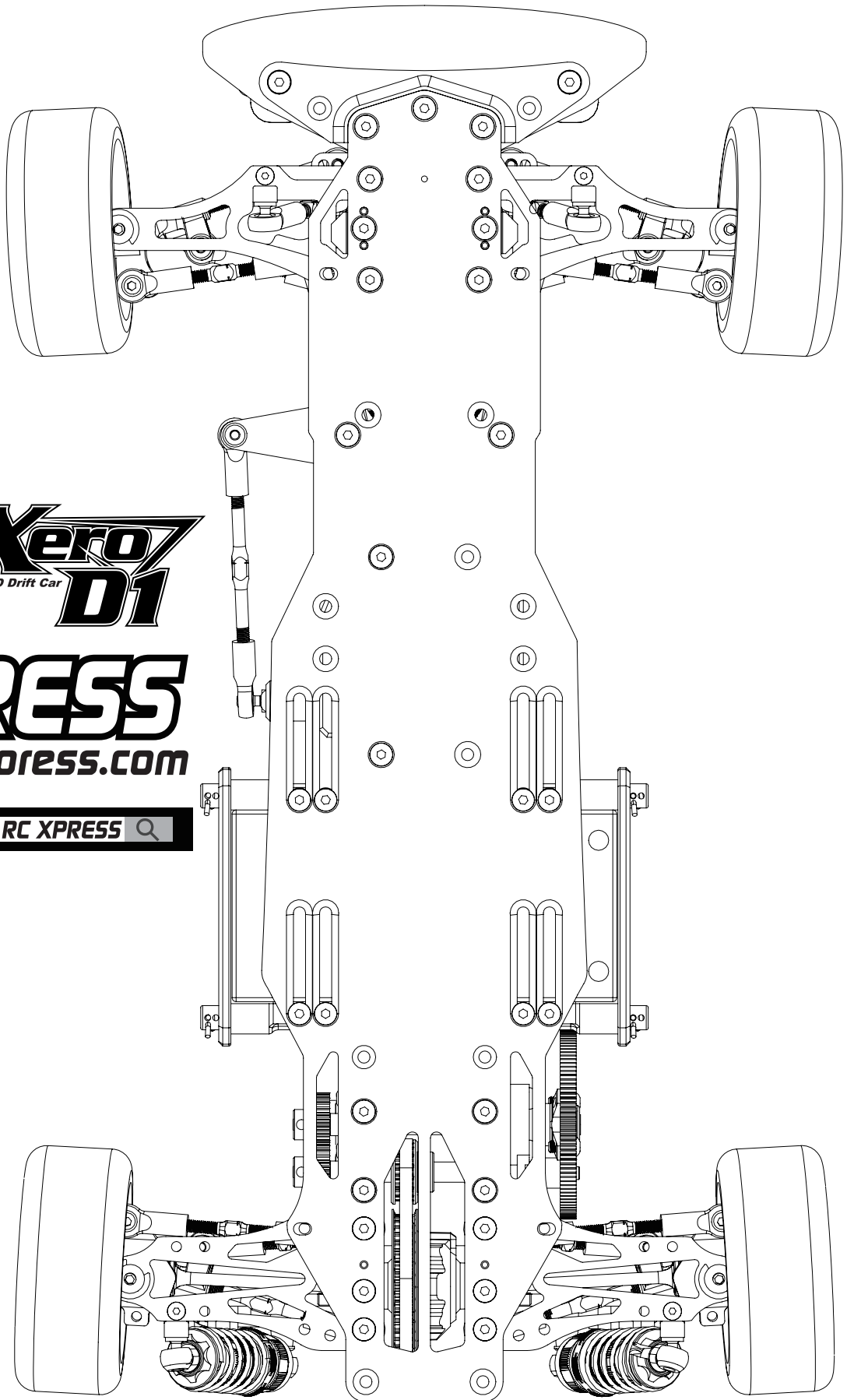
Servo _____ Tires _____

Esc _____ Gyro _____

Motor _____ Body _____

Spur _____ P/ T Rear Wing _____

Pinion _____ P/ T FDR _____



GripXero
1/10 High Performance RWD Drift Car
D1

XPRESS
www.rc-xpress.com

