

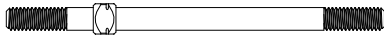
X-PRESS
www.rc-xpress.com

ARROWHEADS

INSTRUCTION MANUAL



Bag A



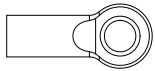
Steel Turnbuckle M3x50mm
XP-10924



Steel Turnbuckle M3x39mm
XP-10157
Optional: XP-40091

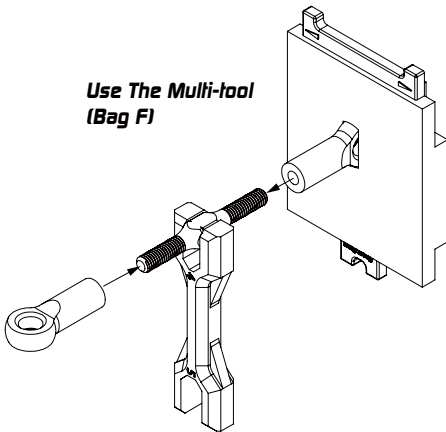


Steel Turnbuckle M3x29mm
XP-10156
Optional: XP-40089



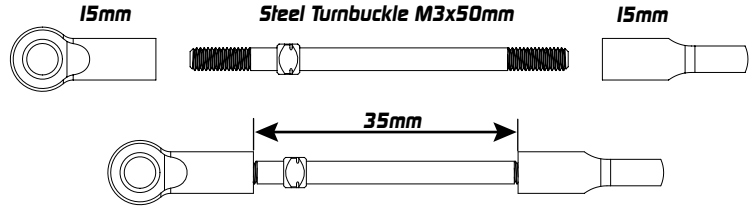
4.8mm Flat Type Ball End 15mm
XP-10251
Optional: XP-10636

Use The Multi-tool
(Bag F)



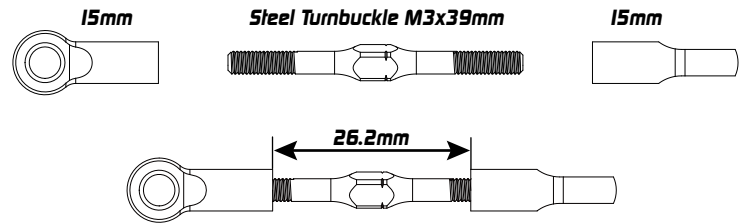
For Servo

1x



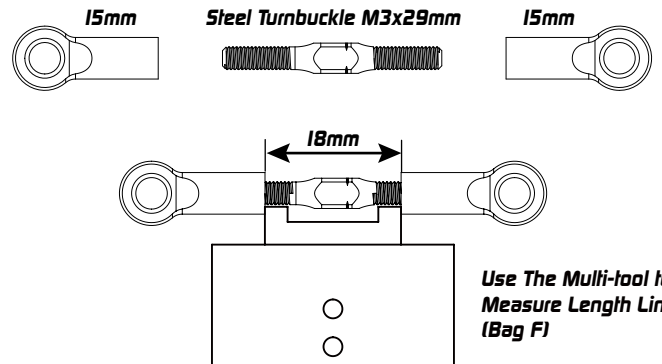
For Steering

2x



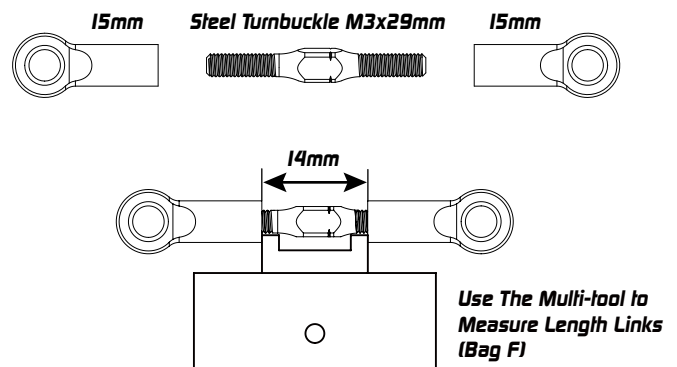
For Front Camber Link

2x



For Rear Camber Link

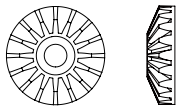
2x



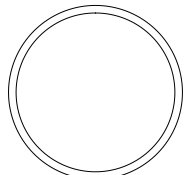
ARROW AT 15 2. Gear Diff Assembly



Bag B / HW / Bearing Bag



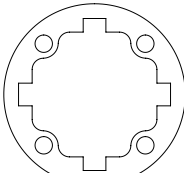
Bevel Gears (Big)
XP-10999 / XP-10996
Optional: XP-10884 + XP-10882



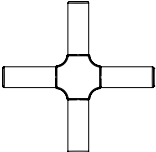
O-ring 21 x 1 mm
XP-10888 / XP-10996



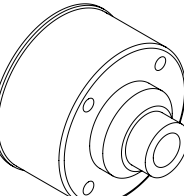
Bevel Gears (Small)
XP-10999 / XP-10996
Optional: XP-10884



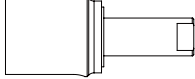
Diff Gasket
XP-10860 / XP-10996



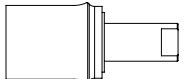
Gear Diff Cross Pin
XP-10999 / XP-10996
Optional: XP-10884



Gear Differential Case
XP-10995 / XP-10996
Optional: XP-10885



Gear Diff Outdrive Adapter (Long)
XP-10887 / XP-10996
Optional: XP-10941



Gear Diff Outdrive Adapter (Short)
XP-10887 / XP-10996
Optional: XP-10941



Bearing 8 x 12 x 3.5mm
XP-40196



Steel Shim 5 x 13 x 0.2mm
XP-10886 / XP-10996



Steel Shim 8x10x0.1mm
XP-40240



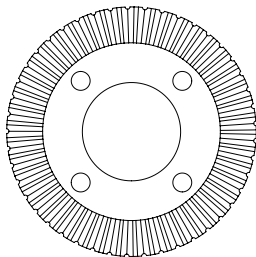
Steel Shim 3x5.0x0.1mm
XP-10886 / XP-10996



O-ring 5 x 2mm
XP-10930 / XP-10996



Flat Head Screw M2.5 x 8mm
XP-10886 / XP-40044 / XP-10996



Bevel Gear Set 40T
XP-10992 / XP-10996
Optional: XP-10939

Steel Shim 5 x 13 x 0.2mm

O-ring 5 x 2mm

Diff Gasket

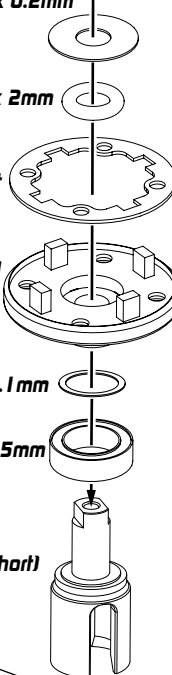
Gear Differential Cover

Steel Shim 8x10x0.1mm

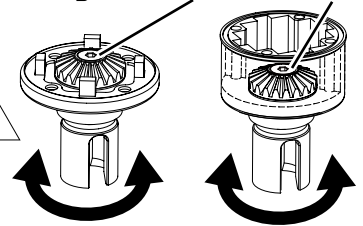
Ball Bearing 8x12x3.5mm

Gear Differential Outdrive Adapter (Short)

Spacer 3x5.0x0.1mm



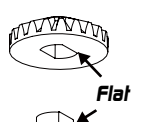
Do not overtighten, ensure smooth rotation



Important Apply Threadlocker
Prevent damage to gears due to loose screws

Flat Head Screw M2.5 x 8mm

Bevel Gears (Big)



Flat

Flat Head Screw M2.5 x 8mm

Important Apply Threadlocker
Prevent damage to gears due to loose screws

Bevel Gears (Small)

Gear Diff Cross Pin

Flat Head Screw M2.5 x 8mm

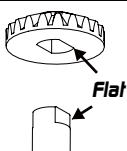
Bevel Gears (Big)

O-ring 5 x 2mm

Steel Shim 5x13x0.2mm

O-ring 21 x 1 mm

Track Condition
Low Grip → High Grip
1.1g Diff Oil
3000cst → 15000cst



Flat

Gear Differential Case

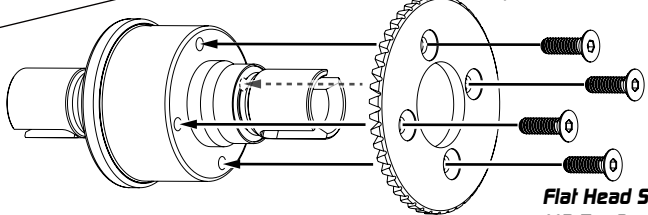
Steel Shim 8x10x0.1mm

Bearing 8 x 12 x 3.5mm

5000cst Differential Silicone Oil

Gear Diff Outdrive Adapter (Long)

Bevel Gear Set 40T

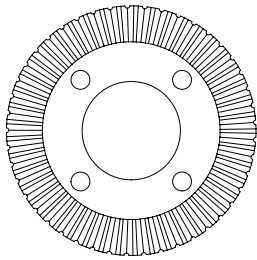


Flat Head Screw M2.5 x 8mm

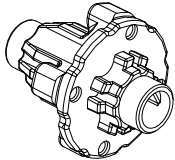
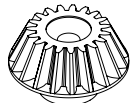
3. Spool & Propeller Shaft Assembly



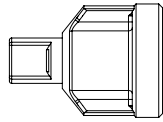
Bag C, D / Bearing / HW Bag



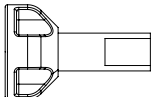
Bevel Gear Set 40T/17T
XP-10992
 Optional: **XP-10939**



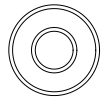
Shaft Driven Spool Set
XP-10997
 Optional: **XP-10847**



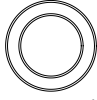
Shaft Driven Spool Set
XP-10997 / XP-10994
 Optional: **XP-11037**
 Optional: **XP-10962 + XP-10334**
 +**XP-40063**



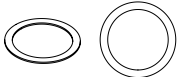
Plastic Propeller Shaft Axle & Cup
XP-11003
 Optional: **XP-10703 / XP-10993**



Ball Bearing 5x12x4.0mm
XP-40195



Ball Bearing 8x12x3.5mm
XP-40196



Steel Shim 8x10x0.1mm
XP-40240



Flat Head Hex Screw M2.5x8mm
XP-40044



Flat Head Hex Screw M2.5x10mm
XP-40241



Flat Head Hex Screw M2.5x15mm
XP-40200

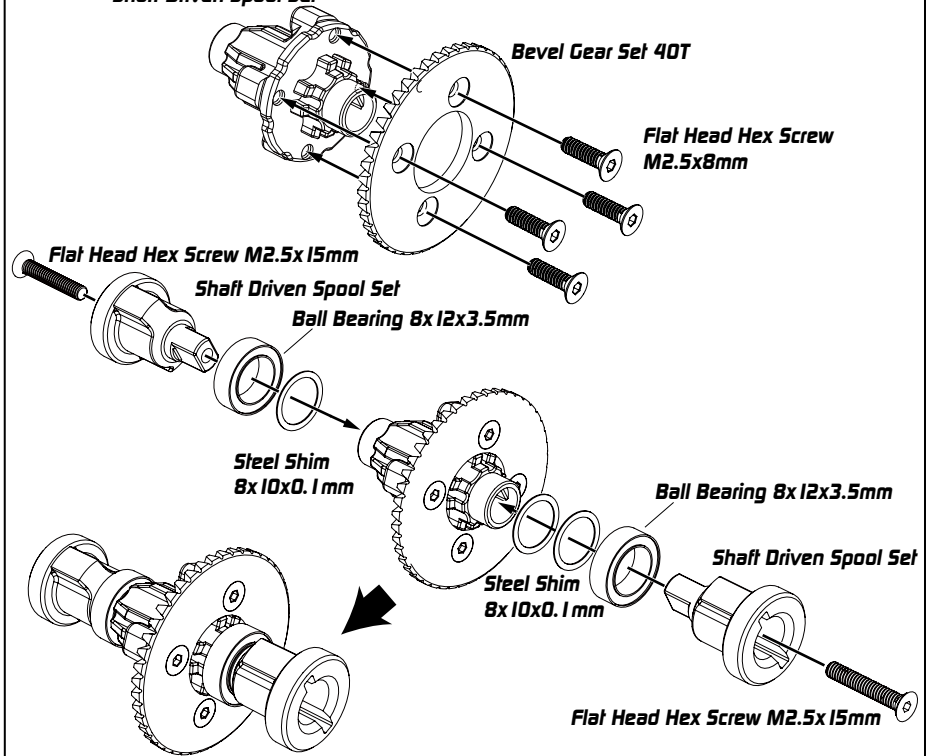


Steel Pin 2.5x10mm
XP-40239

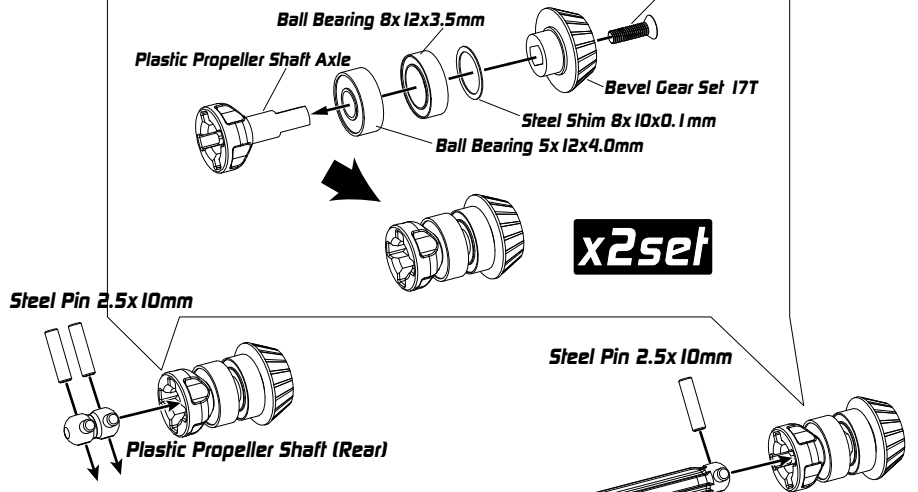


Plastic Propeller Shaft (Rear)
XP-10881
 Optional: **XP-10993**

Shaft Driven Spool Set



Flat Head Hex Screw M2.5x10mm

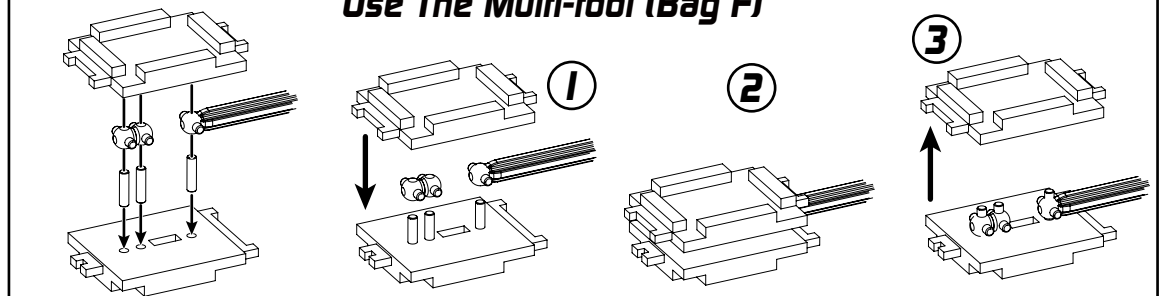


x2set

Steel Pin 2.5x10mm

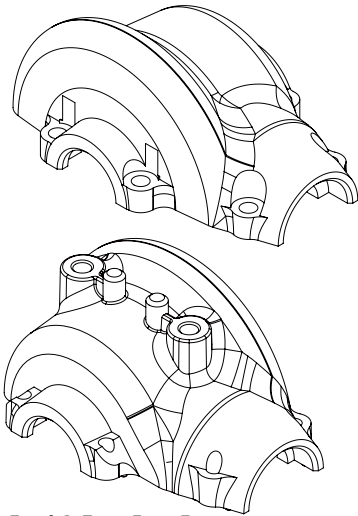
Plastic Propeller Shaft (Front)
XP-10881
 Optional: **XP-10703**

Use The Multi-tool (Bag F)





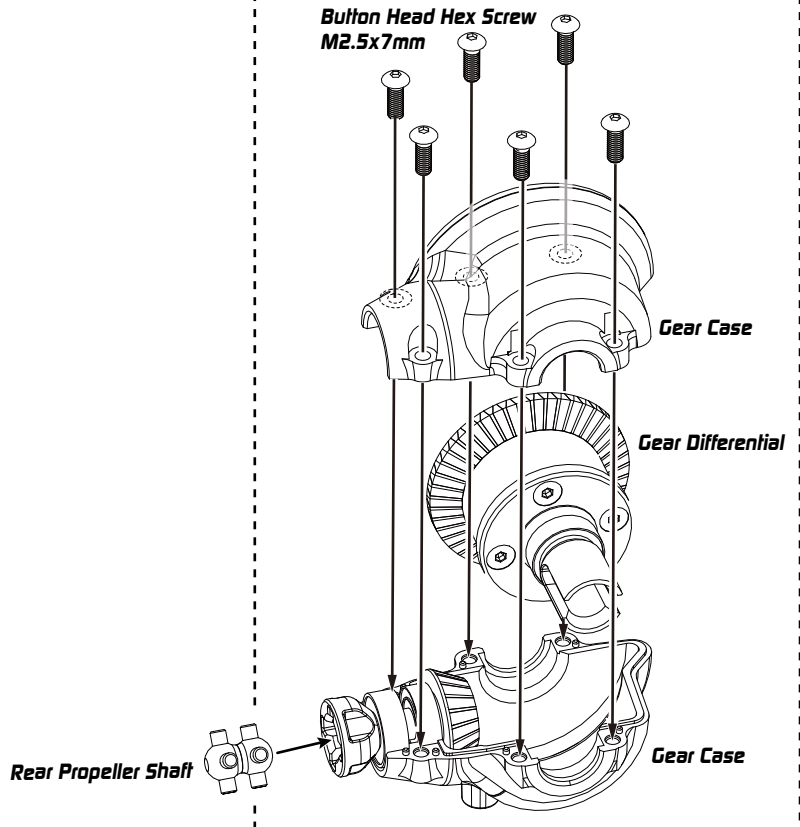
Bag D , E / HW Bag



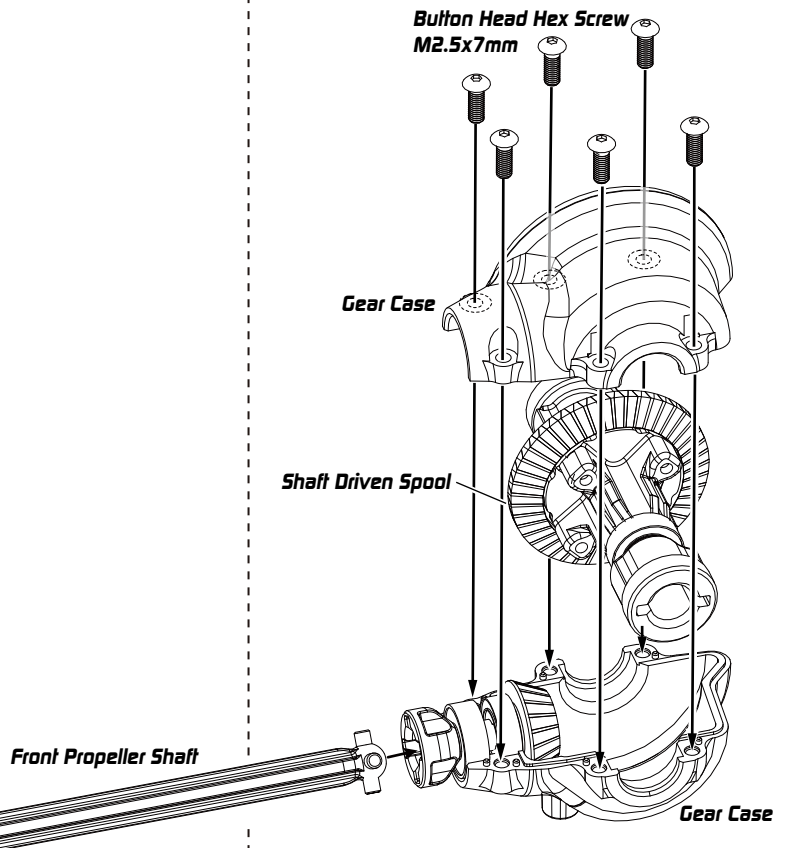
Front & Rear Gear Case
XP-10701

 Bolt Head Hex Screw 2.5x7mm
XP-40115

Rear Gear Box Unit

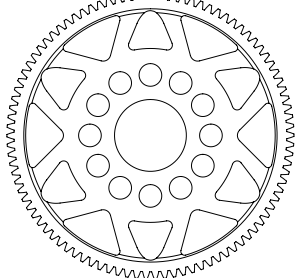


Front Gear Box Unit

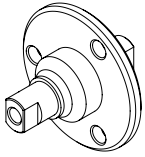




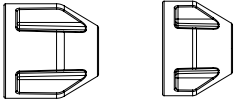
Bag G, H / HW Bag



Composite Spur Gear 64P 94T
XP-40122



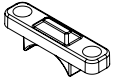
Spur Gear Adapter
XP-11002



Plastic Driven Propeller Shaft Axle & Cup
XP-11003



Ball Bearing 5x9x3mm
XP-40062



Spur Gear Mount Plate
XP-10848



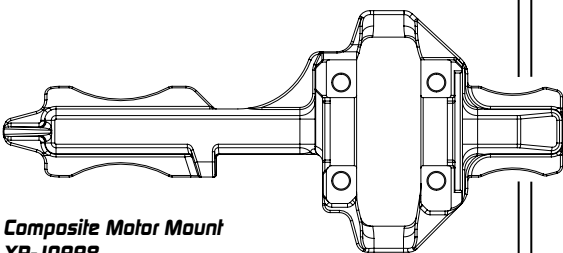
Button Head Hex Screw M2.5x7mm
XP-40115



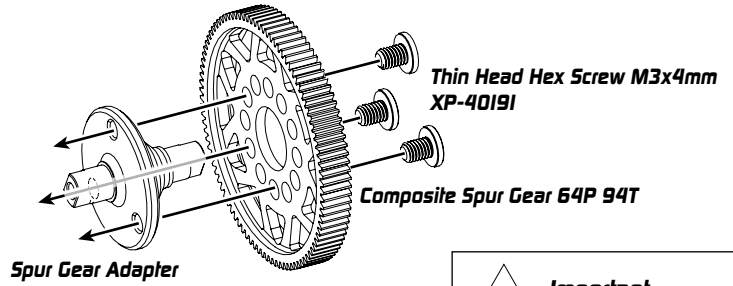
Thin Head Hex Screw M3x4mm
XP-40191



Flat Head Screw M2.5 x 8mm
XP-40044



Composite Motor Mount
XP-10998



Thin Head Hex Screw M3x4mm
XP-40191

Composite Spur Gear 64P 94T

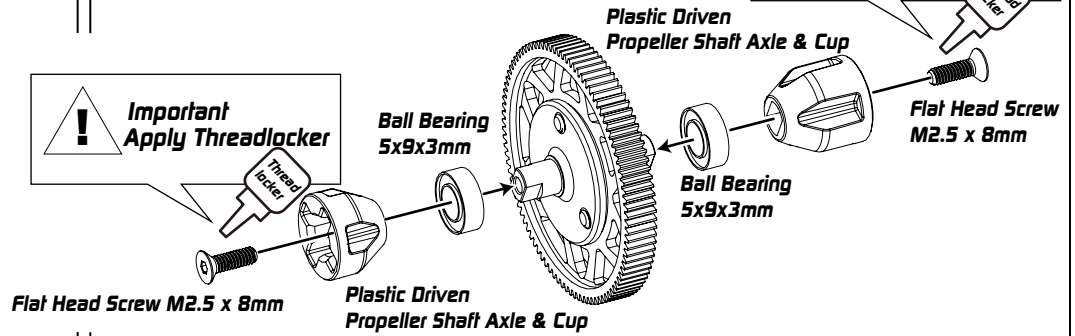
Spur Gear Adapter



Important
Apply Threadlocker



Important
Apply Threadlocker



Plastic Driven Propeller Shaft Axle & Cup

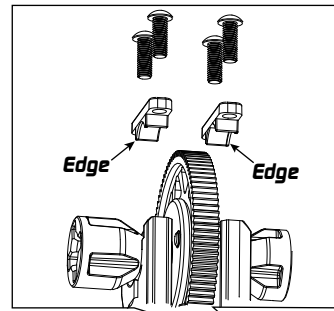
Ball Bearing 5x9x3mm

Flat Head Screw M2.5 x 8mm

Ball Bearing 5x9x3mm

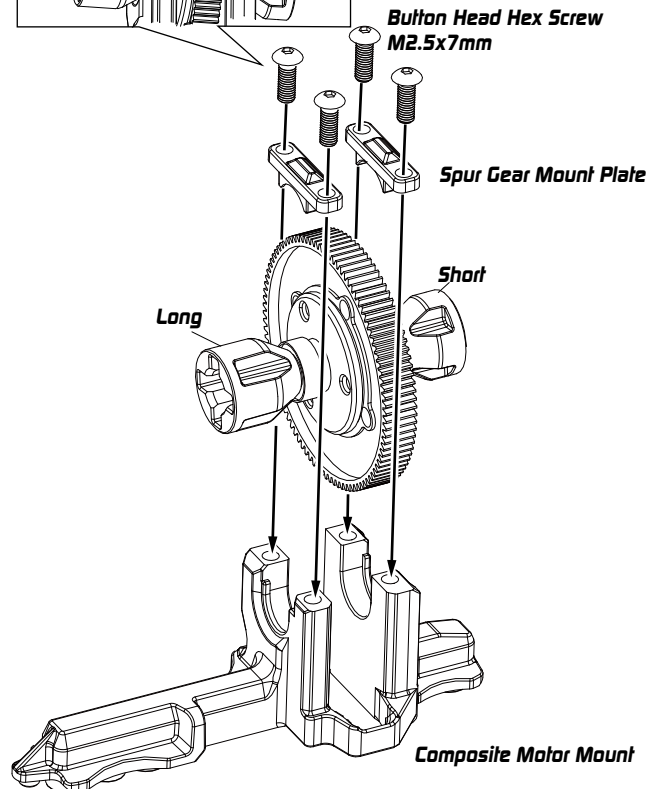
Plastic Driven Propeller Shaft Axle & Cup

Flat Head Screw M2.5 x 8mm



Edge **Edge**

Button Head Hex Screw M2.5x7mm



Spur Gear Mount Plate

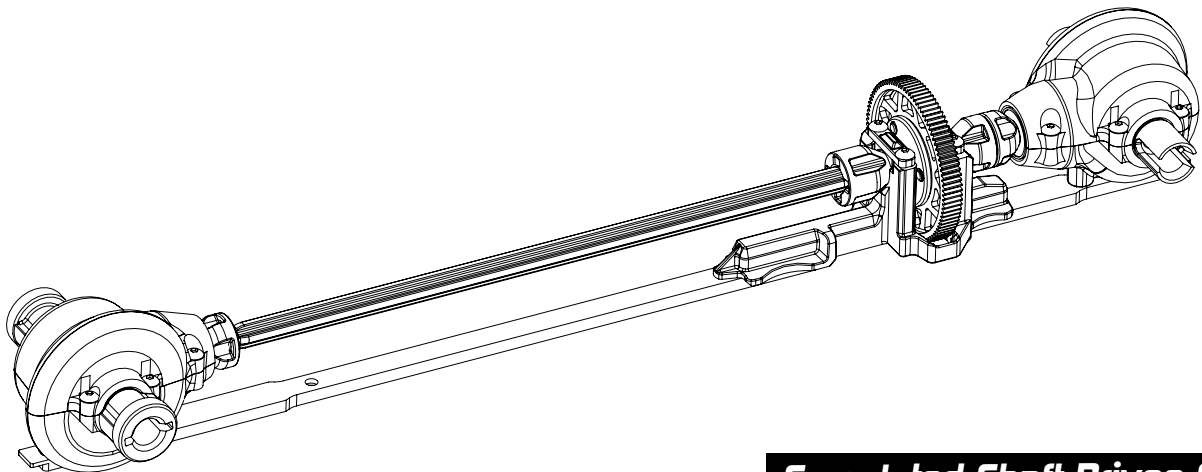
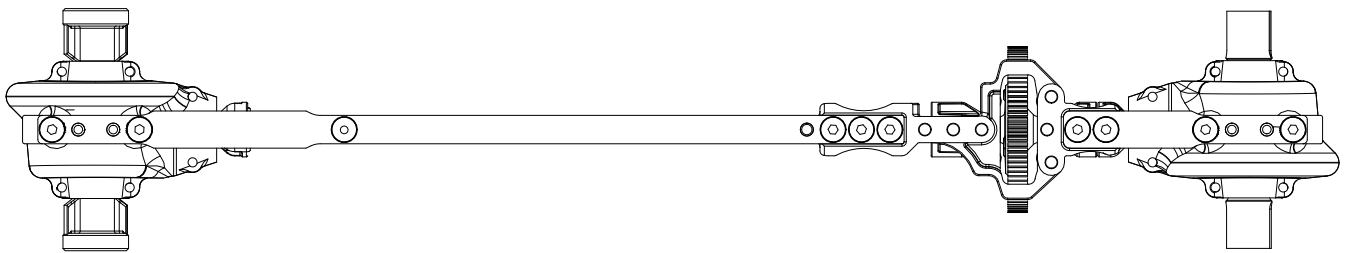
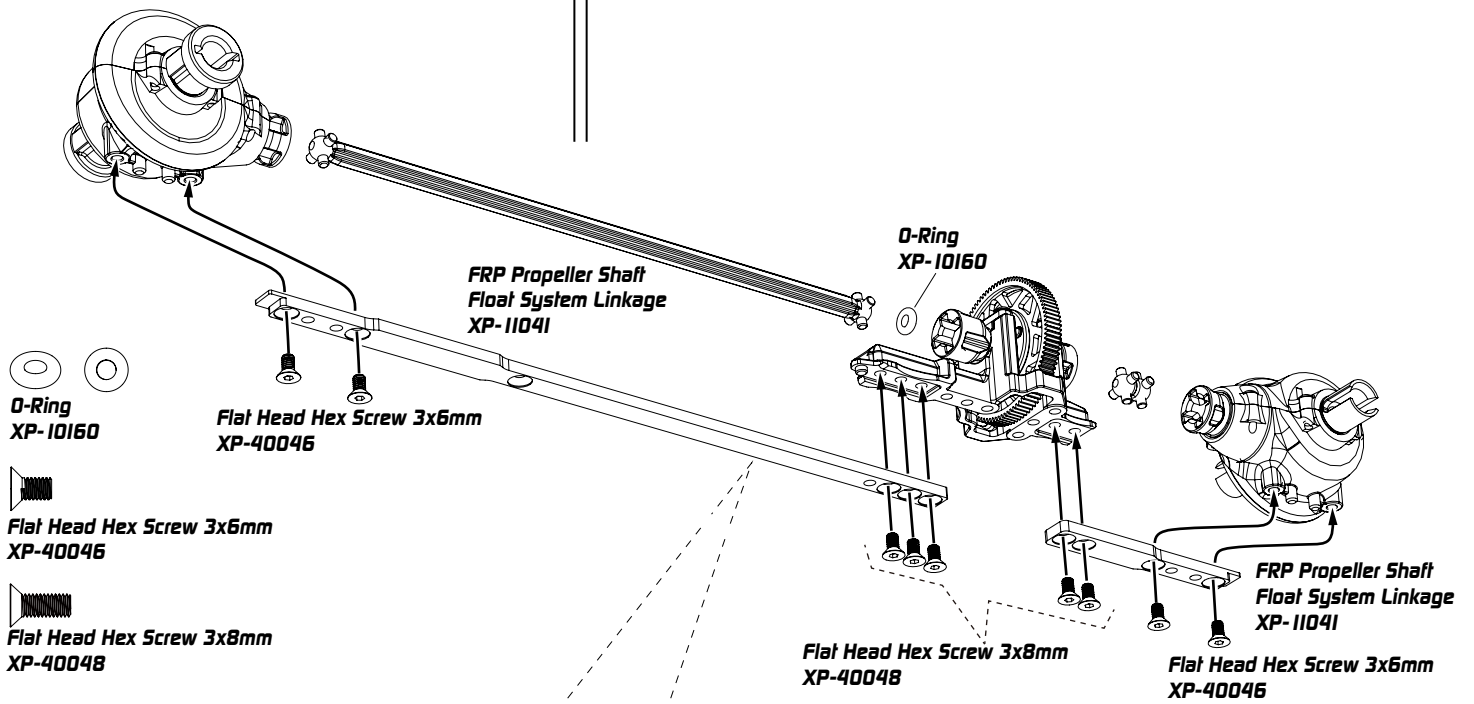
Short

Long

Composite Motor Mount



Chassis Bag / HW Bag



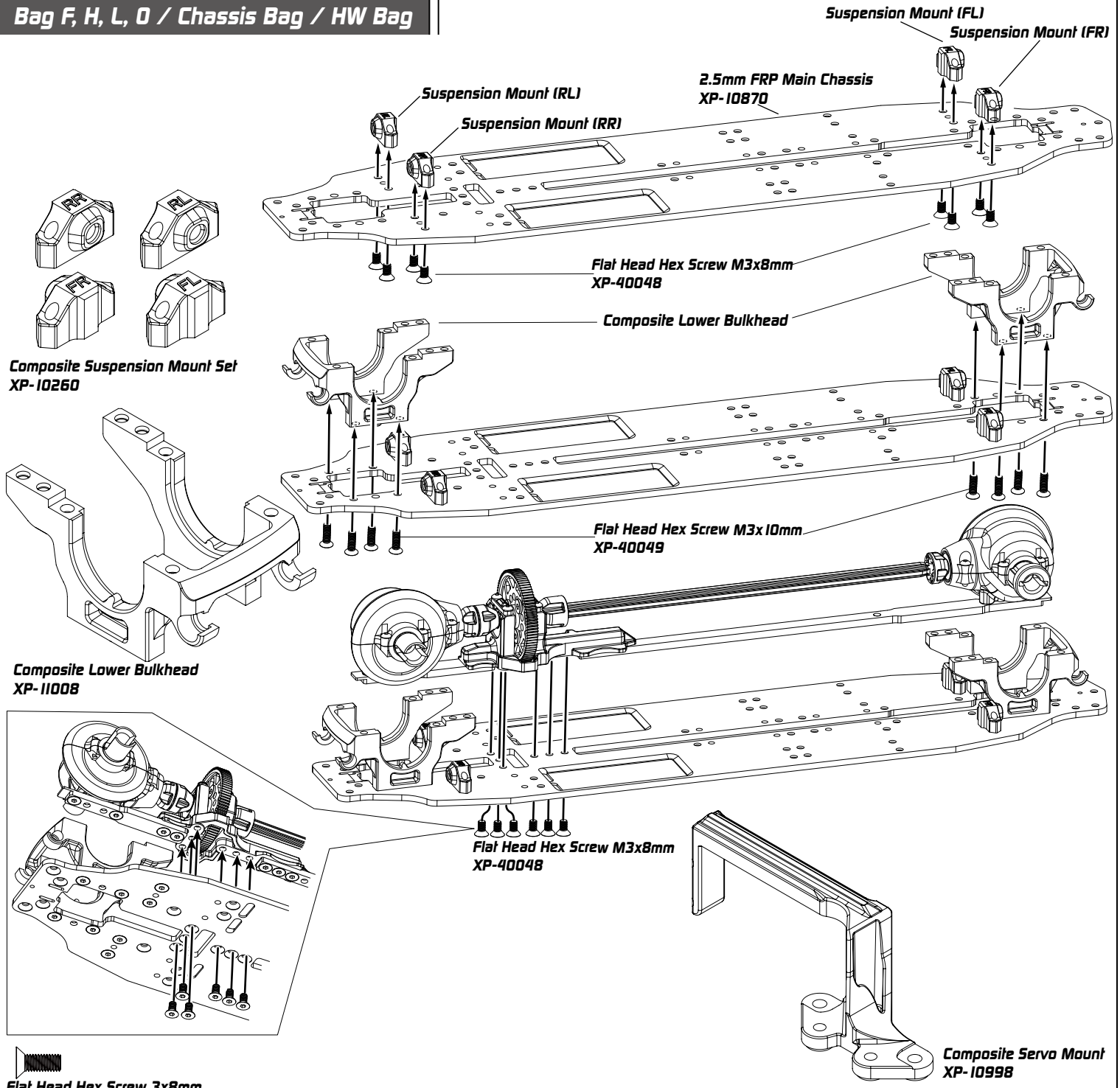
Completed Shaft Driven System

7. Bulkhead, Driven & Suspension Assembly

ARROW AT15



Bag F, H, L, O / Chassis Bag / HW Bag



Flat Head Hex Screw 3x8mm XP-40048

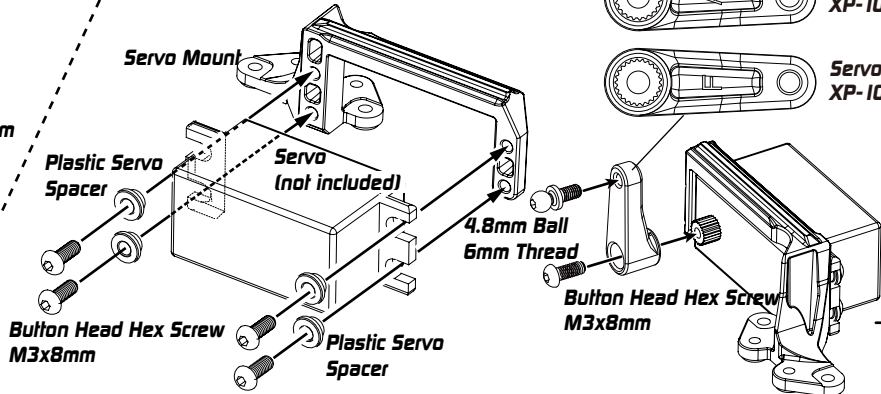
Flat Head Hex Screw 3x10mm XP-40049

Button Head Hex Screw M3x8mm XP-40038

4.8mm Ball 6mm Thread XP-10149

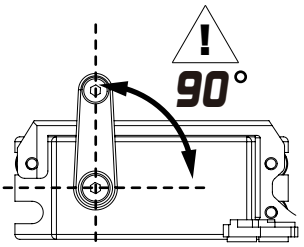
Plastic Servo Spacer XP-10848

Servo unit



Servo Horn 23T for Sanwa, KO XP-10163

Servo Horn 25T for Futaba XP-10163



8. Driven System & Steering Assembly

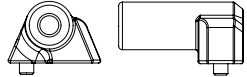
ARROW AT15



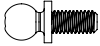
Bag G, I, J / Bearing Bag / HW Bag



Steel Steering Post
XP-10873 Optional : XP-10705



Composite Battery Stopper
XP-10848
Optional : XP-10709



4.8mm Ball 6mm Thread
XP-10149



Flat Head Hex Screw M3x6mm
XP-40046



Flat Head Hex Screw 3x8mm
XP-40048



Flat Head Hex Screw M3x10mm
XP-40049



Button Head Hex Screw M3x8mm
XP-40038



Button Head Hex Screw M3x6mm
XP-40037



Button Head Hex Screw M3x4mm
XP-40238



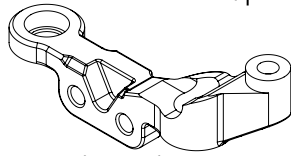
Ball Bearing 3x6x2.5mm
XP-40060



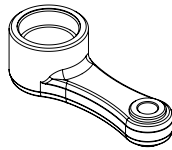
Ball Bearing 5x8x2.5mm
XP-40061



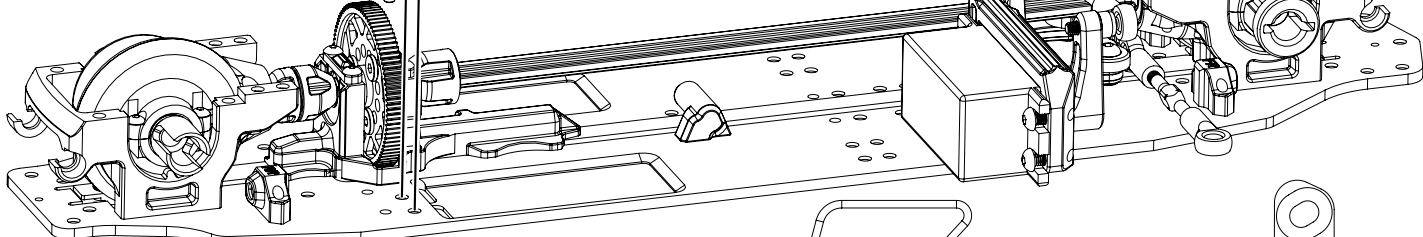
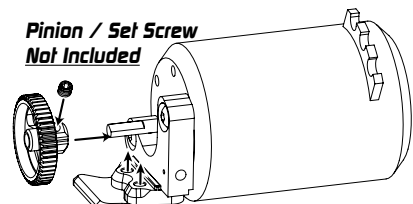
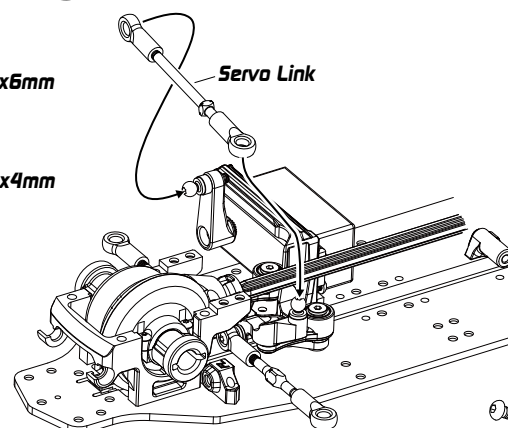
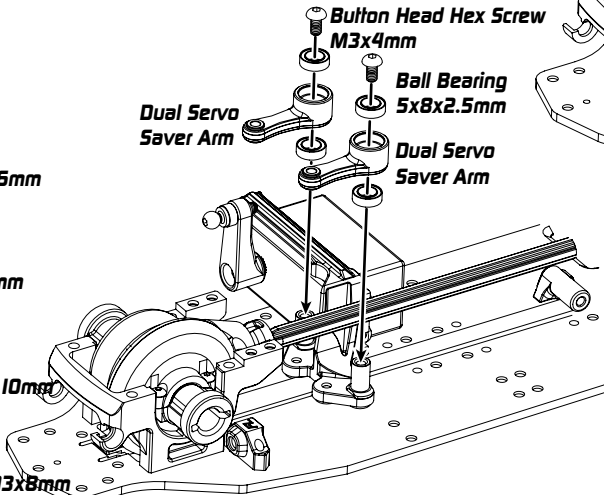
Composite Shim 3x5.5x1.0mm
XP-11007 (BAG J)
Optional : XP-10240



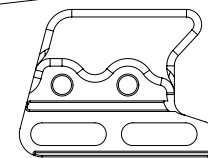
Composite Steering Set
XP-11019
Optional : XP-10838 + XP-10859



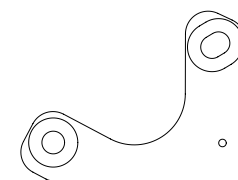
Composite Steering Set
XP-11019 Optional : XP-10650



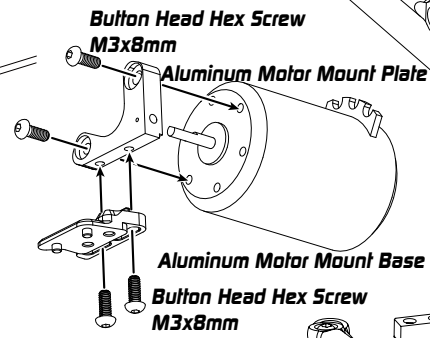
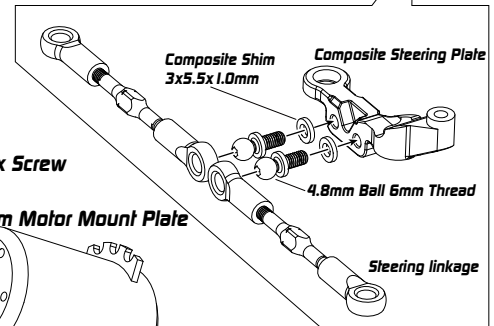
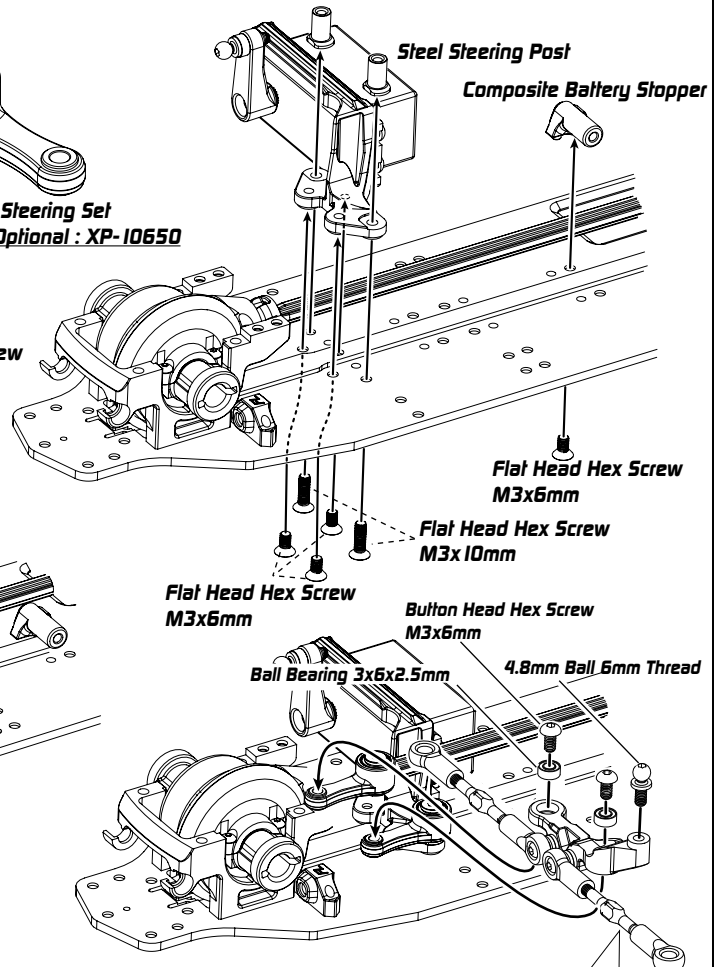
Flat Head Hex Screw M3x8mm



Aluminum Motor Mount Base
XP-10849



Aluminum Motor Mount Plate
XP-11000

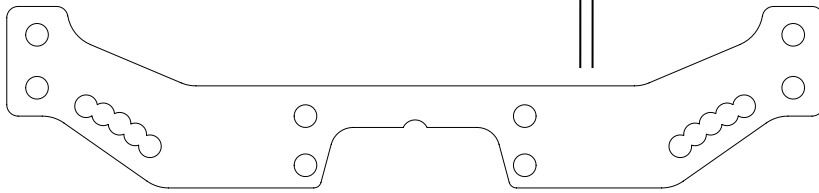


9. Upper Deck

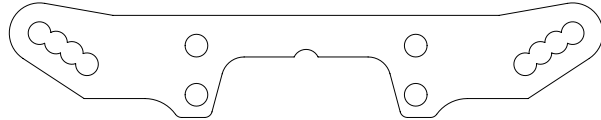
ARROW AT15 & Camberlink Plate Assembly



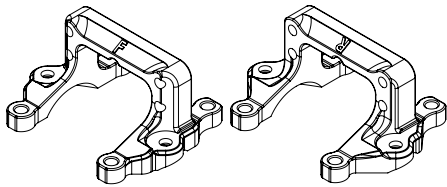
Bag J , K / HW Bag / Chassis Bag



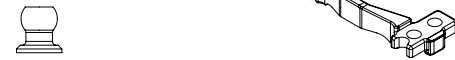
FRP Rear Shock Tower Plate
XP-10879
Optional : XP-10904



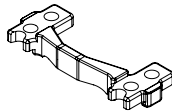
FRP Front Shock Tower Plate
XP-10878
Optional : XP-10903



Composite Upper Bulkhead
XP-11007



4.8mm Ball Inner Thread
XP-10045



Composite Bulkhead Plate
XP-11007



Bulnon Head Hex Screw M3x6mm
XP-40037



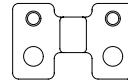
Bulnon Head Hex Screw M3x8mm
XP-40038



Bulnon Head Hex Screw M3x10mm
XP-40039



Flat Head Hex Screw 3x6mm
XP-40046



Composite Upper Deck Stiffener
XP-10643
Optional: XP-10566

Bulnon Head Hex Screw M3x6mm
Bulnon Head Hex Screw M3x10mm

Bulnon Head Hex Screw M3x10mm

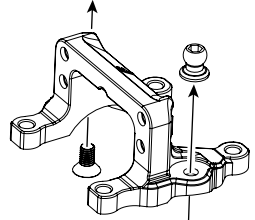
Composite Upper Deck Stiffener

Bulkhead Plate

2mm FRP Upper Deck
XP-10869
Optional : XP-10708

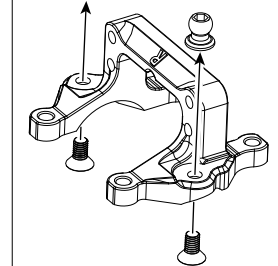
Bulkhead Plate

4.8mm Ball Inner Thread



Flat Head Hex Screw M3x6mm

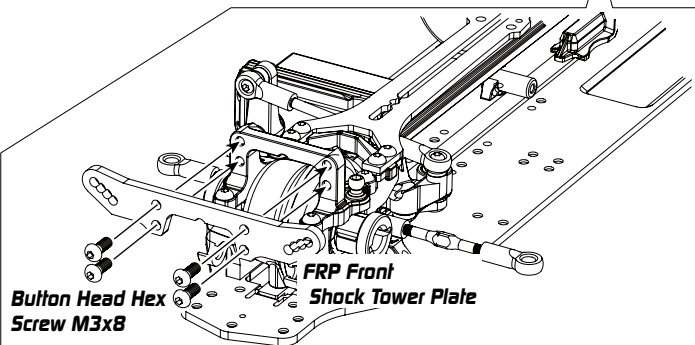
4.8mm Ball Inner Thread



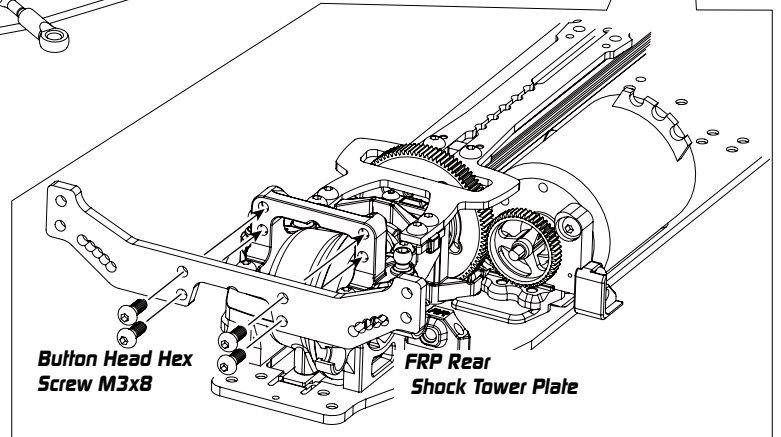
Flat Head Hex Screw M3x6mm

Bulnon Head Hex Screw M3x10mm

Bulnon Head Hex Screw M3x10mm



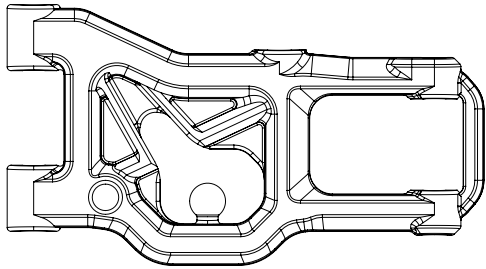
FRP Front Shock Tower Plate
Bulnon Head Hex Screw M3x8



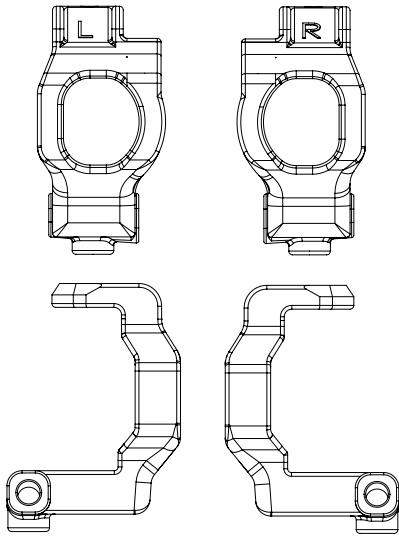
FRP Rear Shock Tower Plate
Bulnon Head Hex Screw M3x8



Bag K, M / HW Bag



Strong Front And Rear Composite Suspension Arms V2
XP-10922 Optional: XP-10923



Strong Composite V2 C Hub 4 Degree
XP-10400 Optional: XP-10810

3.0mm Outer Suspension pin w/ Groove
XP-10602

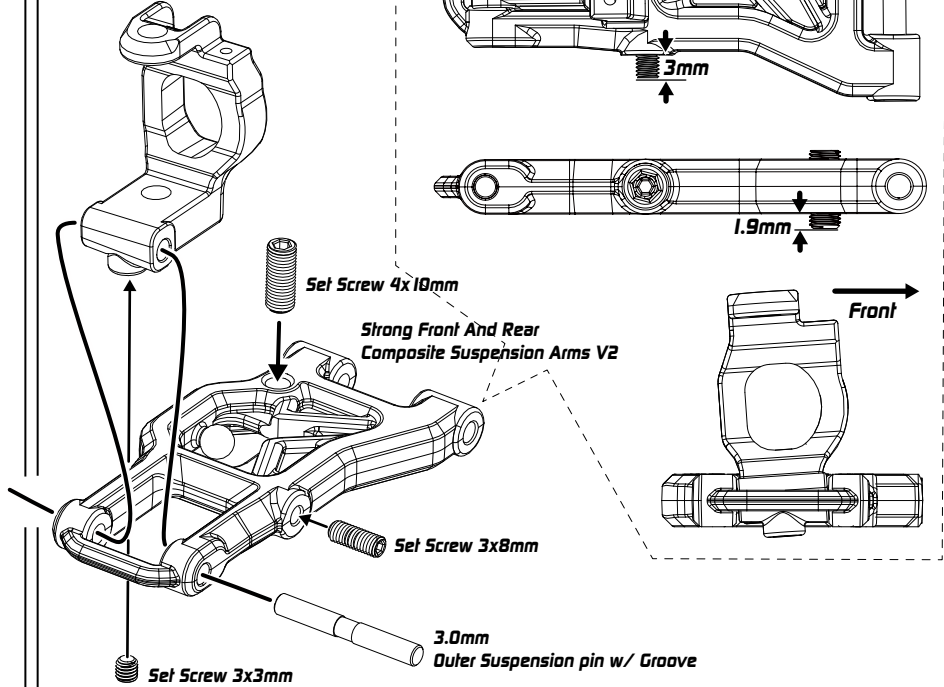
Set Screw 4x10mm
XP-40056

Set Screw 3x8mm
XP-40054

Set Screw M3 x 3mm
XP-40052

Right

Strong Composite V2 C Hub 4 Degree



Set Screw 4x10mm

Strong Front And Rear Composite Suspension Arms V2

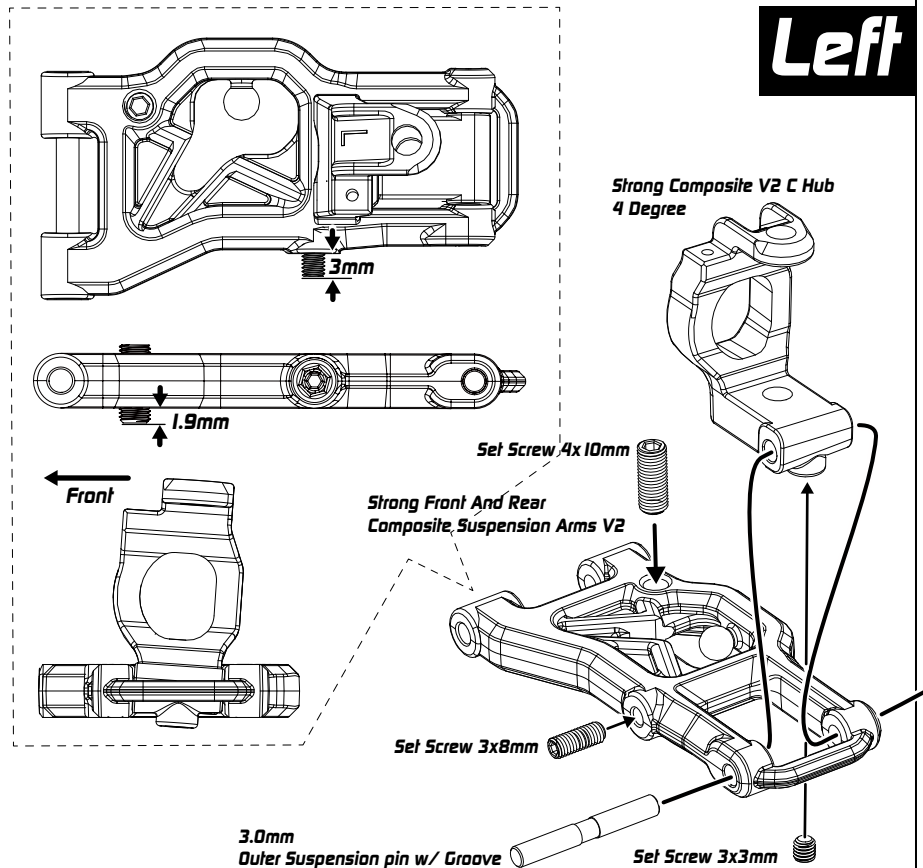
Set Screw 3x8mm

3.0mm Outer Suspension pin w/ Groove

Set Screw 3x3mm

Front

Left



Strong Composite V2 C Hub 4 Degree

Set Screw 4x10mm

Strong Front And Rear Composite Suspension Arms V2

Set Screw 3x8mm

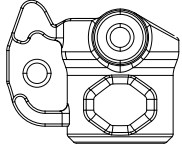
3.0mm Outer Suspension pin w/ Groove

Set Screw 3x3mm

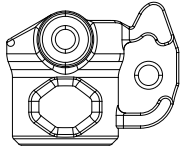
Front



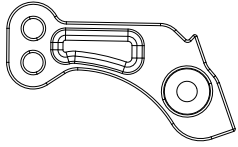
Bag N / Bearing Bag / HW Bag



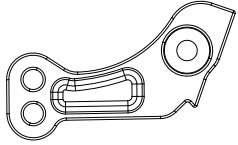
Composite Steering Block Right
XP-10109
Optional XP-10247



Composite Steering Block Left
XP-10109
Optional XP-10247



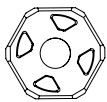
Composite Steering Block Plate Right
XP-10109
Optional XP-10247, XP-10222



Composite Steering Block Plate Left
XP-10109
Optional XP-10247, XP-10222



Ball Bearing 5 x 10 x 4mm
XP-40064



Composite Wheel Hub
XP-10262
Optional XP-10129, XP-20015, XP-20016



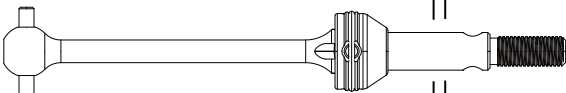
Pin 2 x 9.8mm
XP-40069



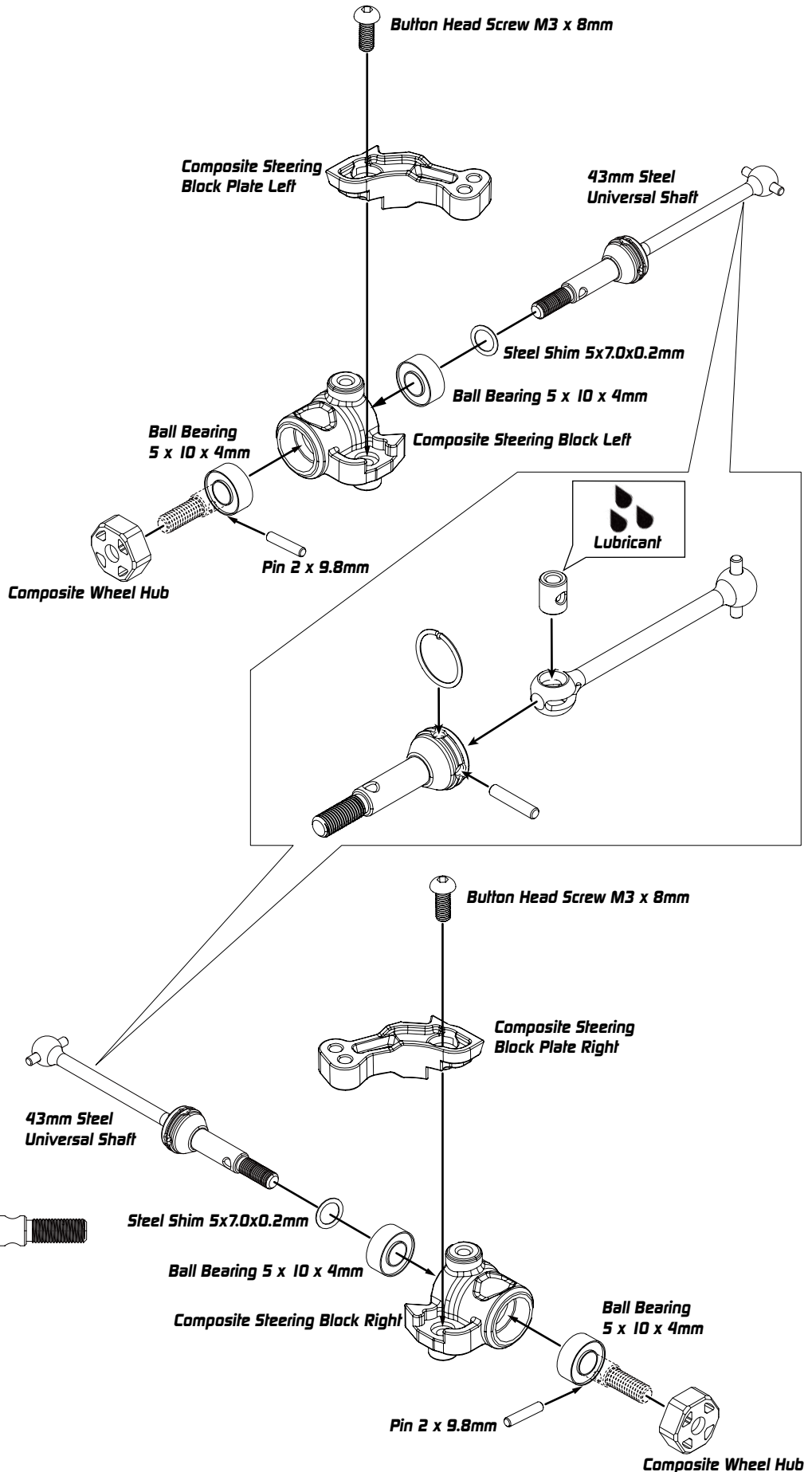
Bulb Head Screw M3 x 8mm
XP-40038



Steel Shim 5x7.0x0.2mm
XP-40086



43mm Steel Universal Shaft 2pcs For AT15
XP-10244
Optional : XP-10166 + XP-40063



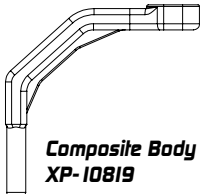


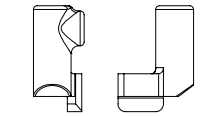
Bag H, M, N / HW Bag

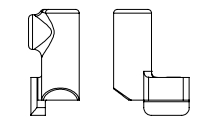
 **Flanged King Pin Collar**
XP-10401

 **King Pin**
XP-10401

 **4.8mm Ball 8mm Thread**
XP-10150


 **Composite Body Support Brace**
XP-10819

 **Composite Body Support Base - Left**
XP-10819

 **Composite Body Support Base - Right**
XP-10819

 **Hex Screw Button Head M2 x 6mm**
XP-40101

 **Set Screw M3 x 3mm**
XP-40052

 **Composite Shim 3x5.5x4.0mm**
XP-10848 (Bag H)
Optional: XP-10241 (2mm Shim)

Right

Composite Body Support Brace

M2 x 6mm Button Head Screw
4.8mm Ball 8mm Thread

Composite Body Support Base Right

Hex Set Screw M3 x 3mm

Flanged King Pin Collar

King Pin

Composite Body Support Brace

M2 x 6mm Button Head Screw
4.8mm Ball 8mm Thread

Hex Set Screw M3 x 3mm

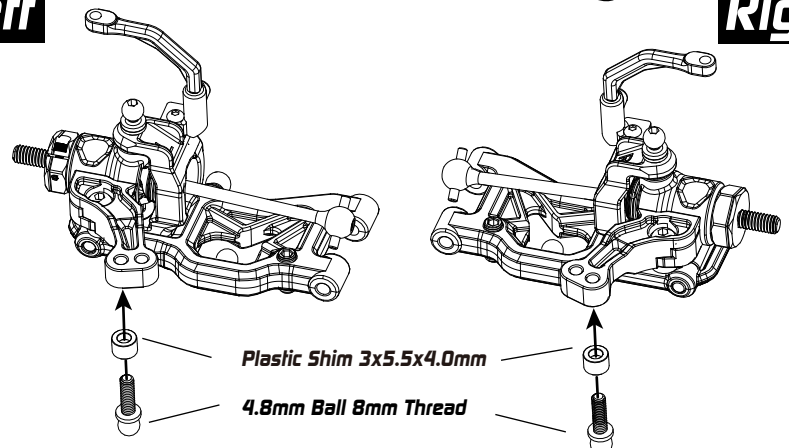
King Pin

Flanged King Pin Collar

Left

Left

Right



Plastic Shim 3x5.5x4.0mm

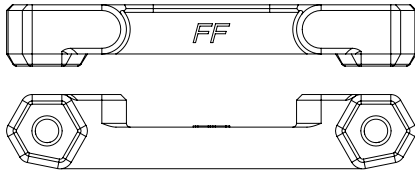
4.8mm Ball 8mm Thread

13. Front Arm & Rear Upright

ARROW AT15



Bag L , O / Bearing Bag / HW Bag



Composite Suspension Mount - FF
XP-10260
Optional: XP-10114 + XP-10127



3.0mm Suspension Pivot Pin
XP-10139



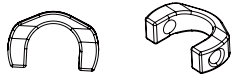
Flat Head Hex Screw M3x8mm
XP-40048



4.8mm Ball 6mm Thread
XP-10149



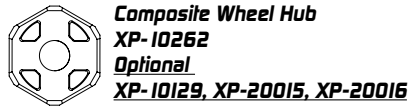
Steel Pin 2X9.8mm
XP-40069



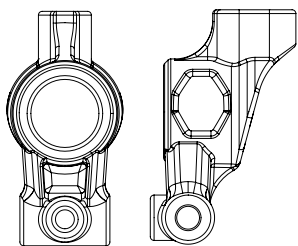
Driveshaft Protector Blade
XP-10128



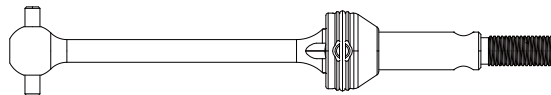
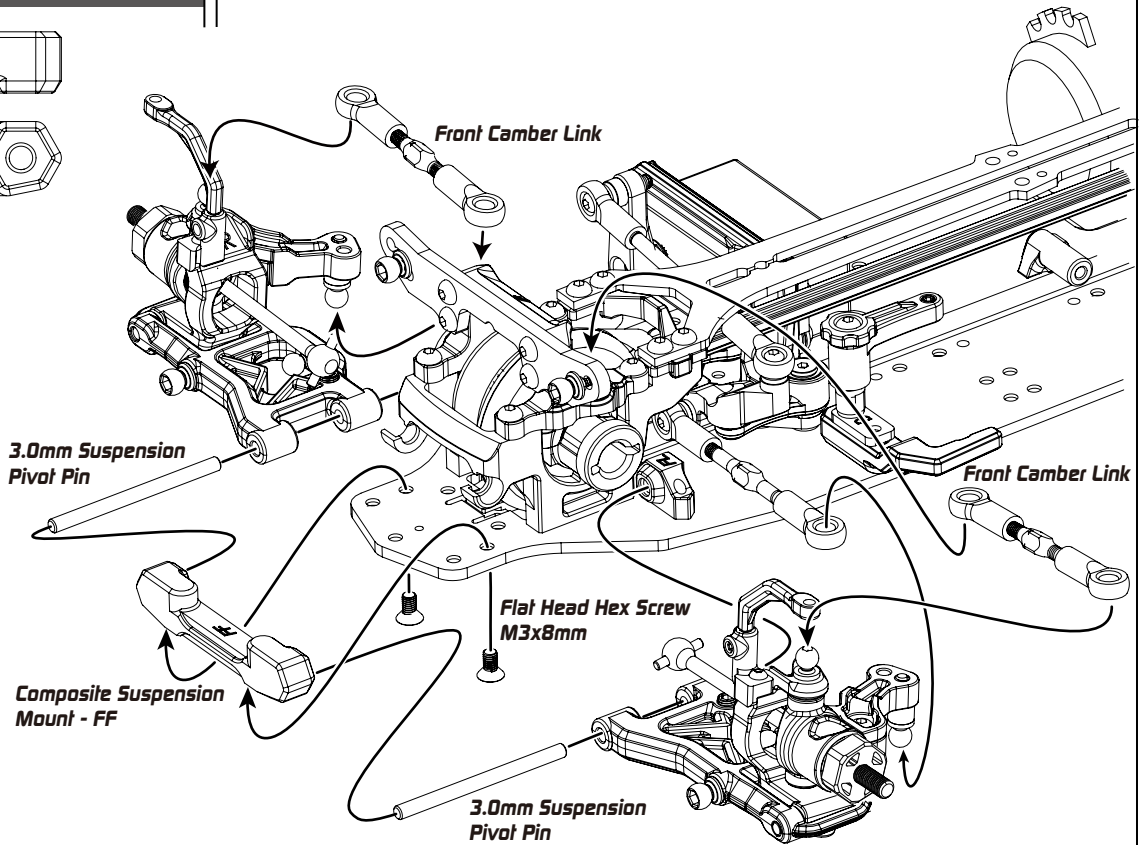
Ball Bearing 5x10x4mm
XP-40064



Composite Wheel Hub
XP-10262
Optional
XP-10129, XP-20015, XP-20016

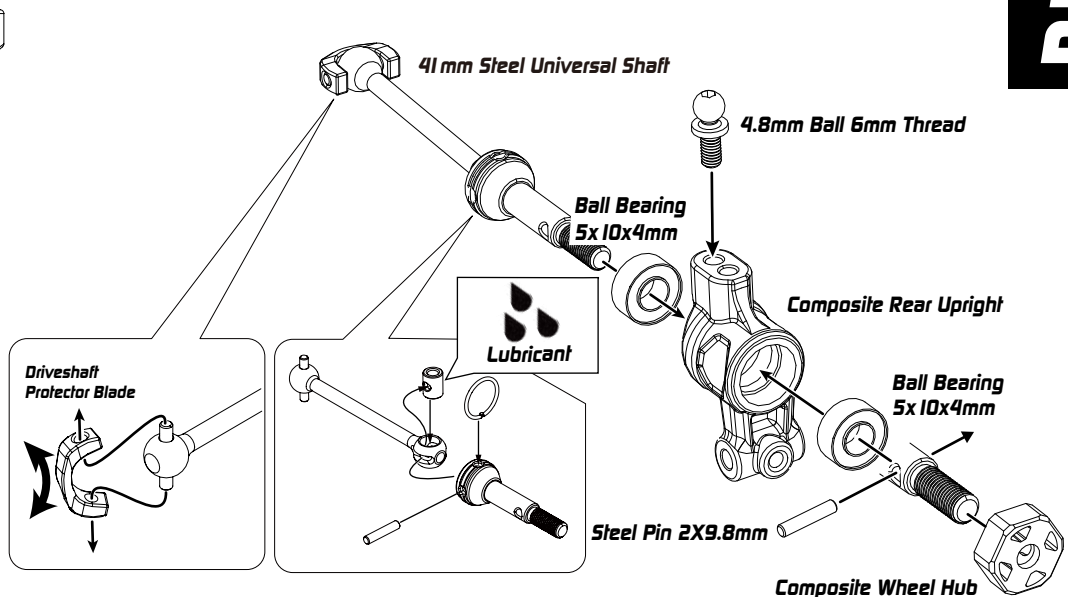


Composite Rear Upright V2
XP-10689
Optional XP-10822



XP-10894
41 mm Steel Universal Shaft 2pcs For AT15
Optional: XP-10899

2x

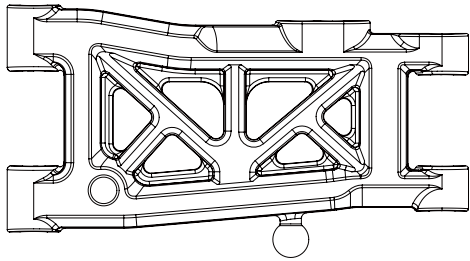


14. Rear Arm & Rear Upright

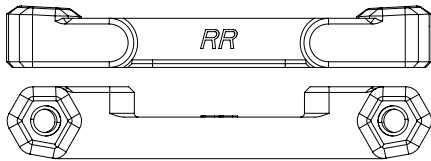
ARROW AT 15



Bag L / Bearing Bag / HW Bag



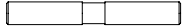
Strong Front And Rear Composite Suspension Arms
XP-10922 Optional: XP-10923



Composite Suspension Mount - RR
XP-10260 Optional: XP-10124 + XP-10127



3x46.5mm Suspension Pivotal Pin
XP-10874



3.0mm Outer Suspension pin w/ Groove
XP-10602



Set Screw M3 x 3mm
XP-40052



Set Screw M3 x 8mm
XP-40054



Set Screw M4x10mm
XP-40056



Flat Head Hex Screw M3x8mm
XP-40048



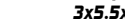
Composite Shim 3x5.5x2.5mm
XP-10848 (Bag H)
Optional: XP-40158



Composite Shim 3x5.5x2.5mm



Composite Shim 3x5.5x2.5mm



Composite Shim 3x5.5x2.5mm



Composite Shim 3x5.5x2.5mm



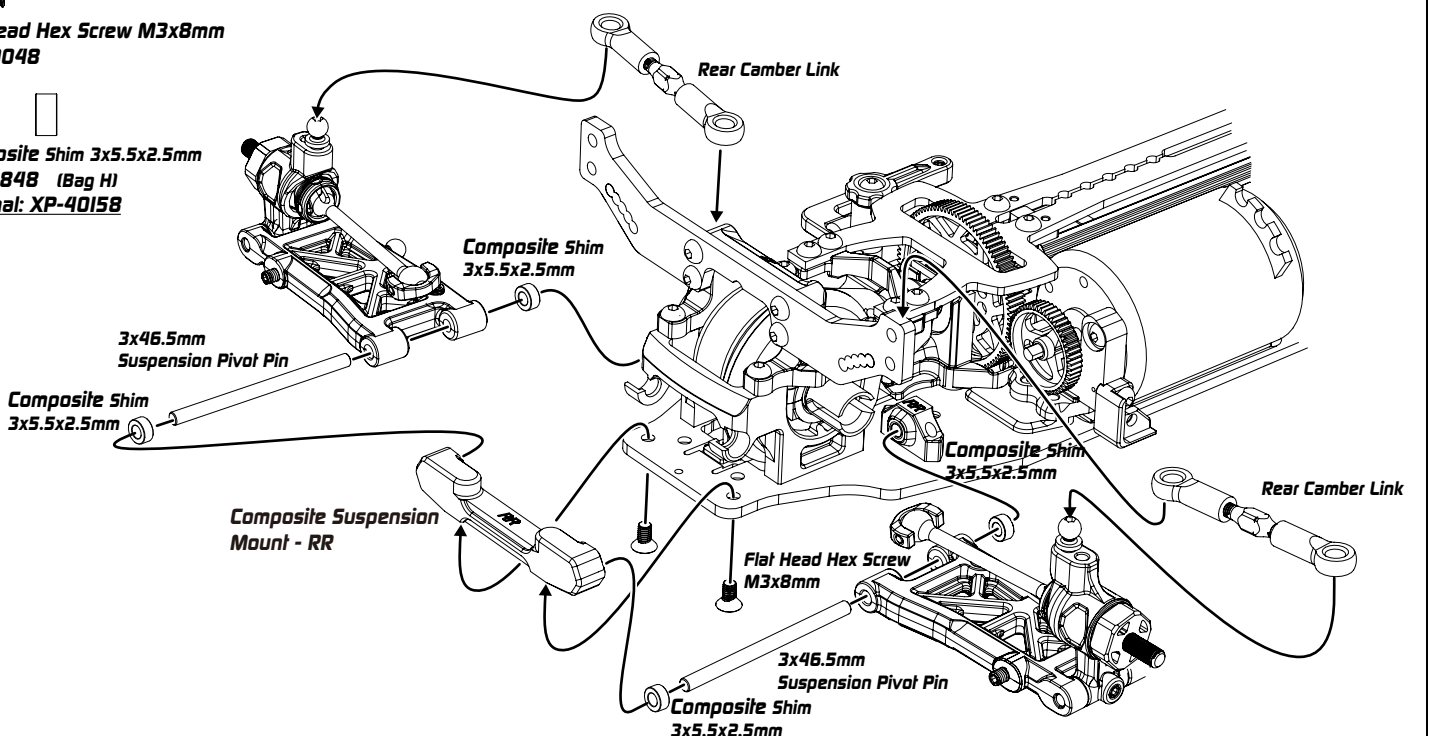
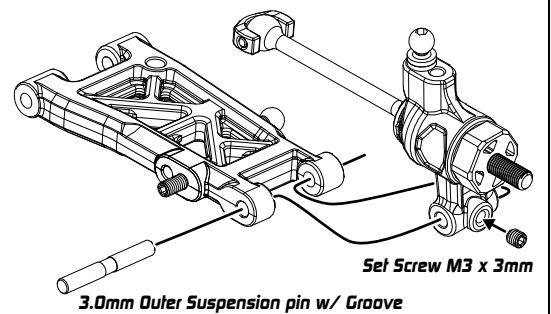
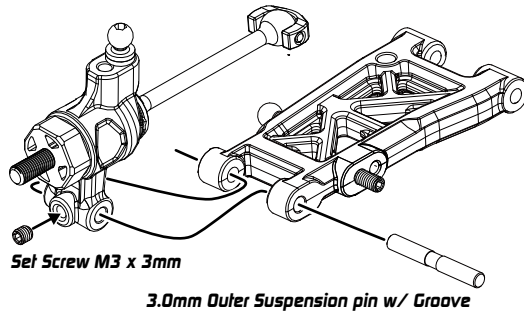
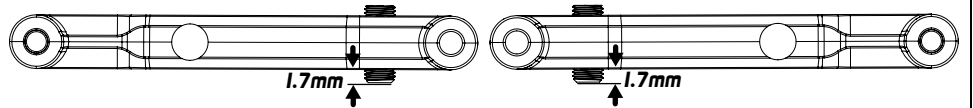
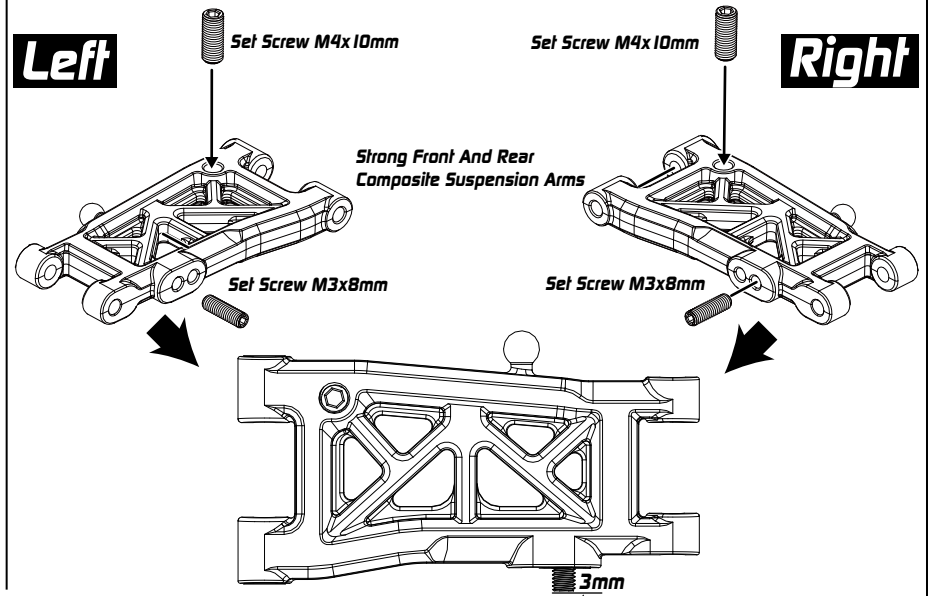
Composite Shim 3x5.5x2.5mm



Composite Shim 3x5.5x2.5mm

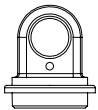


Composite Shim 3x5.5x2.5mm

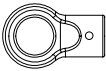




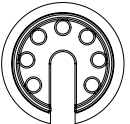
Bag P



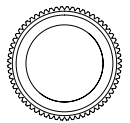
Long Travel Short Shock Black Composite Short Shock Parts
XP-10396
Optional: XP-10724



Long Travel Short Shock Black Composite Short Shock Parts
XP-10396
Optional: XP-10724



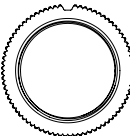
Shock Spring Retainer
XP-10396
Optional: XP-10724



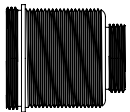
Alu Upper Short Shock Cap
XP-10397



Alu Lower Short Shock Cap
XP-10398



Alu Short Shock Adjustable Nut
XP-10399



Composite Sports Short Shock Body
XP-10596



4 Hole Piston
XP-10159



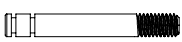
Shaft Cover
XP-10159



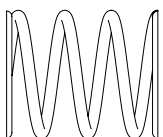
5.5mm Pivot Ball
XP-10121



E-Clip 2.5mm
XP-40057



Short Shock Shaft
XP-10582



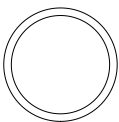
Stiff Shock Spring Pink
XP-10170



Shock Absorber Membrane
XP-10147



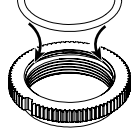
Shock O-Ring
XP-10160



O Ring For Spring Adjust Nut
XP-10607

4x

O Ring For Spring Adjust Nut



Alu Short Shock Adjustable Nut

Composite Sports Short Shock Body

450 CST



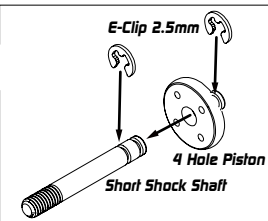
Alu Short Shock Adjustable Nut

Shock O-Ring

Shaft Cover

Alu Lower Short Shock Cap

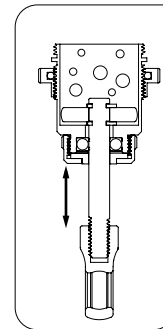
450 CST



E-Clip 2.5mm

4 Hole Piston Short Shock Shaft

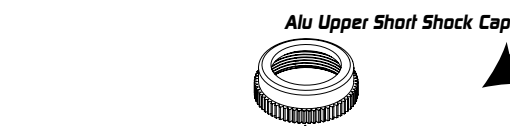
Cycle The Shock Shaft In a Upwards And Downwards Motion To Bring The Air Bubbles On top Of The Shock Piston



450Cst

Approx. Front 2.8mm Rear 2.4mm

Long Travel Short Shock Black Composite Shock Parts

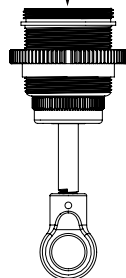


Alu Upper Short Shock Cap

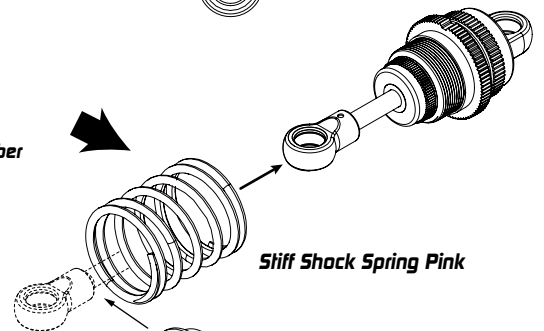
10.5mm

Long Travel Short Shock Black Composite Shock Parts

Install the shock bladder slowly on an angle as shown.



Shock Absorber Membrane



Stiff Shock Spring Pink

Shock Spring Retainer

5.5mm Pivot Ball

Direction

5.5mm Pivot Ball

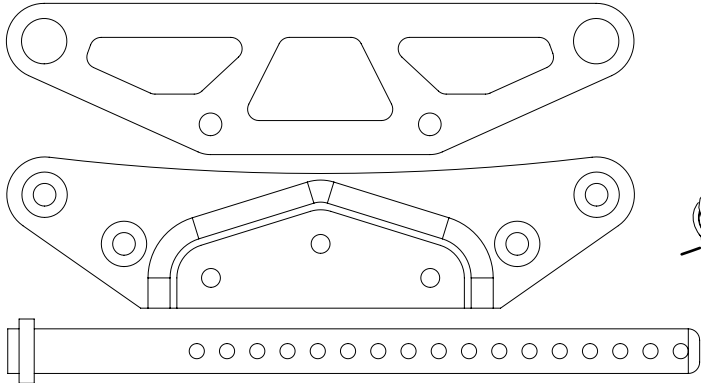
Direction

16. Shocks, Bumper & Body Post

ARROW AT 15



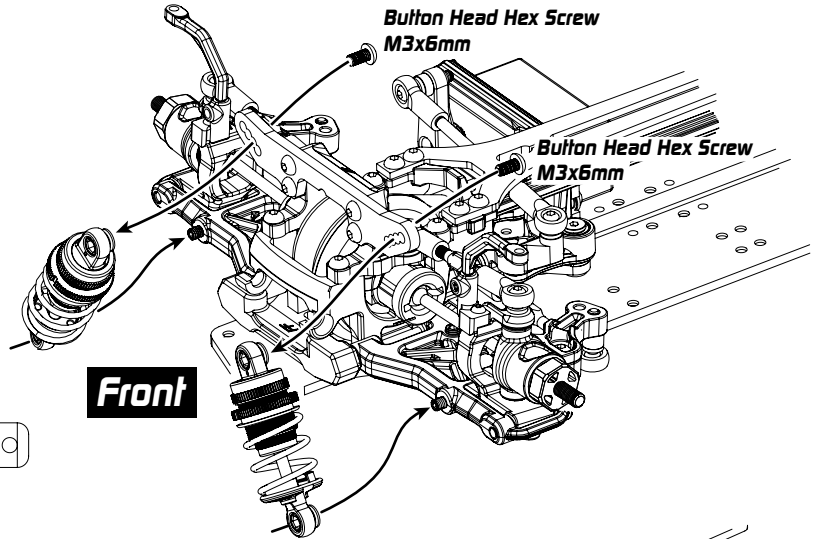
Bag Q / HW Bag



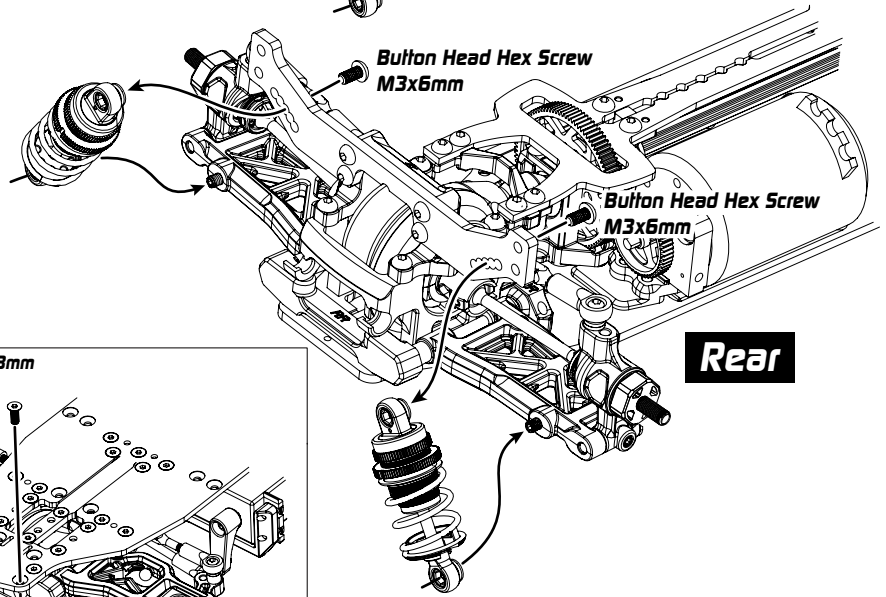
**Bumper Body Post
XP-10863**

**Button Head Hex Screw M3x6mm
XP-40037**

**Flat Head Hex Screw M3x8mm
XP-40048**

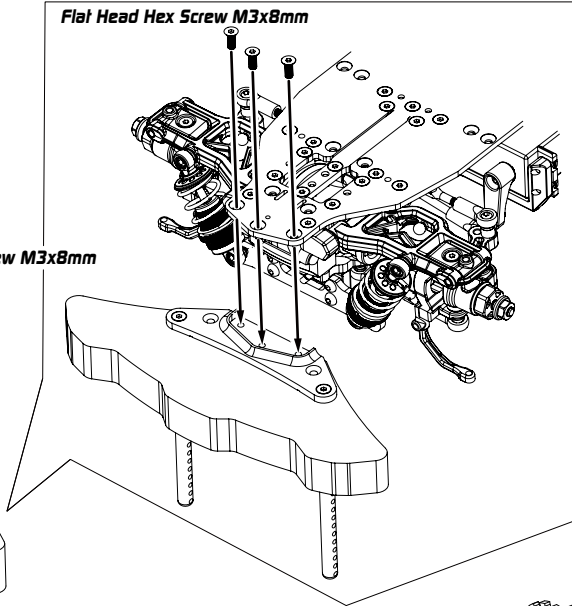


Front



Rear

Flat Head Hex Screw M3x8mm

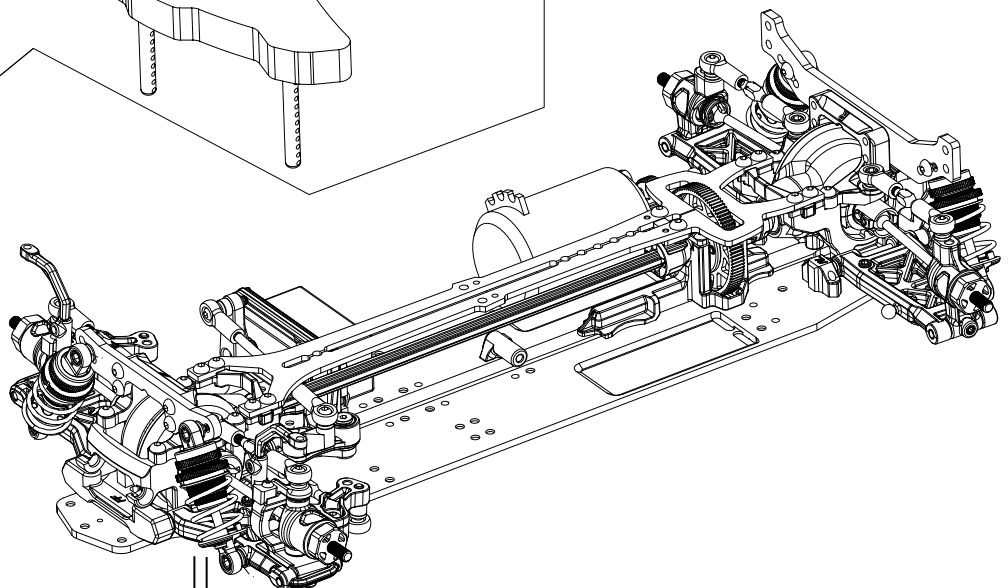


Flat Head Hex Screw M3x8mm

**Low Profile
Foam Bumper
XP-10562**

Bumper Body Post

Flat Head Hex Screw M3x8mm



17. Battery Holder & Fan Mount

ARROW AT15



Bag H, R / HW Bag



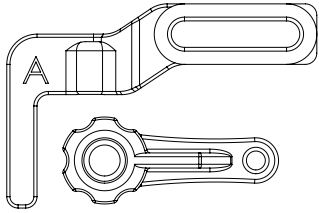
Tube



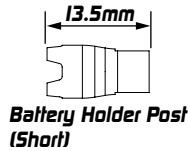
Spring



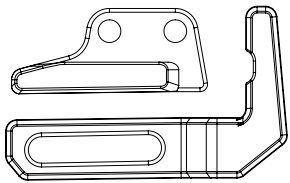
Plastic Shim
3x5.5x1 mm



Composite Anti Tweak Battery Holder
XP-10717

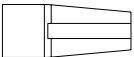


Battery Holder Post
(Short)



Plastic Battery Stopper Plate
XP-10848

Optional: XP-10877



Antenna Holder
XP-10863



Set Screw 3x4mm
XP-40053



Button Head Hex Screw M3x8mm
XP-40038



Button Head Hex Screw M3x12mm
XP-40040



Button Head Hex Screw M3x15mm (Bag R)
XP-40157



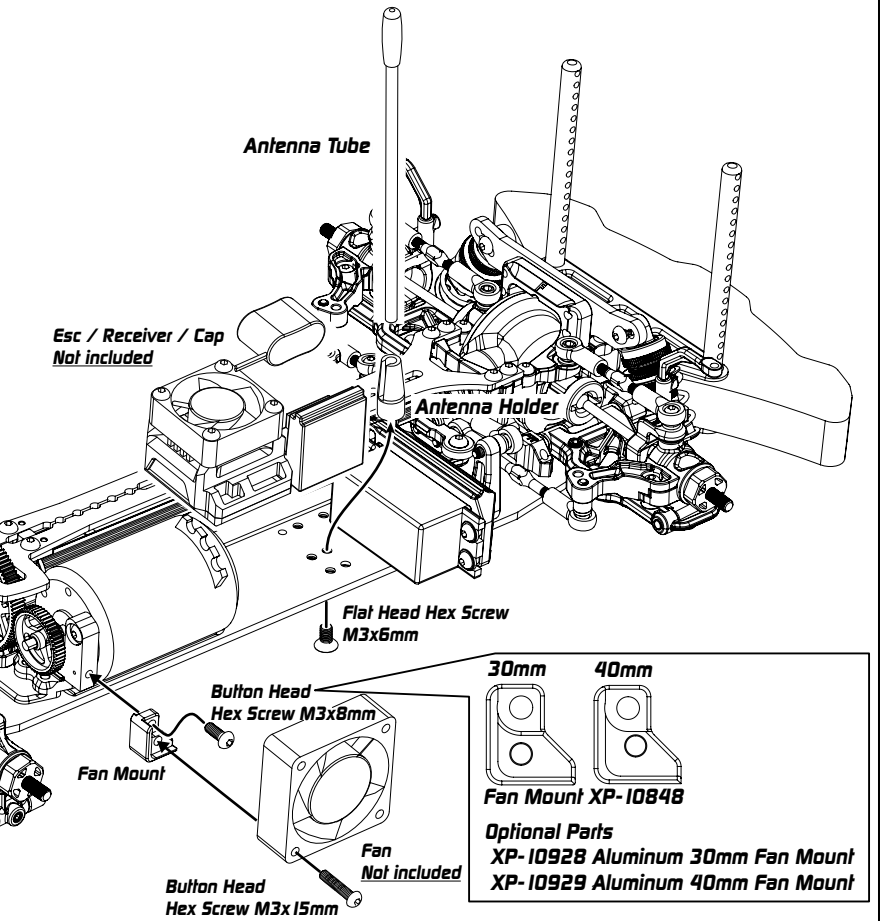
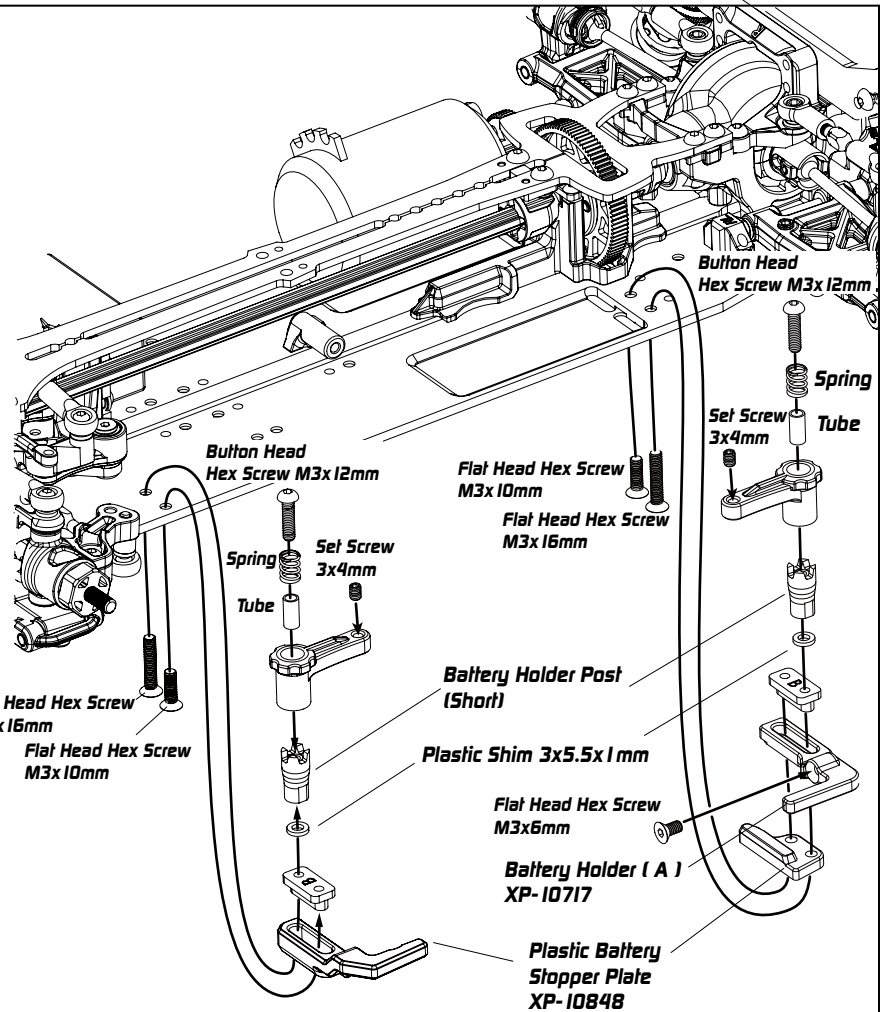
Flat Head Hex Screw 3x6mm
XP-40046



Flat Head Hex Screw M3x10mm
XP-40049



Flat Head Hex Screw M3x16mm
XP-40193





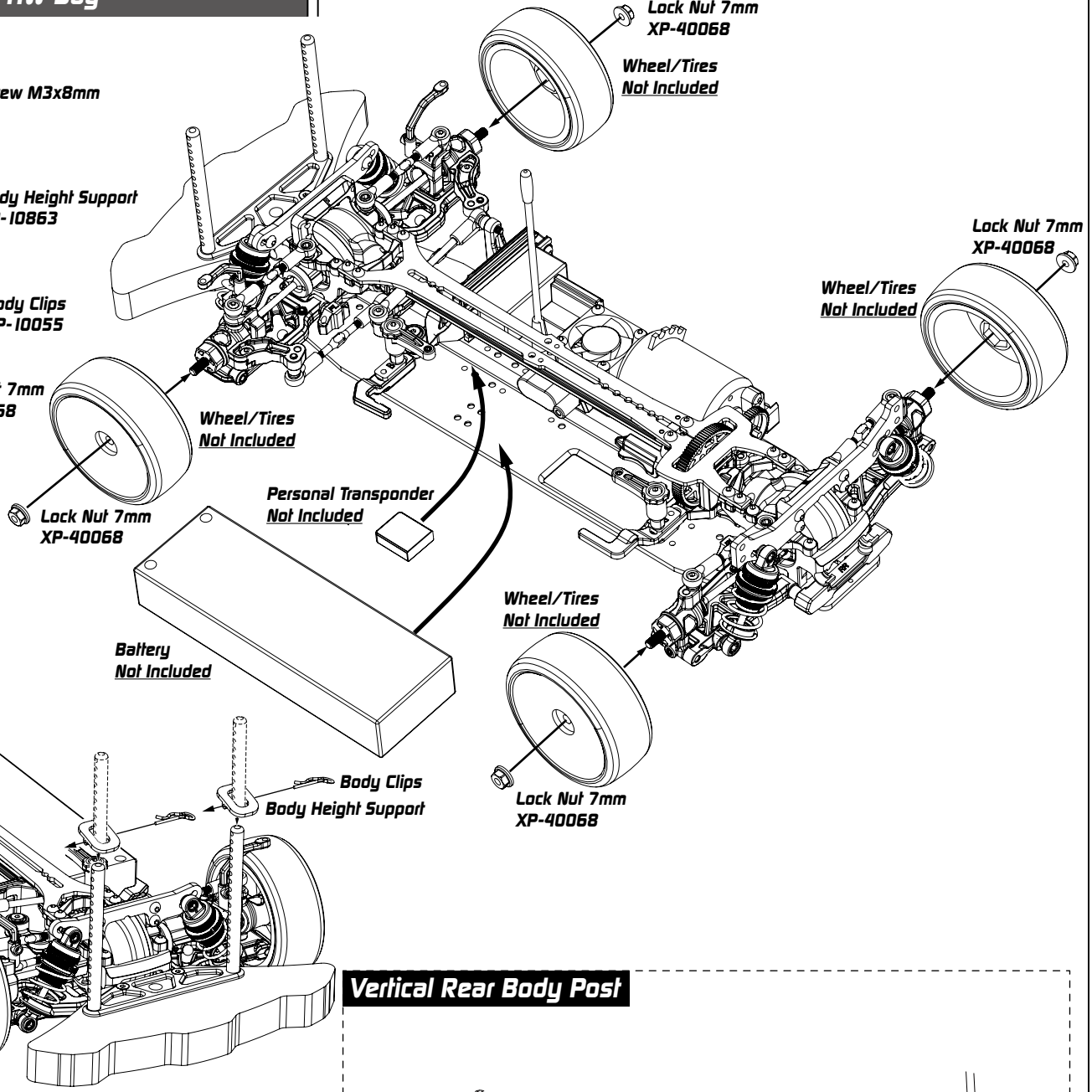
HW Bag

 **Buton Head Hex Screw M3x8mm XP-40038**

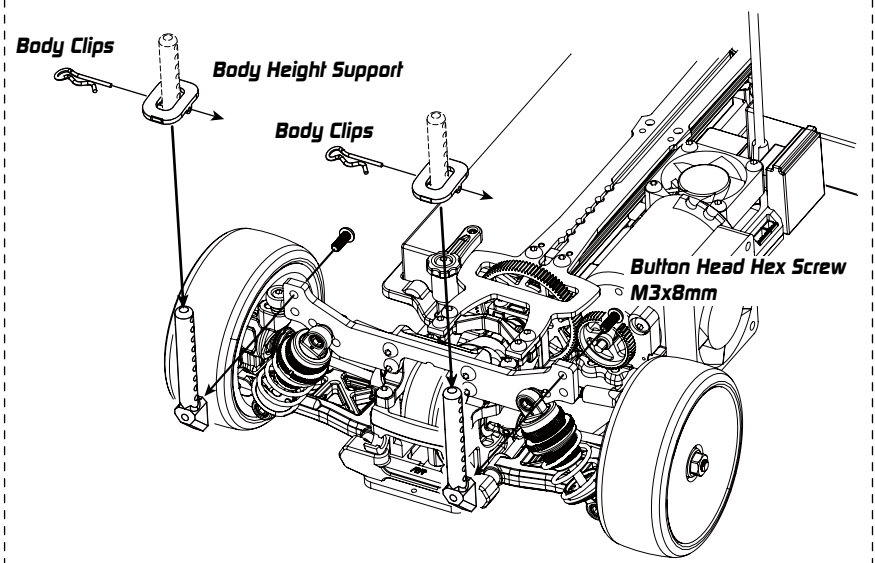
 **Body Height Support XP-10863**

 **Body Clips XP-10055**

 **Lock Nut 7mm XP-40068**



Vertical Rear Body Post





Driver _____ Track Surface _____ Track Temperature _____
 Date _____ Track Traction _____ Result _____ Air Temperature _____
 Track _____ Country _____ Best Lap _____ Humidity _____ Remark _____

Front Suspension Arm C-Hub Steering Block Steering Block N = Normal H = Hard

N H N H N H N H

Shim 0 mm Shim 0 mm Shim 0 mm Shim 0 mm

5.2 5.0 4.8 4.6 4.4 4.2 4

4 4.2 4.4 4.6 4.8 5.0 5

Camber Link (Optional)

Item No: _____ XP: _____

Shim mm

6 mm DownStop 5 mm

1 mm Camber 2 mm

5 mm Ride Height 5.5 mm

5 mm Hex Offset 5 mm

7 mm Sway Bar 7 mm

38 mm Camber Link Distance 42 mm

Item No: _____ XP: _____

Shim mm

Optional On-Power Control System

Shim mm Shim mm

Shim mm

Shim mm

Hex Offset _____ mm

Camber _____ mm

Ride Height _____ mm

DownStop _____ mm

Sway Bar _____ mm

Steering Block M H

Suspension Arm M H

Steering (Optional)

Front Toe Out 1° Front Tire Additive Area

Lower Arm Shim 0 mm

Wheelbase Shim FF 0 mm FR 0 mm

Bump Steering Shim 4 mm

Shim mm

Inserts mm

Shim 1 mm

Rear Toe In 3° Rear Tire Additive Area

Lower Arm Shim 0 mm

Wheelbase Shim RF 2.5 mm RR 2.5 mm

Standard Battery Short Battery (Forward Position) Short Battery (Backward Position)

Suspension Mount Setup (Optional)

FF FR RF RR

1 Aluminium Spilt 1 Aluminium Spilt

0.5 Brass Solid 0.5 Brass Solid

Mount Spacer _____ mm Mount Spacer _____ mm Mount Spacer _____ mm Mount Spacer _____ mm

Flex Control

Upper Deck Thick 2 mm

FRP Chassis Graphite Chassis Aluminum Chassis

Upper Deck Stiffener (Plastic) Upper Deck Stiffener (Aluminum)

Damper Setup

Foam Insert Hole In Cap

Front Rear

XP-10170(Pink) Spring XP-10170(Pink)

450cst Oil 450cst

50% Rebound 50%

4 Piston 4

10.5mm Length 10.5mm

Transmission Setup

Front Spool _____ Rear Gear Diff. _____

Diff. 9 Oil 5000cst / 1.1 g

Bevel Gear _____

Spur 64 P / 94 T Pinon P / T

Final Drive Ratio _____ : 1

Formula

Final Drive Ratio = (Spur Pinon x Internal Ratio) / 2.353 : 1

Others

Servo _____ Tires _____

Esc _____

Motor _____

Additive _____

Body _____

Rear Wing _____

Remark

Default Set-up



Driver _____ Track Surface _____ Track Temperature _____
 Date _____ Track Traction _____ Result _____ Air Temperature _____
 Track _____ Country _____ Best Lap _____ Humidity _____ Remark _____

Front **Suspension Arm** **C-Hub** **Steering Block** **Steering Block** **Rear**
 N = Normal N H N H N H N H
 H = Hard

Shim mm Shim mm Shim mm Shim mm Shim mm Shim mm

5.2 5.0 4.8 4.6 4.4 4.2 4

4 4.2 4.4 4.6 4.8 5.0 5

Camber Link (Optional) mm DownStop mm

Item No: _____ Camber _____
 XP: _____ mm Ride Height mm
 mm Hex Offset mm
 mm Sway Bar mm
 mm Camber Link mm
 mm Distance mm

Shim mm Shim mm

Optional On-Power Control System

Shim mm Shim mm Shim mm Shim mm

Hex Offset _____ mm
 Camber _____ mm
 Ride Height _____ mm
 DownStop _____ mm
 Sway Bar _____ mm

Steering Block M H
 Suspension Arm M H

Steering (Optional)

Front Toe Out _____ Rear Toe In _____

Front Tire Additive Area _____ Rear Tire Additive Area _____

Lower Arm Shim mm Bump Steering Shim mm

Shim mm Inserts mm Shim mm Lower Arm Shim mm

Wheelbase Shim FF mm FR mm

Wheelbase Shim RF mm RR mm

Standard Battery
 Short Battery (Forward Position)
 Short Battery (Backward Position)

Suspension Mount Setup (Optional)

FF **FR** **RF** **RR**

1 Aluminium 0.5 Brass

1 Aluminium Spilt 0.5 Brass Solid

1 Aluminium Spilt 0.5 Brass Solid

1 Aluminium 0.5 Brass

Mount Spacer mm Mount Spacer mm Mount Spacer mm Mount Spacer mm

Flex Control

Upper Deck Thick _____ mm

FRP Chassis Graphite Chassis Aluminum Chassis

Upper Deck Stiffener (Plastic) Upper Deck Stiffener (Aluminum)

Damper Setup

Foam Insert Hole In Cap

Front _____ Rear _____

Spring _____
 Oil _____
 Rebound _____
 Piston _____
 Length _____

Transmission Setup

Front _____ Rear _____

Diff. _____ / 9 Oil _____ / 9

Bevel Gear _____
 Spur P/ T Pinon P/ T

Final Drive Ratio _____ : 1

Formula
 Final Drive Ratio = $\left(\frac{\text{Spur Pinon}}{\text{Internal Ratio}} \times 2.353 \right) : 1$

Others

Servo _____ Tires _____
 Esc _____
 Motor _____
 Additive _____
 Body _____
 Rear Wing _____

Remark

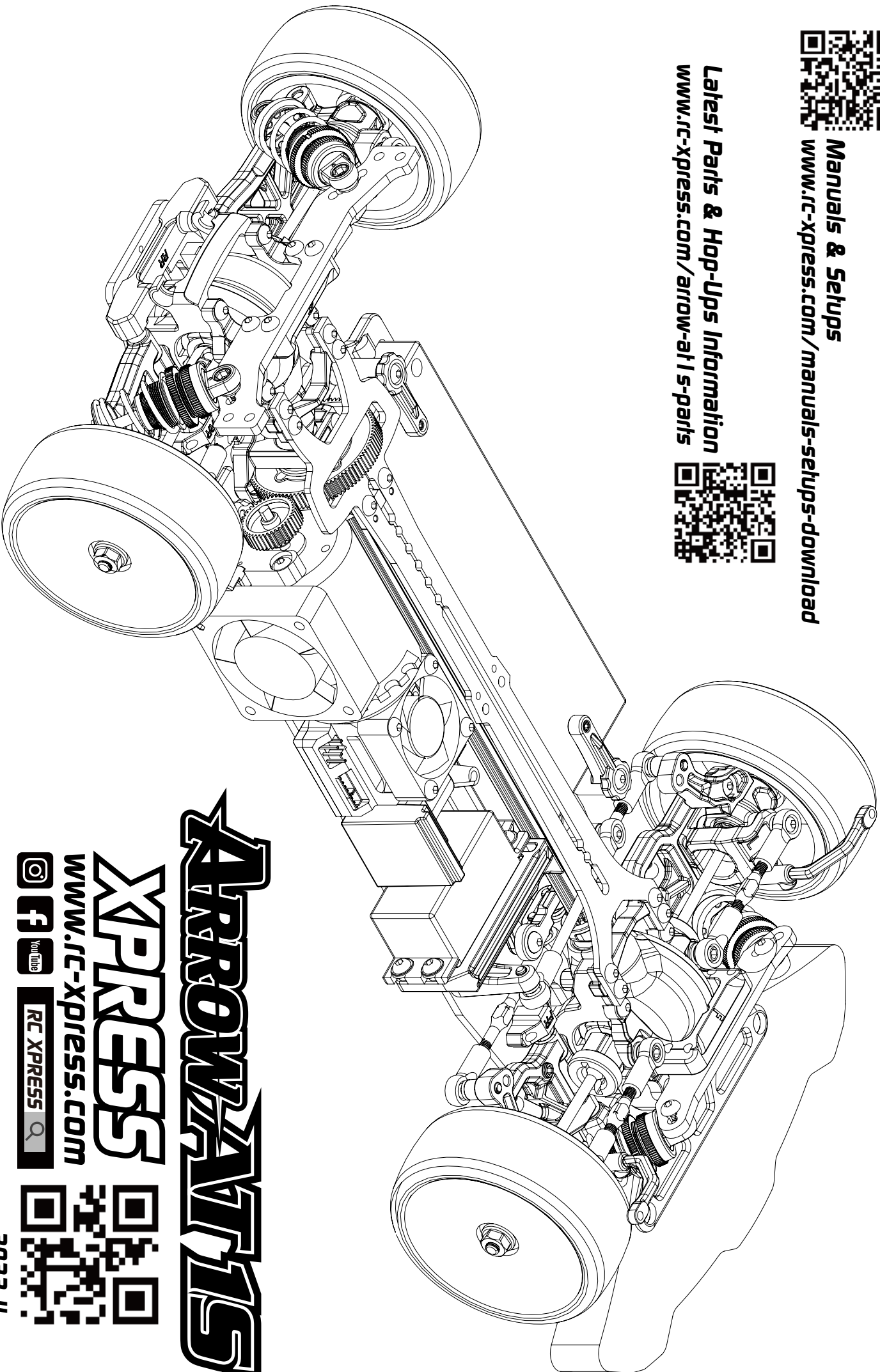


A large, empty rectangular box with a thin black border, intended for handwritten notes or additional information.



Manuals & Setups
www.rc-xpress.com/manuals-setups-download

Latest Parts & Hop-Ups Information
www.rc-xpress.com/arrow-ai1s-parts



ARROW PARTS

XPRESS

www.rc-xpress.com



RC XPRESS



2022.11