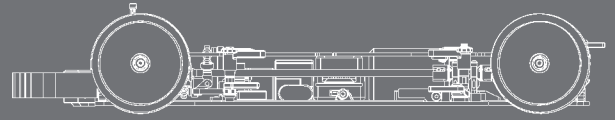


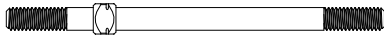
XPRESS
www.rc-xpress.com

ARROW

INSTRUCTION MANUAL



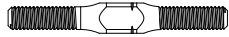
Bag A



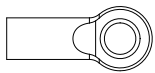
Steel Turnbuckle M3x50mm
XP-10924



Steel Turnbuckle M3x39mm
XP-10157



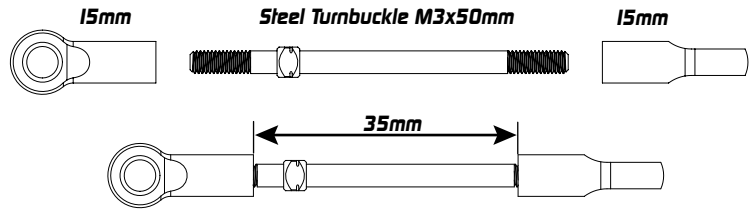
Steel Turnbuckle M3x29mm
XP-10156



4.8mm Flat Type Ball End 15mm
XP-10636

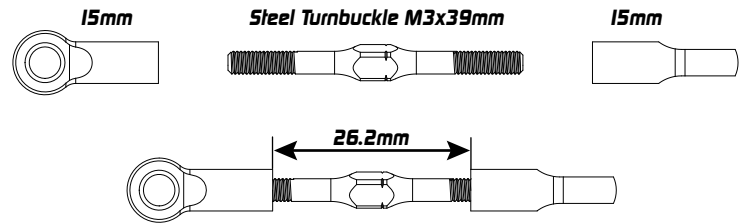
For Servo

1x



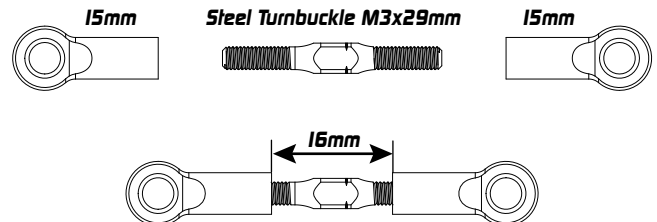
For Steering

2x



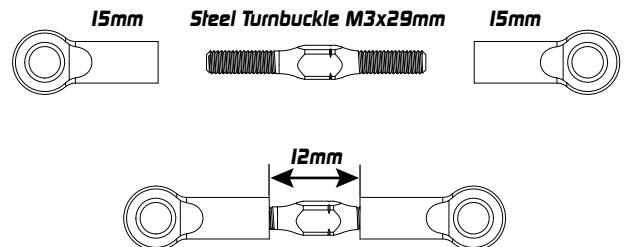
For Front Camber Link

2x

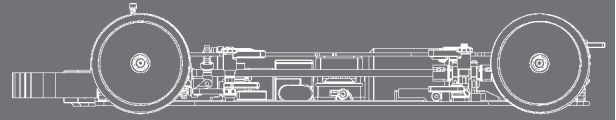


For Rear Camber Link

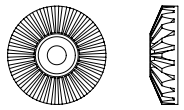
2x



ARROW AT1 2. Gear Diff Assembly



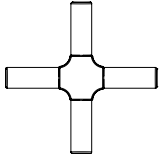
Bag B / HW / Bearing Bag



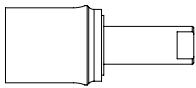
Bevel Gears (Big)
XP-10836 / XP-10884



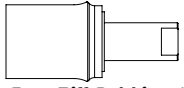
Bevel Gears (Small)
XP-10836 / XP-10884



Gear Diff Cross Pin
XP-10836 / XP-10884



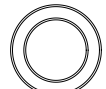
Gear Diff Outdrive Adapter (Long)
XP-10836 / XP-10887
Optional : XP-10941



Gear Diff Outdrive Adapter (Short)
XP-10836 / XP-10887
Optional : XP-10941



Bevel Gear Alloy Adaptor
XP-10882



Bearing 8 x 12 x 3.5mm
XP-40196



Steel Shim 5 x 13 x 0.2mm
XP-10836 / XP-10886



Steel Shim 8x10x0.2mm
XP-40198



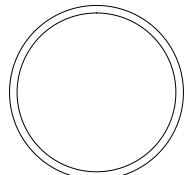
Steel Shim 3x5.0x0.1mm
XP-10836 / XP-10886



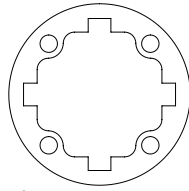
O-ring 5 x 2mm
XP-10836 / XP-10930



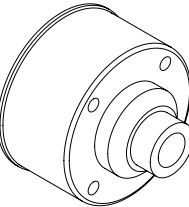
Flat Head Screw M2.5 x 8mm
XP-10836 / XP-10886 / XP-40044



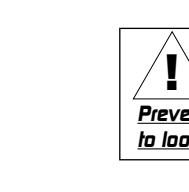
O-ring 21 x 1mm
XP-10836 / XP-10888



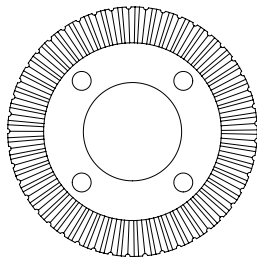
Diff Gasket
XP-10836 / XP-10860



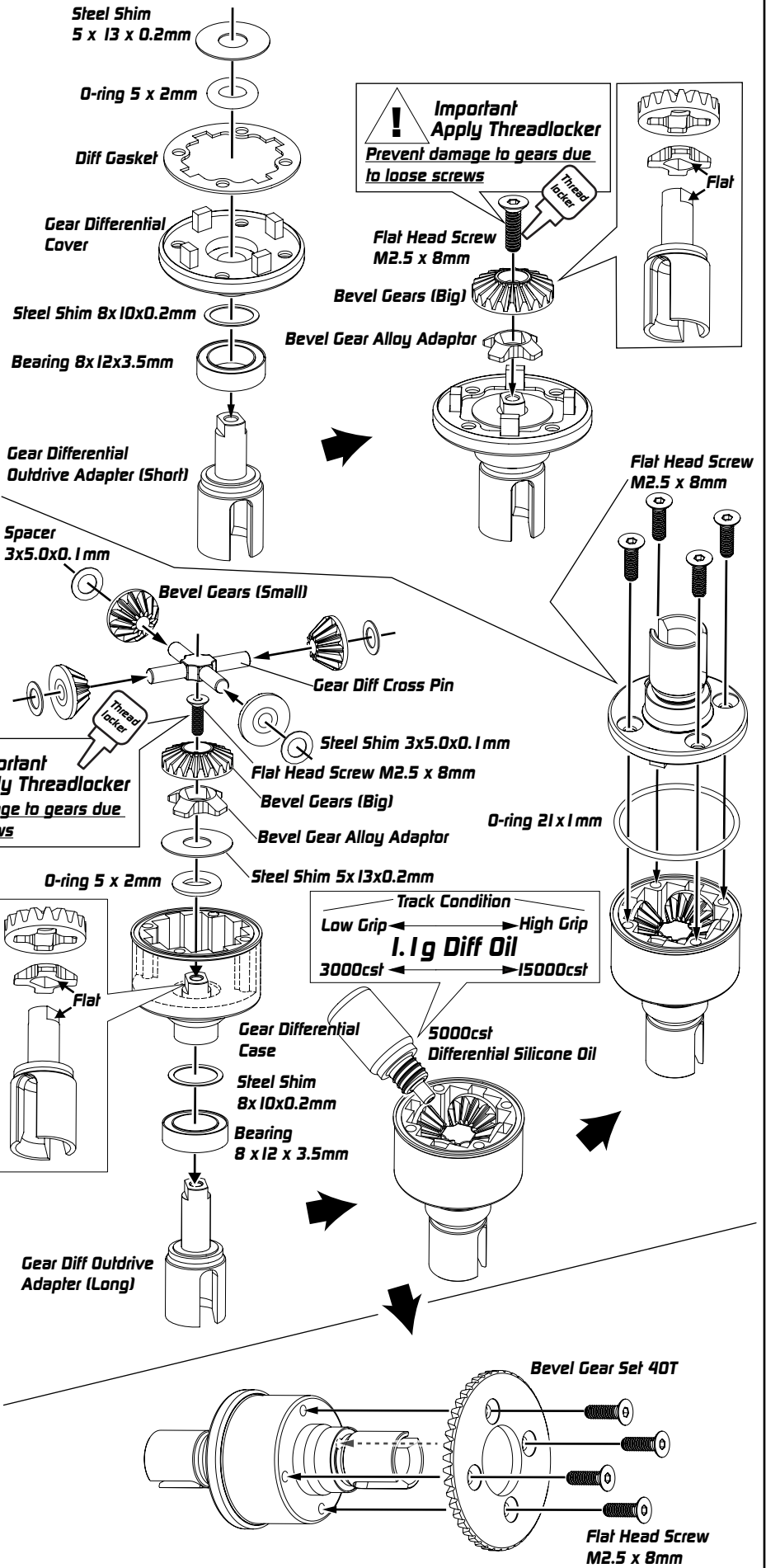
Gear Differential Case
XP-10836 / XP-10885

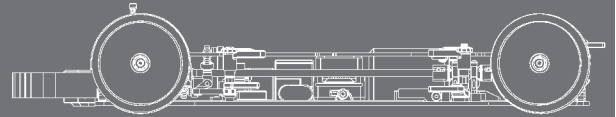


Gear Differential Cover
XP-10836 / XP-10885

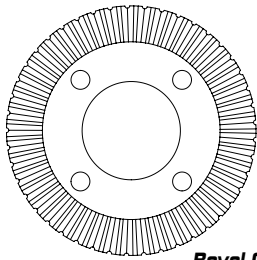


Bevel Gear Set 40T
XP-10836 / XP-10939

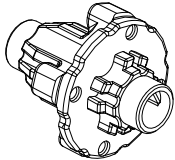
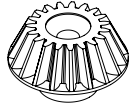




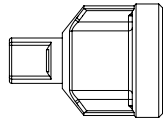
Bag C, D / HW Bag



Bevel Gear Set 40T/17T
XP-10939



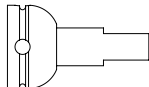
Shaft Driven Spool Set
XP-10847



Shaft Driven Spool Set
XP-10847 / XP-10871
Optional : XP-10962



Ball Bearing 5x12x4.0mm
XP-40195



Propeller Shaft Axle
XP-10703
Optional : XP-10942



Ball Bearing 8x12x3.5mm
XP-40196



Couplers
XP-10703 / XP-40202



Steel Shim 8x10x0.2mm
XP-40198



Flat Head Hex Screw 2.5x8mm
XP-40044



Flat Head Hex Screw 3x8mm
XP-40048



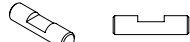
Flat Head Hex Screw M2.5x15mm
XP-40200



Hex Set Screw M3x2mm
XP-40051



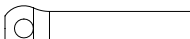
Universal Shaft Ring 11.8x0.8mm
XP-40201



Steel Pin 2.5x10mm(Flat)
XP-40172

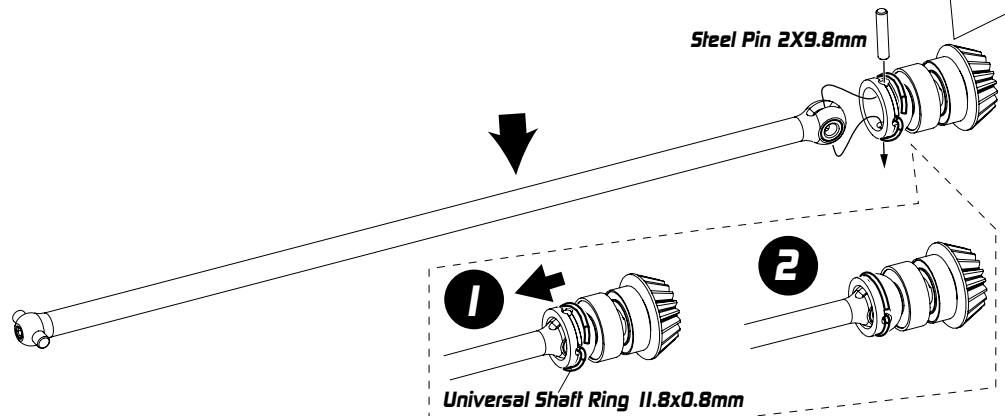
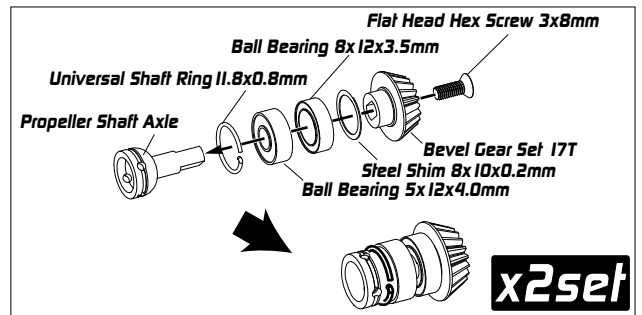
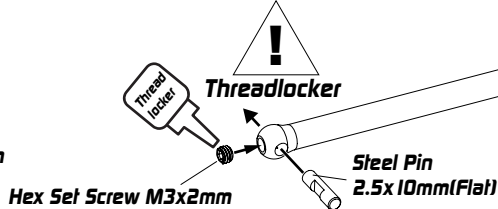
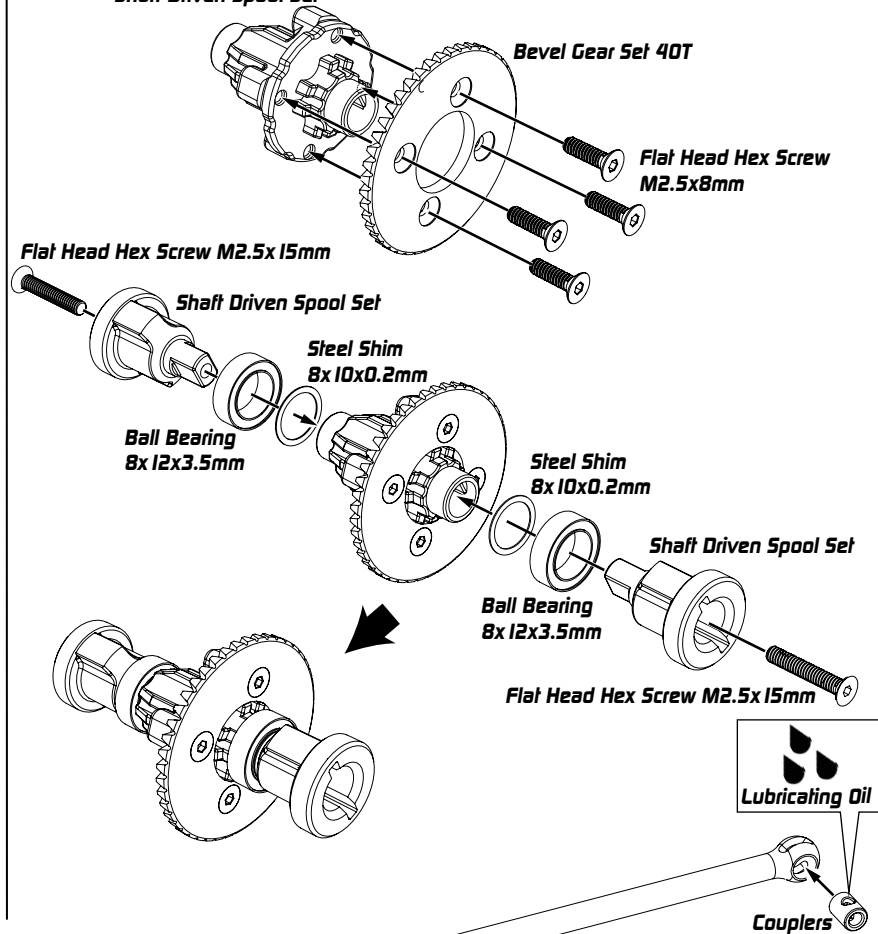


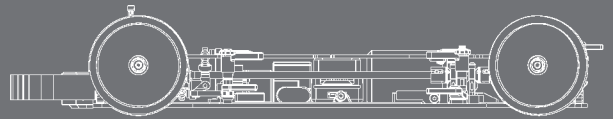
Steel Pin 2X9.8mm
XP-40069



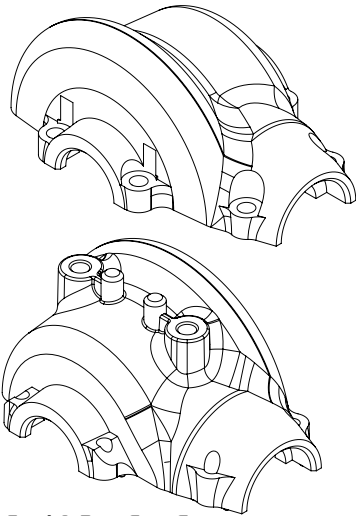
Front Propeller Shaft
XP-10703 Optional : XP-10938

Shaft Driven Spool Set





Bag D , E / HW Bag



Front & Rear Gear Case
XP-10701

Button Head Hex Screw 2.5x7mm
XP-40115

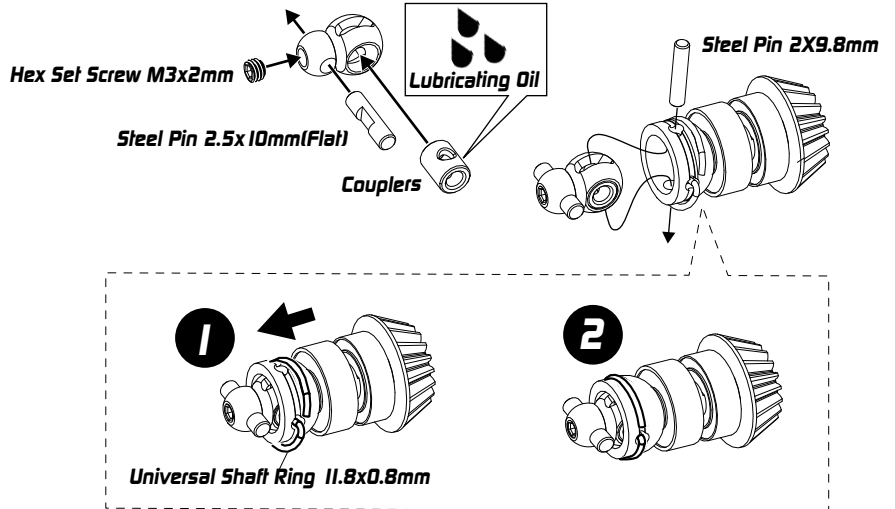
Hex Set Screw M3x2mm
XP-40051

Steel Pin 2X9.8mm
XP-40069

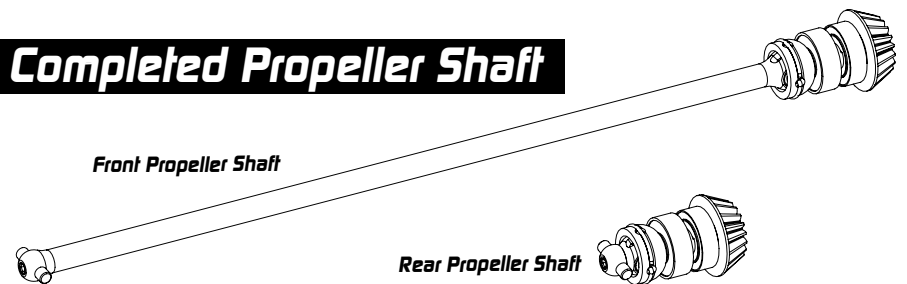
Steel Pin 2.5x10mm(Flat)
XP-40172

Couplers
XP-10703 / XP-40202

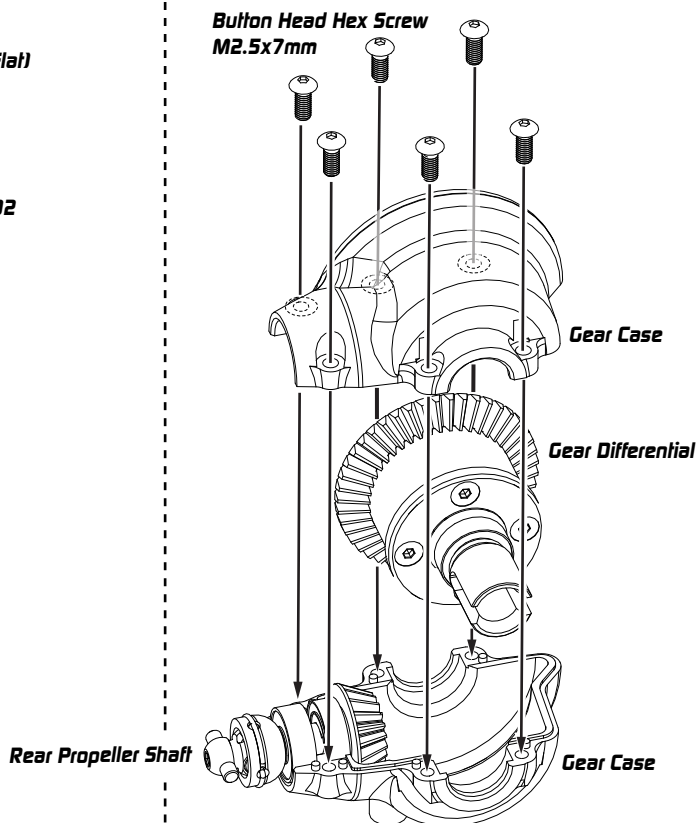
Rear Propeller Shaft
XP-10993



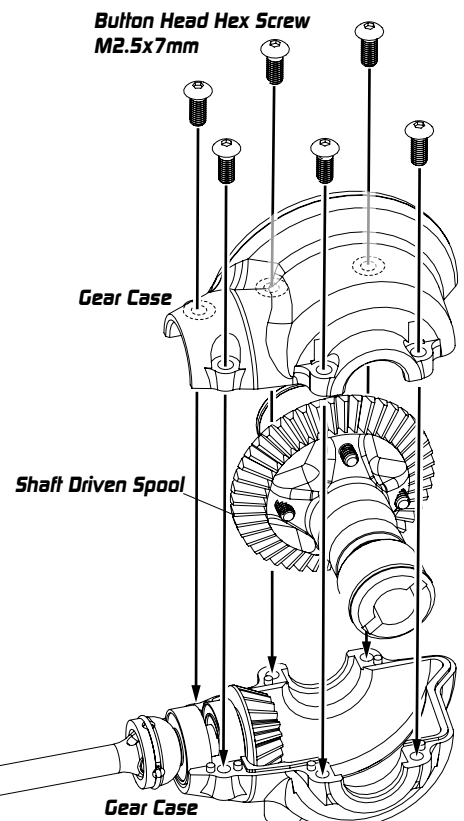
Completed Propeller Shaft



Rear Gear Box Unit

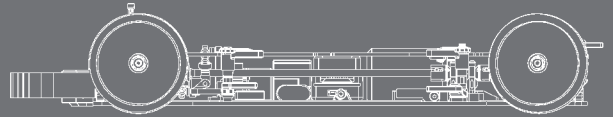


Front Gear Box Unit

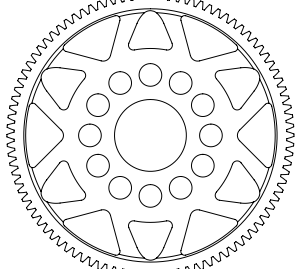


Front Propeller Shaft

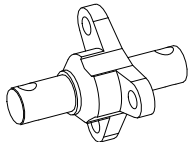




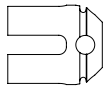
Bag F, G / HW Bag



Composite Spur Gear 64P 94T
XP-40122



Aluminum Spur Gear Mount
XP-10854



Propeller Shaft Joint Cup (Long) XP-10704



Propeller Shaft Joint Cup (Short) XP-10872



Steel Shim 5x7.0x0.2mm
XP-40086



Set Screw M3x2mm
XP-40051



Ball Bearing 5x9x3mm
XP-40062



Spur Gear Mount Plate
XP-10848



Steel Pin 2.5x9mm
XP-40171



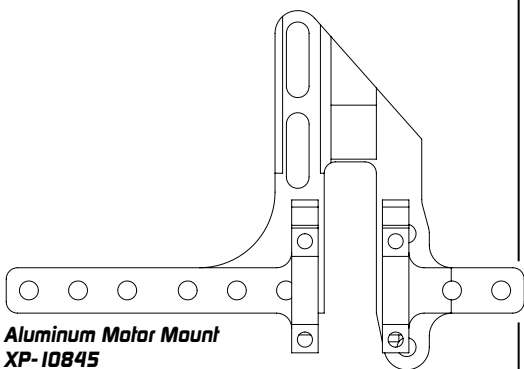
Universal Shaft Ring 10.6x0.8mm
XP-40202



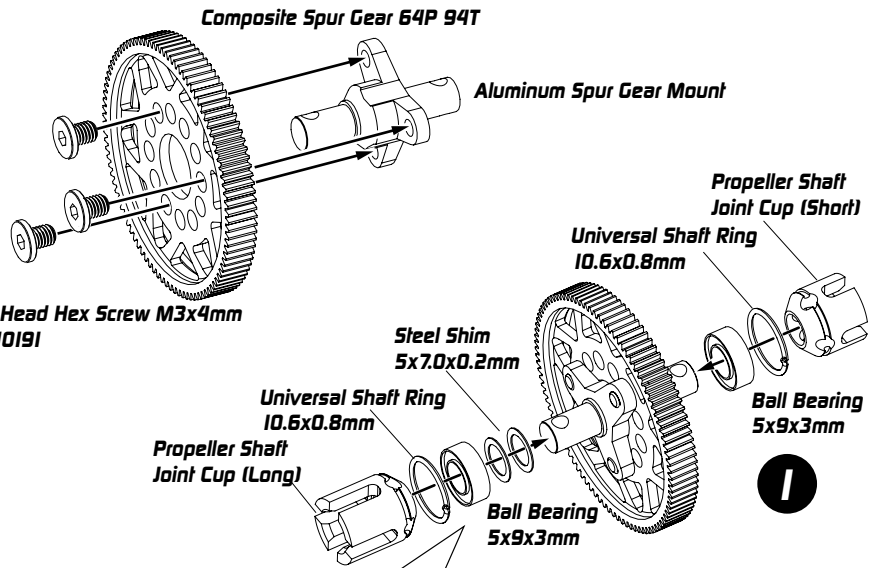
Button Head Hex Screw M2.5x7mm
XP-40115



Thin Head Hex Screw M3x4mm
XP-40191



Aluminum Motor Mount
XP-10845



Thin Head Hex Screw M3x4mm
XP-40191

Steel Shim 5x7.0x0.2mm

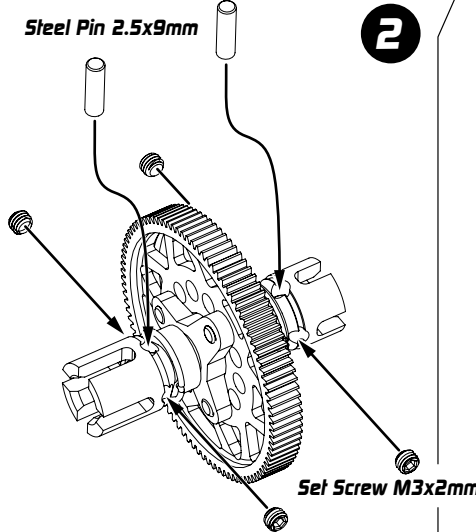
Universal Shaft Ring 10.6x0.8mm

Propeller Shaft Joint Cup (Long)

Ball Bearing 5x9x3mm

Ball Bearing 5x9x3mm

2

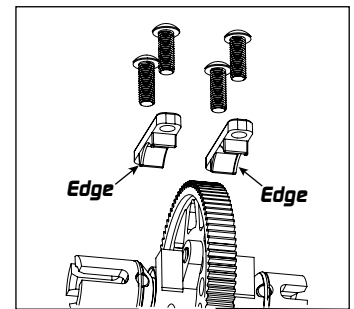


Steel Pin 2.5x9mm

Set Screw M3x2mm

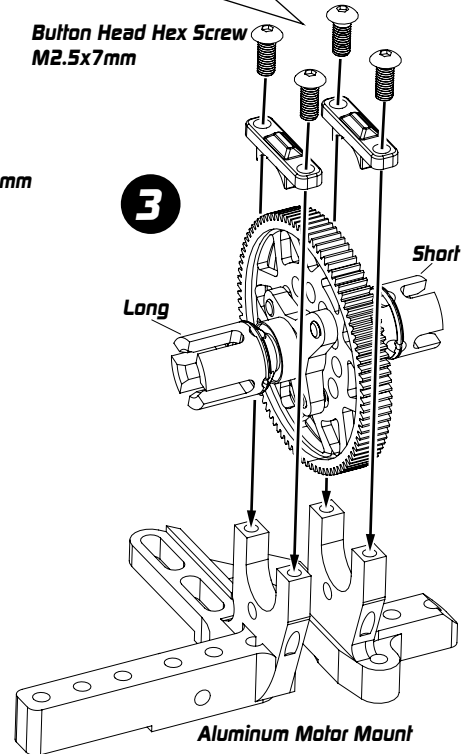
Universal Shaft Ring 10.6x0.8mm

Set Screw



Button Head Hex Screw M2.5x7mm

3



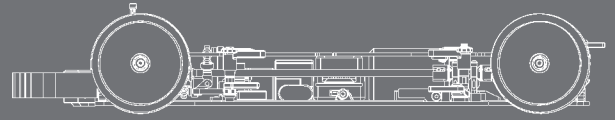
Short

Long

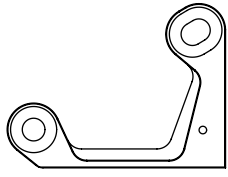
Aluminum Motor Mount

6. Shaft Driven System Assembly

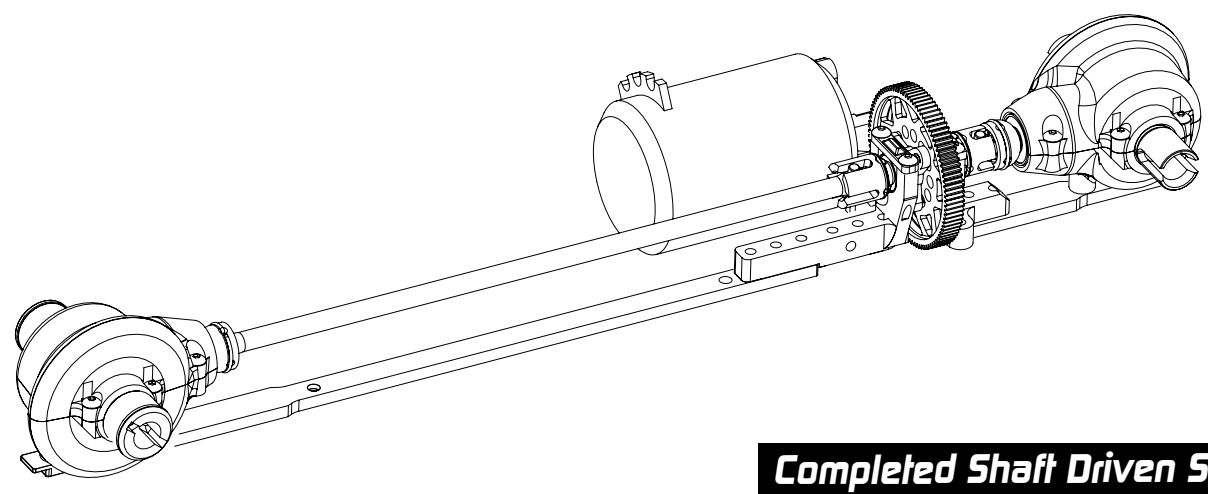
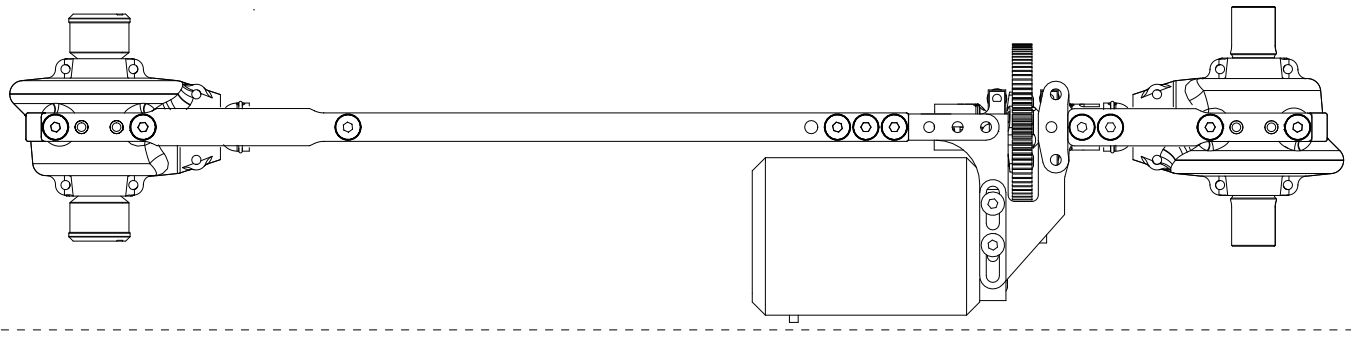
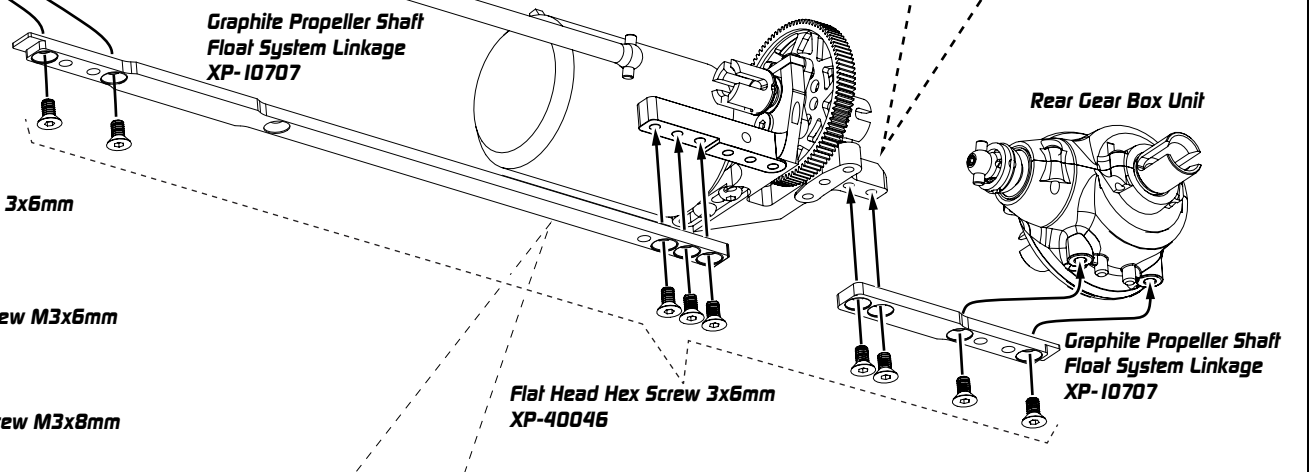
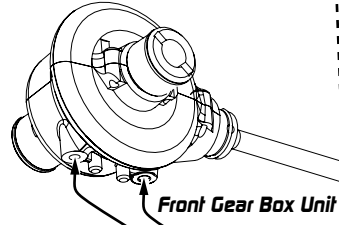
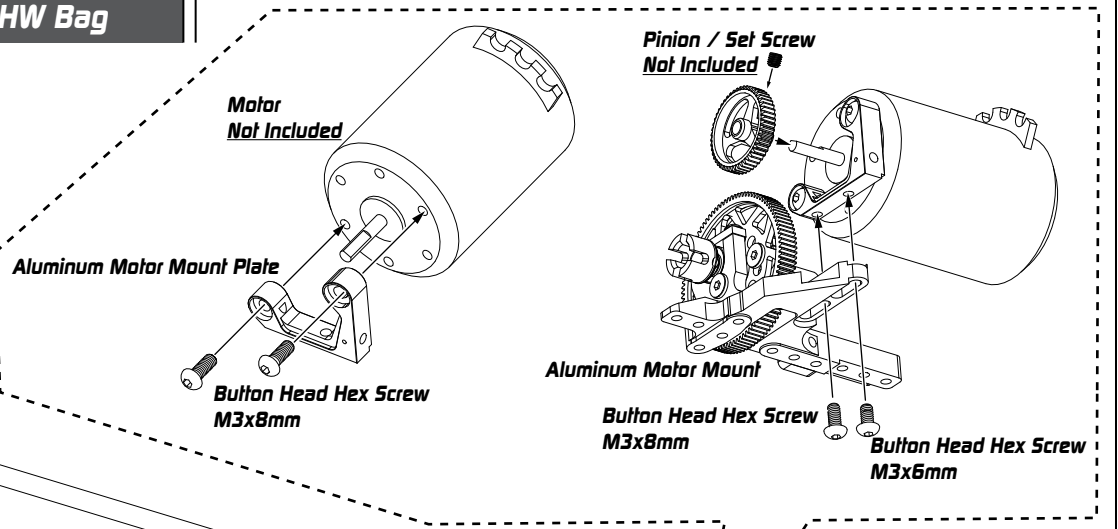
ARROW AT1



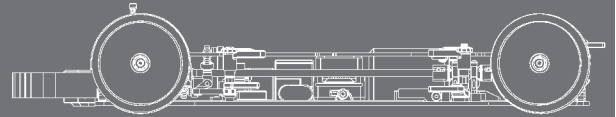
Bag F / Chassis Bag / HW Bag



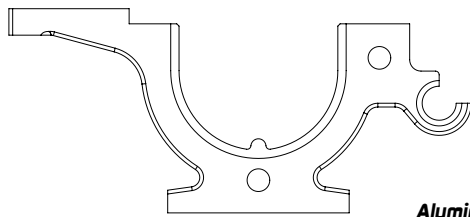
Aluminum Motor Mount Plate
XP-10702



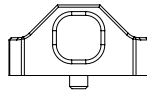
Completed Shaft Driven System



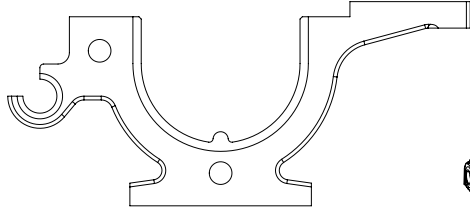
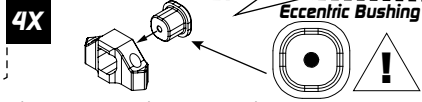
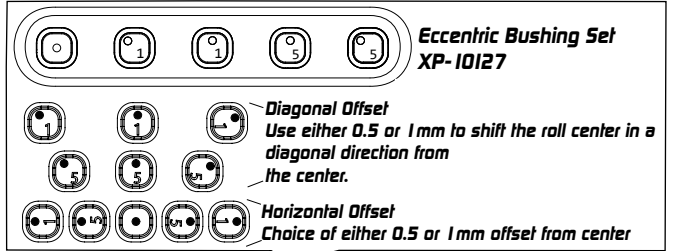
Bag G, H, I, N / Chassis Bag / HW Bag



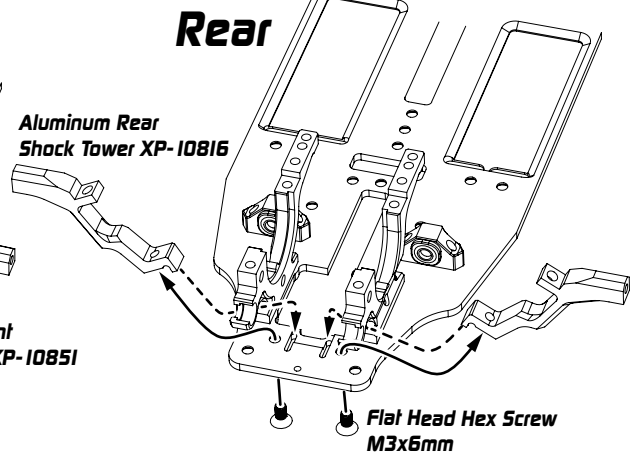
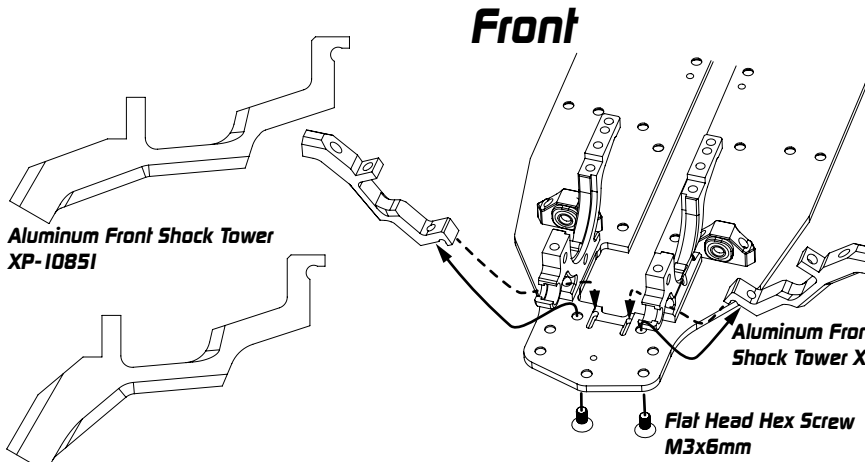
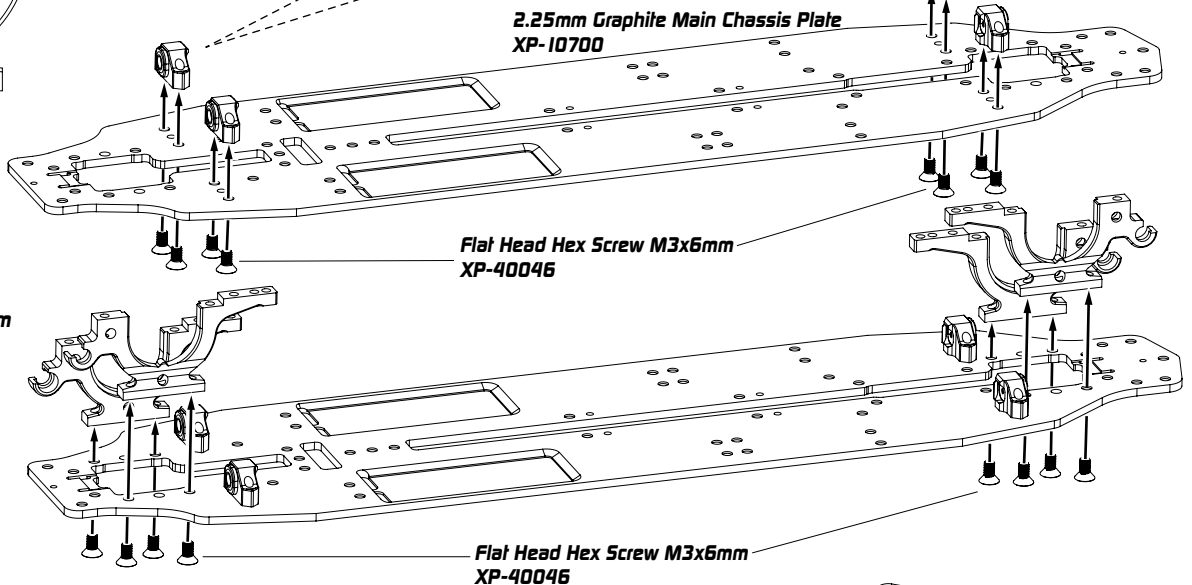
Separate Bulkhead (FL/RR)
XP-10850



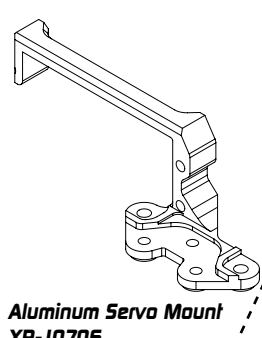
Aluminum 2 Piece Suspension Mount
XP-10123



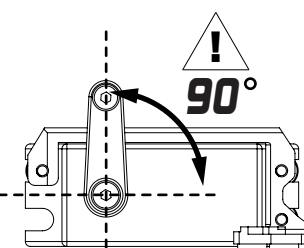
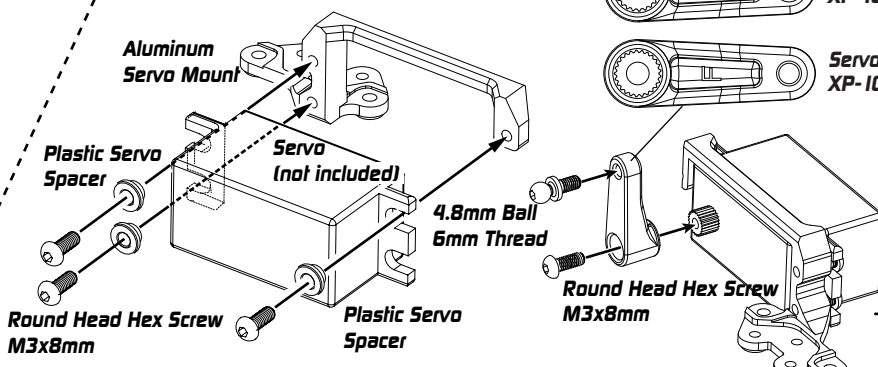
Separate Bulkhead (FR/RL)
XP-10815



Aluminum Rear Shock Tower
XP-10816

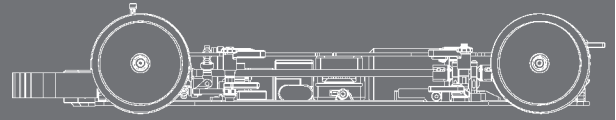


Servo unit

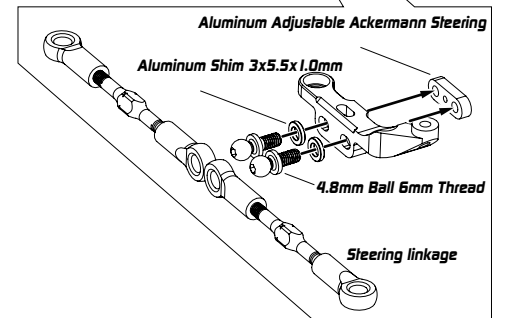
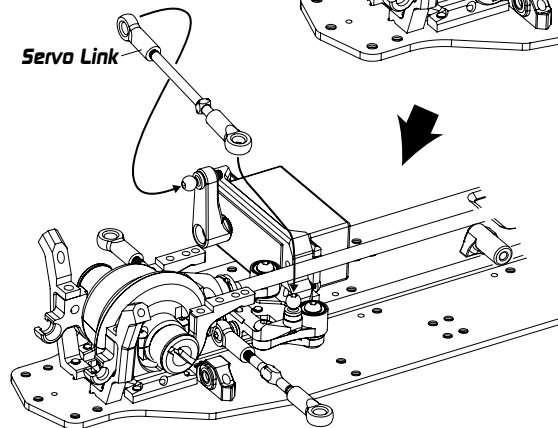
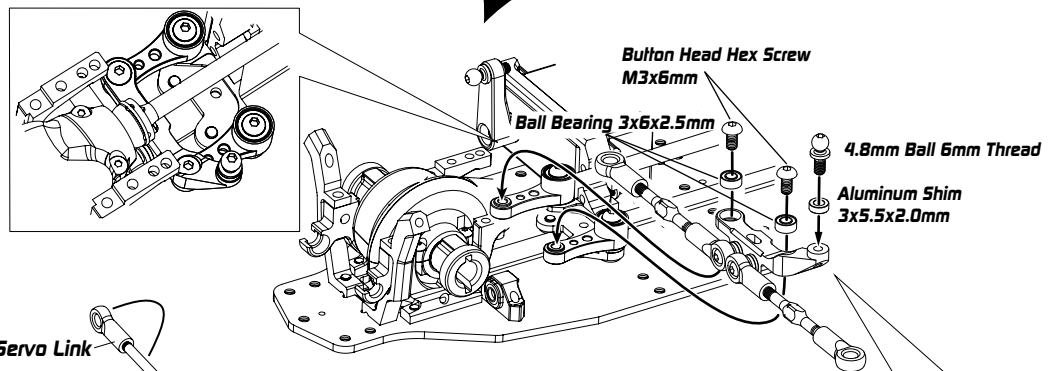
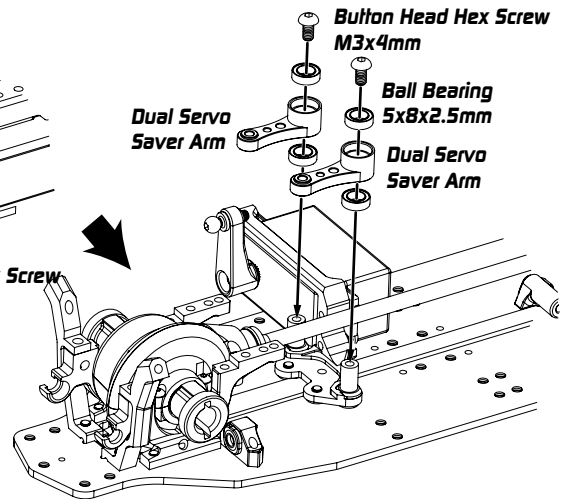
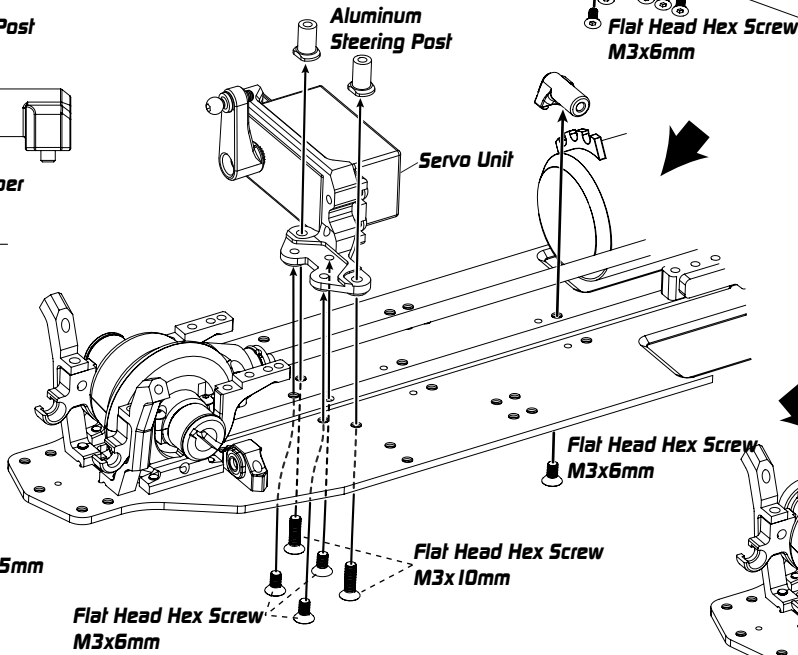
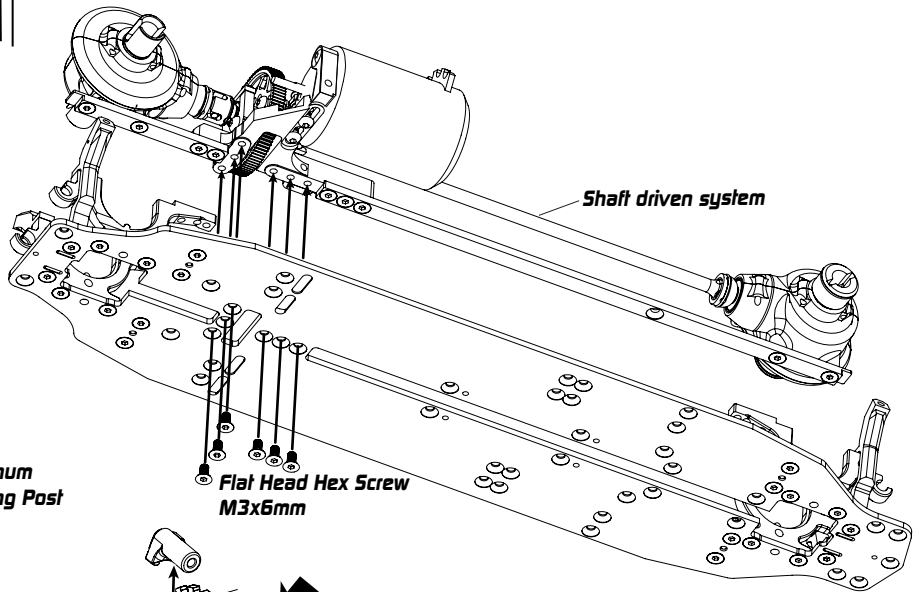
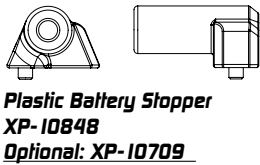
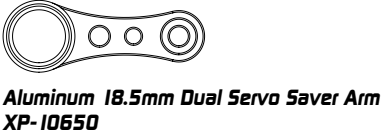
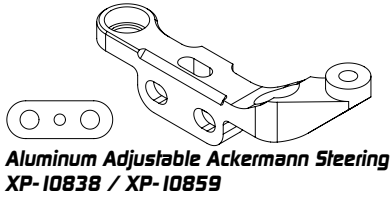


8. Driven System & Steering Assembly

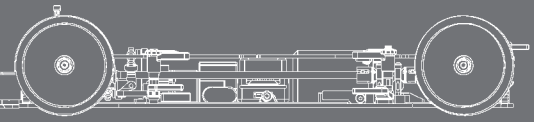
ARROW AT1



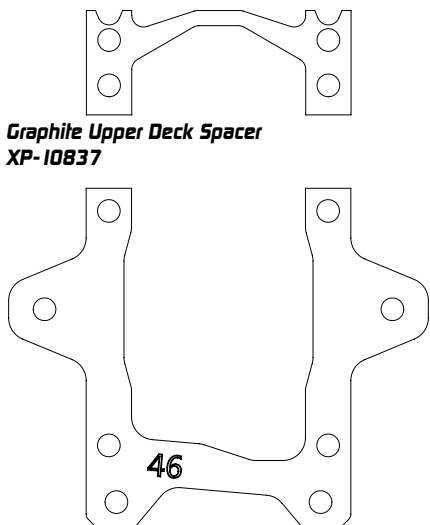
Bag G, I / Bearing Bag / HW Bag



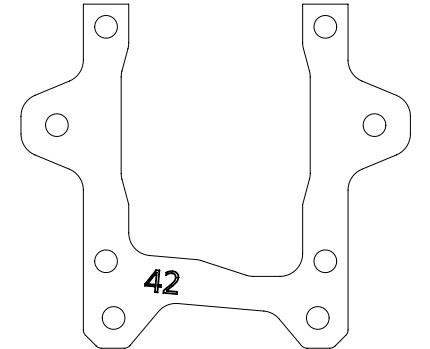
9. Upper Deck ARROW AT1 & Camberlink Plate Assembly



Bag J , K / HW Bag / Chassis Bag



Graphite Upper Deck Spacer
XP-10837



Graphite Camberlink Plate (46mm)
XP-10898



Aluminum Shim 3x5.5x2.0mm
XP-10241



Aluminum Shim 3x5.5x2.5mm
XP-40158



Aluminum Shim 3x5.5x5.0mm
XP-40156



Lock Nut 5.5mm
XP-40067



Flat Head Hex Screw M3x8mm
XP-40048



4.8mm Ball Inner Thread
XP-10045



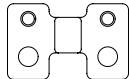
Bolt Head Hex Screw M3x6mm
XP-40037



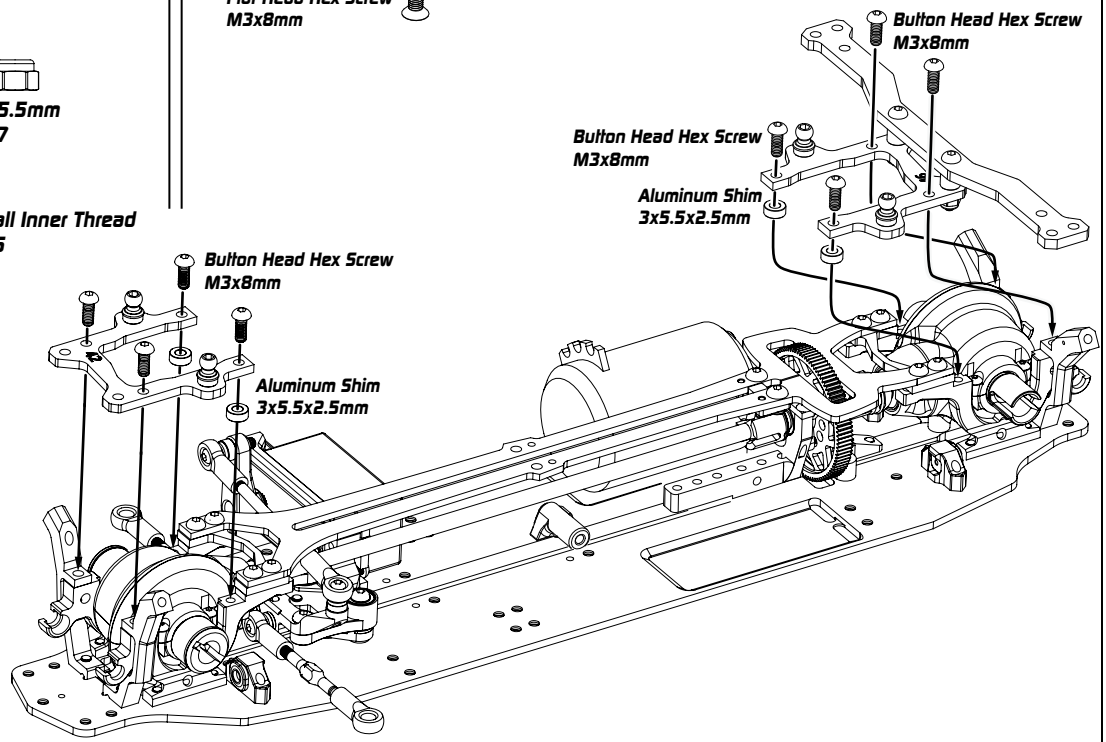
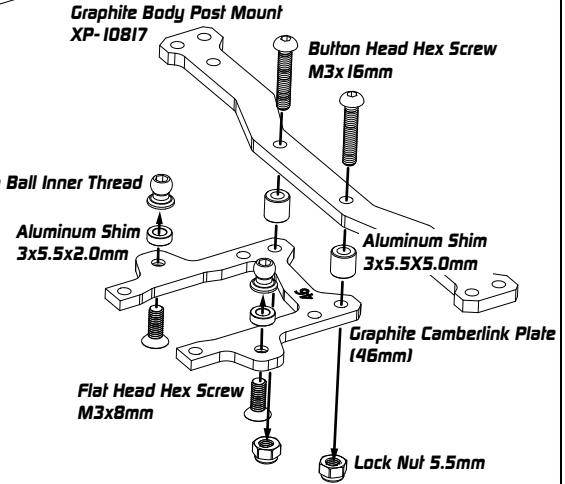
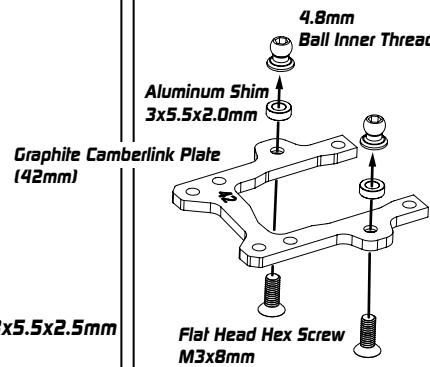
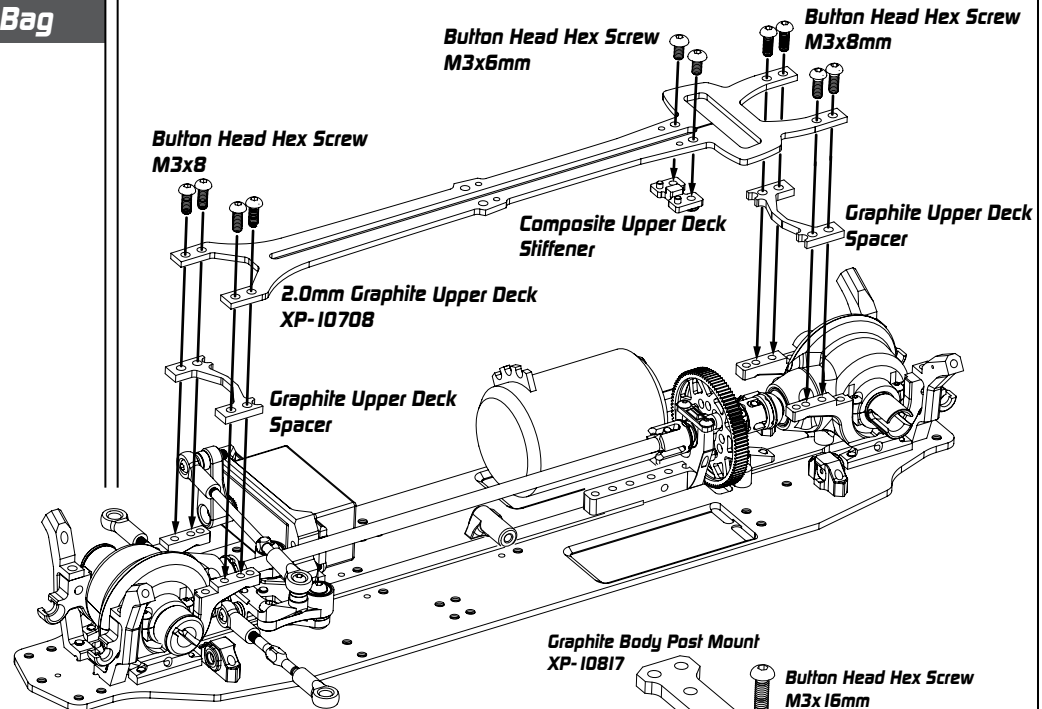
Bolt Head Hex Screw M3x8mm
XP-40038



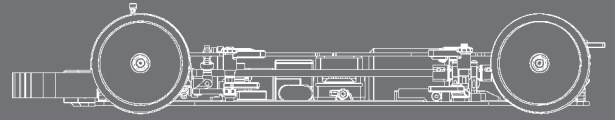
Bolt Head Hex Screw M3x16mm
XP-40042



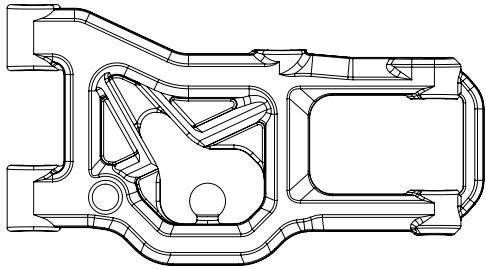
Composite Upper Deck Stiffener
XP-10643
Optional: XP-10566



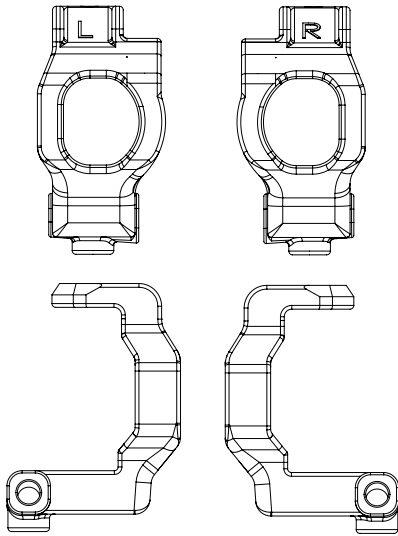
ARROW AT1 10. Front Arm Assembly



Bag K, L / HW Bag



Strong Front And Rear Composite Suspension Arms V2
 XP-10922 *Optional: XP-10923*



Strong Composite V2 C Hub 4 Degree
 XP-10400 *Optional: XP-10810*

3.0mm Outer Suspension pin w/ Groove
 XP-10602

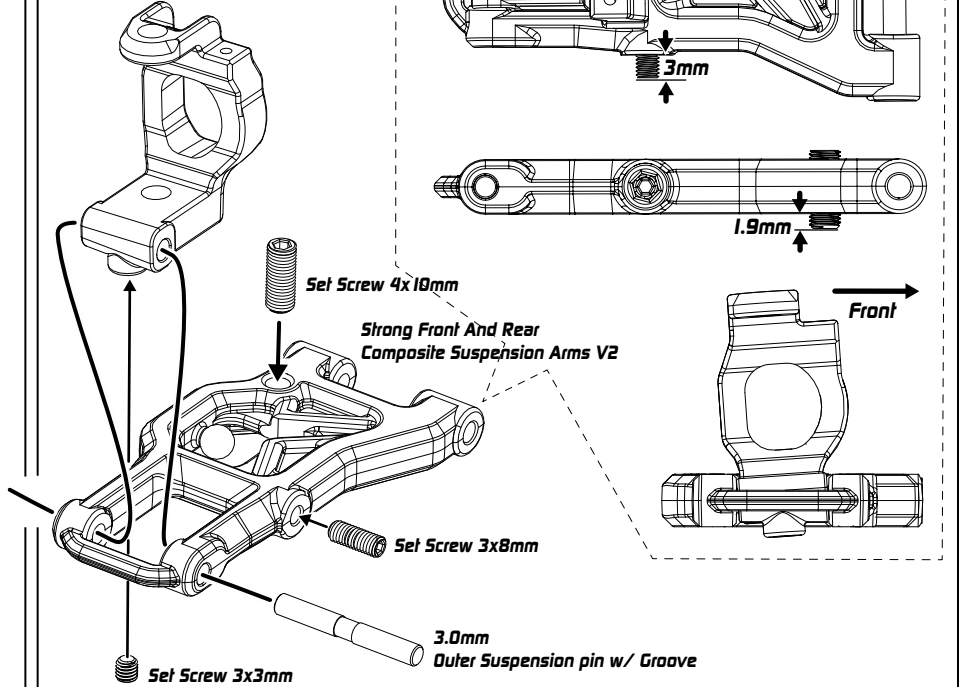
Set Screw 4x10mm
 XP-40056

Set Screw 3x8mm
 XP-40054

Set Screw M3 x 3mm
 XP-40052

Right

Strong Composite V2 C Hub 4 Degree



Set Screw 4x10mm

Strong Front And Rear Composite Suspension Arms V2

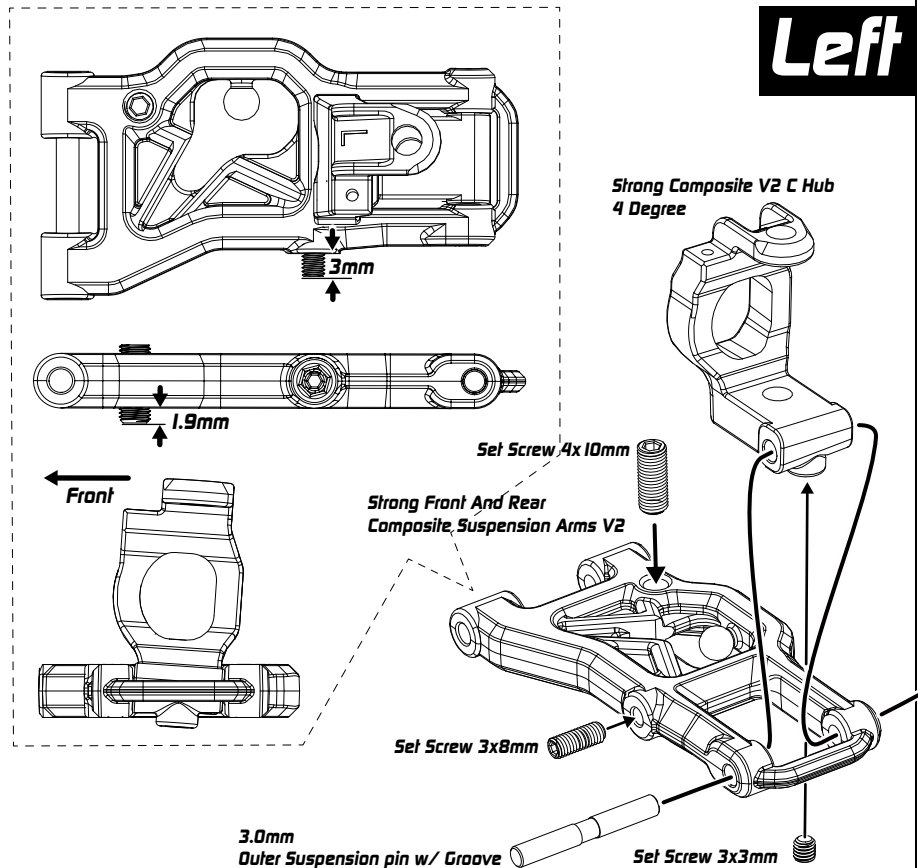
Set Screw 3x8mm

3.0mm Outer Suspension pin w/ Groove

Set Screw 3x3mm

Left

Strong Composite V2 C Hub 4 Degree



Set Screw 4x10mm

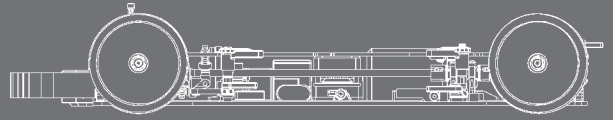
Strong Front And Rear Composite Suspension Arms V2

Set Screw 3x8mm

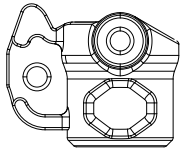
3.0mm Outer Suspension pin w/ Groove

Set Screw 3x3mm

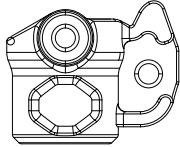
ARROW AT1 II. Knuckle Assembly



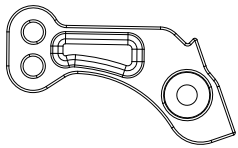
Bag M / Bearing Bag / HW Bag



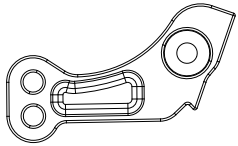
Composite Steering Block Right
XP-10109
Optional XP-10247



Composite Steering Block Left
XP-10109
Optional XP-10247



Composite Steering Block Plate Right
XP-10109
Optional XP-10247 , XP-10222



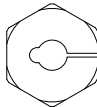
Composite Steering Block Plate Left
XP-10109
Optional XP-10247 , XP-10222



Ball Bearing 5 x 10 x 3mm
XP-40063



Ball Bearing 5 x 10 x 4mm
XP-40064



Alu Wheel Hub Red
XP-10129



Pin 2 x 9.8mm
XP-40069



Button Head Screw M3 x 8mm
XP-40038



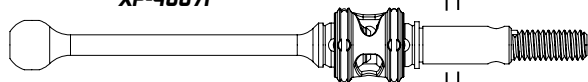
Cap Head Screw M1.6 x 4mm
XP-40073



Hex Set Screw M3 x 2mm
XP-40051



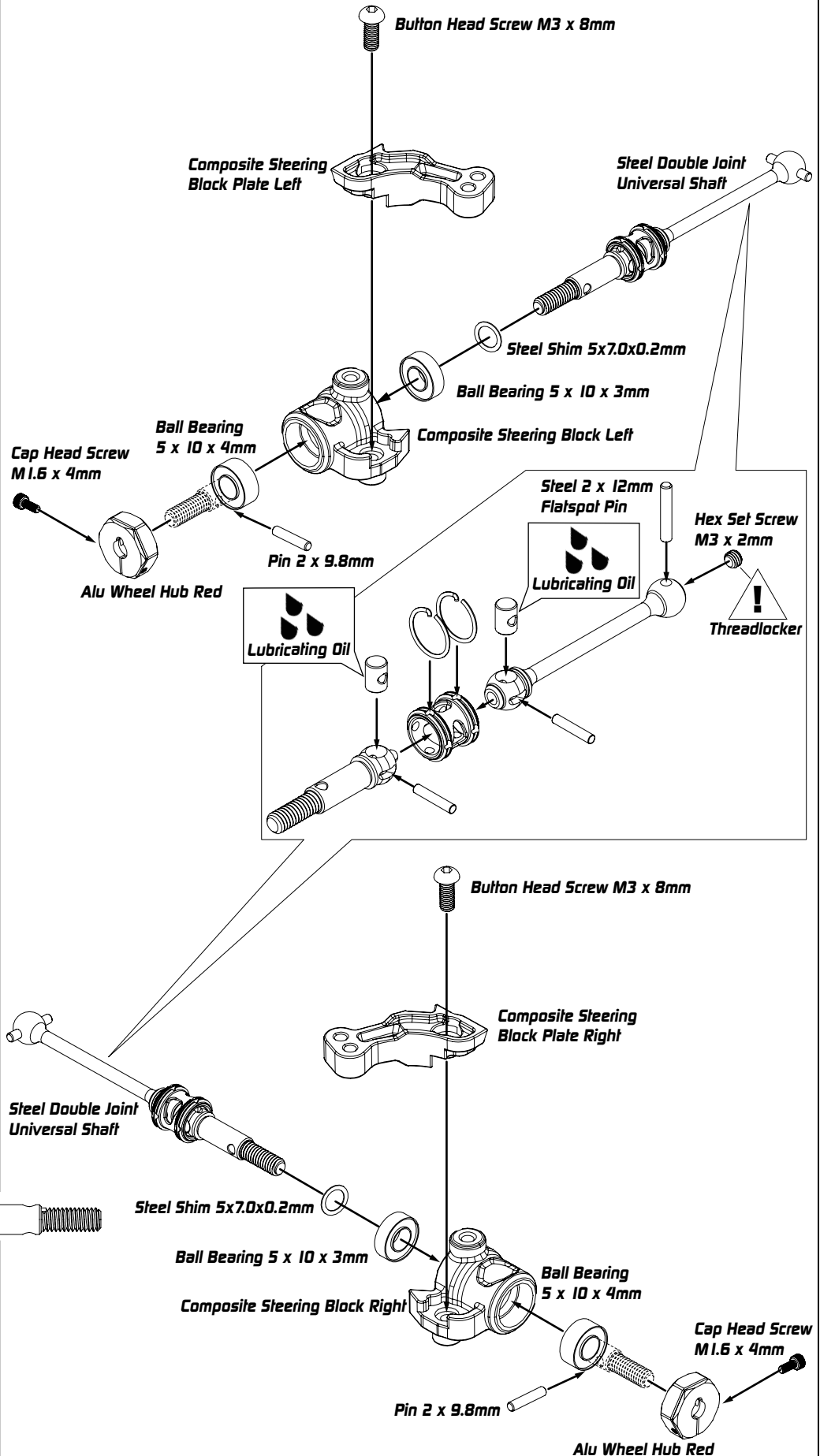
Steel 2 x 12mm Flatspot Pin for Universal
XP-40071

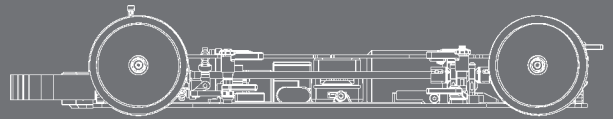


Steel Double Joint Universal Shaft
XP-10166



Steel Shim 5x7.0x0.2mm
XP-40086



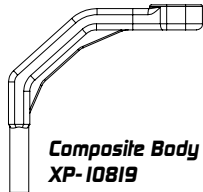


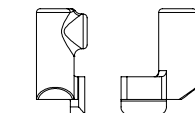
Bag K, L / HW Bag

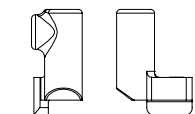
 **Flanged King Pin Collar**
XP-10401

 **King Pin**
XP-10401

 **4.8mm Ball 10mm Thread**
XP-10151

 **Composite Body Support Brace**
XP-10819

 **Composite Body Support Base - Left**
XP-10819

 **Composite Body Support Base - Right**
XP-10819

 **Hex Screw Button Head M2 x 6mm**
XP-40101

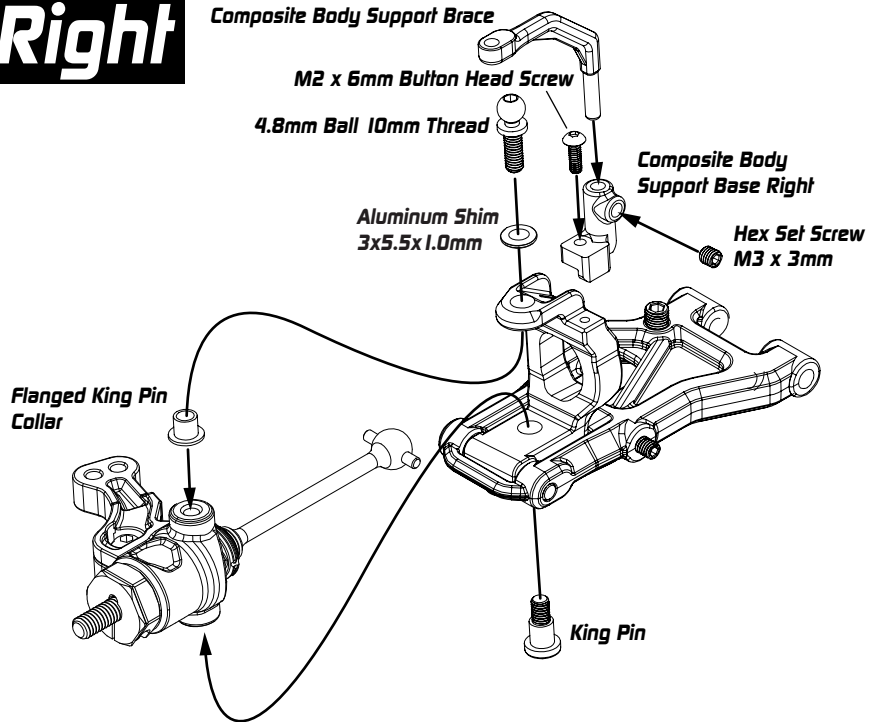
 **Set Screw M3 x 3mm**
XP-40052

 **Aluminum Shim 3x5.5x1.0mm**
XP-10240

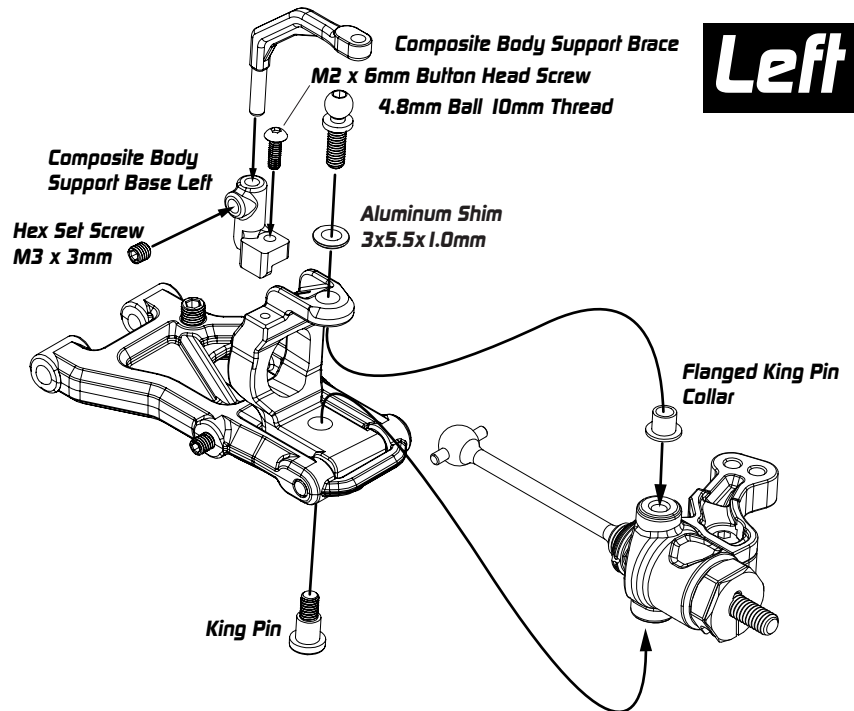
 **Aluminum Shim 3x5.5x2.0mm**
XP-10241

Right

Composite Body Support Brace

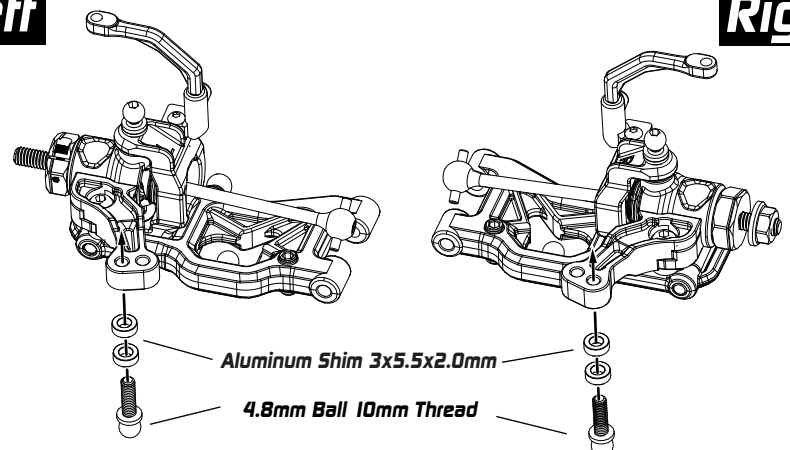


Left



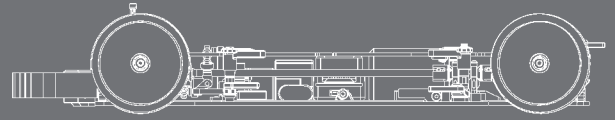
Left

Right

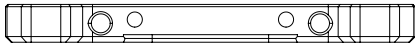


13. Front Arm & Rear Upright

ARROW AT1



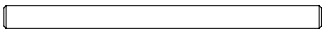
Bag L , N / Bearing Bag / HW Bag



Aluminum FF Lower One Piece Suspension Mount
XP-10114



Aluminum Shim 3x5.5x1.0mm
XP-10240



3.0mm Suspension Pivot Pin
XP-10139



Flat Head Hex Screw M3x6mm
XP-40046



4.8mm Ball 6mm Thread
XP-10149



Hex Cap head Screw M1.6x4mm
XP-40073



Hex Set Screw M3 x 2mm
XP-40051



Steel Pin 2X9.8mm
XP-40069



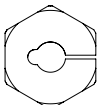
Steel 2 x 12mm Flatspot Pin
for Universal
XP-40071



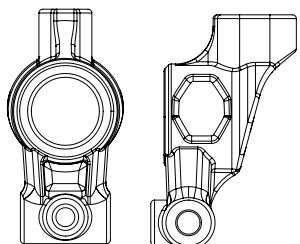
Driveshaft Protector Blade
XP-10128



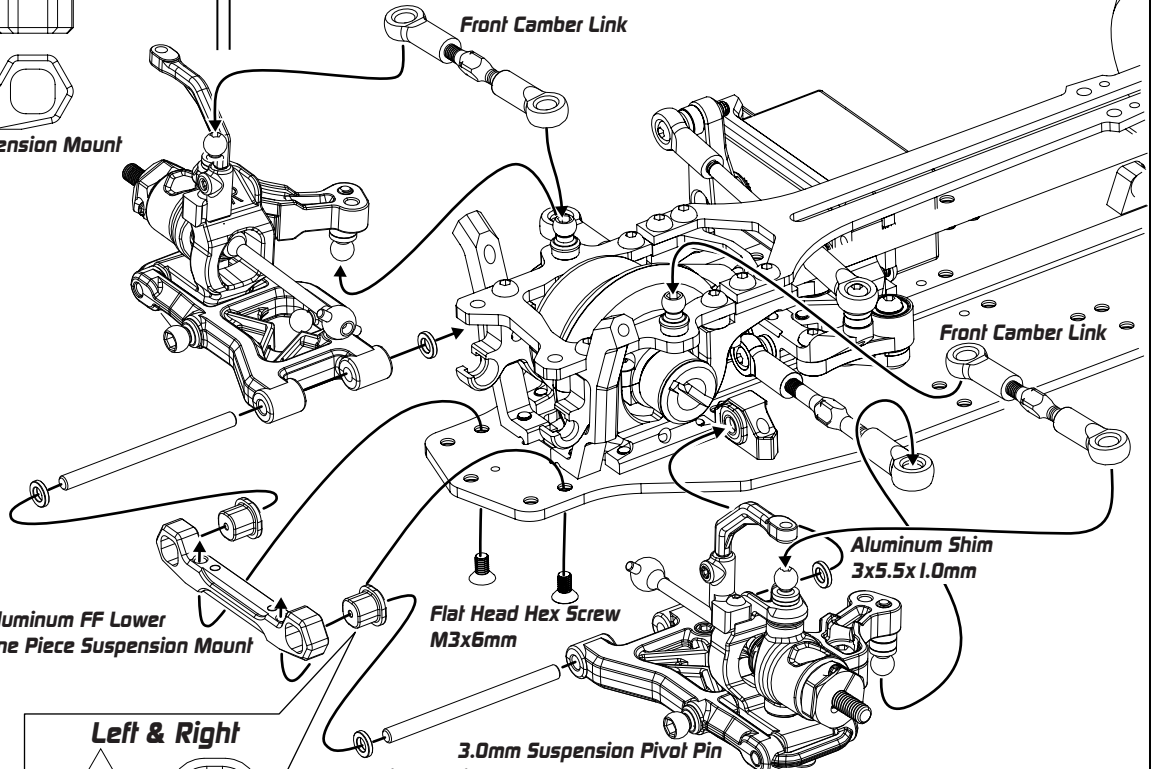
Ball Bearing 5x10x4mm
XP-40064



Aluminum Wheel Hub Hex 5mm
XP-10129

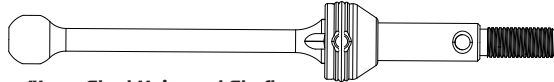


Composite Rear Upright V2
XP-10689
Optional: XP-10822



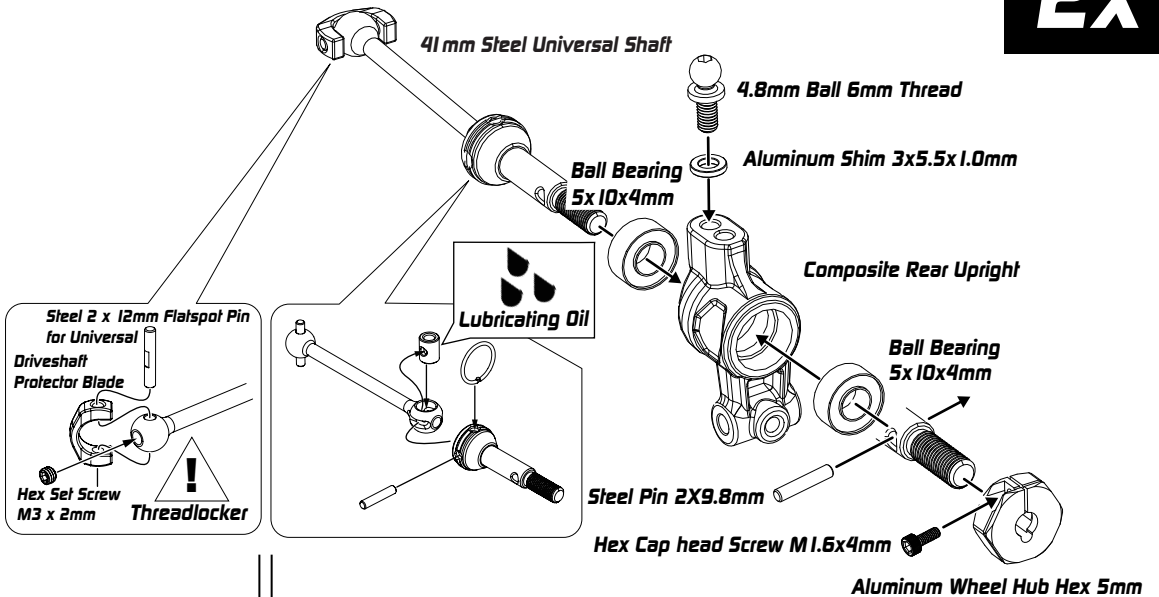
Left & Right

Eccentric Bushing Set
XP-10127

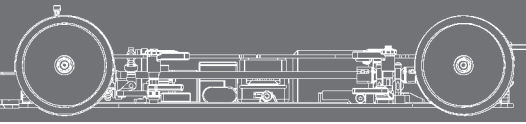


41 mm Steel Universal Shaft
XP-10899

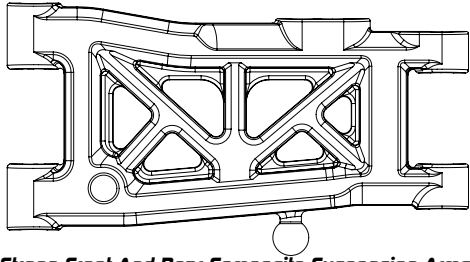
2x



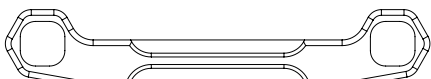
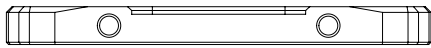
ARROW AT1 14. Rear Arm & Rear Upright



Bag K, N / Bearing Bag / HW Bag



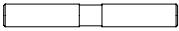
Strong Front And Rear Composite Suspension Arms
 XP-10922
 Optional: XP-10923



Aluminum RR Lower One Piece Suspension Mount
 XP-10124



3x46.5mm Suspension Pivot Pin
 XP-10874



3.0mm Outer Suspension pin w/ Groove
 XP-10602



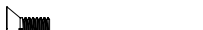
Set Screw M3 x 3mm
 XP-40052



Set Screw M3x 10mm
 XP-40055



Set Screw M4x 10mm
 XP-40056



Flat Head Hex Screw M3x6mm
 XP-40046



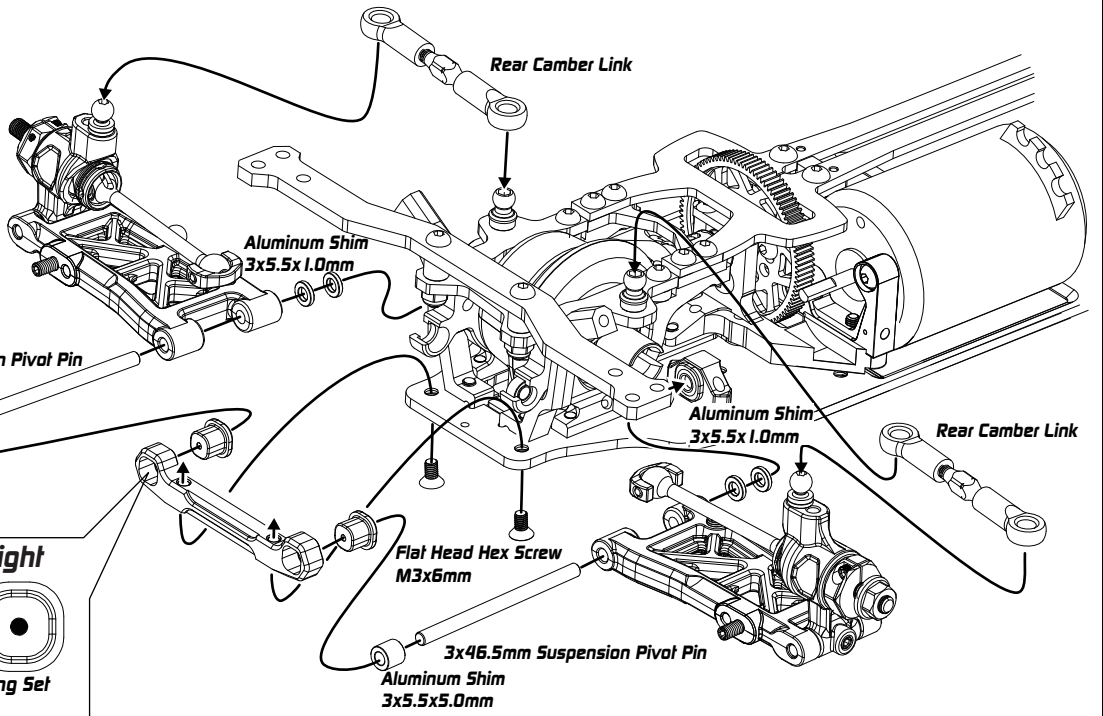
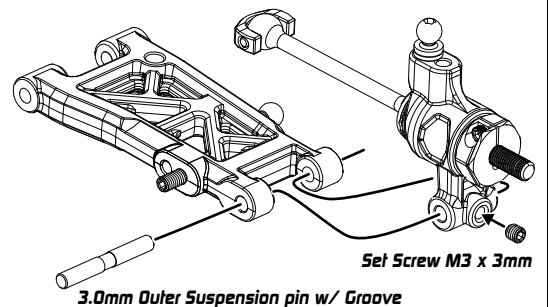
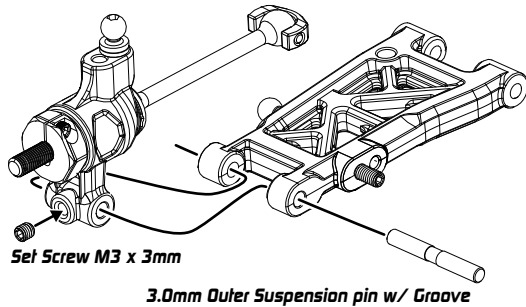
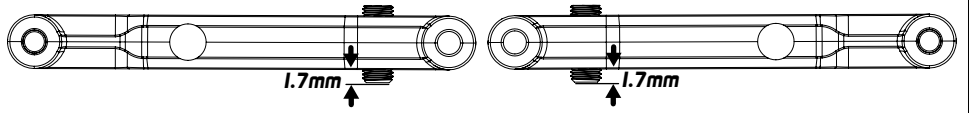
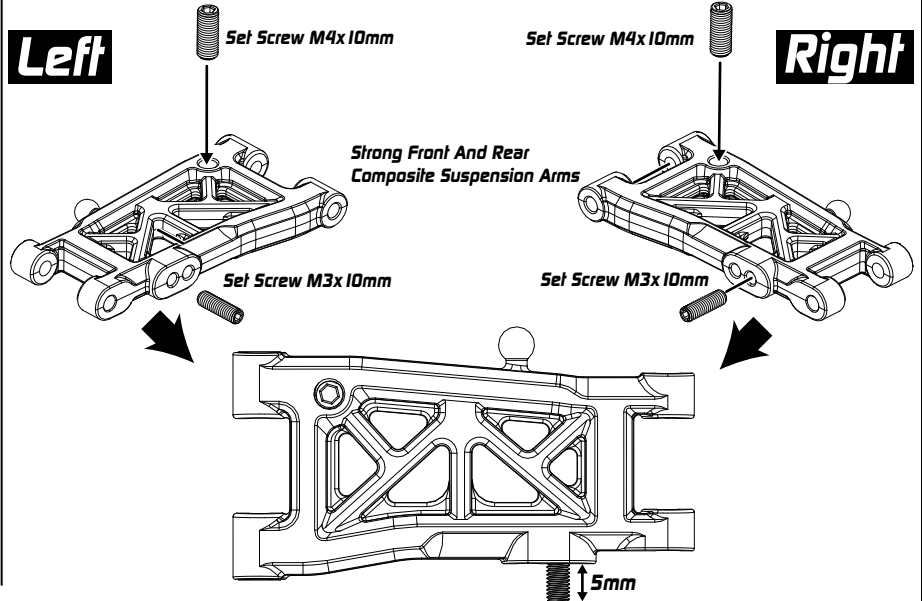
Aluminum Shim 3x5.5x 1.0mm
 XP-10240



Aluminum Shim 3x5.5x5.0mm
 XP-40156

Left

Right

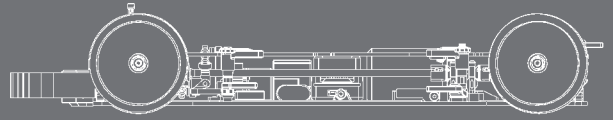


Left & Right

Eccentric Bushing Set
 XP-10127

15. Front & Rear Anti-Roll Bar

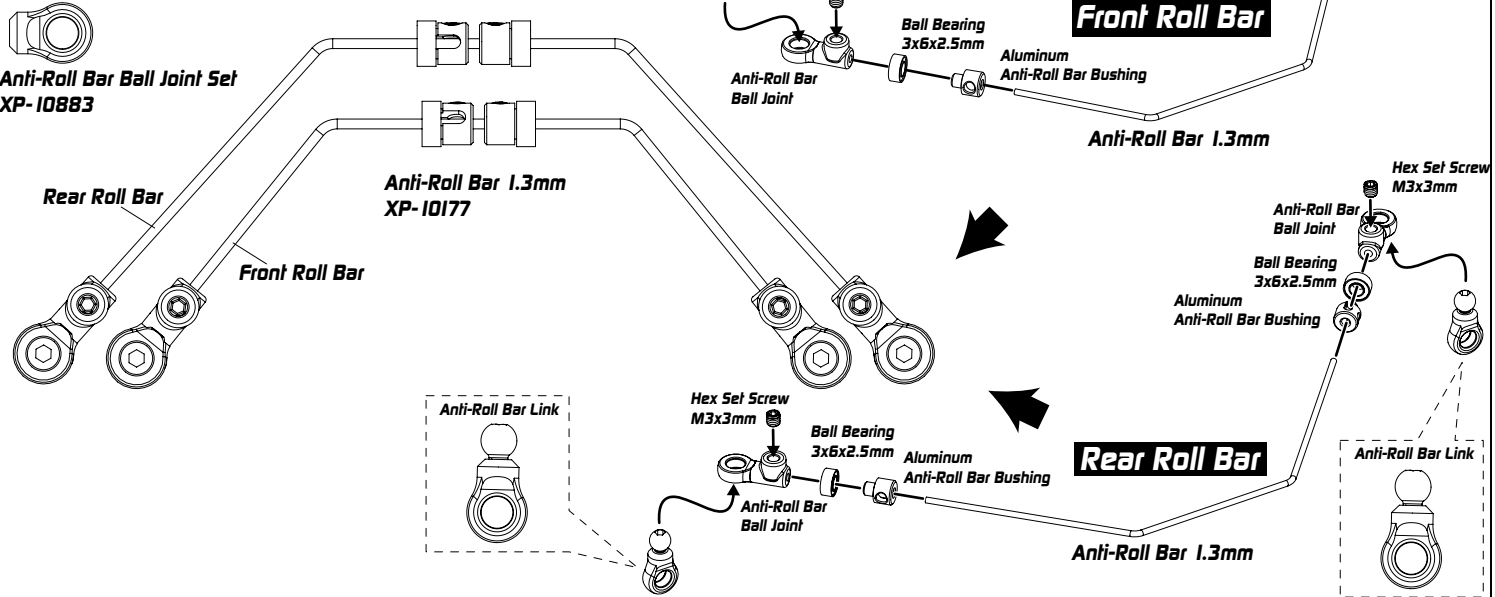
ARROW AT1



Bag 0 / Bearing Bag / HW Bag

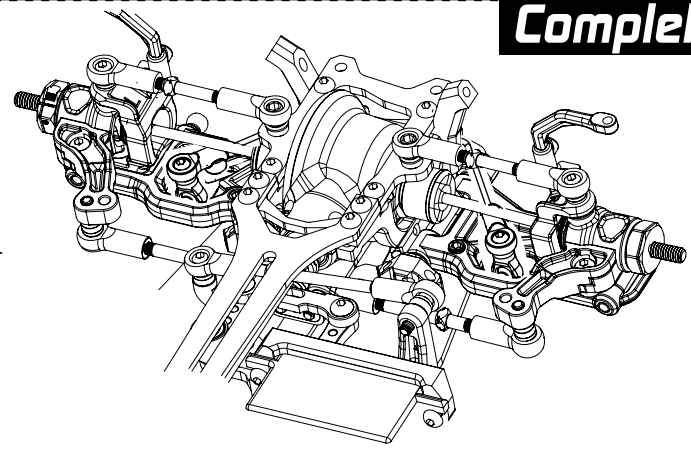
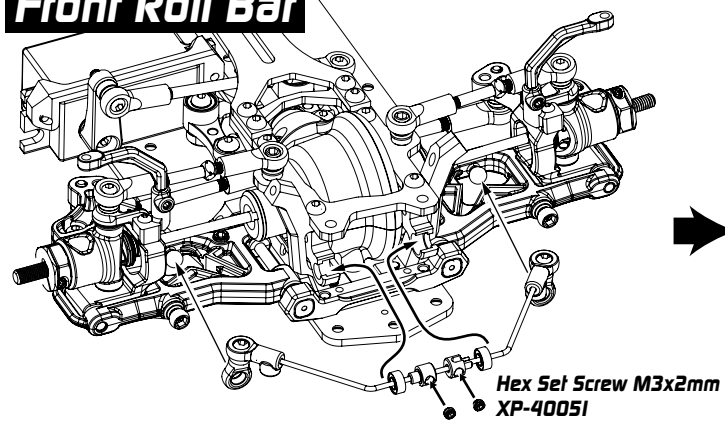
4x Anti-Roll Bar Link

- Hex Set Screw M3x2mm XP-40051
- Anti-Roll Bar Bushing XP-10889
- Composite Anti-Roll Bar Ball Joint XP-10652
- Anti-Roll Bar Ball Joint Set XP-10883
- Hex Set Screw M3x3mm XP-40052
- Ball Bearing 3x6x2.5mm XP-40060
- Aluminum Anti-Roll Bar Ball XP-10818
- Anti-Roll Bar Ball Joint XP-10177



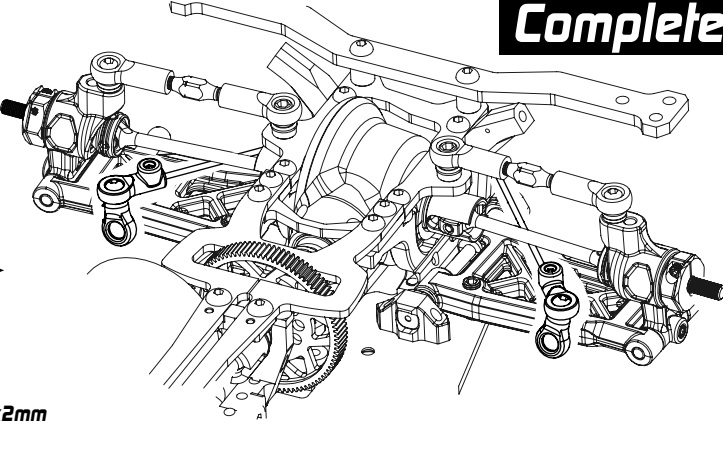
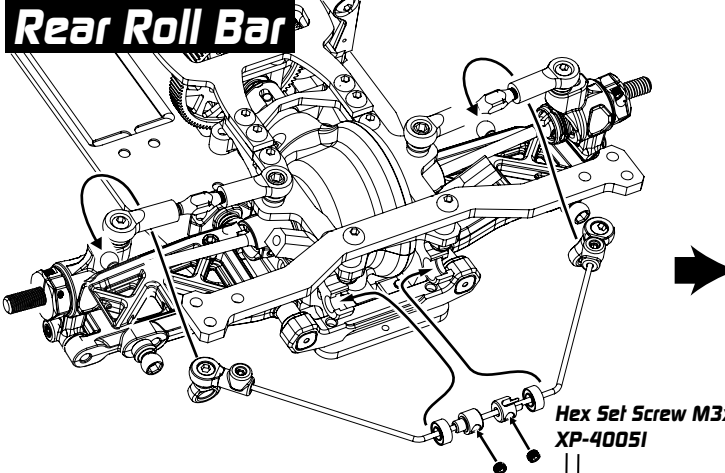
Front Roll Bar

Completed

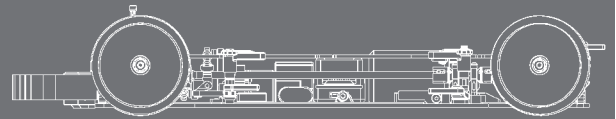


Rear Roll Bar

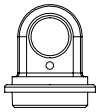
Completed



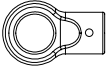
ARROW AT1 16. Shocks Assembly



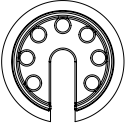
Bag P



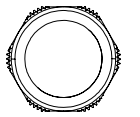
Long Travel Short Shock Grey Composite Shock Parts XP-10724



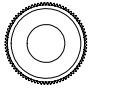
Long Travel Short Shock Grey Composite Shock Parts XP-10724



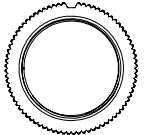
Shock Spring Retainer XP-10724



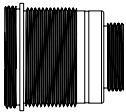
Alu Short Shock Cap XP-10578



Alu Lower Short Shock Cap XP-10579



Alu Short Shock Adjustable Nut XP-10580



Long Travel Alu Short Shock Body XP-10725



4 Hole Piston XP-10159



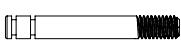
Shaft Cover XP-10159



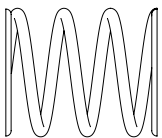
5.5mm Pivot Ball XP-10121



E-Clip 2.5mm XP-40057



Short Shock Shaft XP-10582



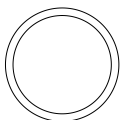
Stiff Shock Spring Pink XP-10170



Shock Absorber Membrane XP-10147



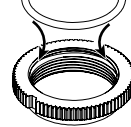
Shock X-Ring XP-10601



O Ring For Spring Adjust Nut XP-10607

4x

O Ring For Spring Adjust Nut



Alu Short Shock Adjustable Nut

Alu Short Shock Body

450 CST

Alu Short Shock Adjustable Nut

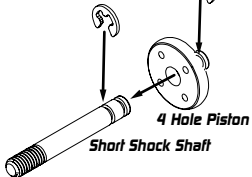
Shock X-Ring

Shaft Cover

Alu Lower Short Shock Cap

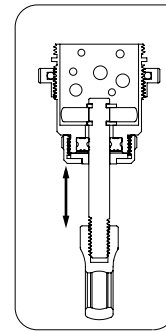
450 CST

E-Clip 2.5mm



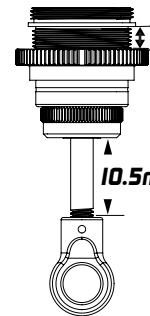
4 Hole Piston Short Shock Shaft

Cycle The Shock Shaft In a Upwards And Downwards Motion To Bring The Air Bubbles On top Of The Shock Piston



450Cst

Approx. Front 2.8mm Rear 2.4mm

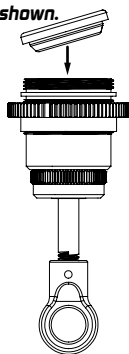


10.5mm

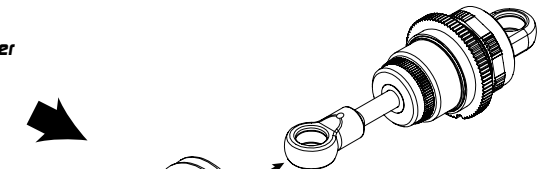
Alu Short Shock Cap

Long Travel Short Shock Grey Composite Shock Parts

Install the shock bladder slowly on an angle as shown.

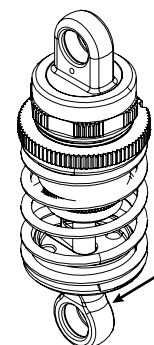


Shock Absorber Membrane

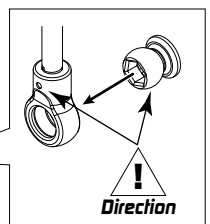


Stiff Shock Spring Pink

Shock Spring Retainer



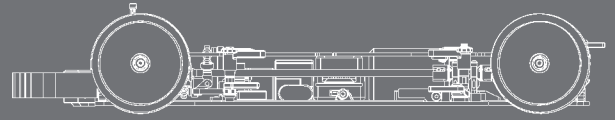
5.5mm Pivot Ball



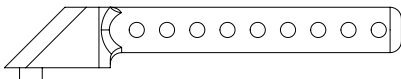
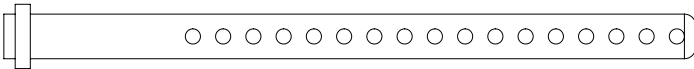
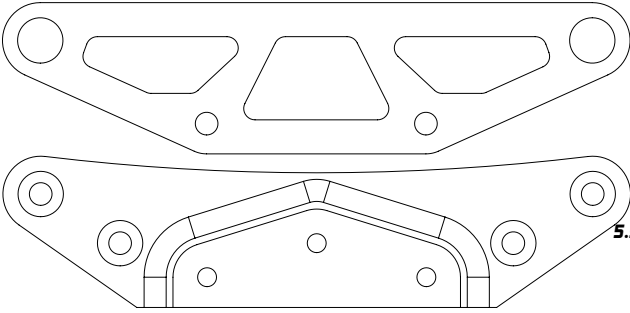
Direction

17. Shocks, Bumper & Body Post

ARROW AT1



Bag Q / HW Bag




Bumper Body Post
XP-10863

 **Flat Head Hex Screw M3x8mm**
XP-40048

 **Aluminum Shim 3x5.5x2.0mm**
XP-10241

 **Aluminum Shim 3x5.5x2.5mm**
XP-40158

 **5.5mm Ball 8mm Thread**
XP-10895

 **Flat Head Hex Screw M3x8mm**

Low Profile Foam Bumper
XP-10562

Bumper Body Post

Flat Head Hex Screw M3x8mm



5.5mm Ball 8mm Thread
Aluminum Shim 3x5.5x2.5mm

Aluminum Shim 3x5.5x2.5mm
5.5mm Ball 8mm Thread



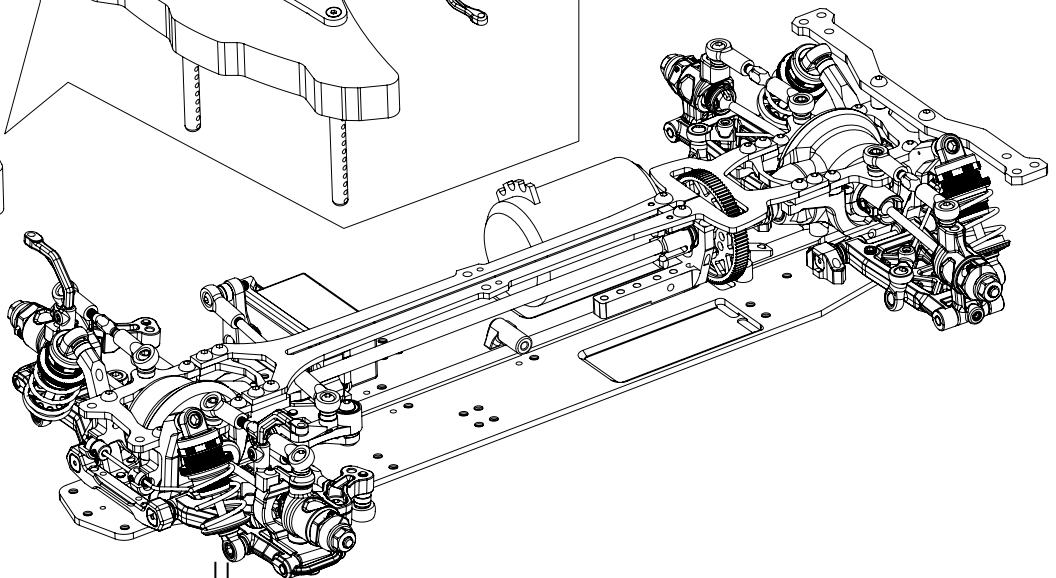
Aluminum Shim 3x5.5x2.0mm

5.5mm Ball 8mm Thread
Aluminum Shim 3x5.5x2.5mm

Flat Head Hex Screw M3x8mm

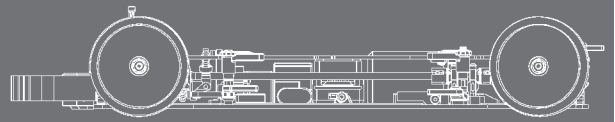
Aluminum Shim 3x5.5x2.5mm
5.5mm Ball 8mm Thread

Aluminum Shim 3x5.5x2.0mm

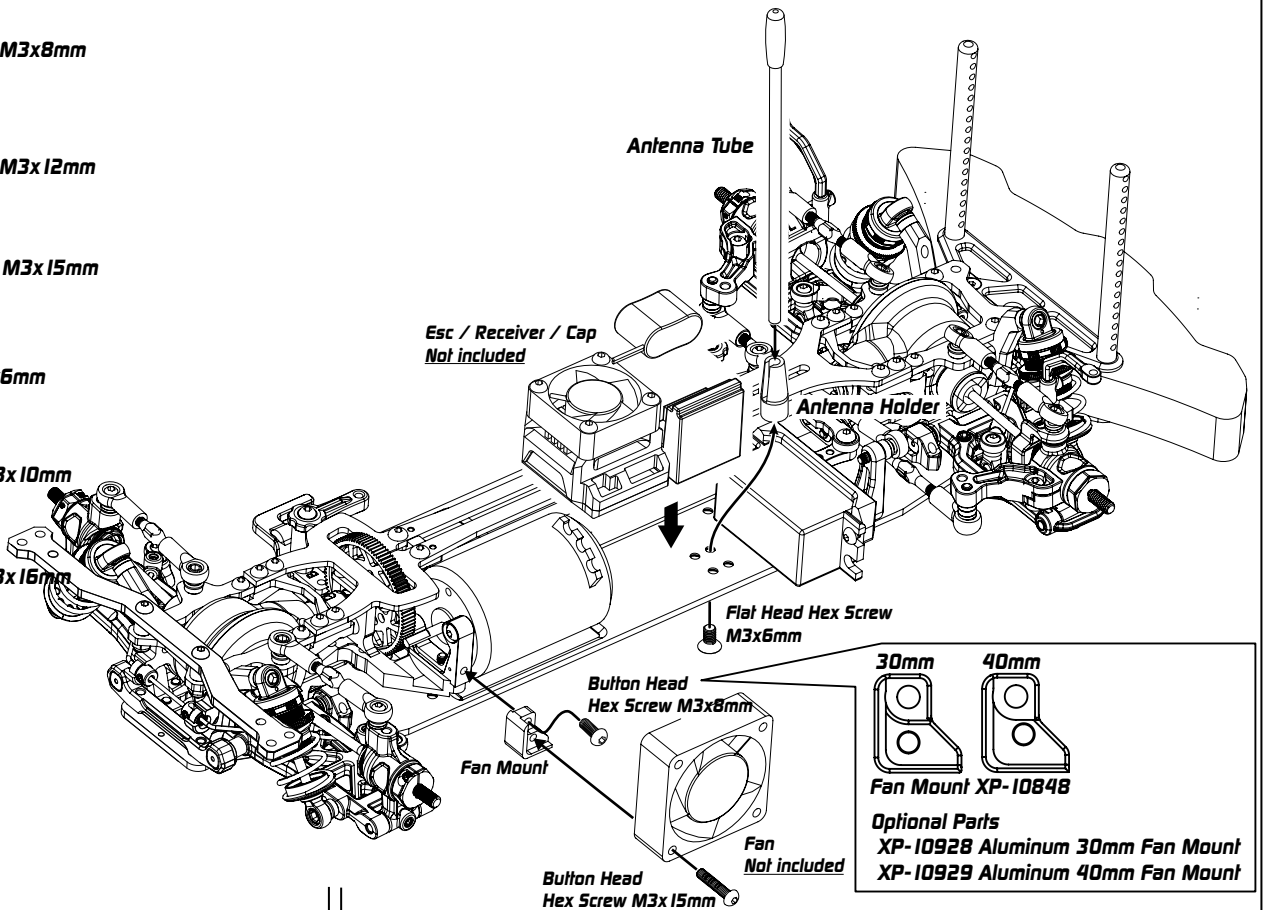
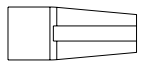
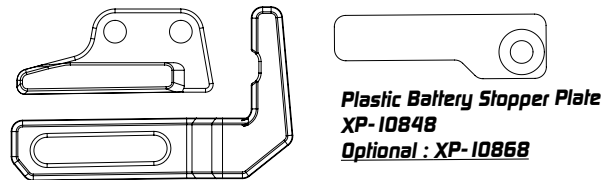
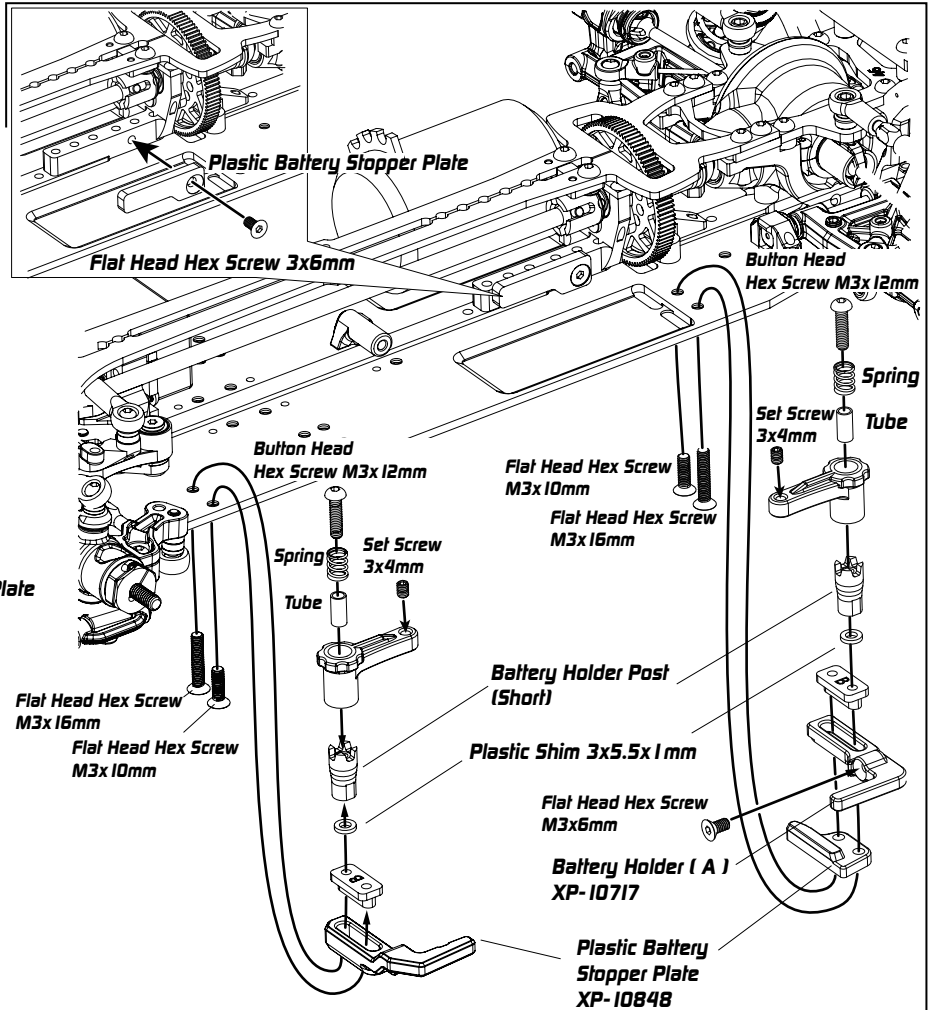
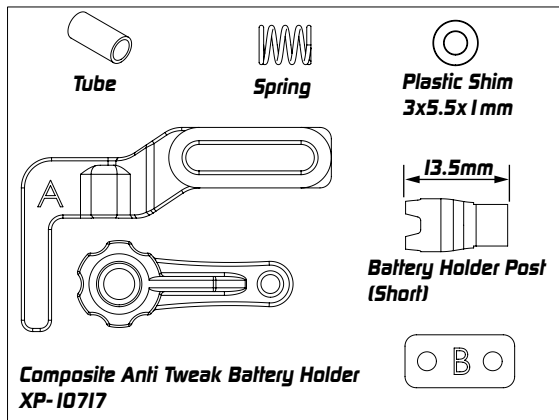


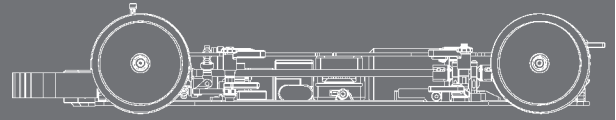
18. Battery Holder & Fan Mount

ARROW AT1



Bag G, R / HW Bag





HW Bag

 **Bulb Head Hex Screw M3x8mm XP-40038**

 **Body Height Support XP-10863**

 **Body Clips XP-10055**

 **Lock Nut 7mm XP-40068**

Lock Nut 7mm XP-40068

Battery Not Included

Wheel/Tires Not Included

Personal Transponder Not Included

Wheel/Tires Not Included

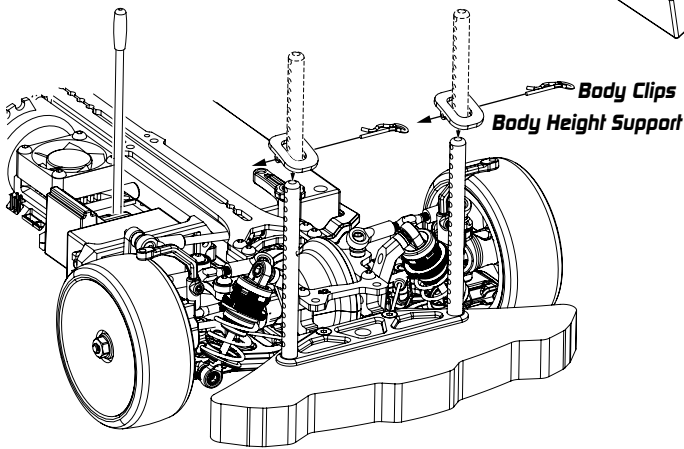
Lock Nut 7mm XP-40068

Wheel/Tires Not Included

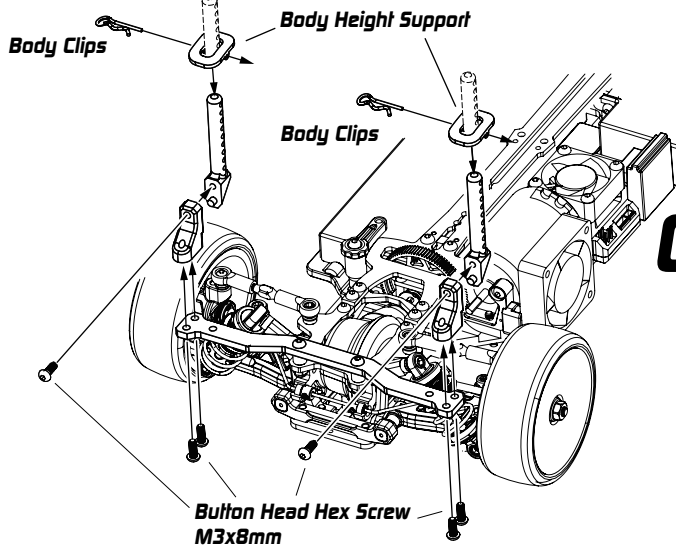
Lock Nut 7mm XP-40068

Wheel/Tires Not Included

Lock Nut 7mm XP-40068

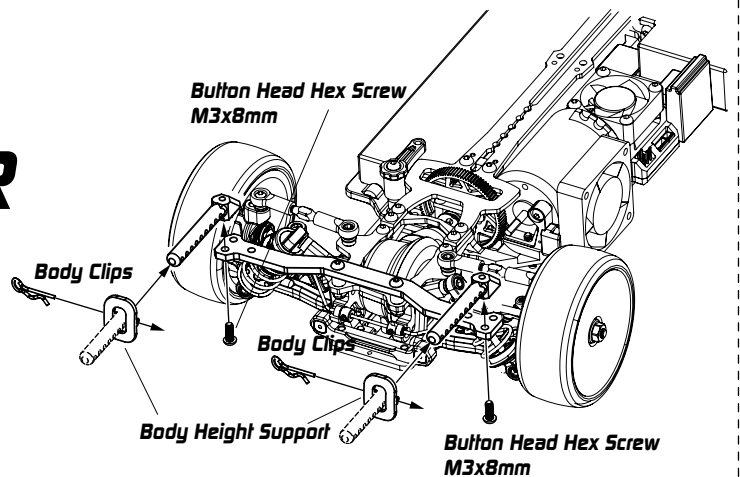


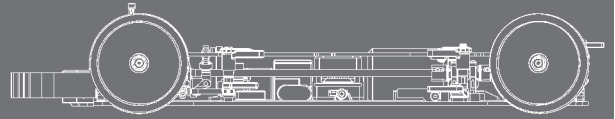
Vertical Rear Body Post



OR

Horizontal Rear Body Post





Pinon (64P)

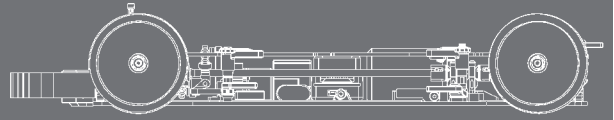
	25	26	27	28	29	30	31	32	33	34	35	36	37	38	39	40	41	42	43	44	45	46	47	48	49	50															
2.353																																									
80																																									
81												5.29	5.15	5.02	4.89	4.76	4.65	4.54	4.43	4.33	4.24	4.14	4.06	3.97	3.89	3.81															
82											5.51	5.36	5.21	5.08	4.95	4.82	4.71	4.59	4.49	4.39	4.29	4.19	4.11	4.02	3.94	3.86															
83										5.74	5.58	5.42	5.28	5.14	5.01	4.88	4.76	4.65	4.54	4.44	4.34	4.25	4.16	4.07	3.99	3.91															
84										5.99	5.81	5.65	5.49	5.34	5.20	5.07	4.94	4.82	4.71	4.60	4.49	4.39	4.30	4.21	4.12	4.03	3.95														
85									6.25	6.06	5.88	5.71	5.56	5.41	5.26	5.13	5.00	4.88	4.76	4.65	4.55	4.44	4.35	4.26	4.17	4.08	4.00														
86									6.53	6.32	6.13	5.95	5.78	5.62	5.47	5.33	5.19	5.06	4.94	4.82	4.71	4.60	4.50	4.40	4.31	4.22	4.13	4.05													
87									6.82	6.60	6.40	6.20	6.02	5.85	5.69	5.53	5.37	5.22	5.09	4.97	4.85	4.73	4.62	4.51	4.41	4.31	4.22	4.13													
88									7.14	6.90	6.68	6.47	6.27	6.09	5.92	5.75	5.58	5.41	5.25	5.11	4.98	4.86	4.74	4.62	4.51	4.41	4.31	4.23	4.14												
89									7.48	7.22	6.98	6.76	6.54	6.35	6.16	5.98	5.82	5.66	5.51	5.37	5.24	5.11	4.99	4.87	4.76	4.65	4.55	4.46	4.37	4.28											
90									7.84	7.56	7.30	7.06	6.83	6.62	6.42	6.23	6.05	5.88	5.72	5.57	5.43	5.29	5.17	5.04	4.92	4.81	4.71	4.60	4.51	4.41	4.32	4.24									
91									8.24	7.93	7.65	7.38	7.14	6.91	6.69	6.50	6.32	6.15	5.99	5.83	5.67	5.51	5.35	5.22	5.10	4.98	4.87	4.76	4.65	4.56	4.46	4.37	4.28								
92									8.66	8.33	8.02	7.73	7.46	7.22	6.98	6.76	6.56	6.37	6.19	6.01	5.85	5.70	5.55	5.41	5.28	5.15	5.03	4.92	4.81	4.71	4.61	4.51	4.42	4.33							
93									8.75	8.42	8.10	7.82	7.55	7.29	7.06	6.84	6.63	6.44	6.25	6.08	5.91	5.76	5.61	5.47	5.34	5.21	5.09	4.97	4.86	4.76	4.66	4.56	4.47	4.38							
94									8.85	8.51	8.19	7.90	7.63	7.37	7.13	6.91	6.70	6.51	6.32	6.14	5.98	5.82	5.67	5.53	5.39	5.27	5.14	5.03	4.92	4.81	4.71	4.61	4.51	4.42	4.33						
95									8.94	8.60	8.28	7.98	7.71	7.45	7.21	6.99	6.77	6.57	6.39	6.21	6.04	5.88	5.73	5.59	5.45	5.32	5.20	5.08	4.97	4.86	4.76	4.66	4.56	4.47	4.38						
96									9.04	8.69	8.37	8.07	7.79	7.53	7.29	7.06	6.85	6.64	6.45	6.27	6.11	5.94	5.79	5.65	5.51	5.38	5.25	5.13	5.02	4.91	4.81	4.71	4.61	4.51	4.42	4.33					
97									9.13	8.78	8.45	8.15	7.87	7.61	7.36	7.13	6.92	6.71	6.52	6.34	6.17	6.01	5.85	5.71	5.57	5.43	5.31	5.19	5.07	4.96	4.86	4.76	4.66	4.56	4.46	4.37	4.28				
98									9.22	8.87	8.54	8.24	7.95	7.69	7.44	7.21	6.99	6.78	6.59	6.41	6.23	6.07	5.91	5.76	5.62	5.49	5.36	5.24	5.12	5.01	4.91	4.80	4.71	4.61	4.51	4.41	4.32	4.23			
99									9.32	8.96	8.63	8.32	8.03	7.76	7.51	7.28	7.06	6.85	6.66	6.47	6.30	6.13	5.97	5.82	5.68	5.55	5.42	5.29	5.18	5.06	4.96	4.85	4.75	4.65	4.55	4.45	4.35	4.26	4.17	4.08	
100									9.41	9.05	8.71	8.40	8.11	7.84	7.59	7.35	7.13	6.92	6.72	6.54	6.36	6.19	6.03	5.88	5.74	5.60	5.47	5.35	5.23	5.12	5.01	4.90	4.80	4.70	4.60	4.50	4.40	4.30	4.20	4.10	
101									9.51	9.14	8.80	8.49	8.19	7.92	7.67	7.43	7.20	6.99	6.79	6.60	6.42	6.25	6.09	5.94	5.80	5.66	5.53	5.40	5.28	5.17	5.06	4.95	4.85	4.74	4.64	4.54	4.44	4.34	4.24	4.14	
102									9.60	9.23	8.89	8.57	8.28	8.00	7.74	7.50	7.27	7.06	6.86	6.67	6.49	6.32	6.15	6.00	5.85	5.71	5.58	5.45	5.33	5.22	5.11	5.01	4.90	4.80	4.70	4.60	4.50	4.40	4.30	4.20	4.10

Spur Gear (64P)

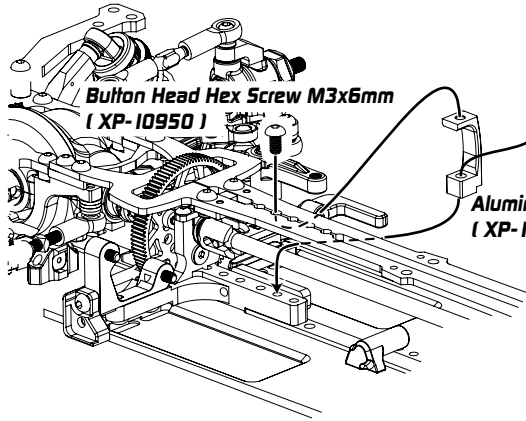
Pinon (48P)

	15	16	17	18	19	20	21	22	23	24	25	26	27	28	29	30	31	32	33	34	35	36	37	38	39	40		
2.353																												
52																												
53																												
54																												
55																												
56																												
57																												
58																												
59																												
60																												
61																												
62																												
63																												
64																												
65																												
66																												
67																												
68																												
69																												
70																												
71																												
72																												
73																												
74																												

Spur Gear (48P)



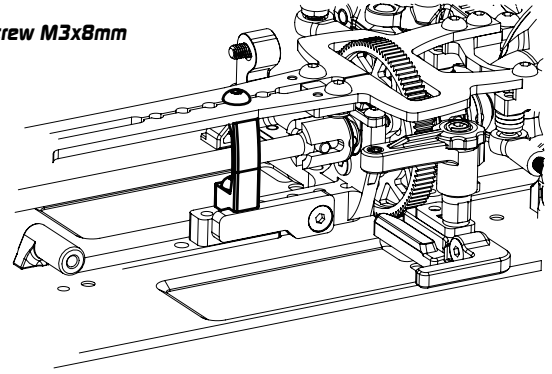
XP-10950 - Aluminum Flex Control Mount



Button Head Hex Screw M3x6mm
(XP-10950)

Button Head Hex Screw M3x8mm
(XP-10950)

Aluminum Stiffener
(XP-10950)



XP-10641 - On-power Control System

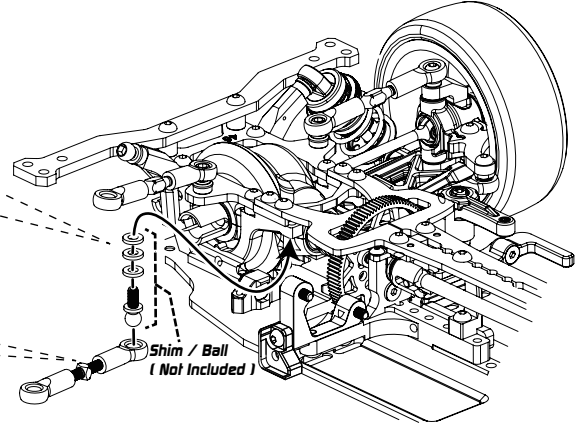
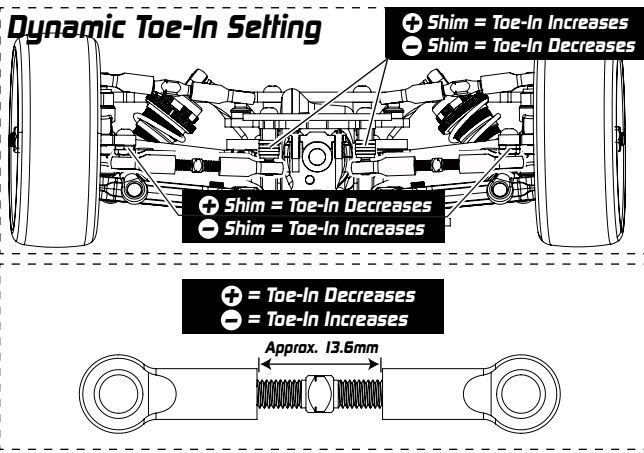
Dynamic Toe-In Setting

⊕ Shim = Toe-In Increases
⊖ Shim = Toe-In Decreases

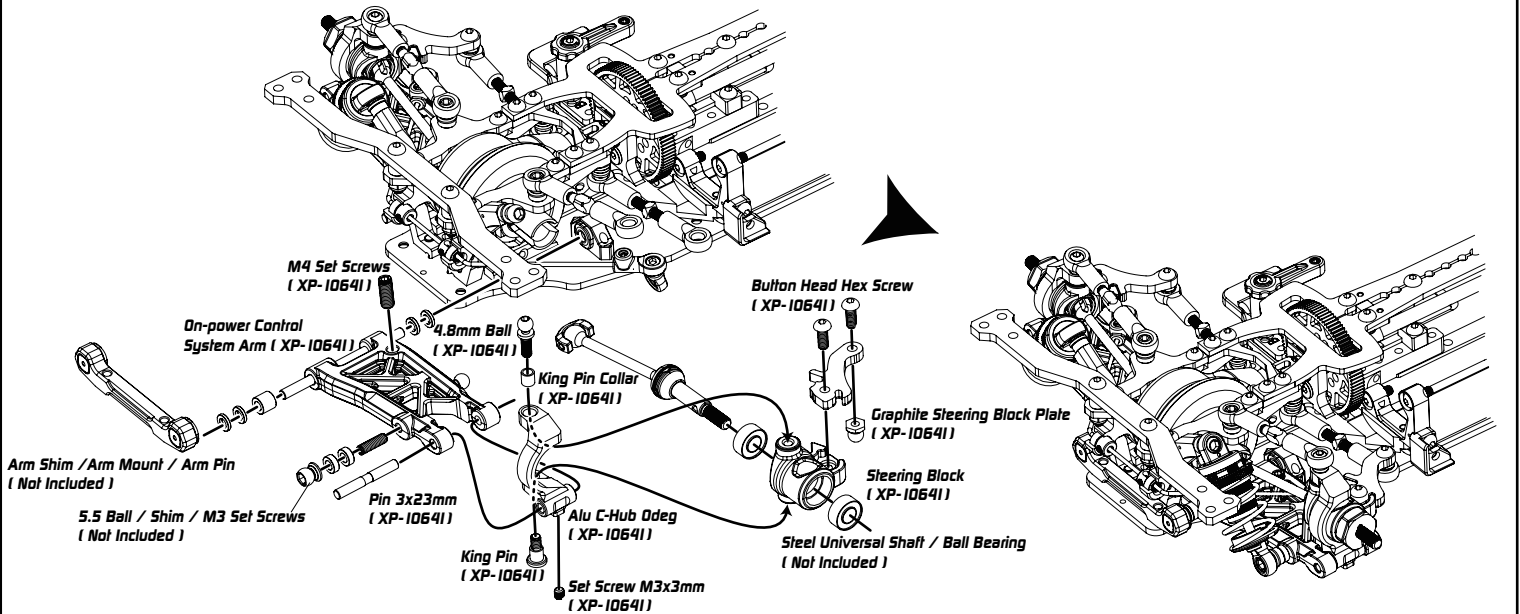
⊕ Shim = Toe-In Decreases
⊖ Shim = Toe-In Increases

⊕ = Toe-In Decreases
⊖ = Toe-In Increases

Approx. 13.6mm



Shim / Ball
(Not Included)



M4 Set Screws
(XP-10641)

On-power Control
System Arm (XP-10641)

Arm Shim / Arm Mount / Arm Pin
(Not Included)

5.5 Ball / Shim / M3 Set Screws
(Not Included)

Pin 3x23mm
(XP-10641)

King Pin
(XP-10641)

Set Screw M3x3mm
(XP-10641)

King Pin Collar
(XP-10641)

Alu C-Hub Odpeg
(XP-10641)

Button Head Hex Screw
(XP-10641)

4.8mm Ball
(XP-10641)

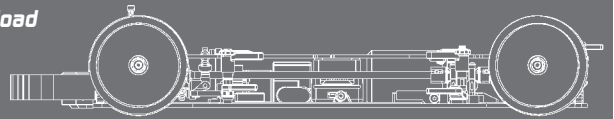
Steel Universal Shaft / Ball Bearing
(Not Included)

Graphite Steering Block Plate
(XP-10641)

Steering Block
(XP-10641)



Latest Parts & Hop-Ups Information
www.rc-xpress.com/arrow-at1-parts



Driver _____ Track Surface _____ Track Temperature _____
 Date _____ Track Traction _____ Result _____ Air Temperature _____
 Track _____ Country _____ Best Lap _____ Humidity _____ Remark _____

Front Suspension Arm N H C-Hub N H Steering Block N H Steering Block N H N = Normal H = Hard

Shim 1 mm Shim 2.5 mm Shim 2.5 mm Shim 1 mm Shim 2 mm Shim 2 mm

5.2 5.0 4.8 4.6 4.4 4.2 4

Rear Shim 1 mm Shim 2 mm Shim 2 mm Shim 4 4.2 4.4 4.6 4.8 5.0 5

Camber Link Item No: XP: 42 mm

5 mm Hex Offset 5 mm
 1 mm Camber 1 mm
 5 mm Ride Height 5.5 mm
 6 mm DownStop 5 mm
 1.3 mm Sway Bar 1.3 mm

Item No: XP: 46 mm

Optional On-Power Control System

Shim mm Shim mm Shim mm Shim mm

Hex Offset _____ mm
 Camber _____ mm
 Ride Height _____ mm
 DownStop _____ mm
 Sway Bar _____ mm

Steering Block M H
 Suspension Arm M H

Front Toe Out 1° Front Tire Additive Area Bump Steering Shim 4 mm Lower Arm Shim 0 mm Wheelbase Shim FF 1 mm FR 1 mm

Shim 0 mm Inserts 8 mm Shim 1 mm

Rear Toe In 3° Rear Tire Additive Area Lower Arm Shim 2 mm Wheelbase Shim RF 2 mm RR 5 mm

Standard Battery
 Short Battery (Forward Position)
 Short Battery (Backward Position)

Suspension Mount Setup

FF FR RF RR

1 Aluminium 0.5 Brass

Mount Spacer 0 mm

1 Aluminium Spilt 0.5 Brass Solid

Mount Spacer 0 mm

1 Aluminium Spilt 0.5 Brass Solid

Mount Spacer 0 mm

1 Aluminium Spilt 0.5 Brass Solid

Mount Spacer 0 mm

Flex Control

Upper Deck Thick 2 mm

Graphite Chassis Aluminum Chassis
 Upper Deck Stiffener (Plastic) Upper Deck Stiffener (Aluminum)

Damper Setup

Foam Insert Hole In Cap

Front Rear

Xpress XP-10170 Pink Spring Xpress XP-10170 Pink

450cst Oil 450cst

50% Rebound 50%

4 Piston 4

10.5mm Length 10.5mm

Transmission Setup

Front Spool Diff. Rear Gear Diff

/ 9 Oil 5000cst / 1.1 9

Bevel Gear _____
 Spur 64 P / 94 T Pinon P / T

Final Drive Ratio _____ : 1

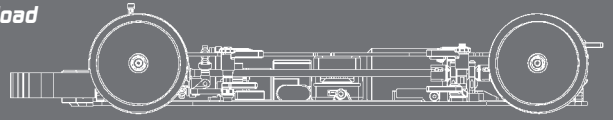
Formula
 Final Drive Ratio = (Spur Pinon x Internal Ratio) / 2.353 : 1

Others

Servo _____ Tires _____
 Esc _____
 Motor _____
 Additive _____
 Body _____
 Rear Wing _____

Remark

Default Set-up



Driver Midnight Boss Track Surface Asphalt Track Temperature _____
 Date 2022 May 09 Track Traction Medium Result _____ Air Temperature 29 °C
 Track Tom Racing Circuit Country Hong Kong Best Lap _____ Humidity _____ Remark _____

Front Suspension Arm C-Hub Steering Block Steering Block N = Normal H = Hard

Shim 1 mm Shim 2 mm Shim 4 mm Shim 5 mm Shim 1 mm Shim 2 mm

5.2 5.0 4.8 4.6 4.4 4.2 4

Camber Link

Item No: XP: 38 mm

5 mm Hex Offset 5 mm
 1 mm Camber 1 mm
 5 mm Ride Height 5.4 mm
 6 mm DownStop 5 mm
 1.3 mm Sway Bar 1.3 mm

Item No: XP: 40 mm

Optional On-Power Control System

Shim mm Shim mm

Shim mm

Shim mm

Hex Offset mm
 Camber mm
 Ride Height mm
 DownStop mm
 Sway Bar mm

Steering Block M H
 Suspension Arm M H

Front Toe Out 1° Front Tire Additive Area Bump Steering Shim 4 mm Shim 1 mm Inserts 8.5 mm Rear Toe In 3° Rear Tire Additive Area

Lower Arm Shim 0 mm Wheelbase Shim FF 1 mm FR 1 mm

Shim 1 mm Lower Arm Shim 2 mm Wheelbase Shim RF 3 mm RR 4 mm

Standard Battery
 Short Battery (Forward Position)
 Short Battery (Backward Position)

Suspension Mount Setup

FF FR RF RR

1 Aluminium 0.5 Brass

Mount Spacer 0 mm

1 Aluminium 0.5 Brass Solid

Mount Spacer 0 mm

1 Aluminium 0.5 Brass Solid

Mount Spacer 0.5 mm

1 Aluminium 0.5 Brass

Mount Spacer 0.5 mm

Flex Control

Upper Deck Thick 2 mm

Graphite Chassis Aluminum Chassis
 Upper Deck Stiffener (Plastic) Upper Deck Stiffener (Aluminum)

Damper Setup

Foam Insert Hole In Cap

Front Rear

Purple TS2.5-3.0 Spring Pink TS3.2
 400cst Oil 400cst
 100% Rebound 100%
 4 Piston 4
 10.3mm Length 10.3mm

Transmission Setup

Front Spool Diff. Rear Gear Diff

/ 9 Oil 1500cst / 9

Bevel Gear
 Spur 64 P/ 94 T Pinion 64 P/ 32 T
 Final Drive Ratio 6.90 : 1

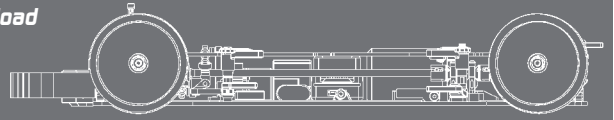
Formula
 Final Drive Ratio = (Spur / Pinion x Internal Ratio) : 1
 = (64 / 32 x 2.353) : 1

Others

Servo Sanwa Tires Xpress 40x
 Esc Orca OE1
 Motor Orca 5.0T
 Additive Yellow V3
 Body Xtreme MTB0413
 Rear Wing Xtreme

Remark

- RF & RR Suspension Mount +0.5mm Shim
 - Remove F&R Shock Tower Bottom M3x6mm Screws
 Easy to Drive !



Driver Eric Lam Track Surface Asphalt Track Temperature _____
 Date 2021 Dec 19 (HKRCSA 2021) Track Traction Medium Result TQ+A2 Air Temperature 20 °C
 Track Tom Racing Circuit Country Hong Kong Best Lap 15.624 Humidity _____ Remark _____

Front Suspension Arm C-Hub Steering Block Steering Block N = Normal H = Hard

Shim 1.5 mm Shim 2 mm Shim 2 mm Shim 1.5 mm Shim 2 mm

5.2 5.0 4.8 4.6 4.4 4.2 4

Camber Link

Item No: XP: 42 mm

4.25 mm Hex Offset 4.5 mm
 1.5 Camber 0.5
 5.2 mm Ride Height 6.4 mm
 6 mm DownStop 4.6 mm
 1.3 mm Sway Bar 1.3 mm

Item No: XP: 46 mm

Optional On-Power Control System

Shim mm Shim mm

Shim mm

Shim mm

Hex Offset mm
 Camber mm
 Ride Height mm
 DownStop mm
 Sway Bar mm

Steering Block M H
 Suspension Arm M H

Front Toe Out 1.5° Front Tire Additive Area Bump Steering Shim 4 mm

Lower Arm Shim 0 mm Inserts 9 mm Shim 0 mm Shim 1 mm

Wheelbase Shim FF 1 mm FR 1 mm

Rear Toe In 2° Rear Tire Additive Area Lower Arm Shim 2 mm

Wheelbase Shim RF 2 mm RR 5 mm

Standard Battery
 Short Battery (Forward Position)
 Short Battery (Backward Position)

Suspension Mount Setup

FF FR RF RR

Aluminium Spill Aluminium Spill Aluminium Spill Aluminium Spill

0.5 Brass Solid 0.5 Brass Solid 0.5 Brass Solid 0.5 Brass Solid

Mount Spacer 0 mm Mount Spacer 0 mm Mount Spacer 1.5 mm Mount Spacer 1.5 mm

Flex Control

Upper Deck Thick 2 mm

Graphite Chassis Aluminum Chassis
 Upper Deck Stiffener (Plastic) Upper Deck Stiffener (Aluminum)

Damper Setup

Foam Insert Hole In Cap Front Rear

6.75T Spring C 2.8
 350cst Oil 400cst
 0 Rebound 0
 4 Piston 4
 10.5mm Length 10.5mm

Transmission Setup

Front Gear Diff. Rear Gear Diff.

500k cst / 1 g Oil 1500cst / 1 g

Bevel Gear _____
 Spur 64 P / 90 T Pinon 64 P / 47 T

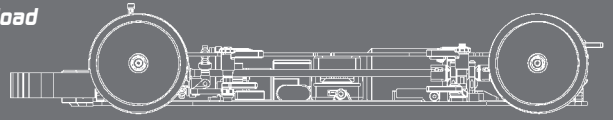
Final Drive Ratio 4.50 : 1

Formula
 Final Drive Ratio = (Spur Pinon x Internal Ratio) : 1

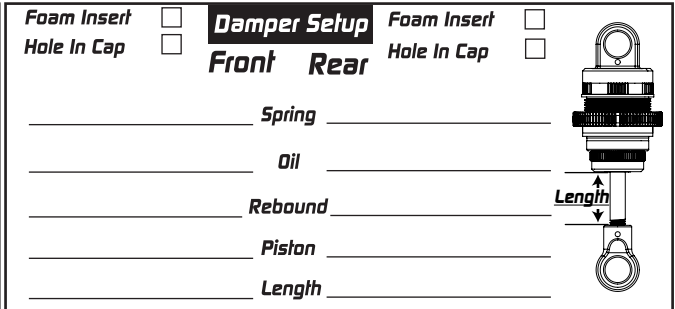
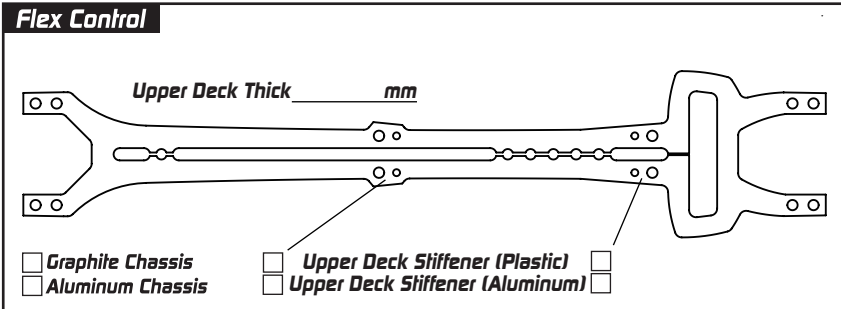
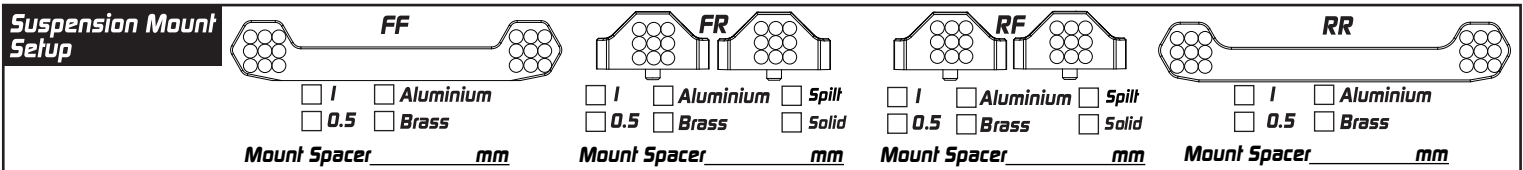
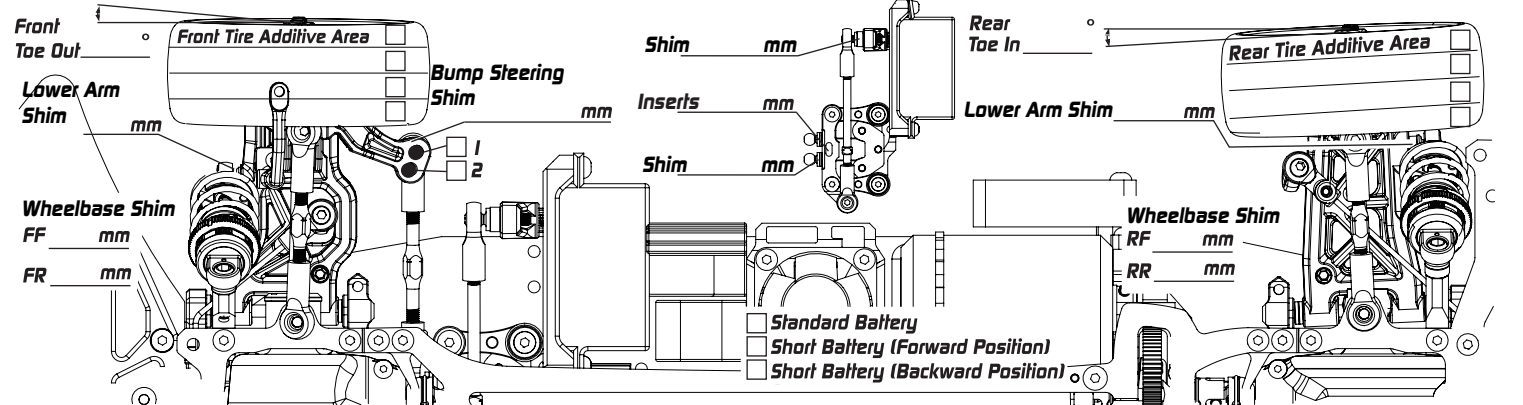
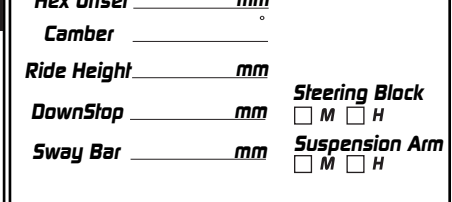
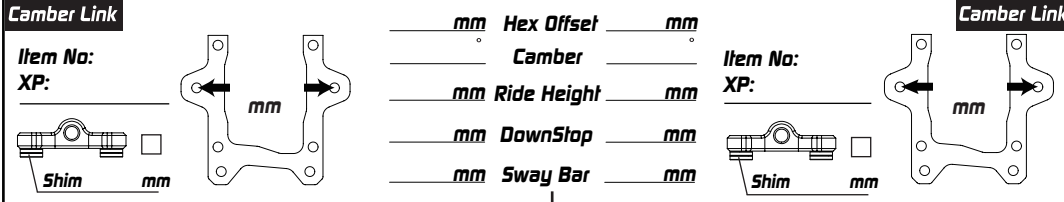
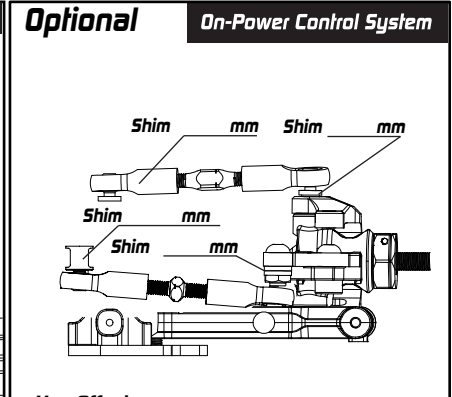
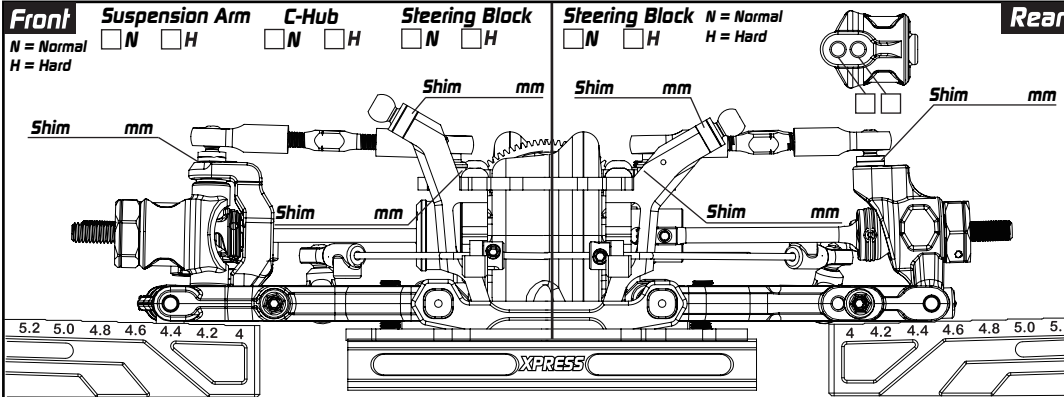
Others

Servo Sanwa Tires Xpress 40X
 Esc Orca Blinky Pro
 Motor Orca 13.5T
 Additive RED SPIDER GRIP
 Body Xtreme MTB0418
 Rear Wing STD

Remark



Driver _____ Track Surface _____ Track Temperature _____
 Date _____ Track Traction _____ Result _____ Air Temperature _____
 Track _____ Country _____ Best Lap _____ Humidity _____ Remark _____



Transmission Setup

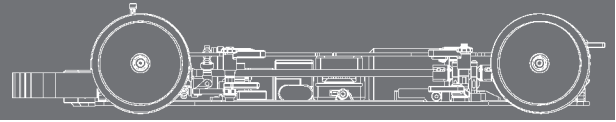
Front _____ Rear _____
 Diff. _____ / 9 Oil _____ / 9
 Bevel Gear _____
 Spur P/ T Pinon P/ T
 Final Drive Ratio _____ : 1

Formula
 Final Drive Ratio = $\left(\frac{\text{Spur Pinon}}{\text{Internal Ratio}} \times 2.353\right) : 1$

Others

Servo _____ Tires _____
 Esc _____
 Motor _____
 Additive _____
 Body _____
 Rear Wing _____

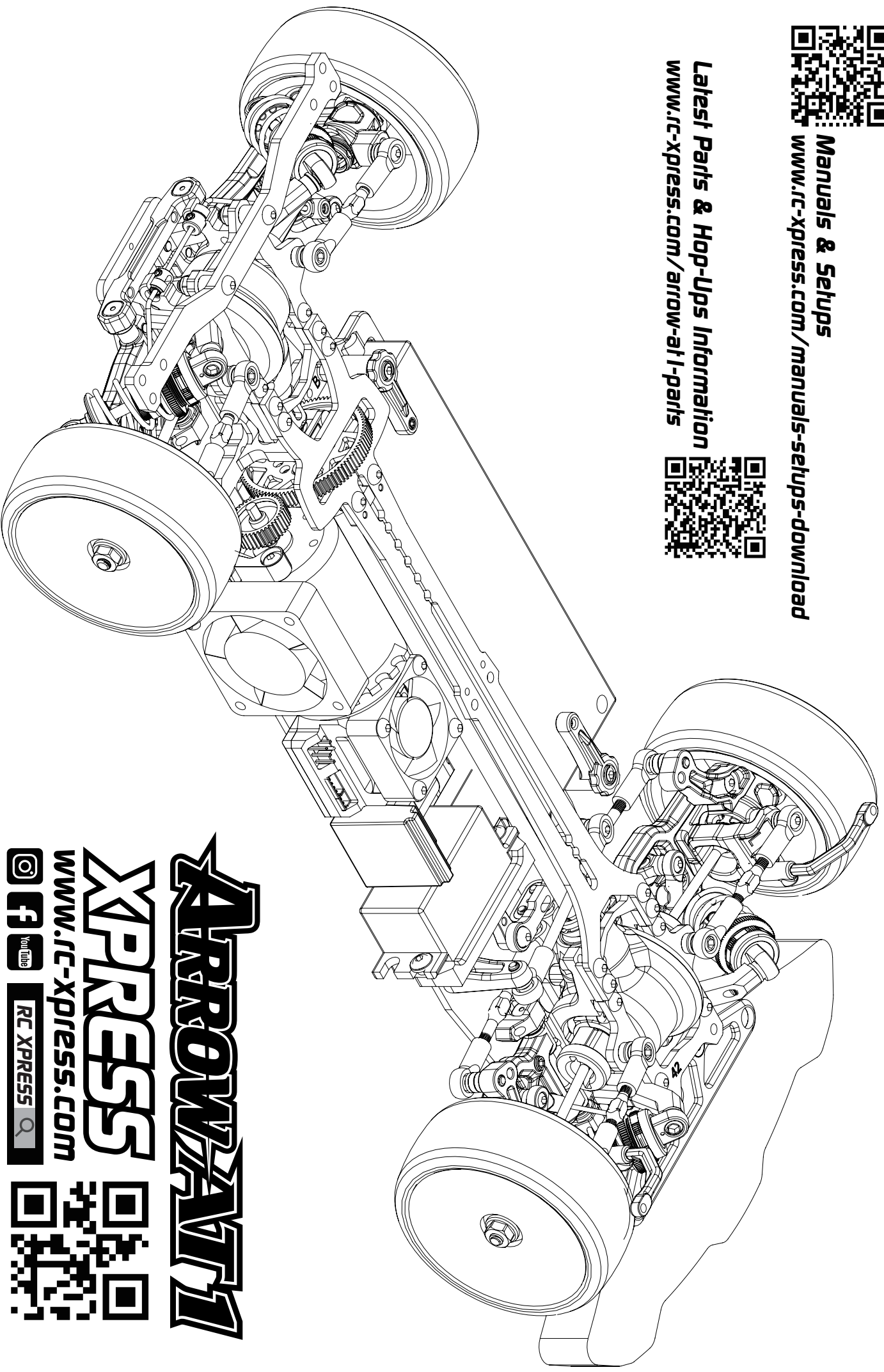
Remark





Manuals & Setups
www.rc-xpress.com/manuals-setups-download

Latest Parts & Hop-Ups Information
www.rc-xpress.com/arrow-ai-1-parts



ARROW

XPRESS

www.rc-xpress.com



RC XPRESS



2022.07