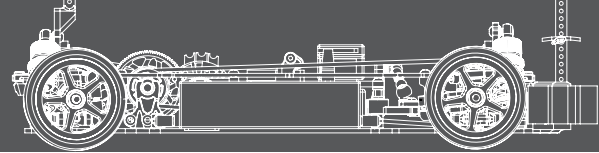


EXECUTE

1/10 COMPETITION MINI TOURING CAR

XM1S

INSTRUCTION MANUAL



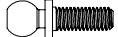
Bag A, HW A,B,K



Turnbuckle M3 x 29mm
XP-10156



Turnbuckle M3 x 18mm
XP-10157



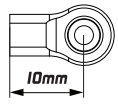
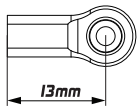
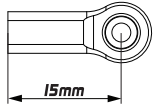
4.8mm Ball End 8mm Thread
XP-10150



4.8mm Ball End 6mm Thread
XP-10149



4.8mm Ball End 5mm Thread
XP-10148



4.7mm Ball End Set
XP-10002

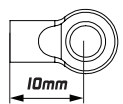
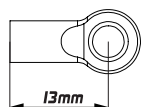
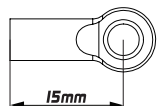


Stabilizer Connector
XP-10326



Hex Set Screw M3 x 8mm
XP-40054

Optional

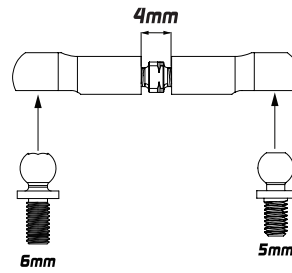


Low Profile Ball End Set
XP-10254

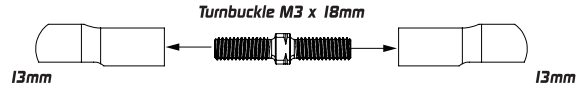
2X



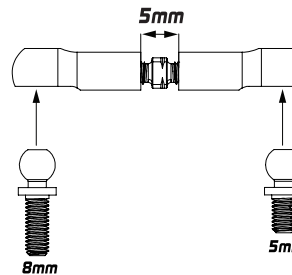
For Rear Camber Link



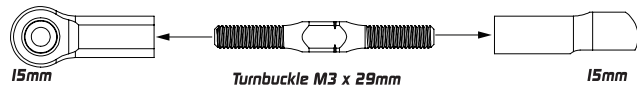
2X



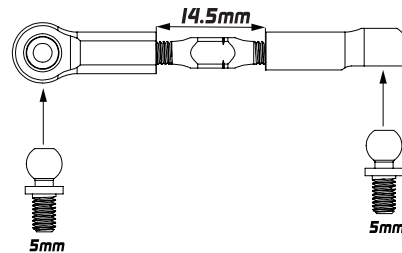
For Front Camber Link



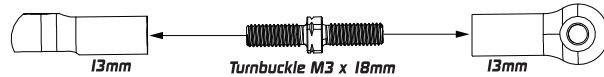
2X



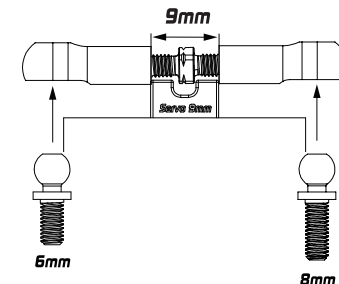
For Steering



1X

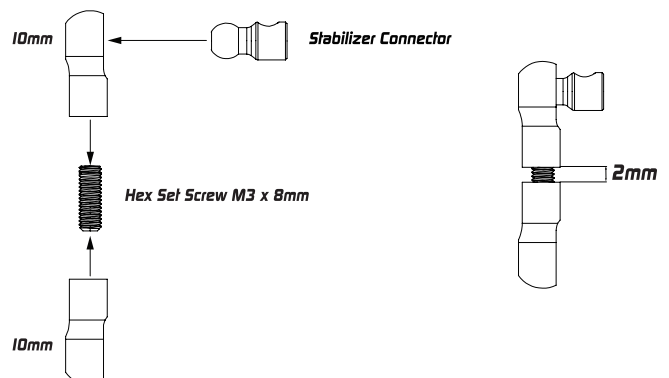


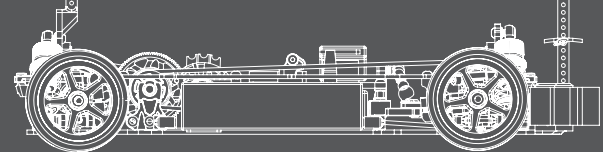
For Servo



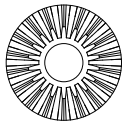
4X

For Swaybar





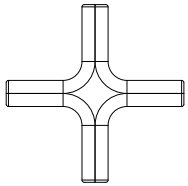
Bag B , Bag C , HW H , HW J



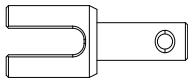
Bevel Gears 18T
XP-10009



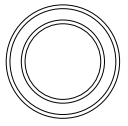
Bevel Gears 10T
XP-10009



Gear Diff Cross Pin
XP-10009



Steel Gear Diff Outdrive Adapter
XP-10288



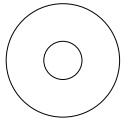
Bearing 10 x 15 x 4mm
XP-40065



O-ring 5 x 2mm
XP-10184



Pin 2 x 9.8mm
XP-40069



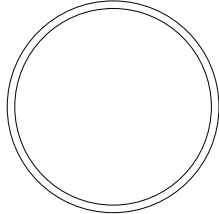
Spacer 5 x 15 x 0.4mm
XP-10181



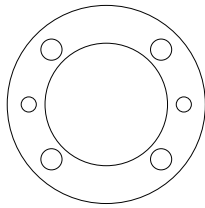
Spacer 3.6 x 9.5 x 0.2mm
XP-10182



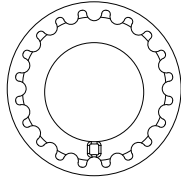
Flat Head Screw M2.5 x 10mm
XP-40044



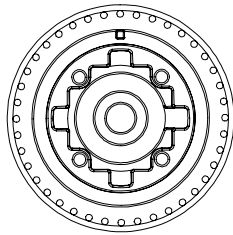
O-ring 25 x 1mm
XP-10183



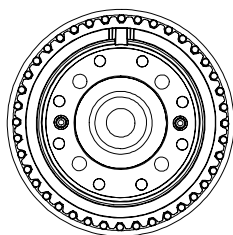
Diff Gasket
XP-10179



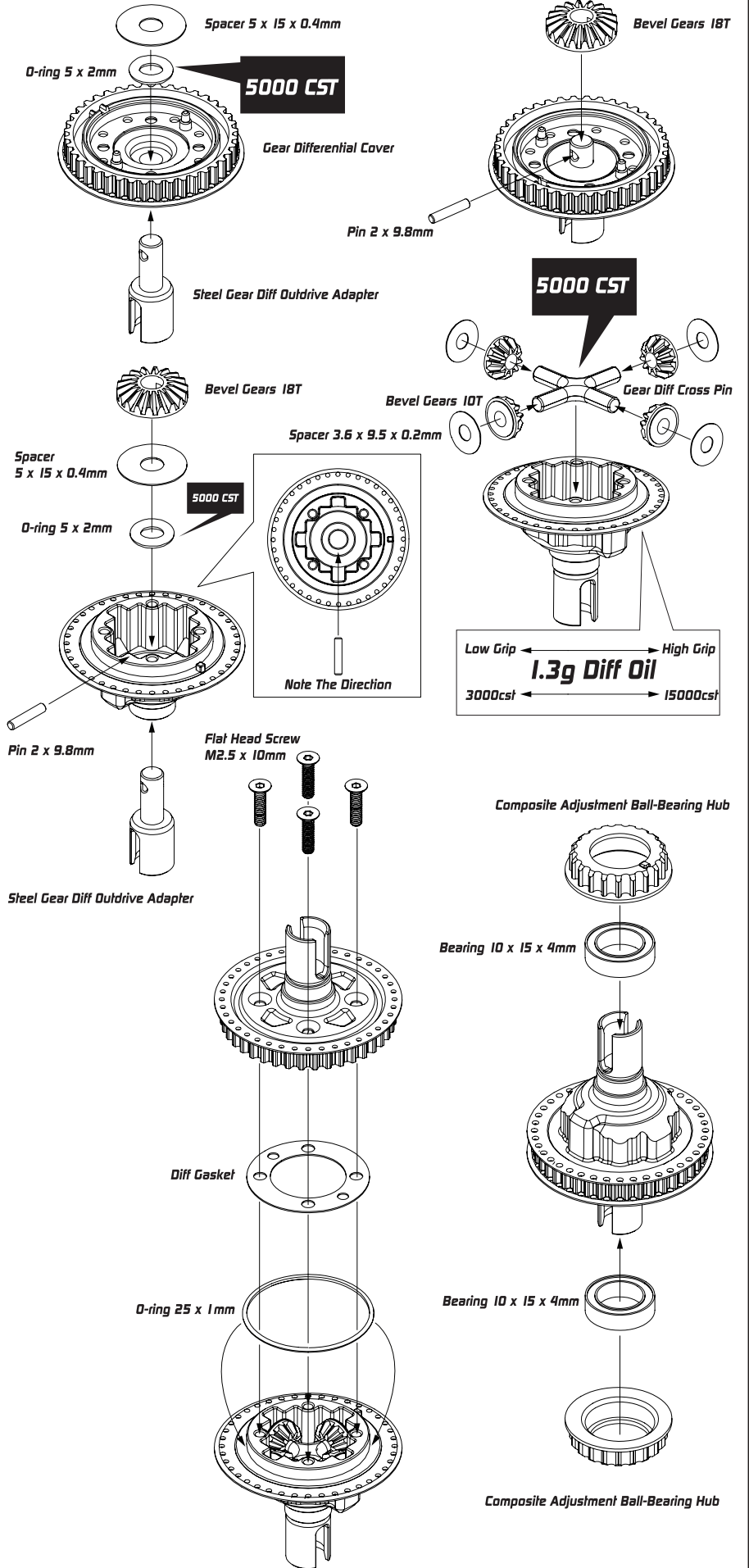
Composite Adjustment
Ball-Bearing Hub
XP-10107

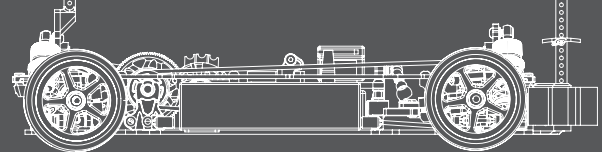


Gear Differential Case
XP-10008

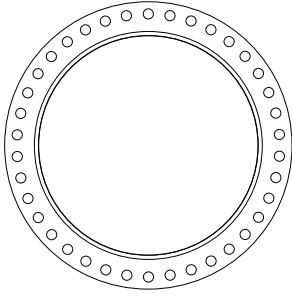
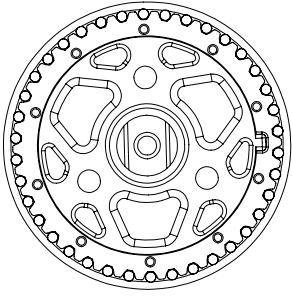


Gear Differential Cover
XP-10008

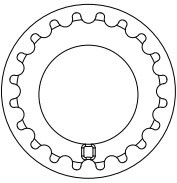




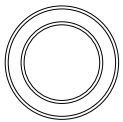
Bag C, HW H



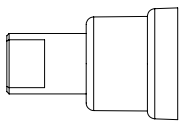
Composite 3BT Spool Set
XP-10264



Composite Adjustment Ball-Bearing Hub
XP-10107



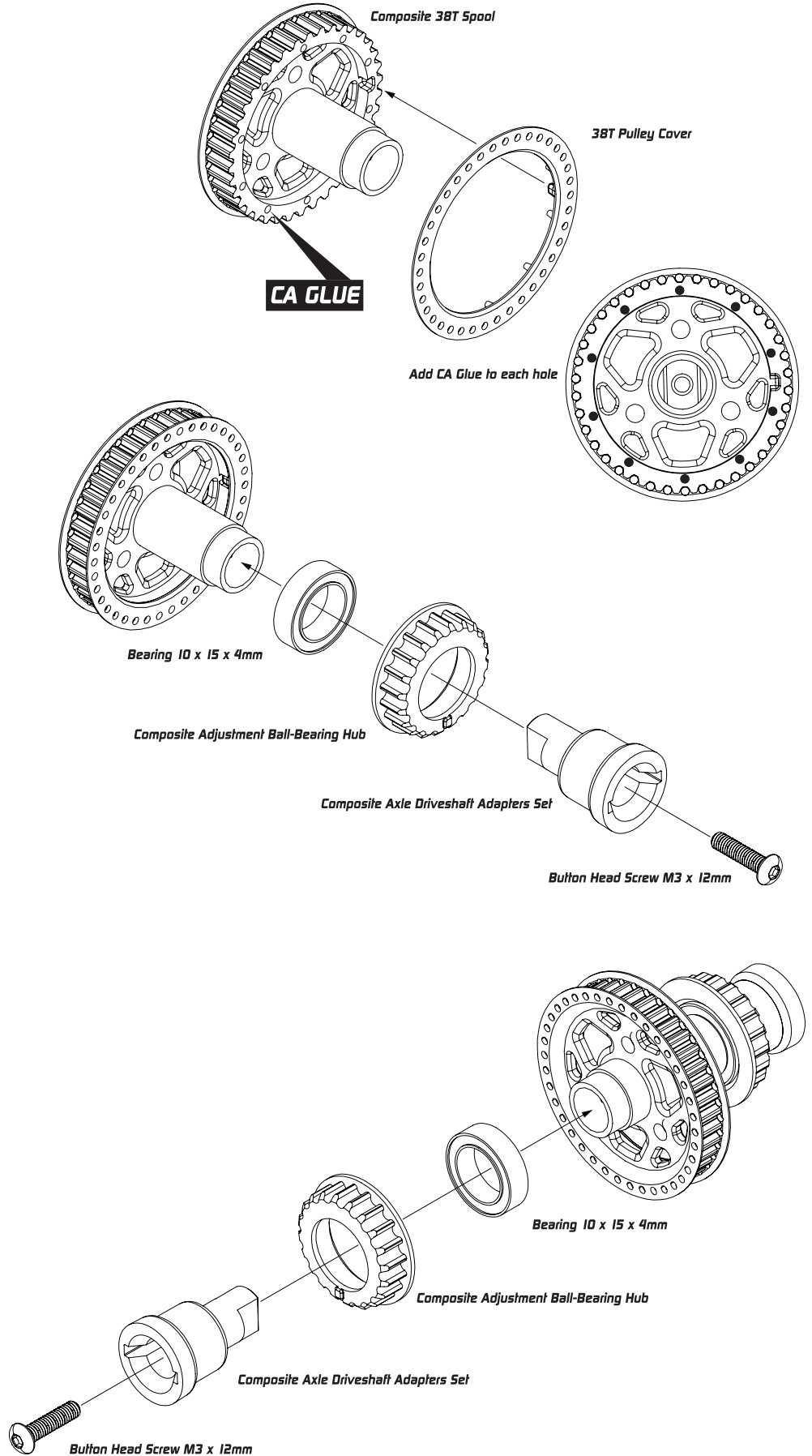
Bearing 10 x 15 x 4mm
XP-40065

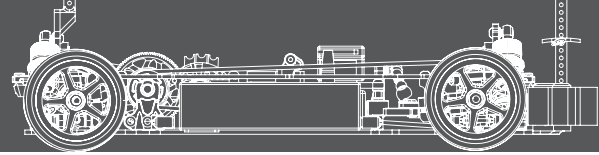


Composite Axle Driveshaft Adapters Set
XP-10264

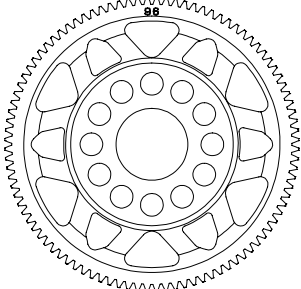


Button Head Screw M3 x 12mm
XP-40040

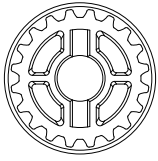




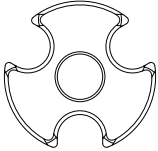
Bag D



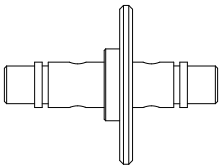
Spur Gear 64P 96T
XP-40082



20T Center Pulley
XP-10134



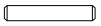
Center Pulley Cover
XP-10134



XQ I-5 Aluminium Solid Layshaft
XP-10284



Bulfin Head Screw M3 x 4mm
XP-40036

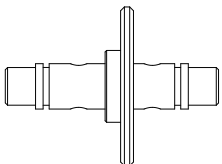


Pin 2 x 12mm
XP-40070

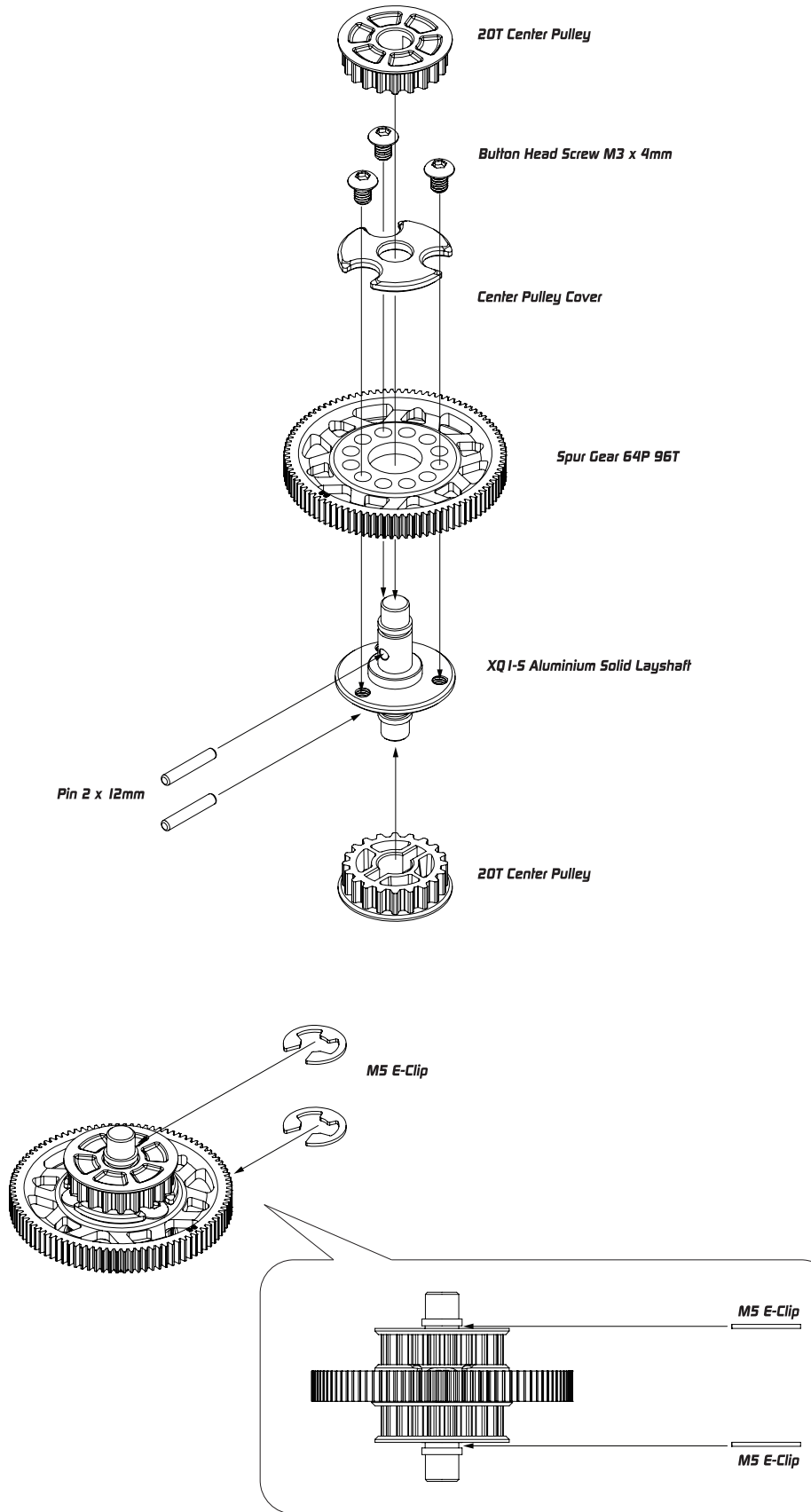


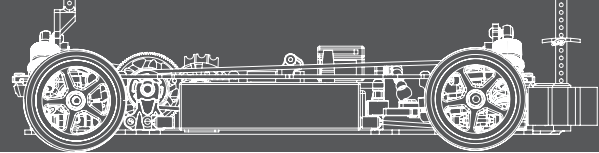
M5 E-Clip
XP-40058

Optional

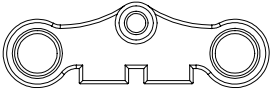


Alu Solid Layshaft
XP-10175



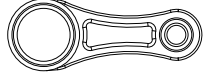


Bag F, G, K, L, HW H, K



Option: XP-10113

Composite Steering Plate For Dual Servo Saver XP-10261



Option: XP-10111

Composite Dual Servo Saver Arm XP-10261



Bearing 5 x 8 x 2.5mm XP-40061



Bearing 3 x 6 x 2.5mm XP-40060



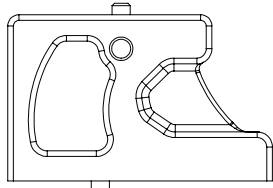
3 x 6 x 1mm Composite Spacer XP-10261



Round Head Screw M3 x 8mm XP-40038

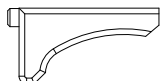


Bulfin Head Screw M3 x 6mm XP-40037

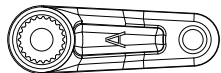


Option: XP-10136

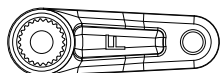
Composite Servo Mount XP-10261



Composite Servo Side Mount XP-10261

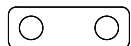


Servo Horn 23T for Sanwa, KD XP-10163

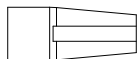


FRP Floating Servo Holder 3.0mm XP-10263 Option: XP-10137

Servo Horn 25T for Fulaba XP-10163



Servo Spacer XP-10136



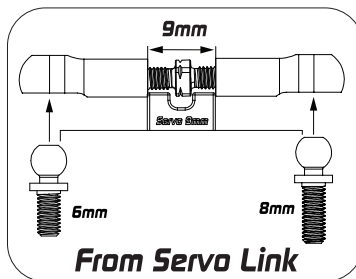
Antenna Holder XP-10001



Flat Head Screw M3 x 10mm XP-40049

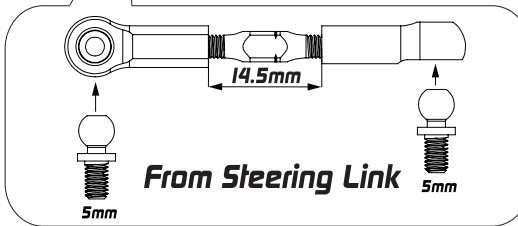


Flat Head Screw M3 x 6mm XP-40046

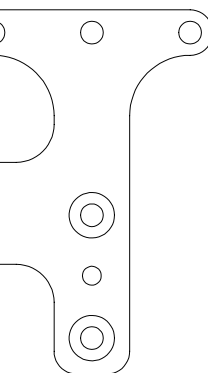


Bearing 3 x 6 x 2.5mm 4.8mm Ball End 6mm Thread

Bearing 3 x 6 x 2.5mm



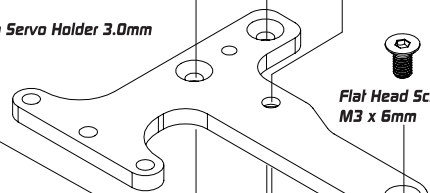
Flat Head Screw M3 x 10mm



Battery Stopper

FRP Floating Servo Holder 3.0mm

Flat Head Screw M3 x 6mm



Antenna Holder

Flat Head Screw M3 x 6mm

Bearing 5 x 8 x 2.5mm

Composite Dual Servo Saver Arm

Composite Dual Servo Saver Arm

Bulfin Head Screw M3 x 6mm

Bearing 5 x 8 x 2.5mm

Bulfin Head Screw M3 x 6mm

Round Head Screw M3 x 8mm

3 x 6 x 1mm Composite Spacer

4.8mm Ball End 8mm Thread

Round Head Screw M3 x 8mm

Servo Horn

Composite Servo Mount

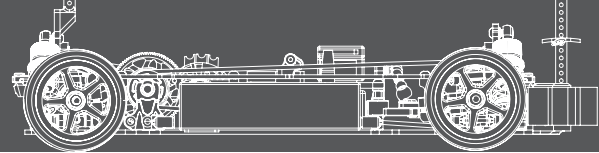
Servo Spacer

No Electronics are included

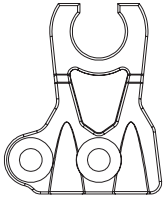
Servo Spacer

Flat Head Screw M3 x 6mm

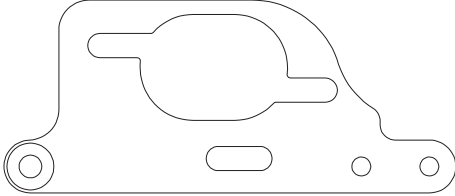
Flat Head Screw M3 x 6mm



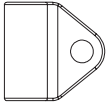
Bag E, G, HW C, E, H, K



Composite Layshaft Bulkhead
XP-10116



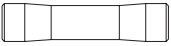
Alu Motor Mount Plate
XP-10232



Alu Motor Mount Center Support
XP-10232



3 x 6 x 1 mm Composite Spacer
XP-10261



XQ15 Aluminum Center Post
XP-10259



Bolt Head Screw M3 x 6mm
XP-40037



Flat Head Screw M3 x 12mm
XP-40050



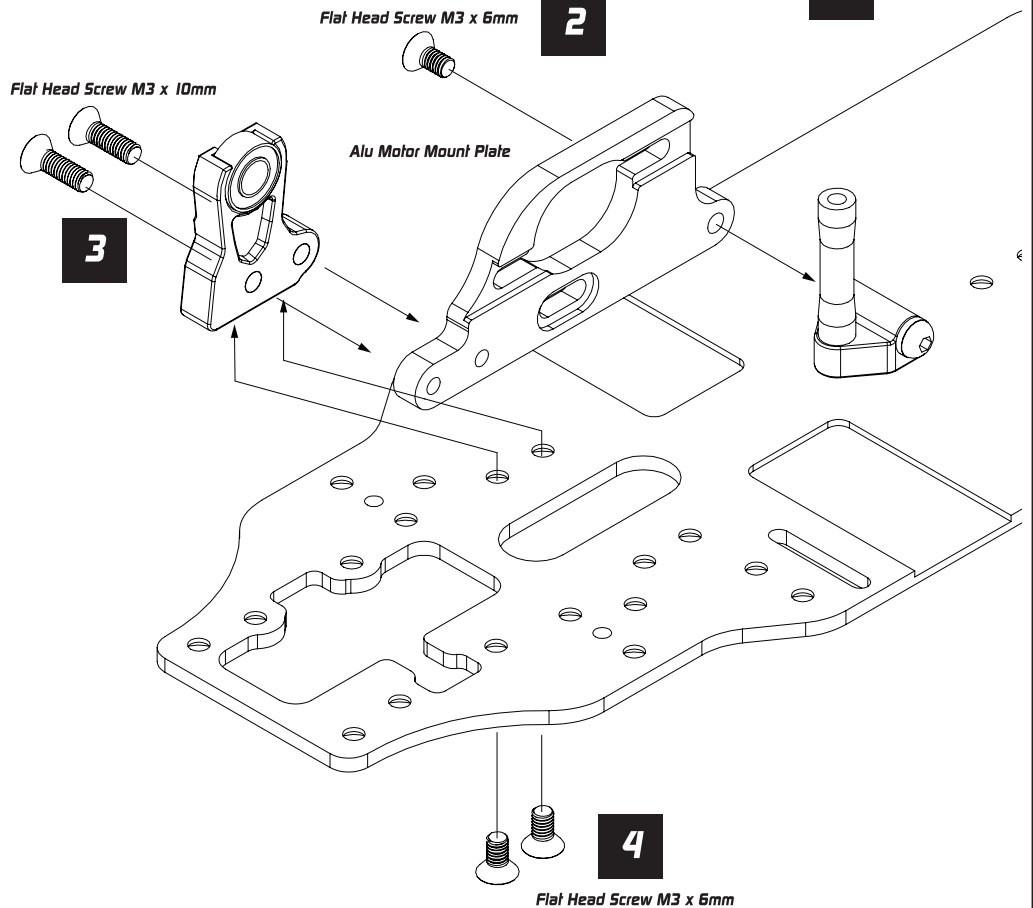
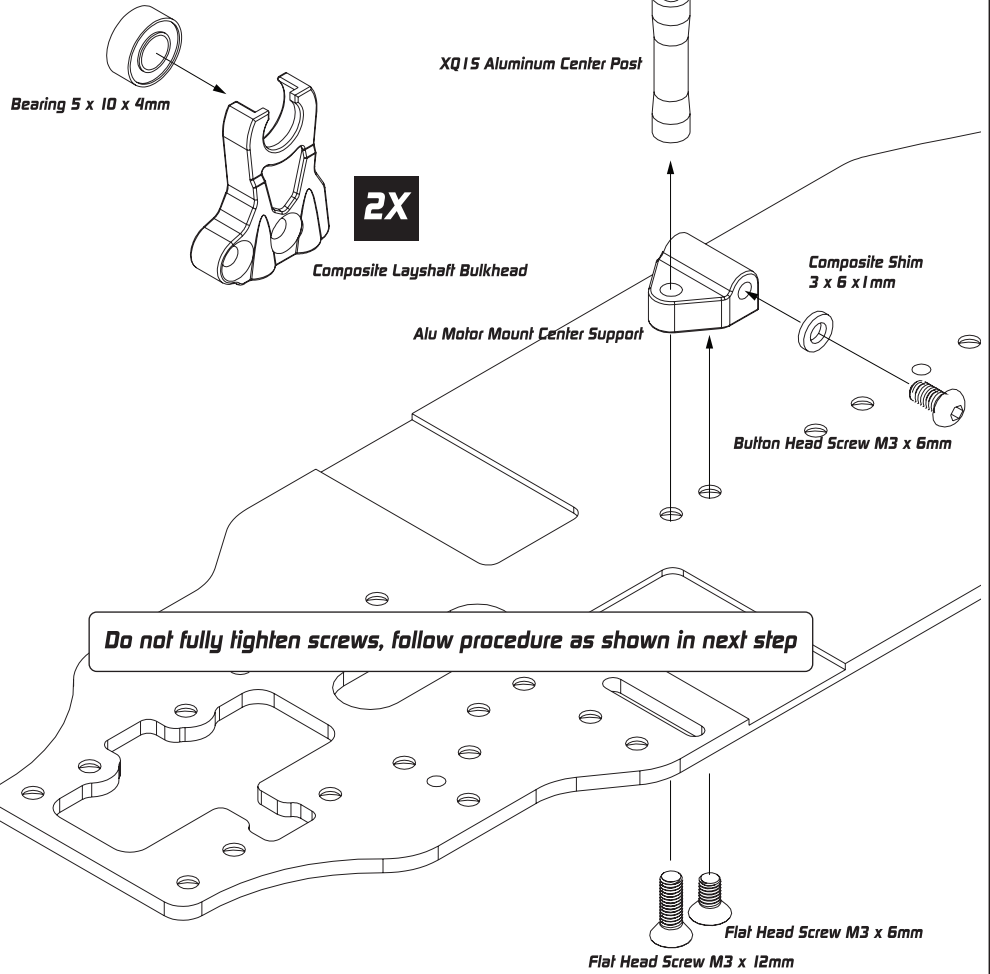
Flat Head Screw M3 x 10mm
XP-40049

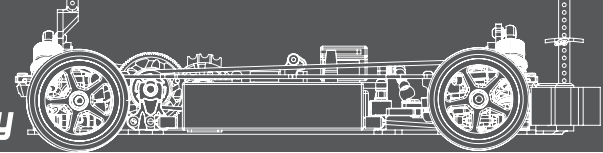


Flat Head Screw M3 x 6mm
XP-40046

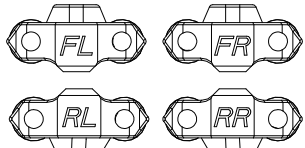


Bearing 5 x 10 x 4mm
XP-40064

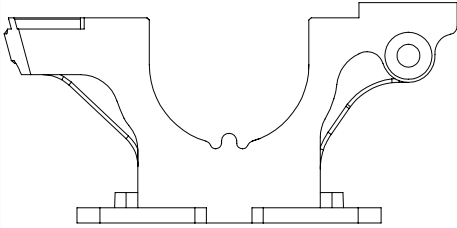




Bag I, F, HW K



Composite Lower 2-Piece Suspension Holder FL,FR,RL,RR
XP-10260



Composite Lower Bulkhead
XP-10229

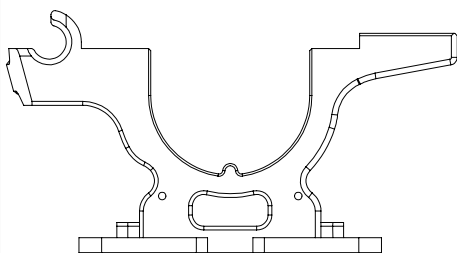
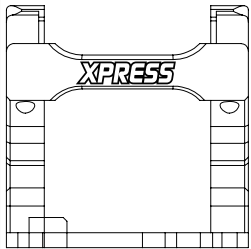


Flat Head Screw M3 x 8mm
XP-40048



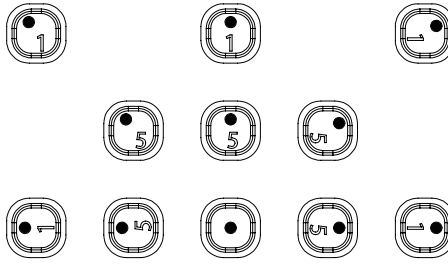
Flat Head Screw M3 x 6mm
XP-40046

Optional



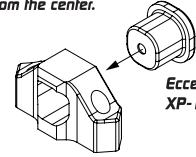
Alu Lower Bulkhead
XP-10115

Optional



Diagonal Offset
Use either 0.5 or 1 mm to shift the roll center in a diagonal direction from the center.

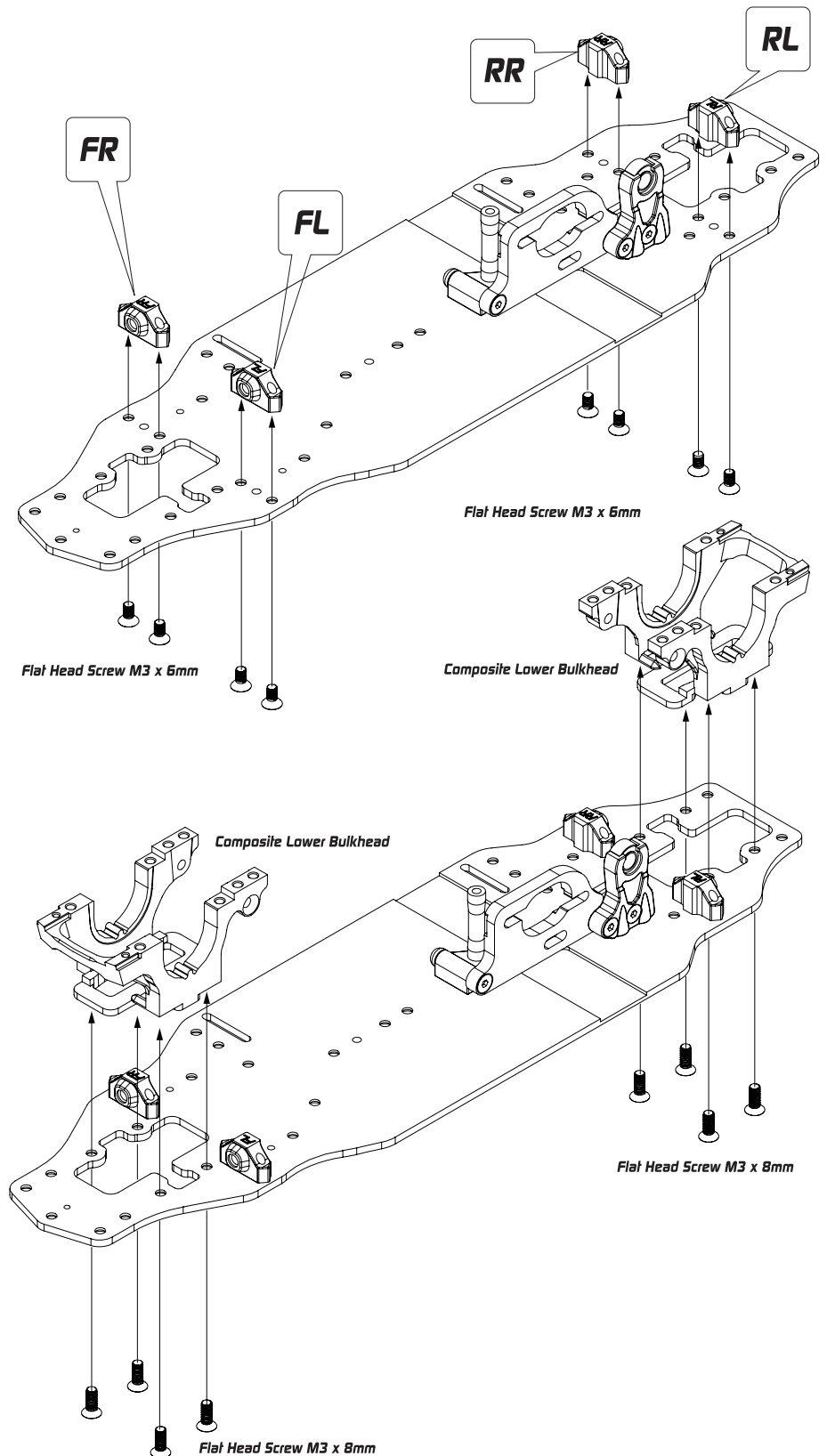
4X

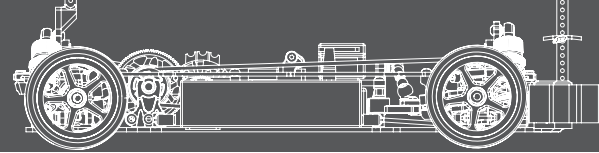


Eccentric Bushing Set
XP-10127

Alu Lower 2-Piece Suspension Holder XP-10123

Horizontal Offset
Choice of either 0.5 or 1 mm offset from center





Bag E , K , FRP , HW D , E ,K



Belt Tensioner
XP-10163



Bearing 3 x 6 x 2.5mm
XP-40060



Spacer 3 x 5 x 0.2mm
XP-40066



Round Head Screw M3 x 16mm
XP-40041



Button Head Screw M3 x 6mm
XP-40037



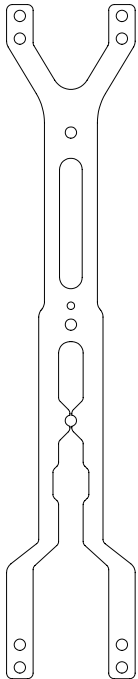
Flat Head Screw M3 x 8mm
XP-40048



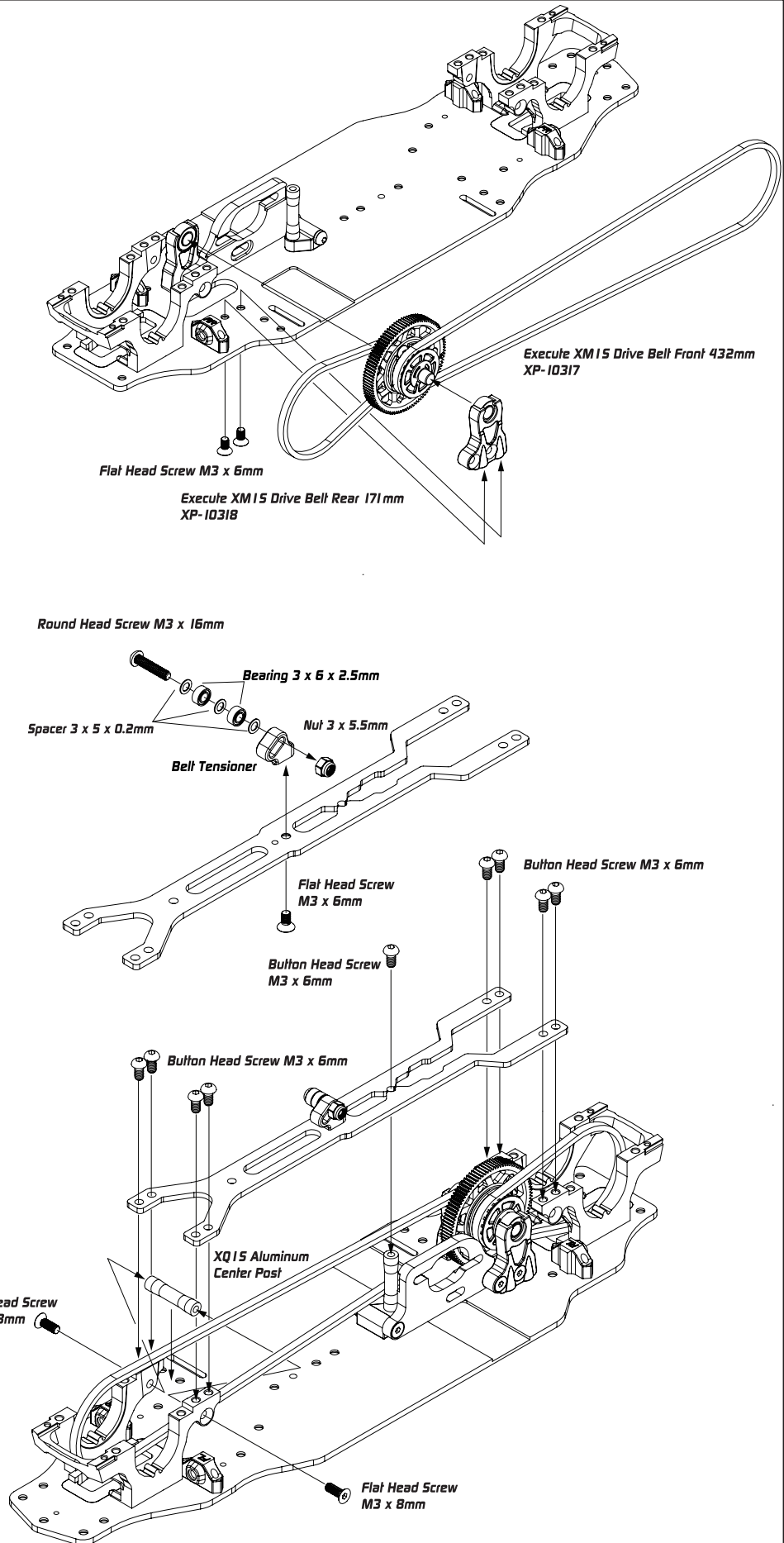
Flat Head Screw M3 x 6mm
XP-40046

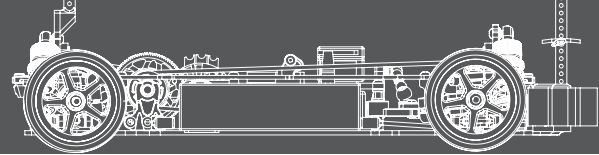


Nut 3 x 5.5mm
XP-40067

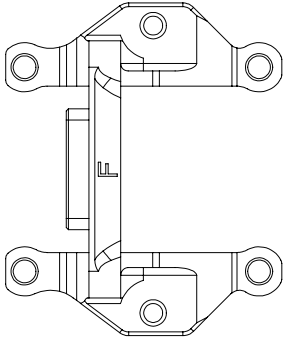


XM15 Top Deck
XP-10272

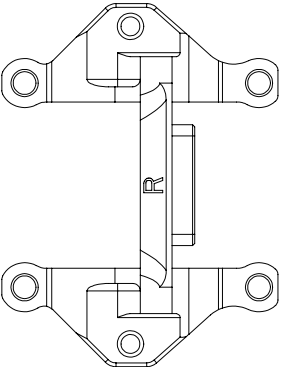




Bag H , HW K



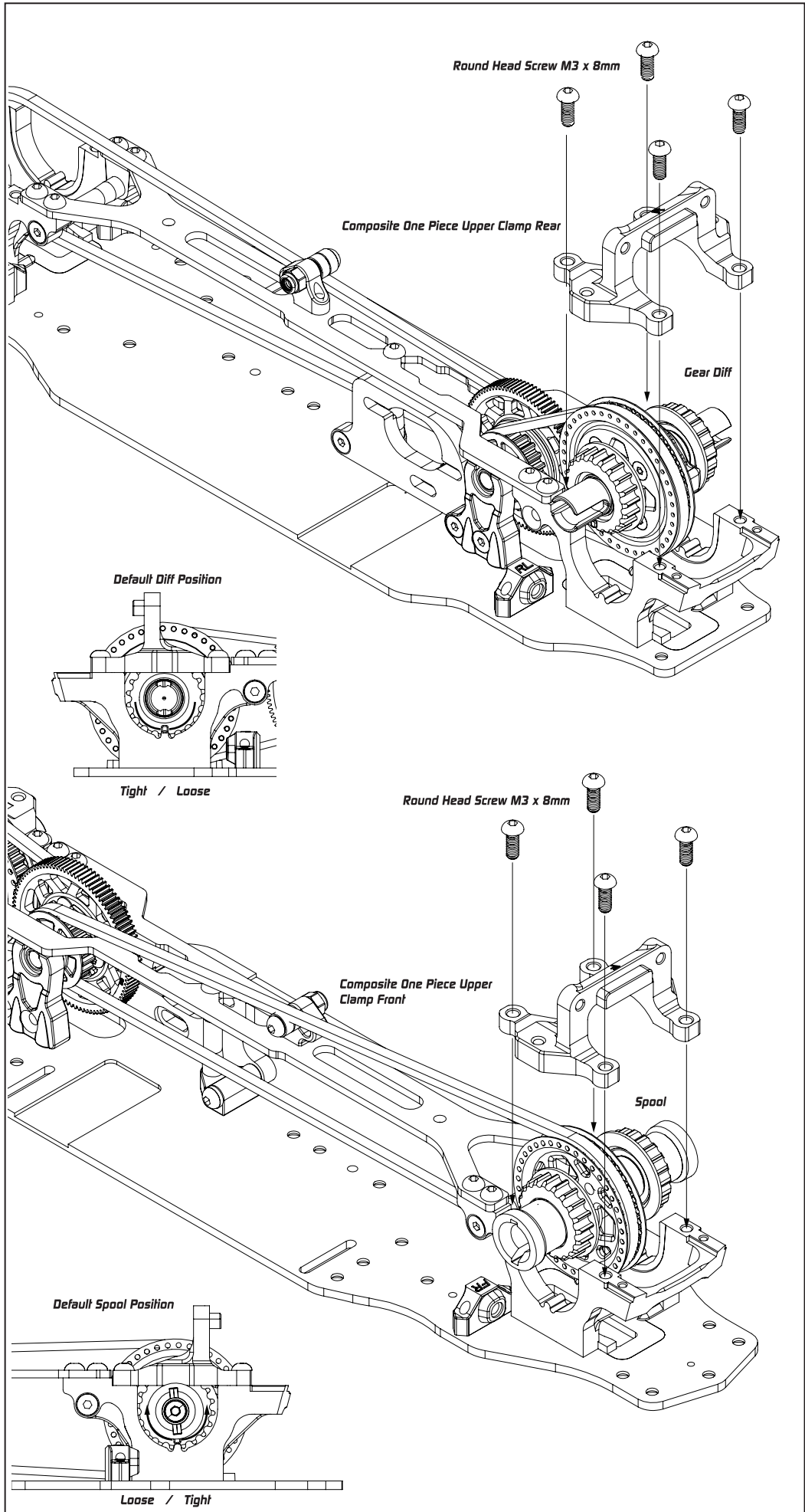
Composite One Piece Upper Clamp Front
XP-10230

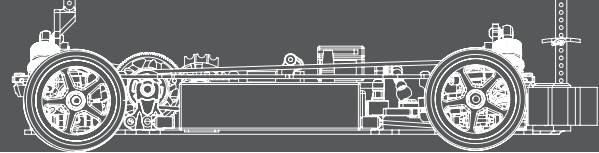


Composite One Piece Upper Clamp Rear
XP-10230

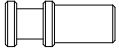


Round Head Screw M3 x 8mm
XP-40038





Bag F, HW K



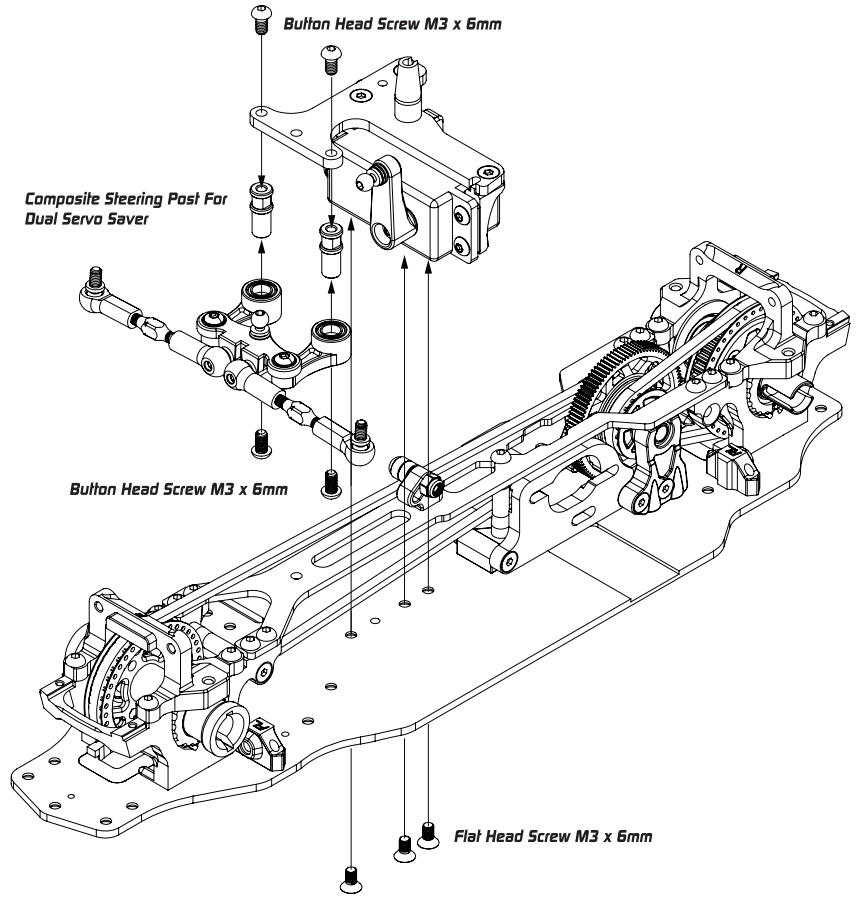
Composite Steering Post For Dual Servo Saver
XP-10261



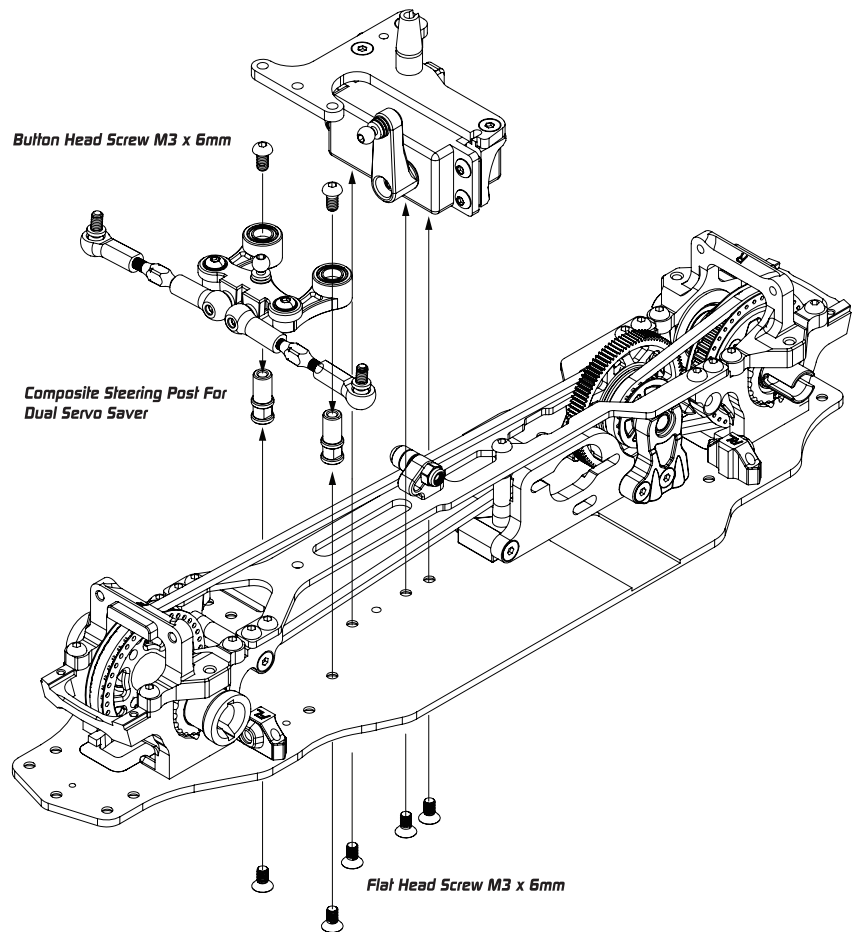
Flat Head Screw M3 x 6mm
XP-40046



Button Head Screw M3 x 6mm
XP-40037



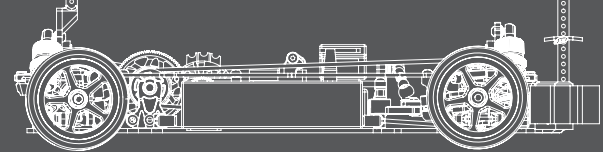
Non-Floating Steering (Optional)



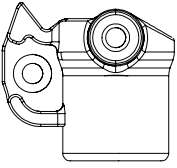
Optional



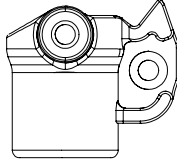
XQ1 Aluminium Steering Post For Dual Servo Saver
XP-10112



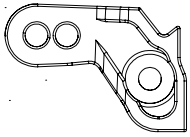
Bag E, J, HW F, H, I, K



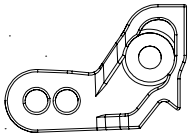
XM1 Composite Steering Block Right
XP-10277



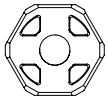
XM1 Composite Steering Block Left
XP-10277



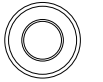
XM1 Composite Steering Block Plate Right
XP-10277



XM1 Composite Steering Block Plate Left
XP-10277



Composite Wheel Hub
XP-10262



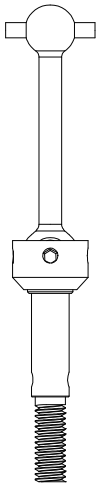
Bearing 5 x 10 x 4mm
XP-40064



Pin 2 x 9.8mm
XP-40069

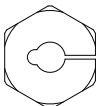


Round Head Screw M3 x 8mm
XP-40038

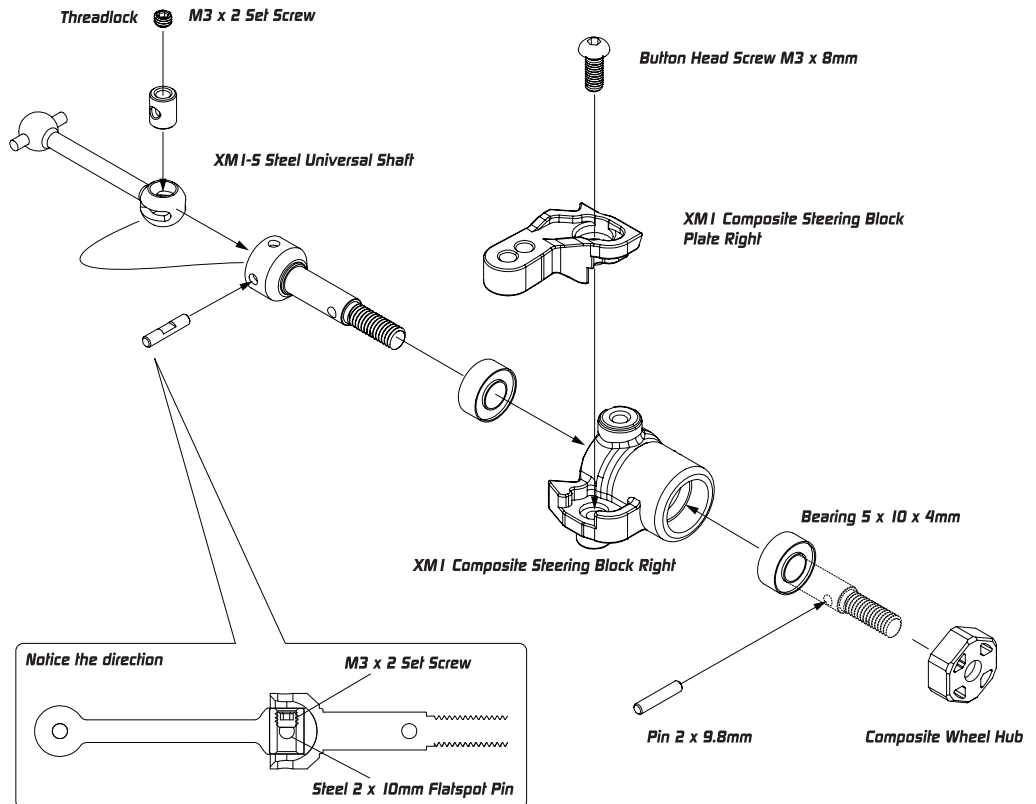
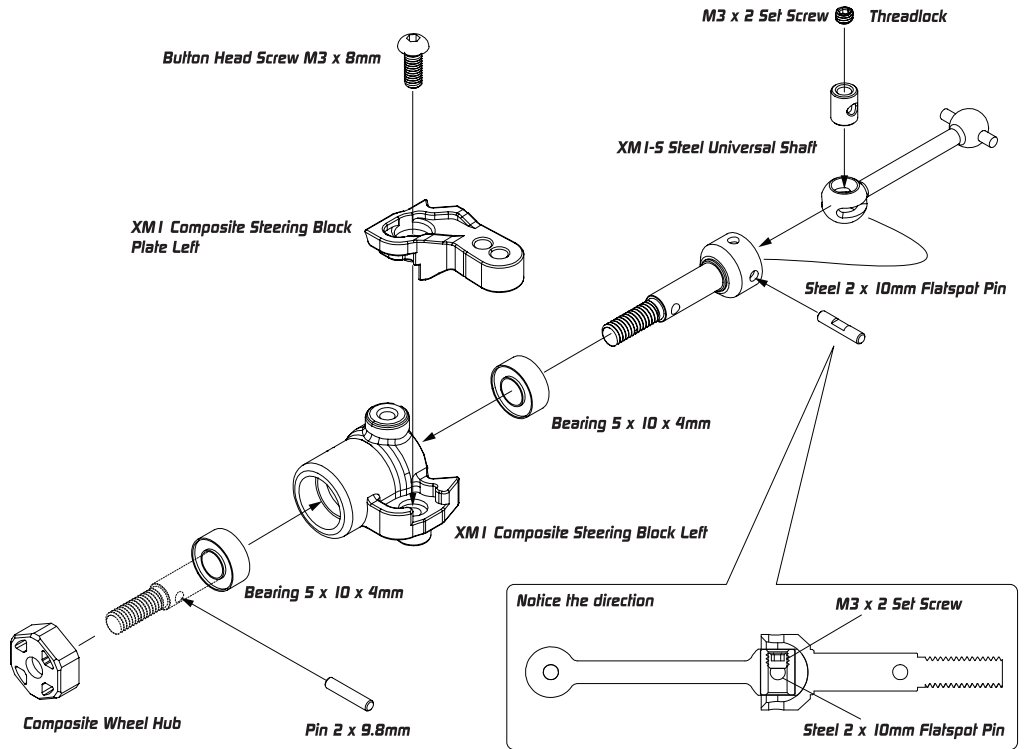


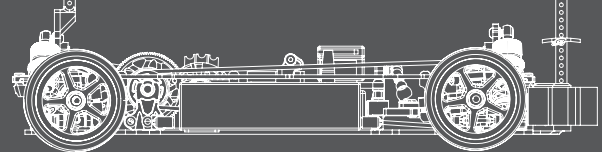
Execute XM15 Steel Universal Shaft
XP-10313

Optional

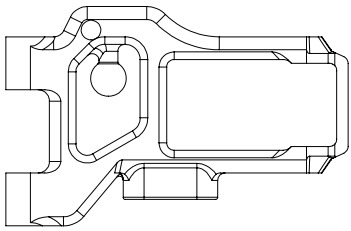


Alu Wheel Hub
XP-10129

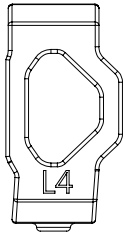




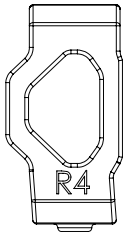
Bag J, L, HW I, K



XM1 Composite Suspension Arm Front
XP-10276



XM1 Composite C-Hub - 4° deg Left
XP-10278



XM1 Composite C-Hub - 4° deg Right
XP-10278



Suspension Pivot Pin 3 x 42mm
XP-10139



3x18mm C Hub Upright Pivot Pin
XP-10140



Hex Set Screw M3 x 4mm
XP-40053



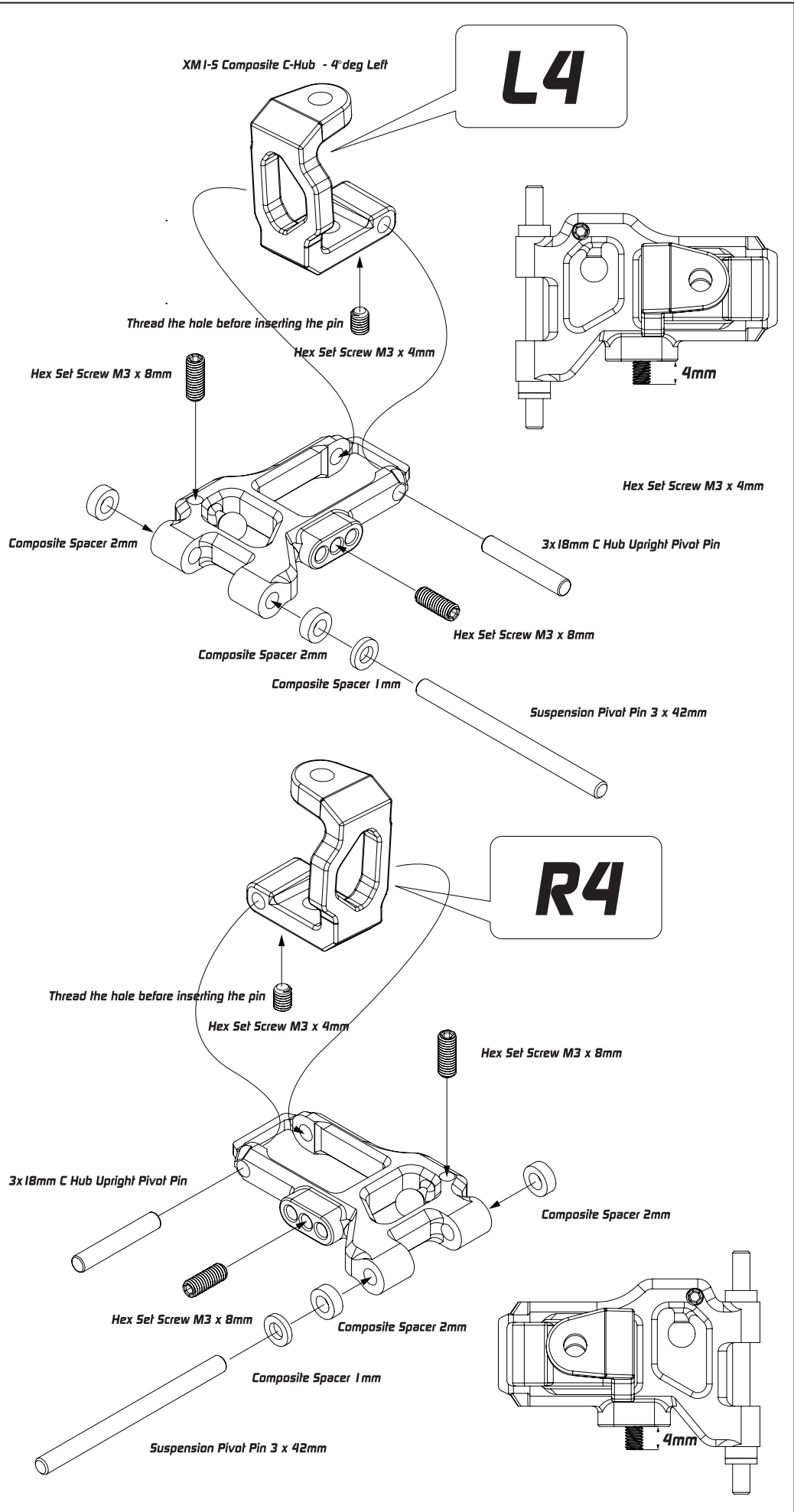
Hex Set Screw M3 x 8mm
XP-40054

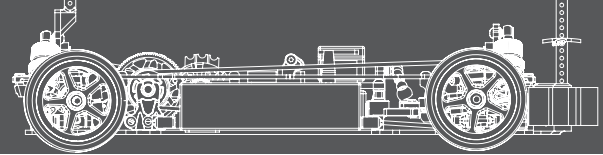


Composite Spacer 1mm
XP-10261



Composite Spacer 2mm
XP-10278

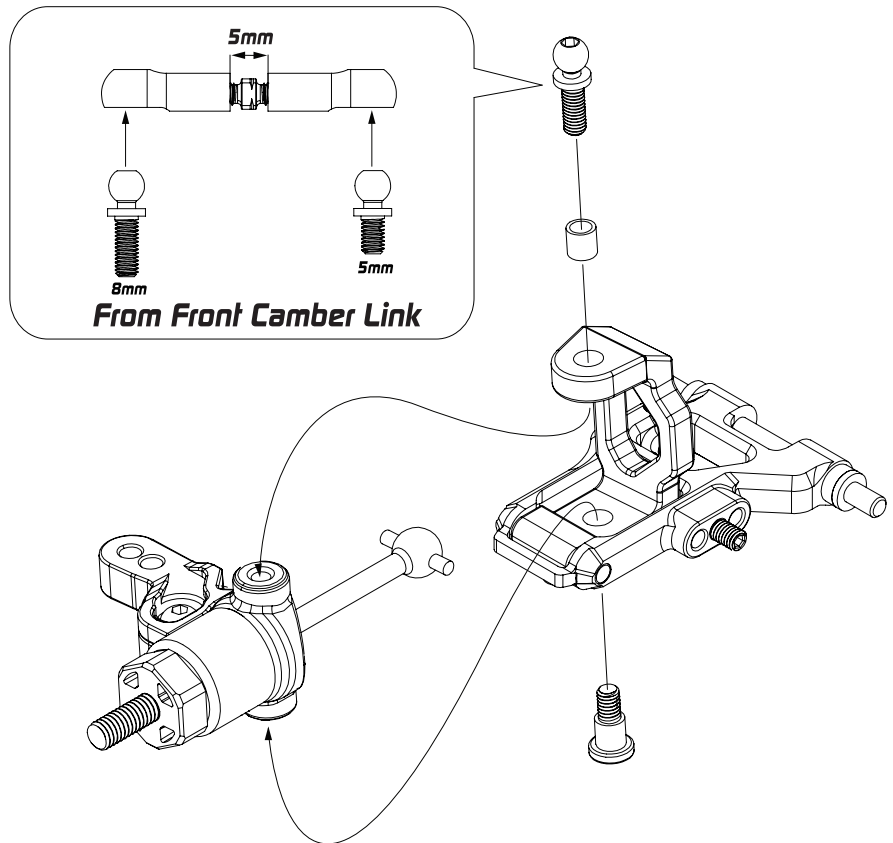
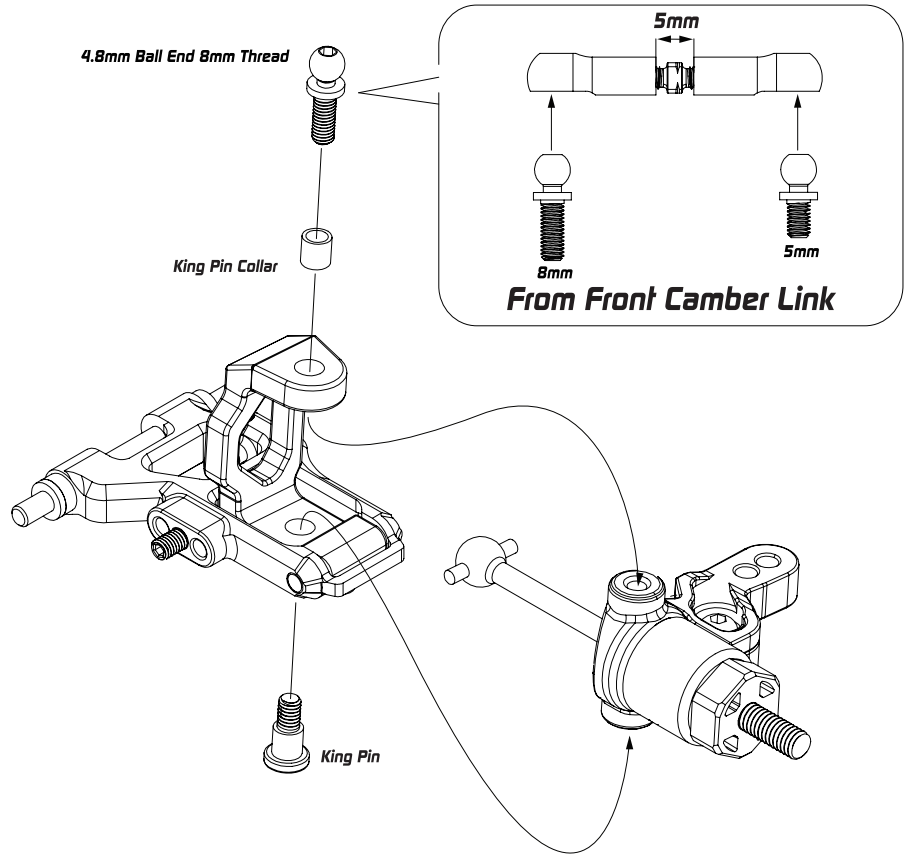


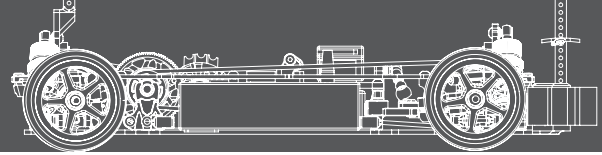


HW G

  King Pin Collar
XP-10164

 King Pin
XP-10164





Bag G, I, HW K



Flat Head Screw M3 x 6mm
XP-40046



Composite Suspension Mount - FF
XP-10260

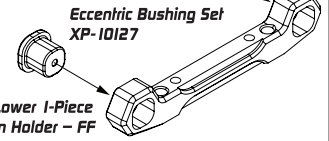
Optional



Diagonal Offset
Use either 0.5 or 1 mm to shift the roll center in a diagonal direction from the center.

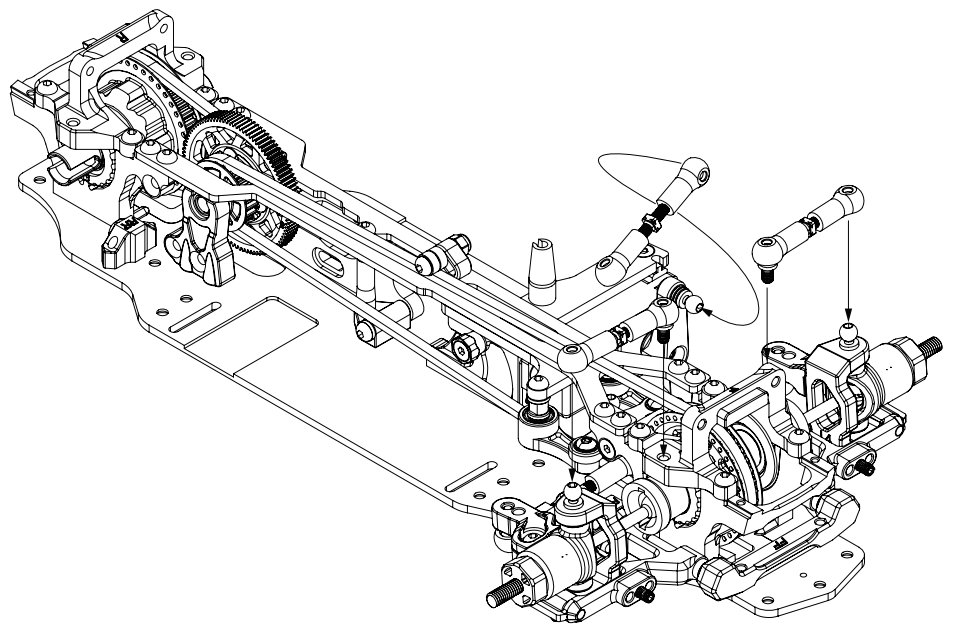
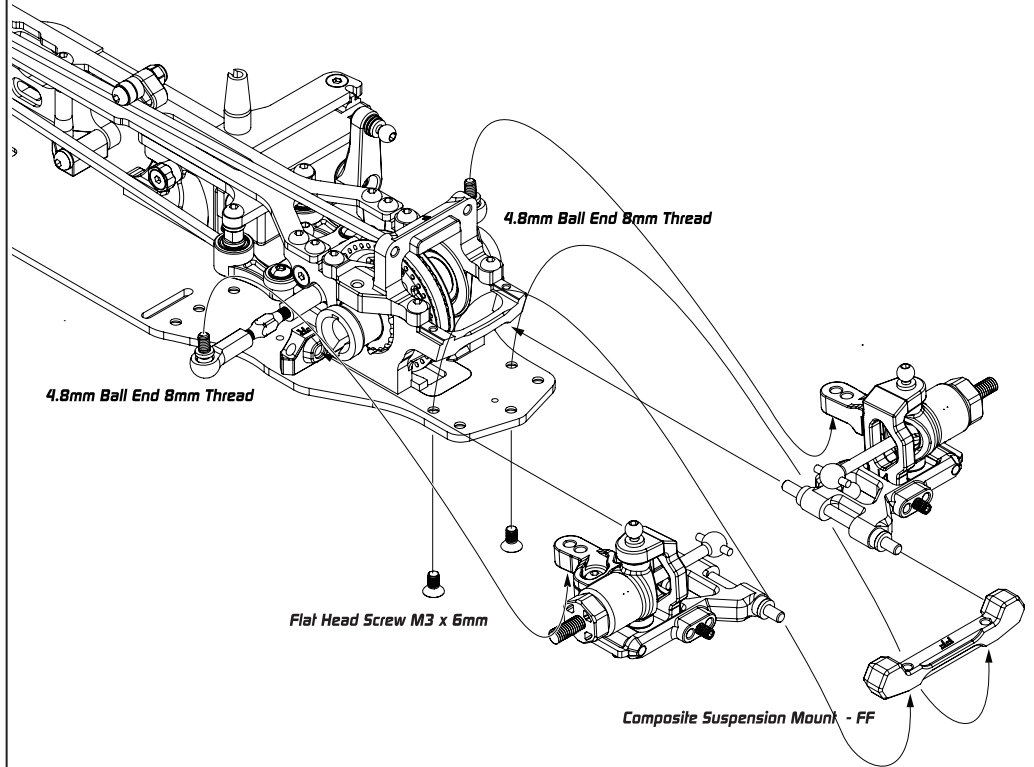


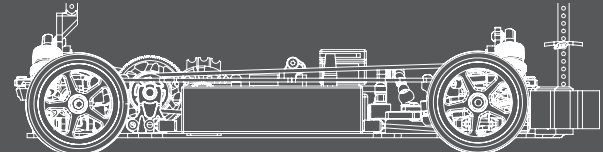
Default Setup



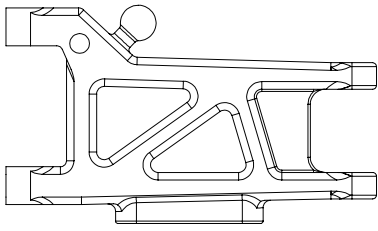
Alu Front Lower 1-Piece
Suspension Holder - FF
XP-10114

Horizontal Offset
Choice of either 0.5 or 1 mm offset from center

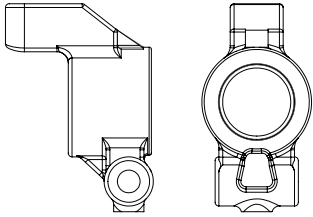




Bag K, L, HW F, H, I, K



XM15 Composite Suspension Arm Rear
XP-10276



XM15 Composite Suspension Rear Upright
XP-10275



Driveshaft Protector Blade
XP-10128



Bearing 5 x 10 x 4mm
XP-40064



Composite Wheel Hub
XP-10262



Pin 2 x 9.8mm
XP-40069



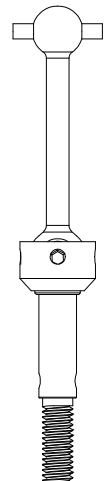
Suspension Pivot Pin 3 x 42mm
XP-10139



3x18mm C Hub Upright Pivot Pin
XP-10289

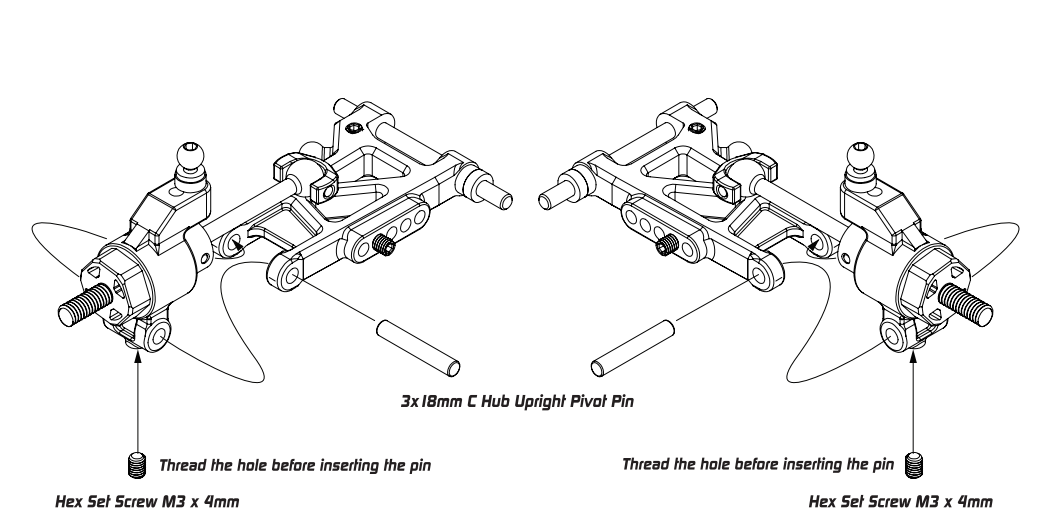
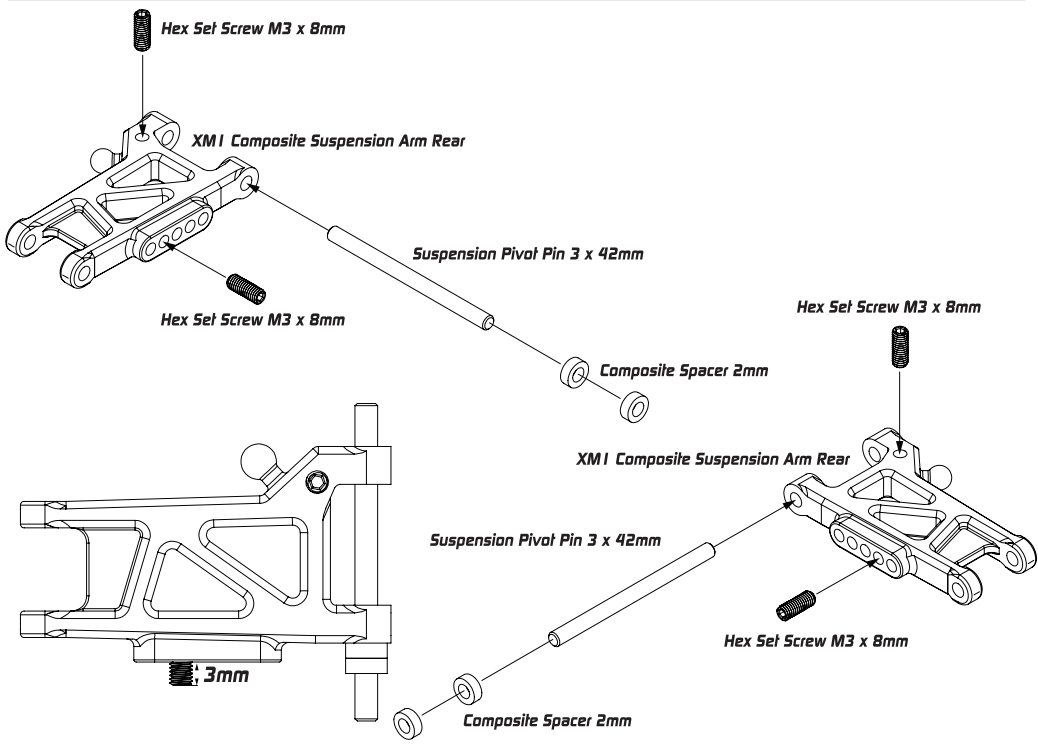
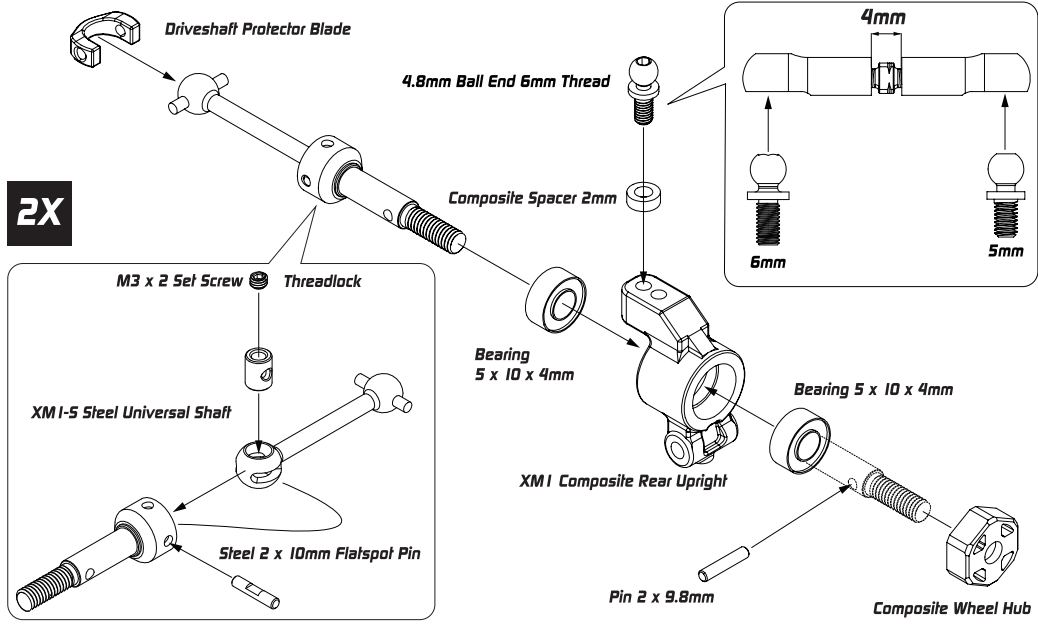


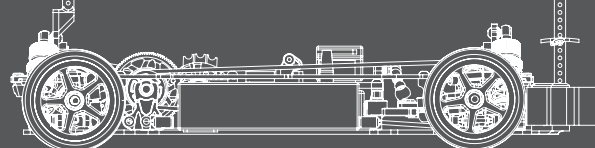
Hex Set Screw M3 x 8mm
XP-40054



Execute XM15 Steel Universal Shaft
XP-10313

2X





Bag I, HW K

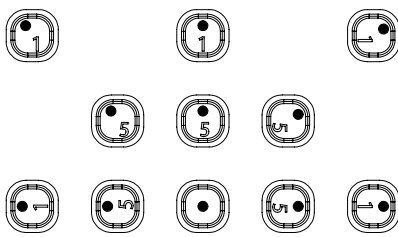


Flat Head Screw M3 x 6mm
XP-40046



Composite Suspension Mount - RR
XP-10260

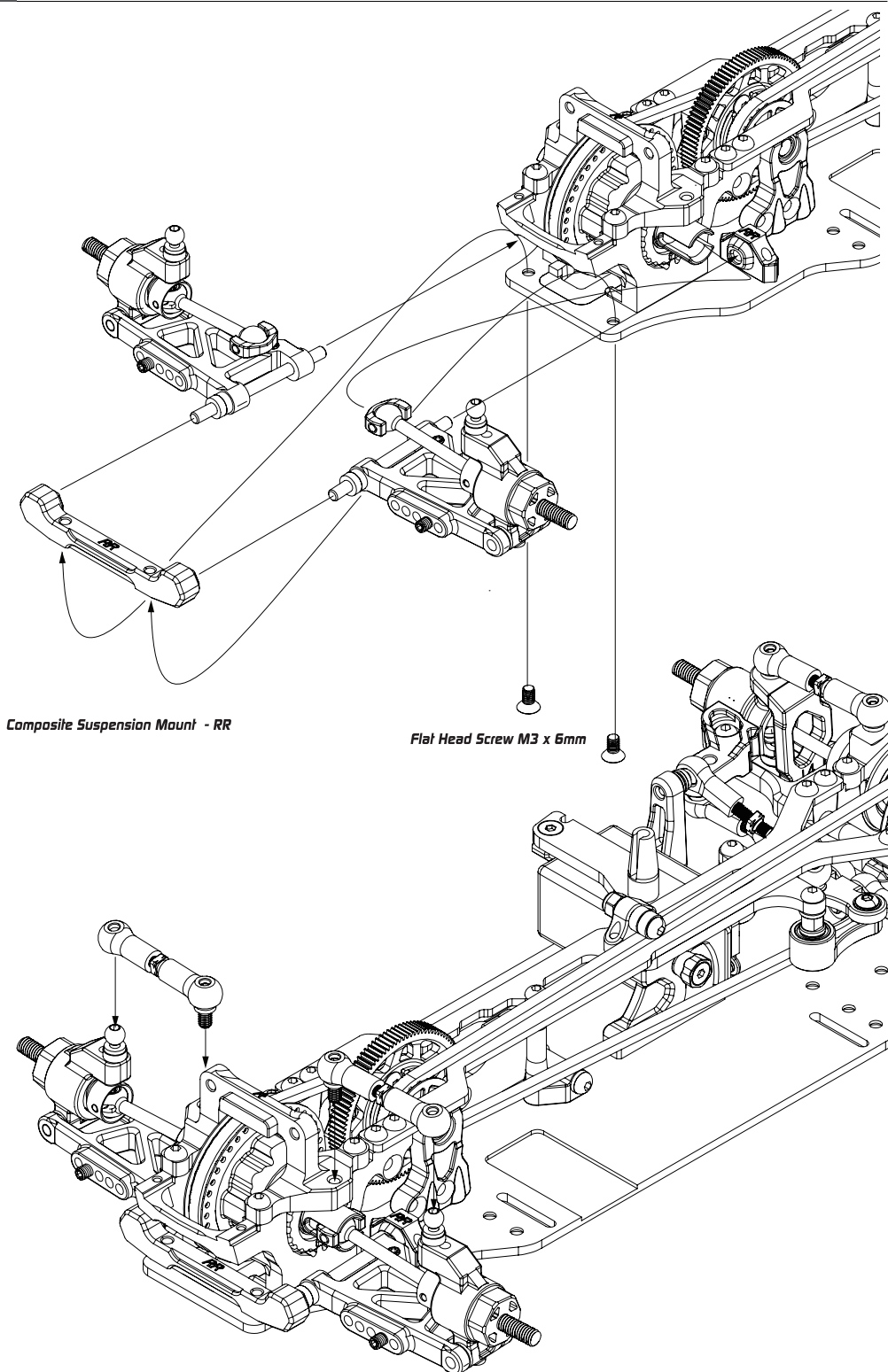
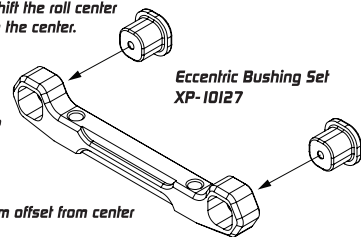
Optional

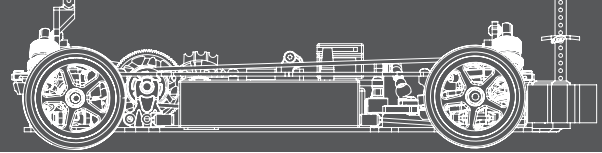


Diagonal Offset
Use either 0.5 or 1mm to shift the roll center in a diagonal direction from the center.

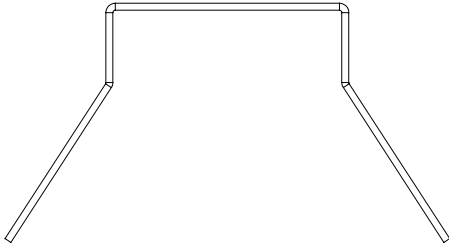
Alu Rear Lower 1-Piece Suspension holder - RR
XP-10124

Horizontal Offset
Choice of either 0.5 or 1mm offset from center

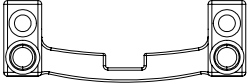




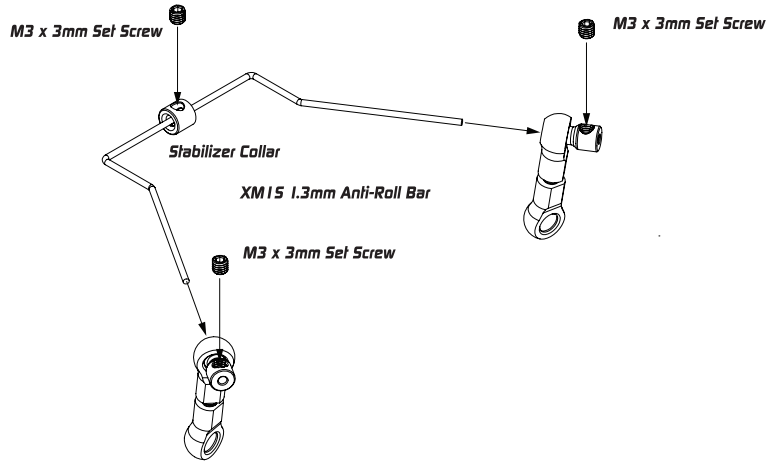
BAG H , HW I , HW K



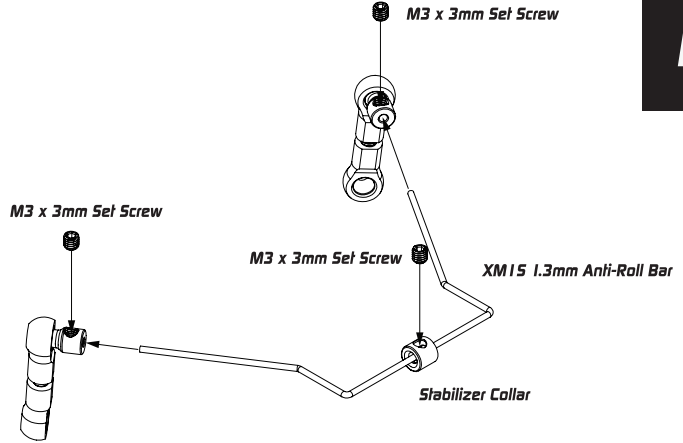
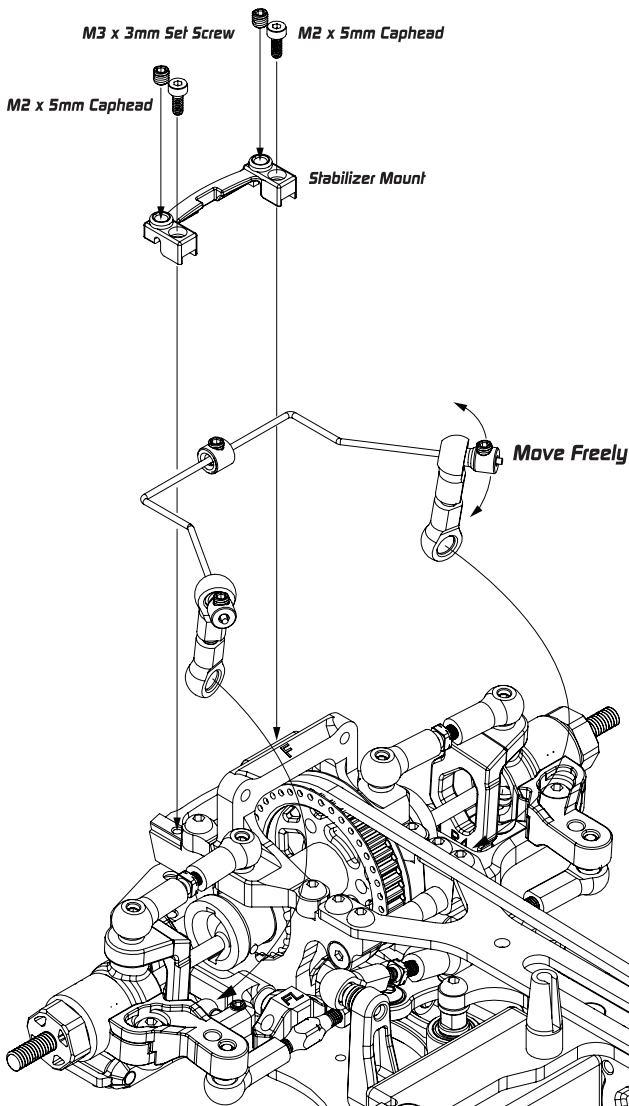
XM15 1.3mm Anti-Roll Bar XP-10314



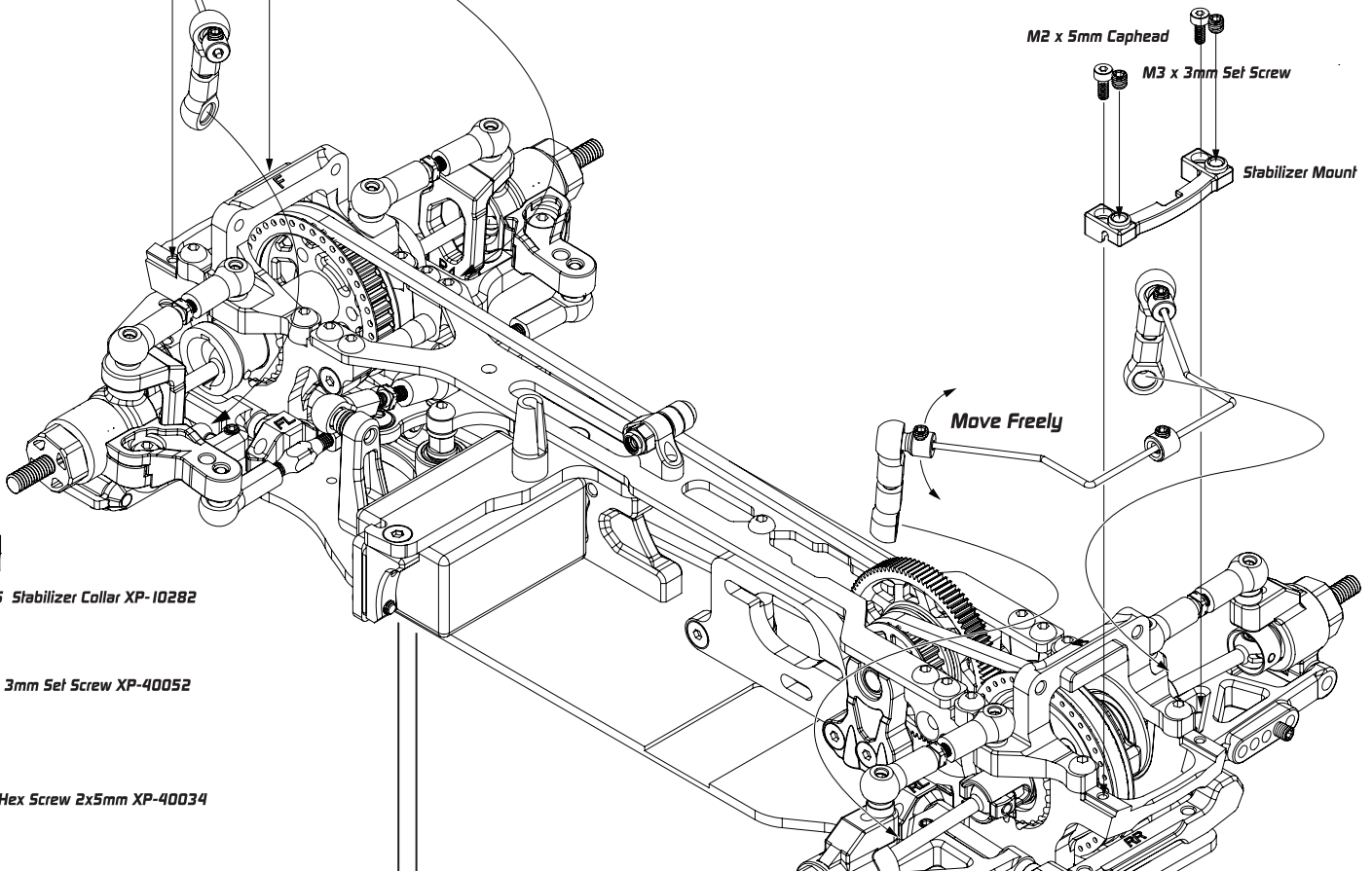
XM15 Stabilizer Mount XP-10230



Front



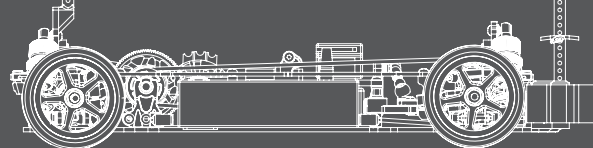
Rear



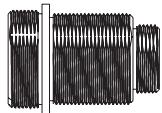
XM15 Stabilizer Collar XP-10282

M3 x 3mm Set Screw XP-40052

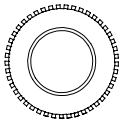
Cap Hex Screw 2x5mm XP-40034



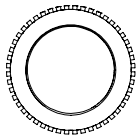
Bag M , HW J



Composite Shock Body
Alu Shock Body
Option Part XP-10057



Alu Upper Shock Cap
XP-10256



Alu Spring Tension Adjust Nut
XP-10258



Alu Lower Shock Cap
XP-10257



Shock Top Connector
XP-10015



2 Hole Piston
XP-10016



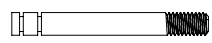
Shock Lower Connector
XP-10015



Shaft Cover
XP-10016



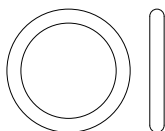
Shaft Spacer
XP-10016



Shock Shaft
XP-10050



Shock Absorber Membrane
XP-10051



Silicone O Ring For Spring Adjust Nut
XP-10051

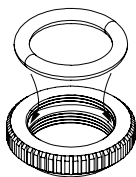


Shock O-Ring
XP-10051

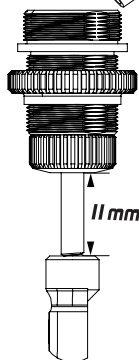
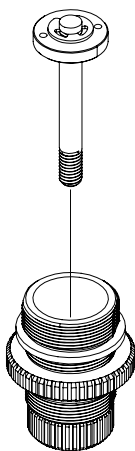
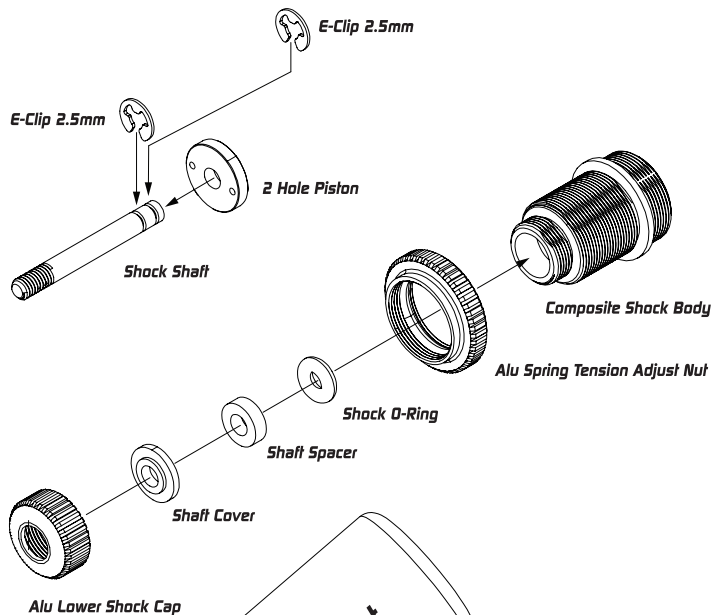


E-Clip 2.5mm
XP-40057

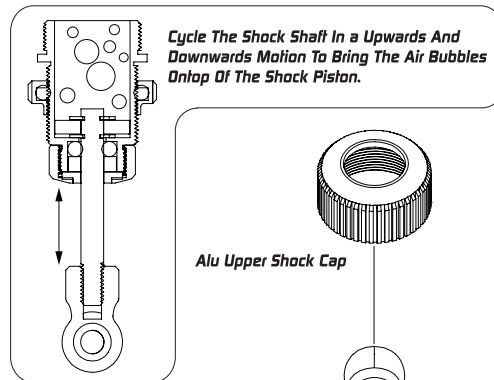
Silicone O Ring For Spring Adjust Nut



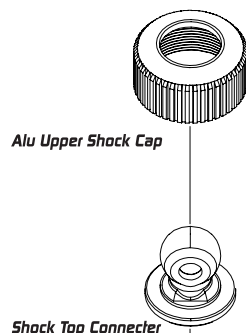
Alu Spring Tension Adjust Nut



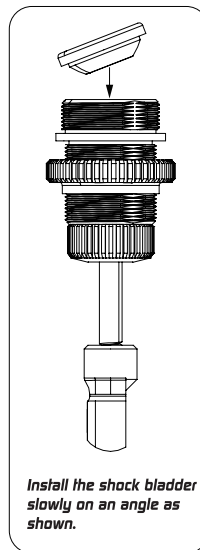
Shock Lower Connector



Cycle The Shock Shaft In a Upwards And Downwards Motion To Bring The Air Bubbles On/Up Of The Shock Piston.

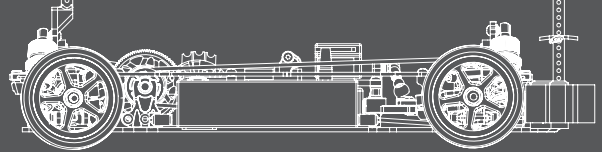


Shock Top Connector



Install the shock bladder slowly on an angle as shown.

Shock Absorber Membrane



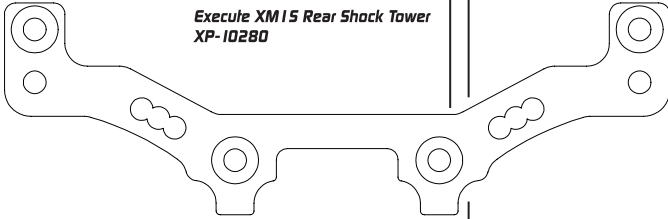
Bag M , N , FRP , HW B , I , K



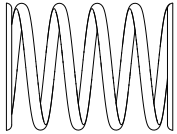
Spring Retainer
XP-10015



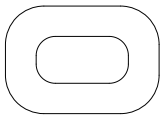
Pivot Ball 4.8 mm
XP-10045



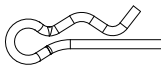
Execute XM15 Rear Shock Tower
XP-10280



Touring Spring Ø 1.4 - Blue
XP-10363



Body Height Adjuster Support
XP-10001



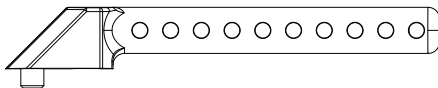
Body Clip
XP-10055



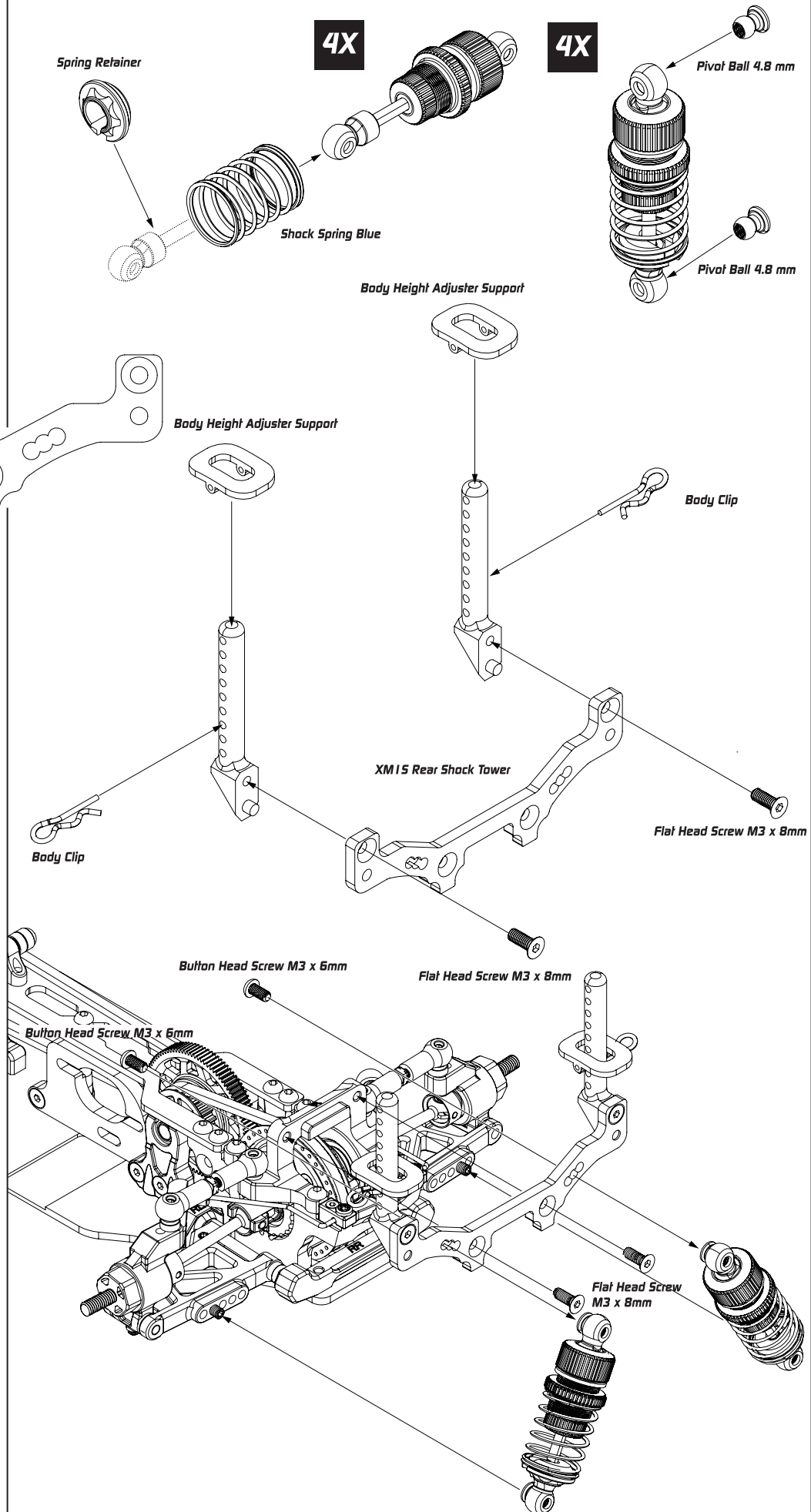
Flat Head Screw M3 x 8mm
XP-40048

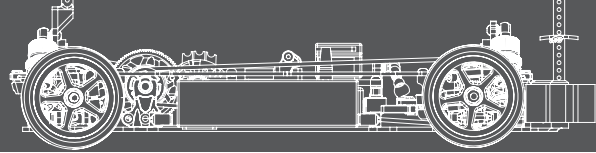


Bultron Head Screw M3 x 6mm
XP-40037

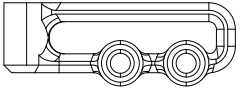


Rear Body Post
XP-10001





Bag L , FRP , HW K



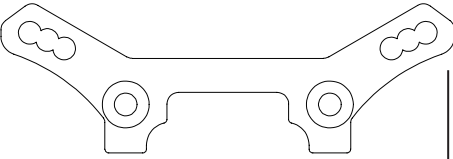
Composite Lipo Battery Backstop
XP-10180



Flat Head Screw M3 x 8mm
XP-40048



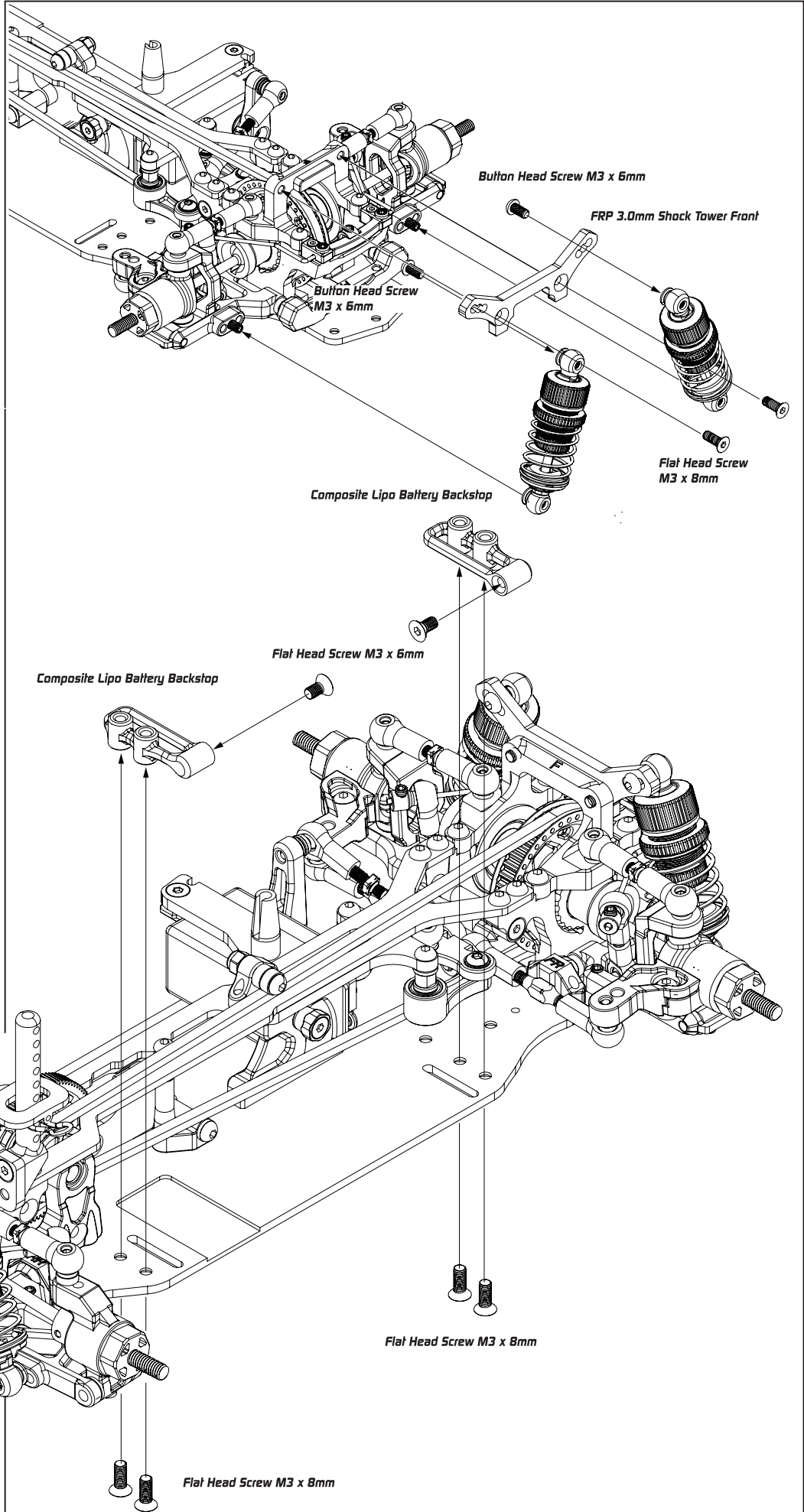
Flat Head Screw M3 x 6mm
XP-40046

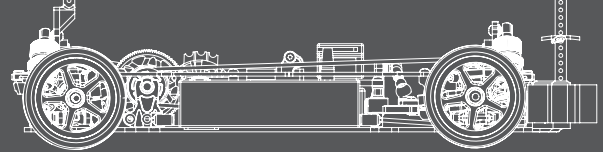


Execute XM15 Front Shock Tower
XP-10279

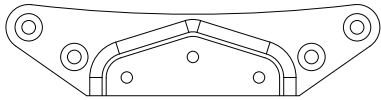


Bolt Head Screw M3 x 6mm
XP-40037

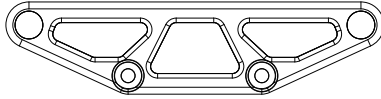




Bag N , HW I , K



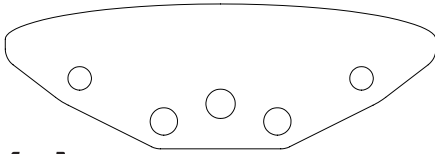
Lower Bumper
XP-10001



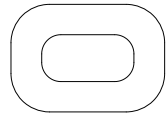
Bumper Plate
XP-10001



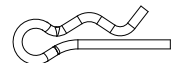
Front Body Post
XP-10001



Foam Bumper
XP-10095



Body Height Adjuster Support
XP-10001



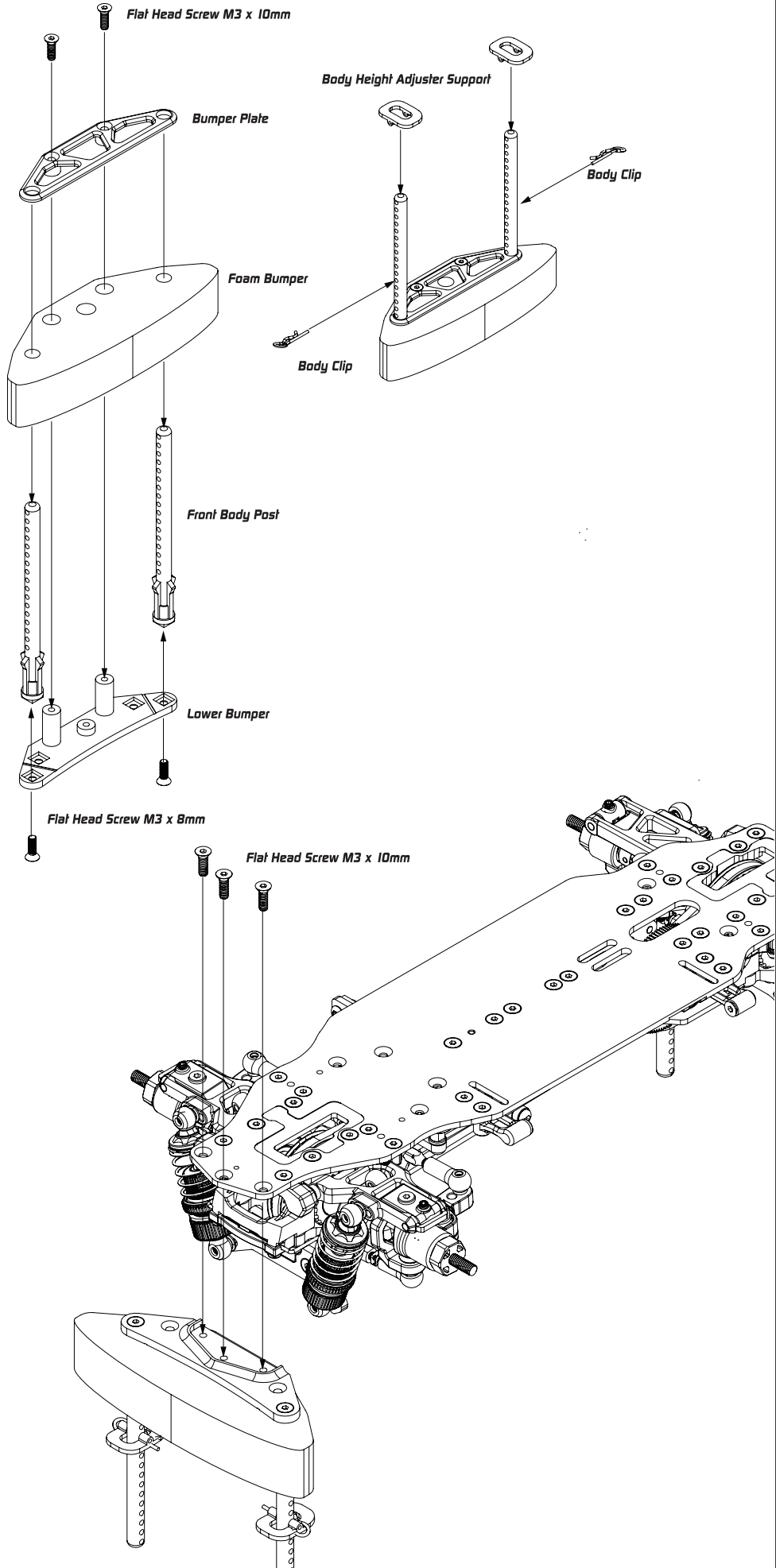
Body Clip
XP-10055

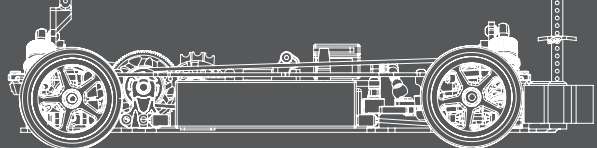


Flat Head Screw M3 x 10mm
XP-40049



Flat Head Screw M3 x 8mm
XP-40048

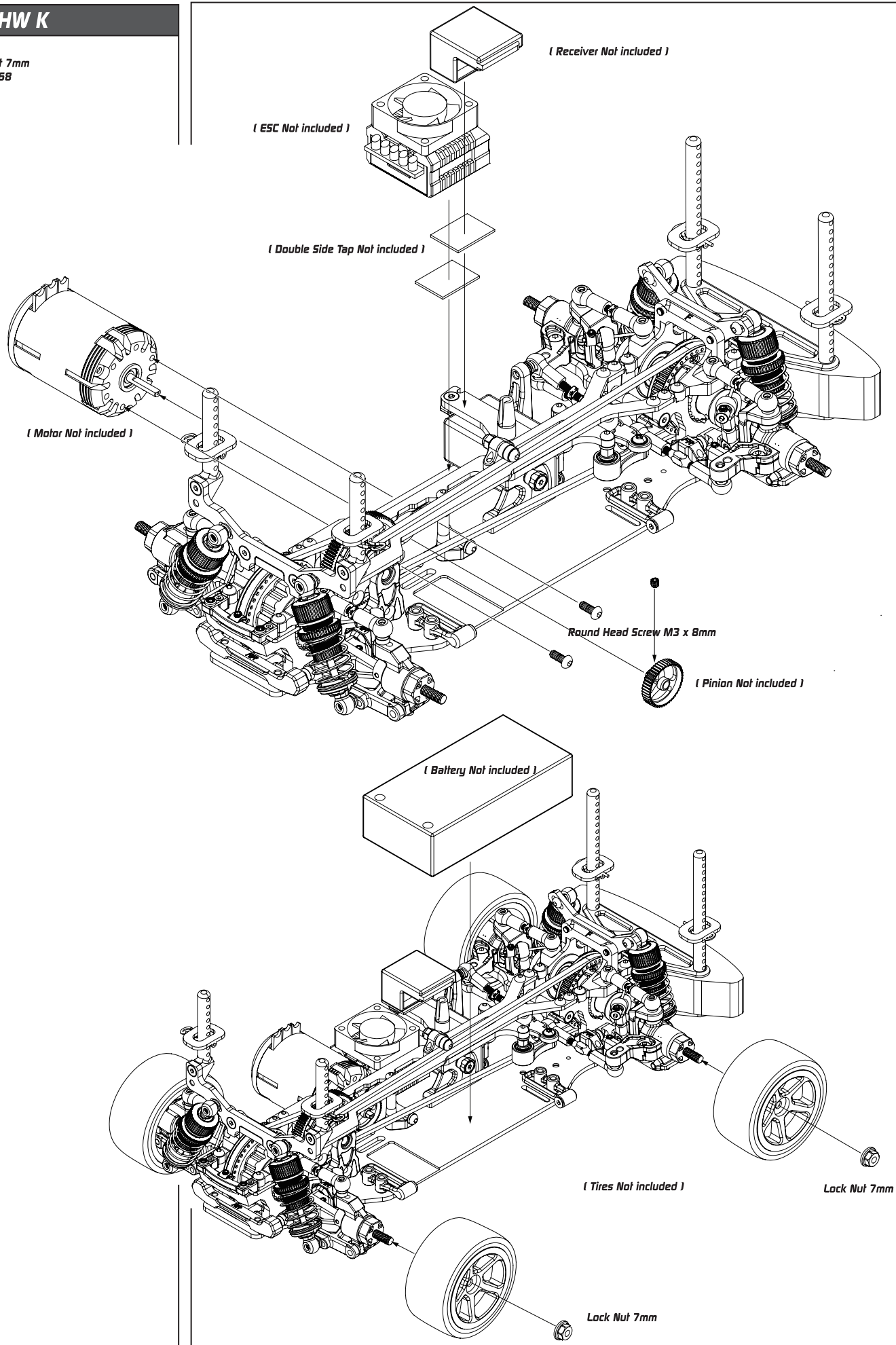


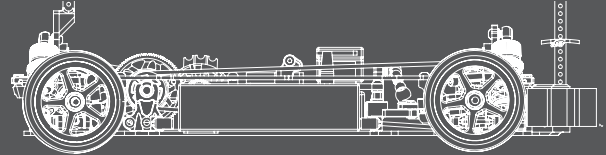


HW K



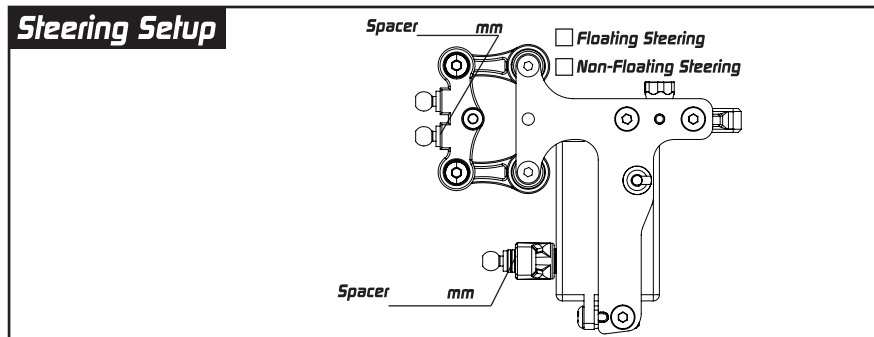
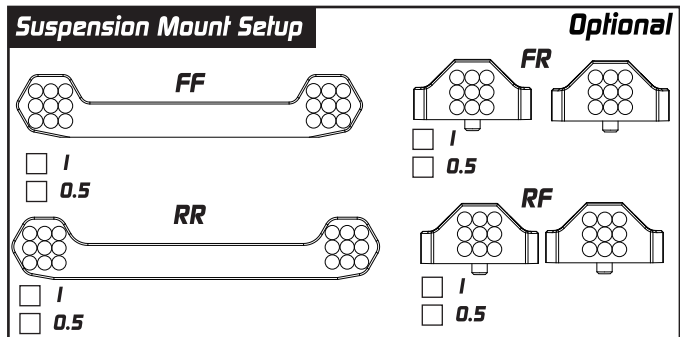
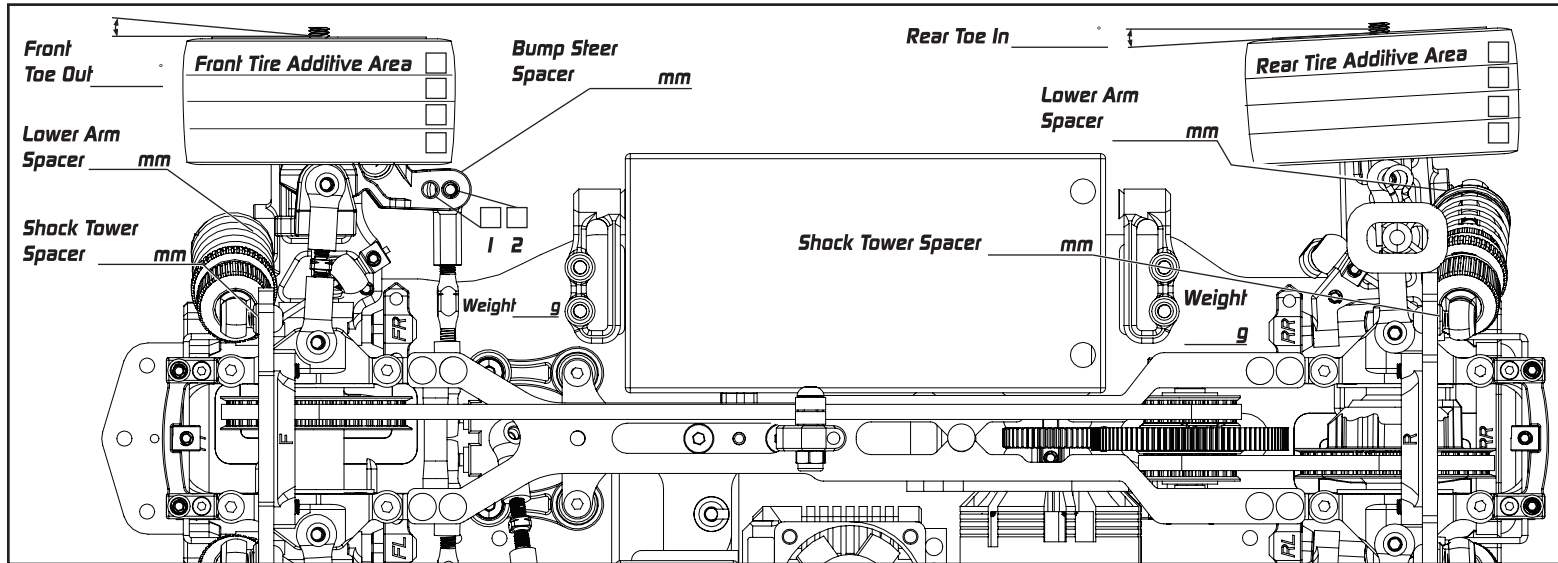
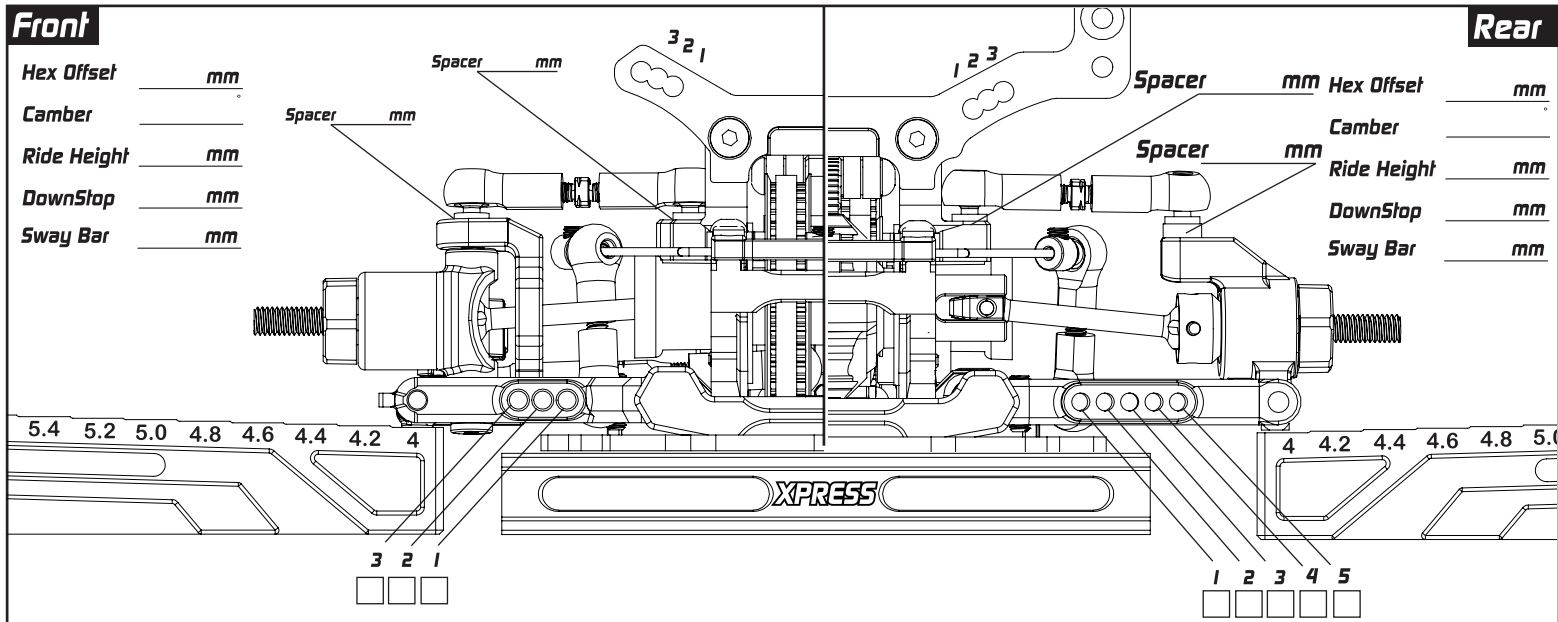
Lock Nut 7mm
XP-40068





	Pinion																																							
	51	52	53	54	55	56	57	58	59	60	61	62	63	64	65	66	67	68	69	70	71	72	73	74	75	76	77	78	79	80	81	82	83	84	85					
69													2.08	2.05	2.02	1.99	1.96	1.93	1.90	1.87	1.85	1.82	1.80	1.77	1.75	1.73	1.70	1.68	1.66	1.64	1.62	1.60	1.58	1.56	1.54					
70												2.15	2.11	2.08	2.05	2.02	1.99	1.96	1.93	1.90	1.87	1.85	1.82	1.80	1.77	1.75	1.73	1.71	1.68	1.66	1.64	1.62	1.60	1.58						
71											2.21	2.18	2.14	2.11	2.08	2.04	2.01	1.98	1.96	1.93	1.90	1.87	1.85	1.82	1.80	1.78	1.75	1.73	1.71	1.69	1.67	1.65	1.63							
72										2.28	2.24	2.21	2.17	2.14	2.10	2.07	2.04	2.01	1.98	1.95	1.93	1.90	1.87	1.85	1.82	1.80	1.78	1.75	1.73	1.71	1.69	1.67								
73									2.35	2.31	2.27	2.24	2.20	2.17	2.13	2.10	2.07	2.04	2.01	1.98	1.95	1.93	1.90	1.87	1.85	1.82	1.80	1.78	1.75	1.73	1.71									
74									2.42	2.38	2.34	2.30	2.26	2.23	2.19	2.16	2.13	2.10	2.07	2.04	2.01	1.98	1.95	1.93	1.90	1.87	1.85	1.83	1.80	1.78	1.76									
75									2.50	2.46	2.42	2.38	2.34	2.30	2.26	2.23	2.19	2.16	2.12	2.09	2.06	2.03	2.00	1.98	1.95	1.93	1.90	1.88	1.85	1.83	1.80									
76									2.58	2.53	2.49	2.45	2.41	2.37	2.33	2.29	2.26	2.22	2.19	2.16	2.12	2.09	2.06	2.03	2.00	1.98	1.95	1.93	1.90	1.88	1.85									
77																																								
78																																								
79																																								
80																																								
81																																								
82																																								
83																																								
84																																								
85																																								
86																																								
87																																								
88																																								
89																																								
90																																								
91																																								
92																																								
93																																								
94																																								
95																																								
96																																								
97																																								
98																																								
99																																								
100																																								

Driver _____ Track Surface _____ Track Temperature _____
 Date _____ Track Traction _____ Result _____ Air Temperature _____
 Track _____ Country _____ Best Lap _____ Humidity _____ Remark _____



Damper Setup

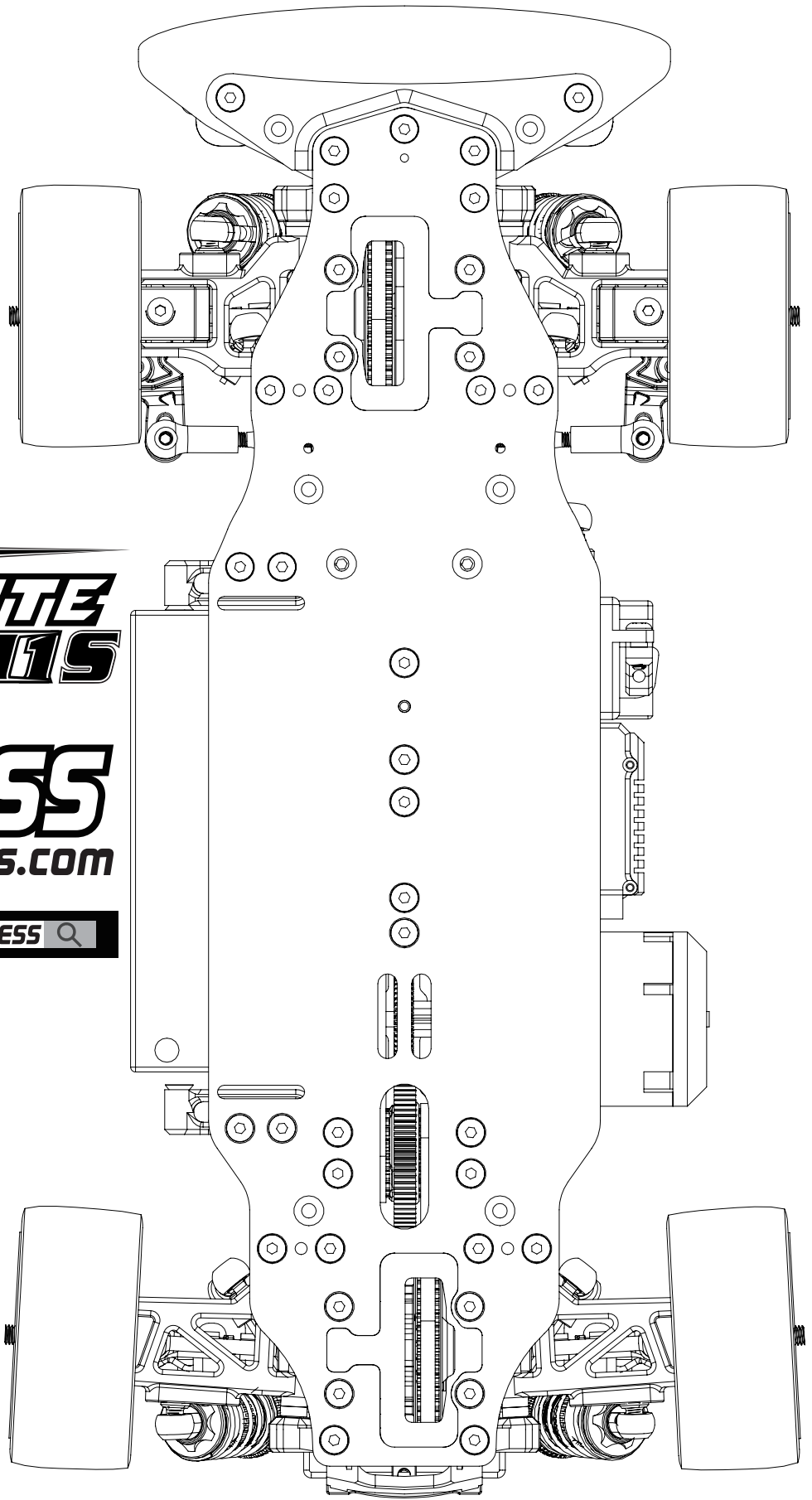
	Front	Rear
Spring	_____	_____
Oil	_____	_____
Rebound	_____	_____
Piston	_____	_____
Length	_____	_____
Foam Insert	<input type="checkbox"/>	<input type="checkbox"/>
Hole In Cap	<input type="checkbox"/>	<input type="checkbox"/>

Transmission Setup

Front	Rear
Oil	_____
Weight	_____ g
Position	_____
Gear Diff	_____
Oil	_____
Weight	_____ g
Position	_____

Others

Servo _____ Tires _____
 Esc _____ Additive _____
 Motor _____ Body _____
 Spur _____ P/ _____ T Rear Wing _____
 Pinon _____ P/ _____ T FDR _____



EXECUTE
1/10 COMPETITION MINI TOURING CAR
XM15

XPRESS
www.rc-xpress.com



RC XPRESS

