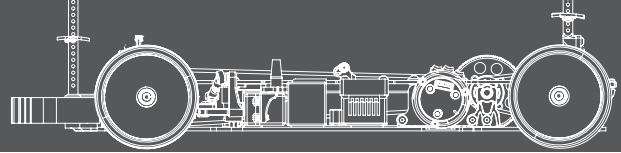


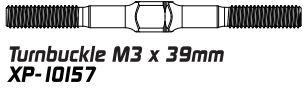
# **EXECUTE** **XQ2S**

1/10 SPORT TOURING CAR

**INSTRUCTION MANUAL**



### Bag A,F , HW A,B



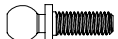
Turnbuckle M3 x 39mm  
XP-10157



Turnbuckle M3 x 29mm  
XP-10156



Turnbuckle M3 x 18mm  
XP-10157



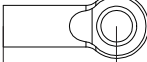
4.8mm Ball End 8mm Thread  
XP-10150



4.8mm Ball End 6mm Thread  
XP-10149



4.8mm Ball End 5mm Thread  
XP-10148

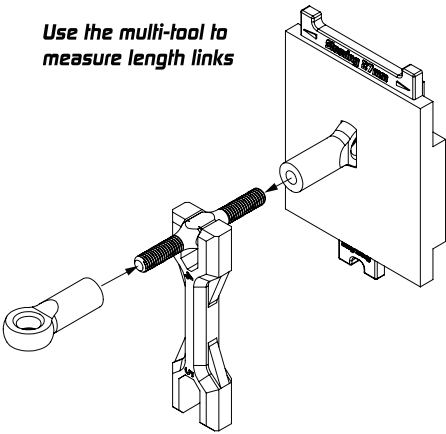


4.8mm Flat Type Ball End 15mm  
XP-10251 Optional XP-10636

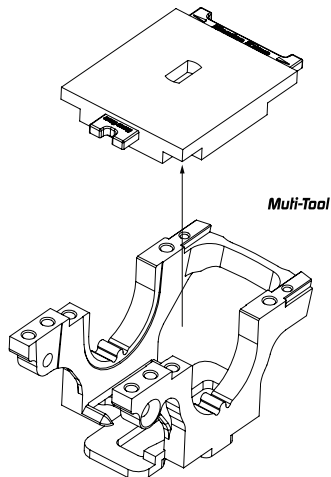


4.8mm Flat Type Ball End 13mm  
XP-10252 Optional XP-10635

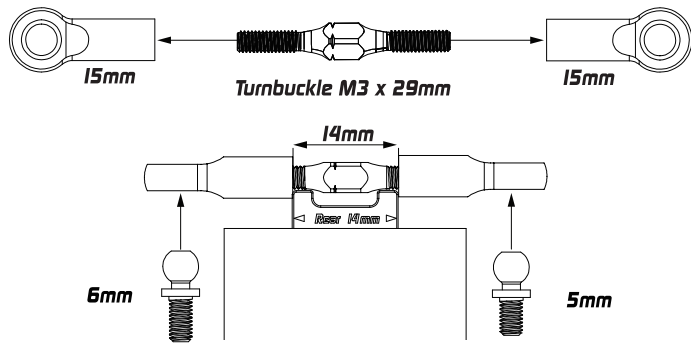
Use the multi-tool to  
measure length links



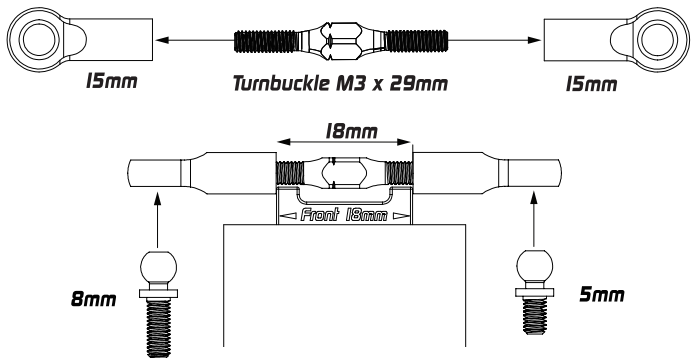
Turnbuckle Wrench From Bag I



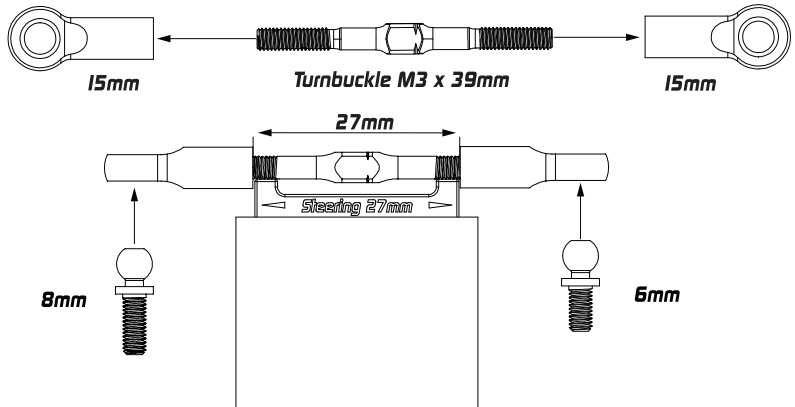
### 2X For Rear Camber Link



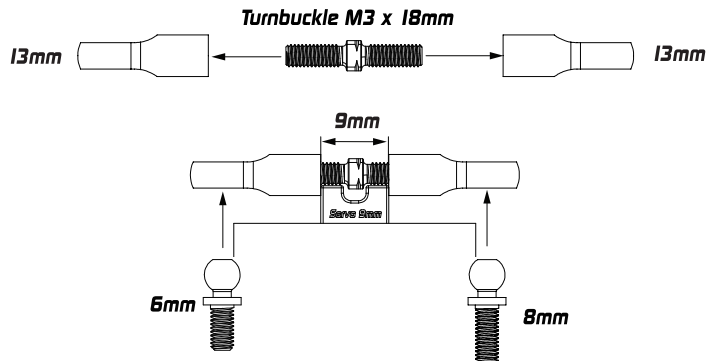
### 2X For Front Camber Link

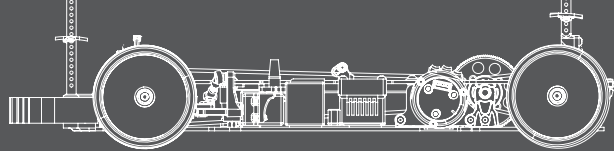


### 2X For Steering

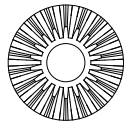


### 1X For Servo





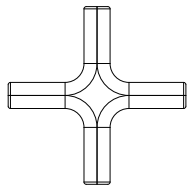
### Bag B , Bag C , HW H and HW J



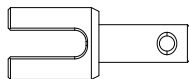
Bevel Gears 18T  
XP-10009



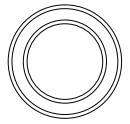
Bevel Gears 10T  
XP-10009



Gear Diff Cross Pin  
XP-10009



Steel Gear Diff Outdrive Adaptor  
XP-10288  
Optional XP-10125



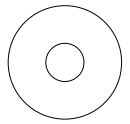
Bearing 10 x 15 x 4mm  
XP-40065



O-ring 5 x 2mm  
XP-10184



Pin 2 x 9.8mm  
XP-40069



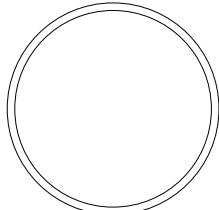
Spacer 5 x 15 x 0.4mm  
XP-10181



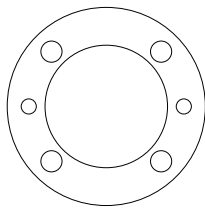
Spacer 3.6 x 9.5 x 0.2mm  
XP-10182



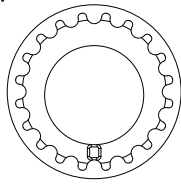
Flat Head Screw M2.5 x 8mm  
XP-40044



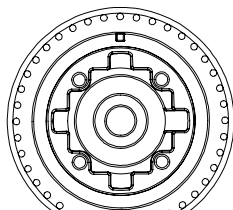
O-ring 25 x 1mm  
XP-10183



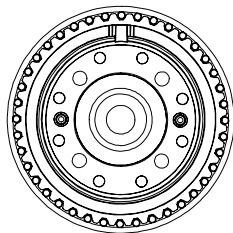
Diff Gasket  
XP-10179



Composite Adjustment  
Ball-Bearing Hub  
XP-10107



Gear Differential Case  
XP-10008

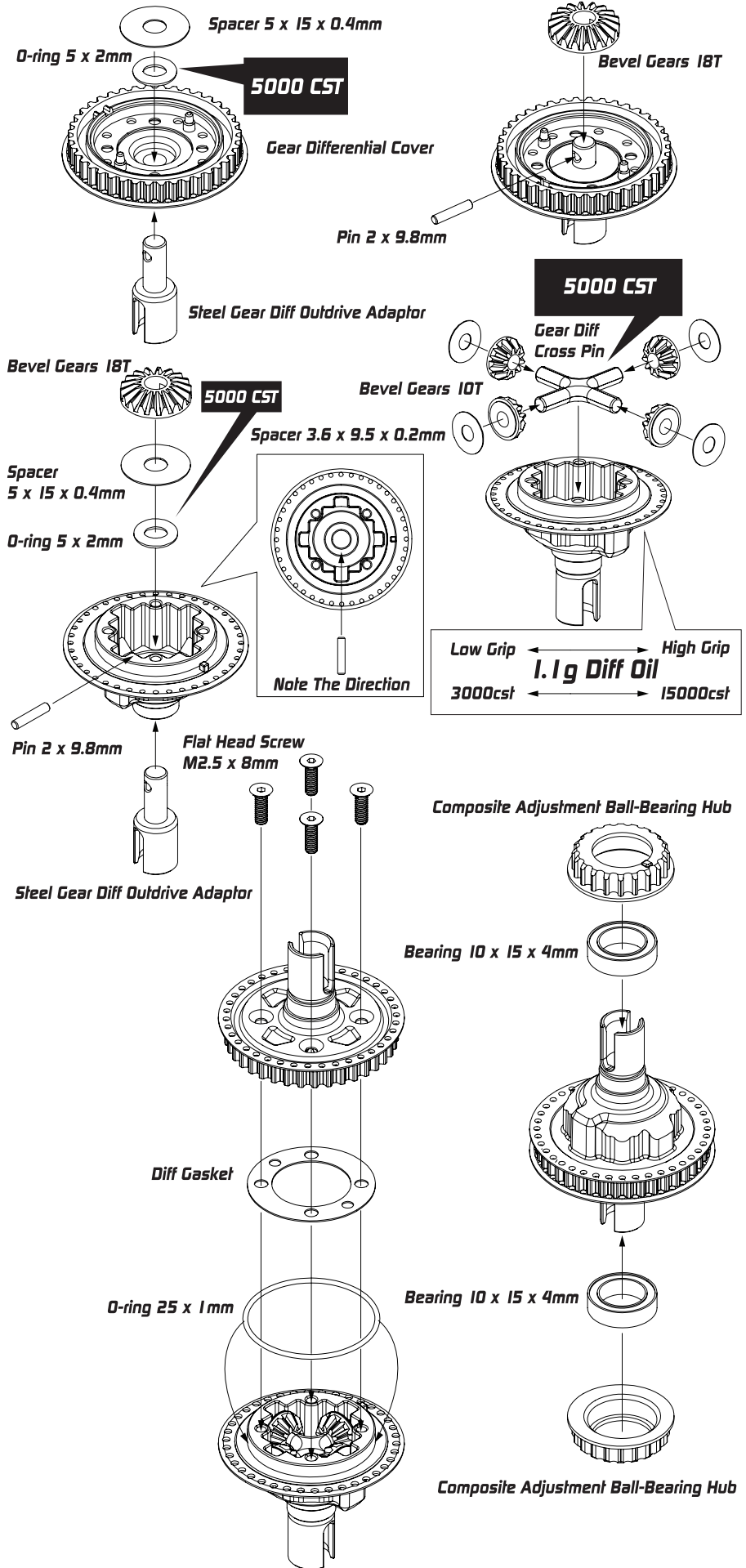


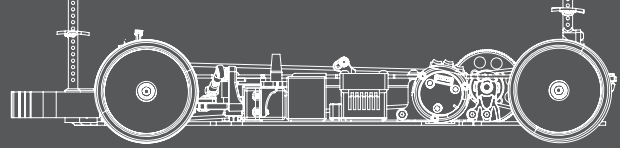
Gear Differential Cover  
XP-10008

### Optional

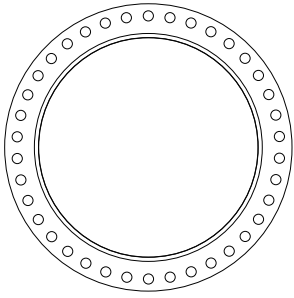
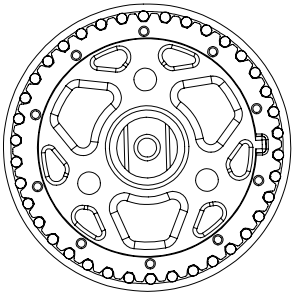


Silicone Gear Differential X-RING 5x2mm  
XP-10600

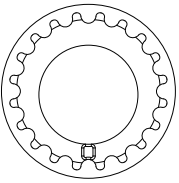




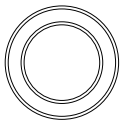
### Bag C , HW H and HW K



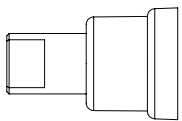
**Composite 38T Spool Set  
XP-10264**



**Composite Adjustment Ball-Bearing Hub  
XP-10107**



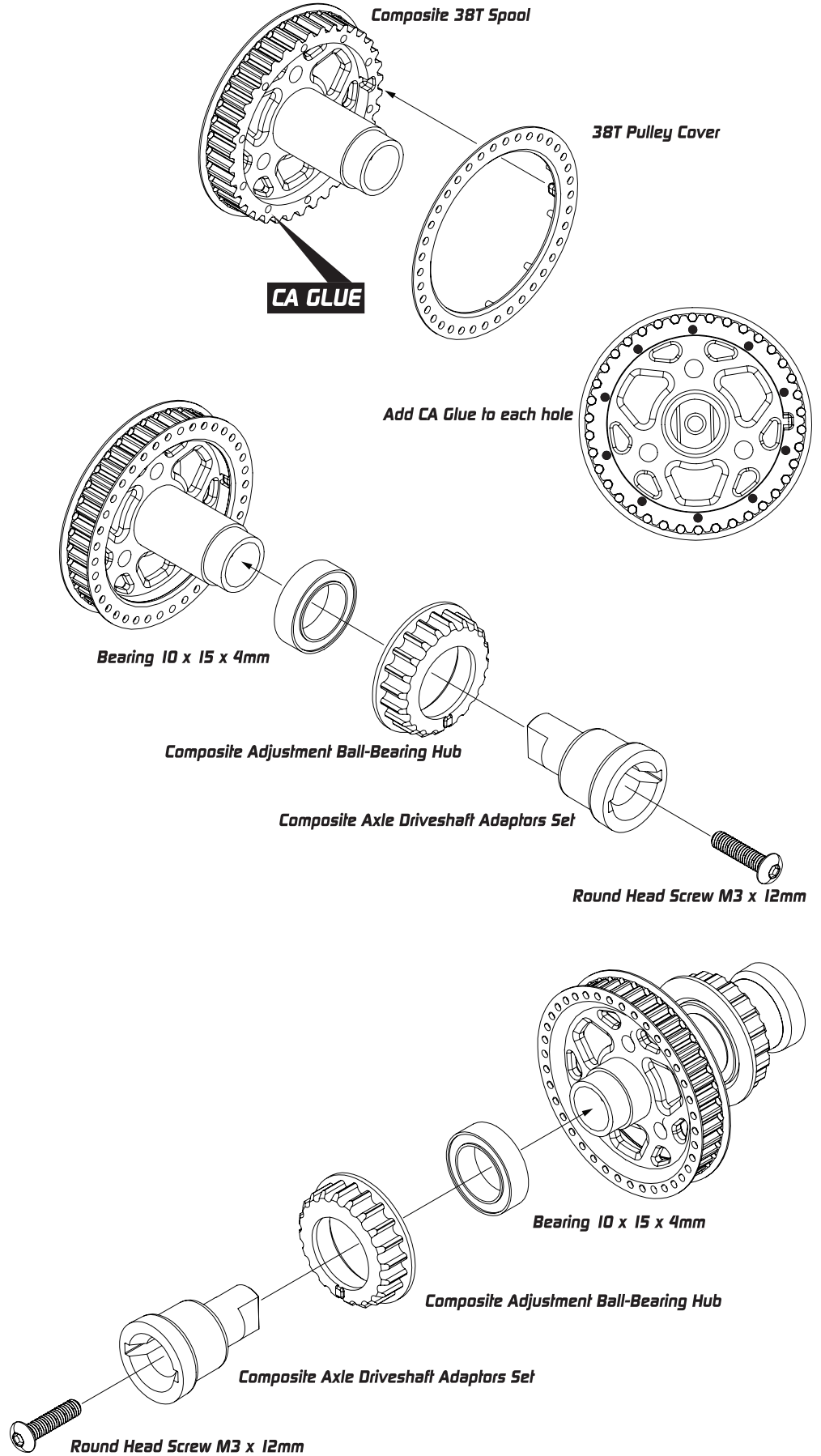
**Bearing 10 x 15 x 4mm  
XP-40065**

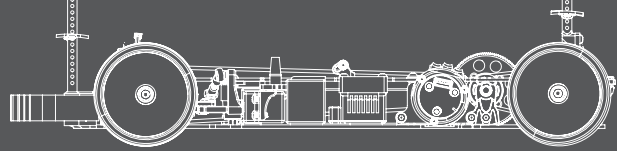


**Composite Axle Driveshaft Adaptors Set  
XP-10264  
Optional XP-10556**

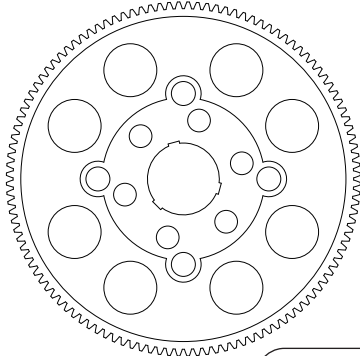


**Round Head Screw M3 x 12mm  
XP-40040**

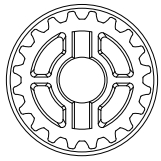




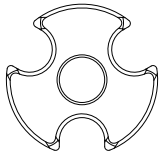
### Bag D



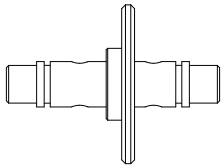
**Spur Gear 64P 116T**  
XP-10053



**20T Center Pulley**  
XP-10134



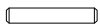
**Center Pulley Cover**  
XP-10134



**XQ1-5 Aluminium Solid Layshaft**  
XP-10284



**Round Head Screw M3 x 4mm**  
XP-40036



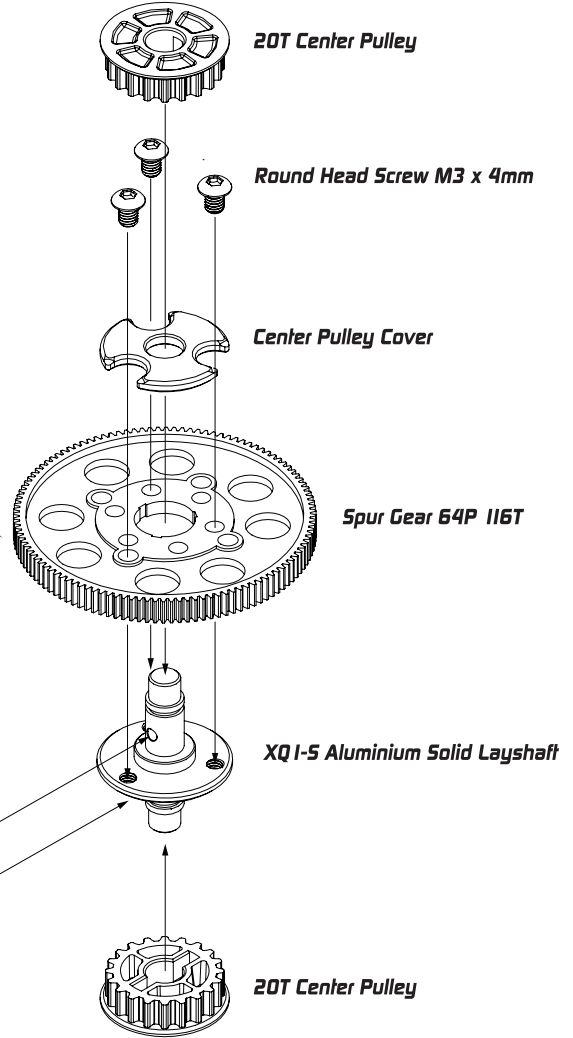
**Pin 2 x 12mm**  
XP-40070



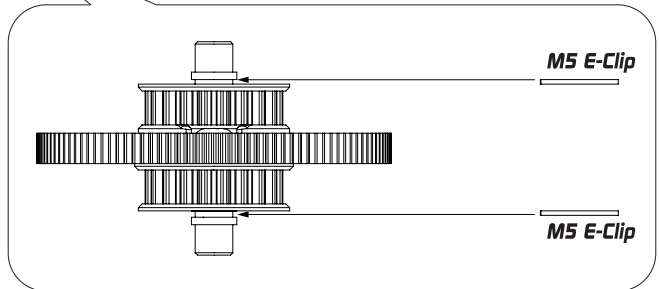
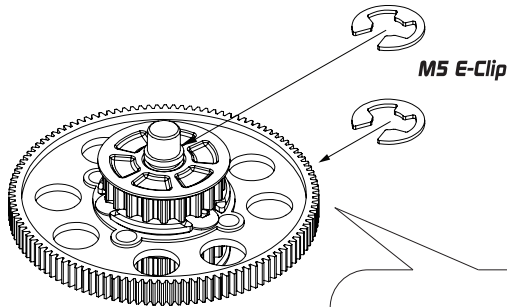
**M5 E-Clip**  
XP-40058

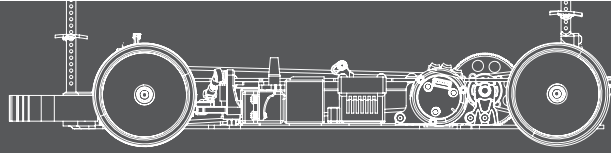
### 64P Spur Gear

- OP** High Composite Spur Gear 64P 94T  
XP-40122
- OP** High Composite Spur Gear 64P 96T  
XP-40082
- OP** High Composite Spur Gear 64P 98T  
XP-40081
- OP** High Composite Spur Gear 64P 100T  
XP-40121
- OP** High Composite Spur Gear 64P 110T  
XP-40083
- OP** High Composite Spur Gear 64P 112T  
XP-40084
- OP** High Composite Spur Gear 64P 114T  
XP-40085

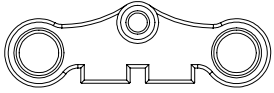


Pin 2 x 12mm



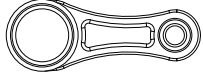


Bag F, G, K, L, N, FRP, HW H and HW K



Option: XP-10113

Composite Steering Plate For Dual Servo Saver XP-10740



Option: XP-10111

Composite Dual Servo Saver Arm XP-10740



Bearing 5 x 8 x 2.5mm XP-40061



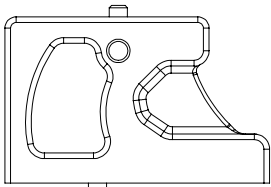
Bearing 3 x 6 x 2.5mm XP-40060



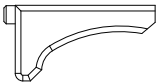
Round Head Screw M3 x 8mm XP-40038



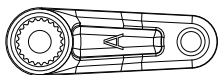
Round Head Screw M3 x 6mm XP-40037



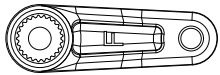
Composite Servo Mount XP-10740 Optional XP-10136



Composite Servo Side Mount XP-10740 Optional XP-10136



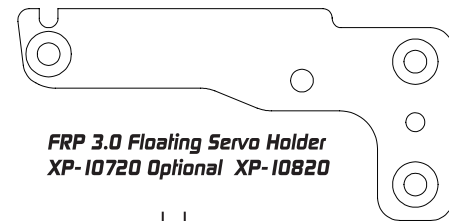
Servo Horn 23T for Sanwa, KO XP-10163



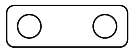
Servo Horn 25T for Futaba XP-10163



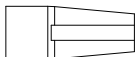
3 x 5.5 x 1 mm Composite Spacer XP-10740 Optional XP-10119, XP-10240



FRP 3.0 Floating Servo Holder XP-10720 Optional XP-10820



Servo Spacer XP-10136



Antenna Holder XP-10001



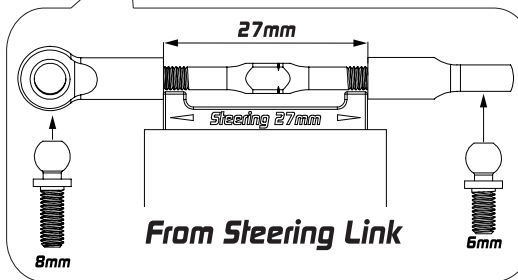
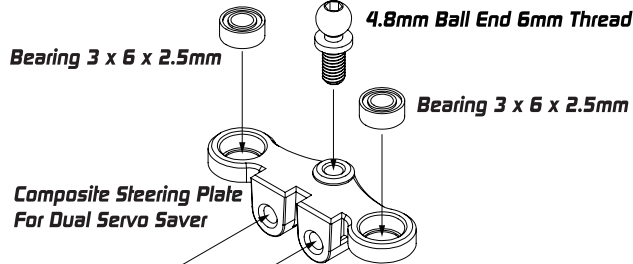
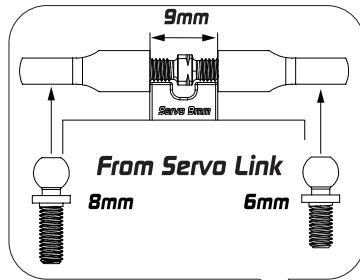
Flat Head Screw M3 x 10mm XP-40049



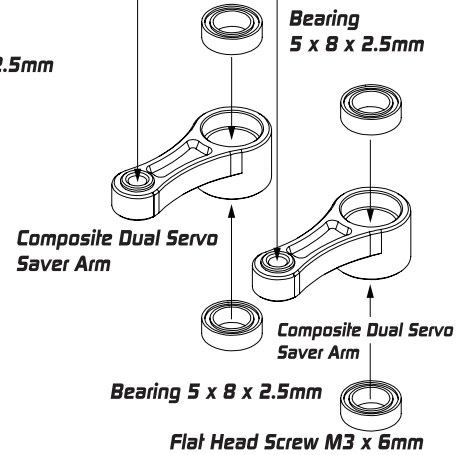
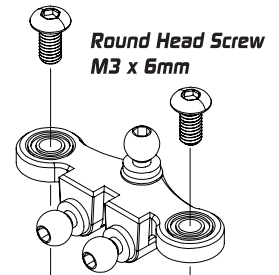
Flat Head Screw M3 x 6mm XP-40046



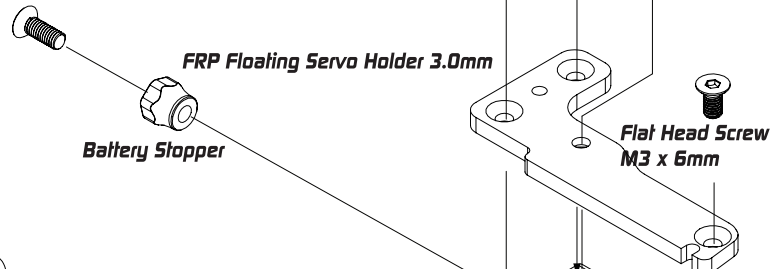
Battery Stopper XP-10185



Flat Head Screw M3 x 10mm Flat Head Screw M3 x 6mm



Flat Head Screw M3 x 6mm Antenna Holder



Composite Servo Mount  
Servo Spacer  
Flat Head Screw M3 x 6mm

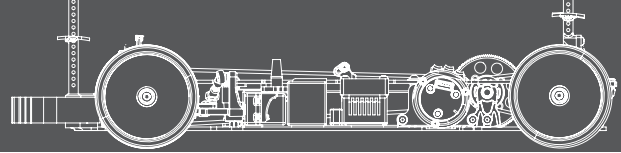
No Electronics are included

3 x 5.5 x 1 mm Composite Spacer

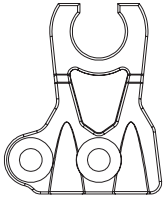
Round Head Screw M3 x 8mm

4.8mm Ball End 8mm Thread  
From Servo Link

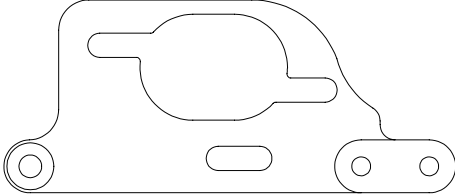
Round Head Screw M3 x 8mm



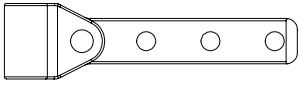
Bag E, G, HW C, E, H, K



Composite Layshaft Bulkhead  
XP-10231 Optional XP-10274



Alu Motor Mount Plate V2  
XP-10594



Alu Motor Mount Center Support V2  
XP-10594



3 x 5.5 x 1 mm Composite Spacer  
XP-10261 Optional XP-10119, XP-10240



XQ15 Aluminum Center Post  
XP-10259



Round Head Screw M3 x 6mm  
XP-40037



Flat Head Screw M3 x 6mm  
XP-40046



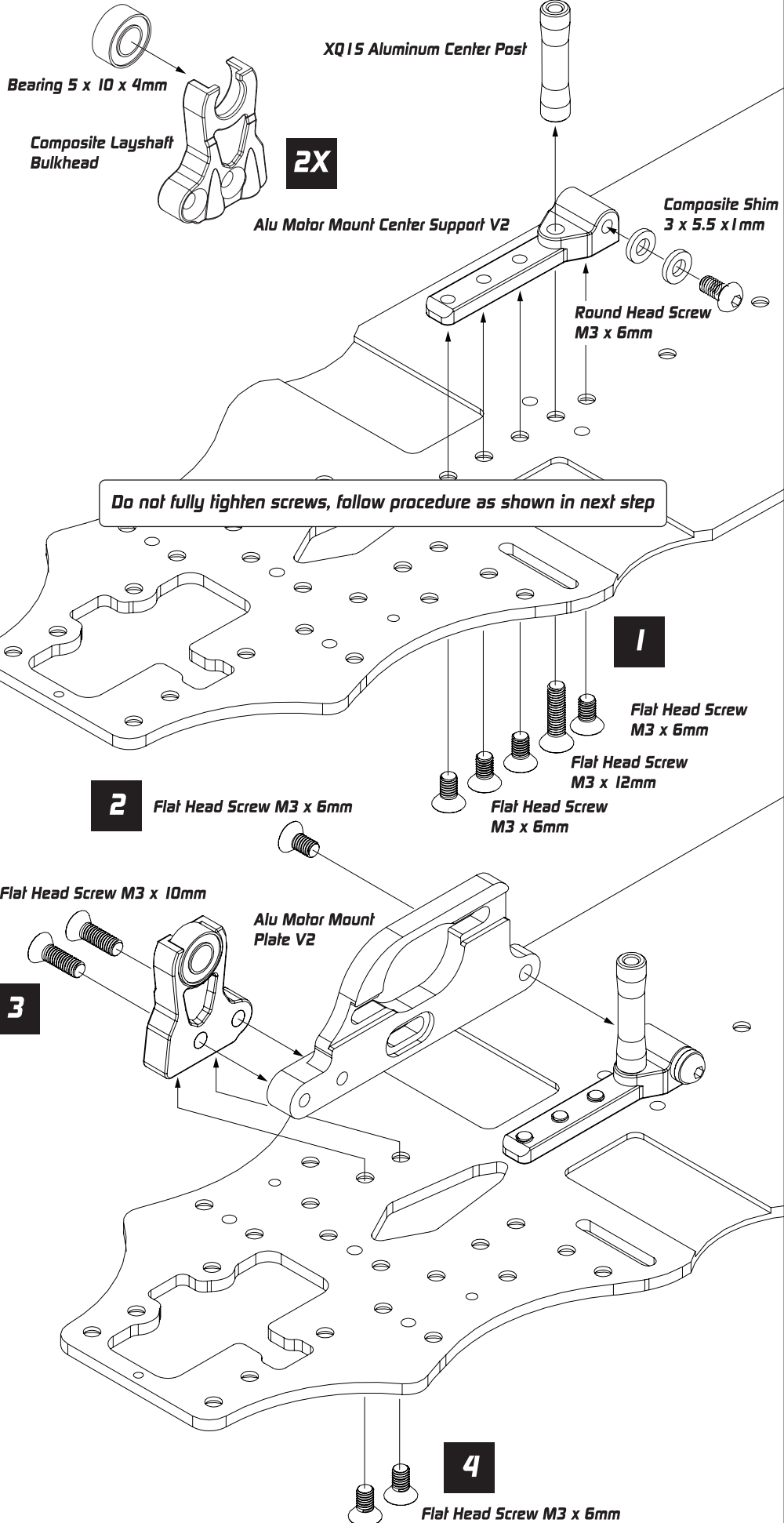
Flat Head Screw M3 x 10mm  
XP-40049

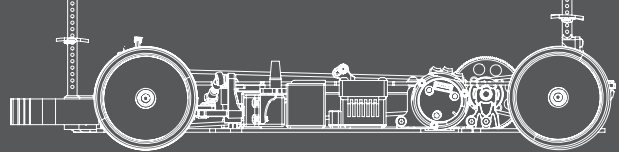


Flat Head Screw M3 x 12mm  
XP-40050

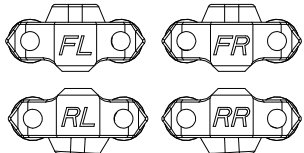


Bearing 5 x 10 x 4mm  
XP-40064

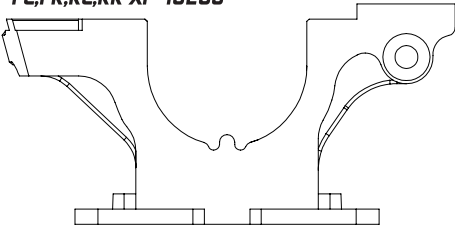




### Bag 1, F, HW K



Composite Lower 2-Piece Suspension Holder  
FL,FR,RL,RR XP-10260

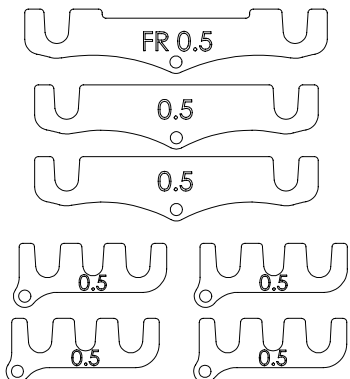


Composite Lower Bulkhead  
XP-10229

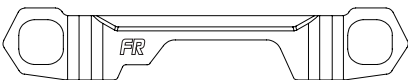
Flat Head Screw M3 x 8mm  
XP-40048

Flat Head Screw M3 x 6mm  
XP-40046

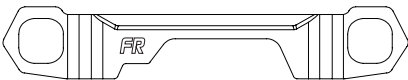
### Optional



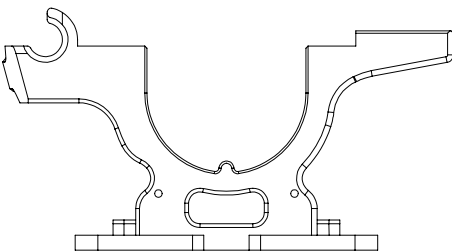
Lower Suspension Mount Spacer 0.5mm  
XP-10726



Aluminum FR One Piece Suspension Mount  
XP-10637

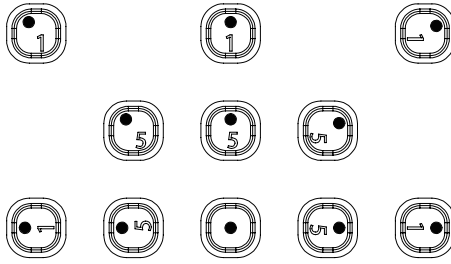


Brass FR One Piece Suspension Mount  
XP-10638



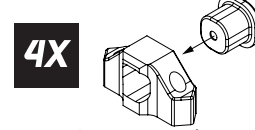
Alu Lower Bulkhead  
XP-10115

Optional



### Diagonal Offset

Use either 0.5 or 1mm to shift the roll center in a diagonal direction from the center.

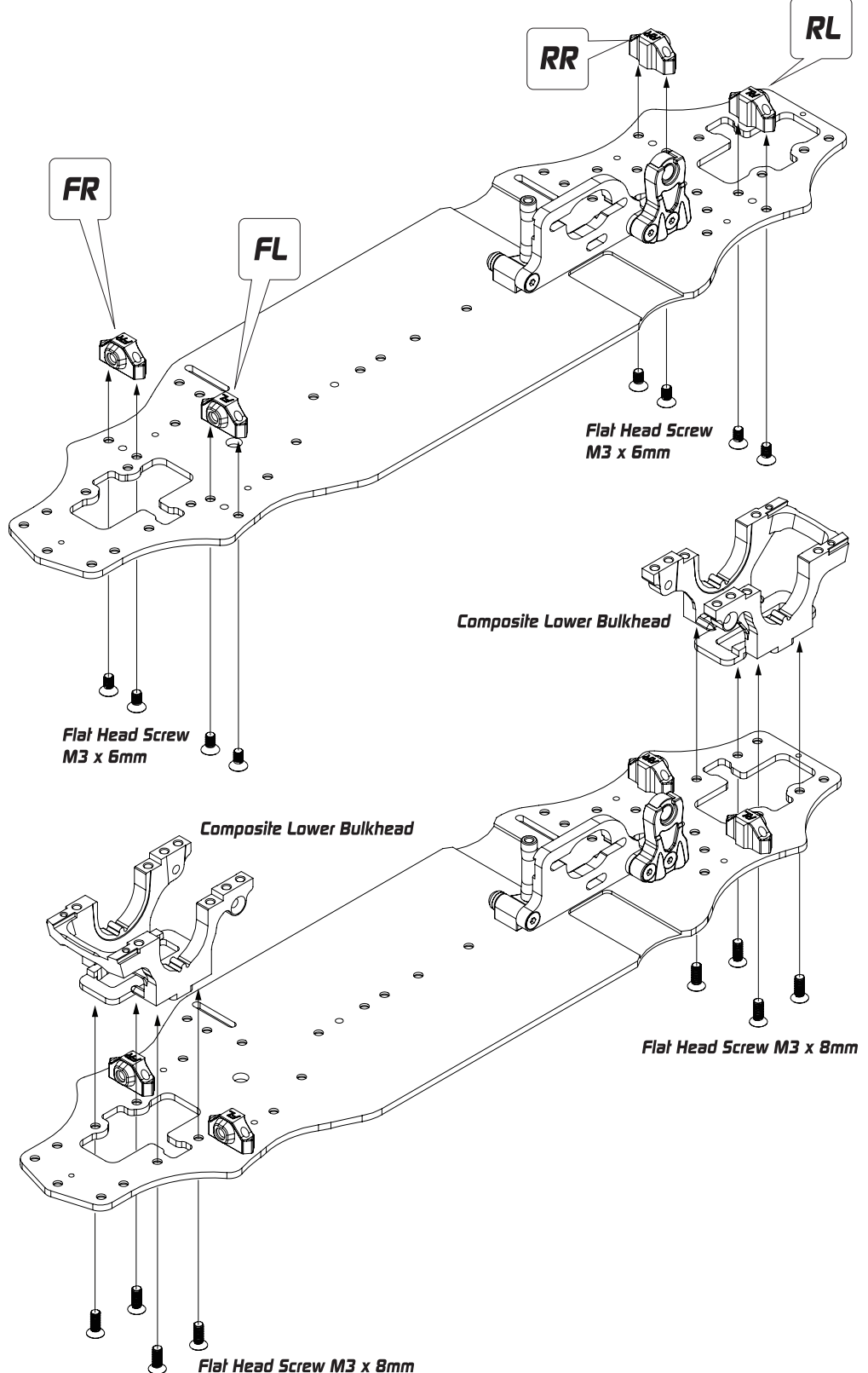


4X Eccentric Bushing Set  
XP-10127

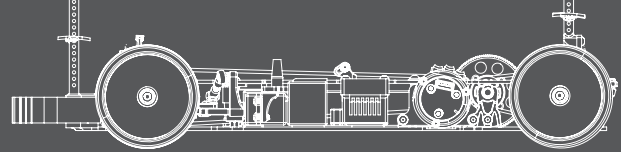
Alu Lower 2-Piece Suspension Holder XP-10123

### Horizontal Offset

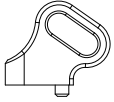
Choice of either 0.5 or 1mm offset from center







**Bag E , K , FRP , HW D , E , K**



**Belt Tensioner**  
XP-10163



**Bearing 3 x 6 x 2.5mm**  
XP-40060



**Spacer 3 x 5 x 0.2mm**  
XP-40066



**Round Head Screw M3 x 6mm**  
XP-40037



**Round Head Screw M3 x 8mm**  
XP-40038



**Round Head Screw RM3 x 16mm**  
XP-40042



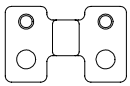
**Flat Head Screw M3 x 6mm**  
XP-40046



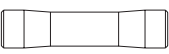
**Flat Head Screw M3 x 8mm**  
XP-40048



**Nut 3 x 5.5mm**  
XP-40067



**Composite Upper Deck Stiffener**  
XP-10643 Optional XP-10566



**XQ15 Aluminum Center Post**  
XP-10259



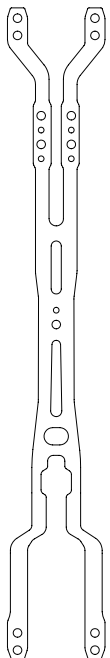
**Composite Upper Deck Collar For Flex Elimination**  
XP-10739 Optional XP-10683



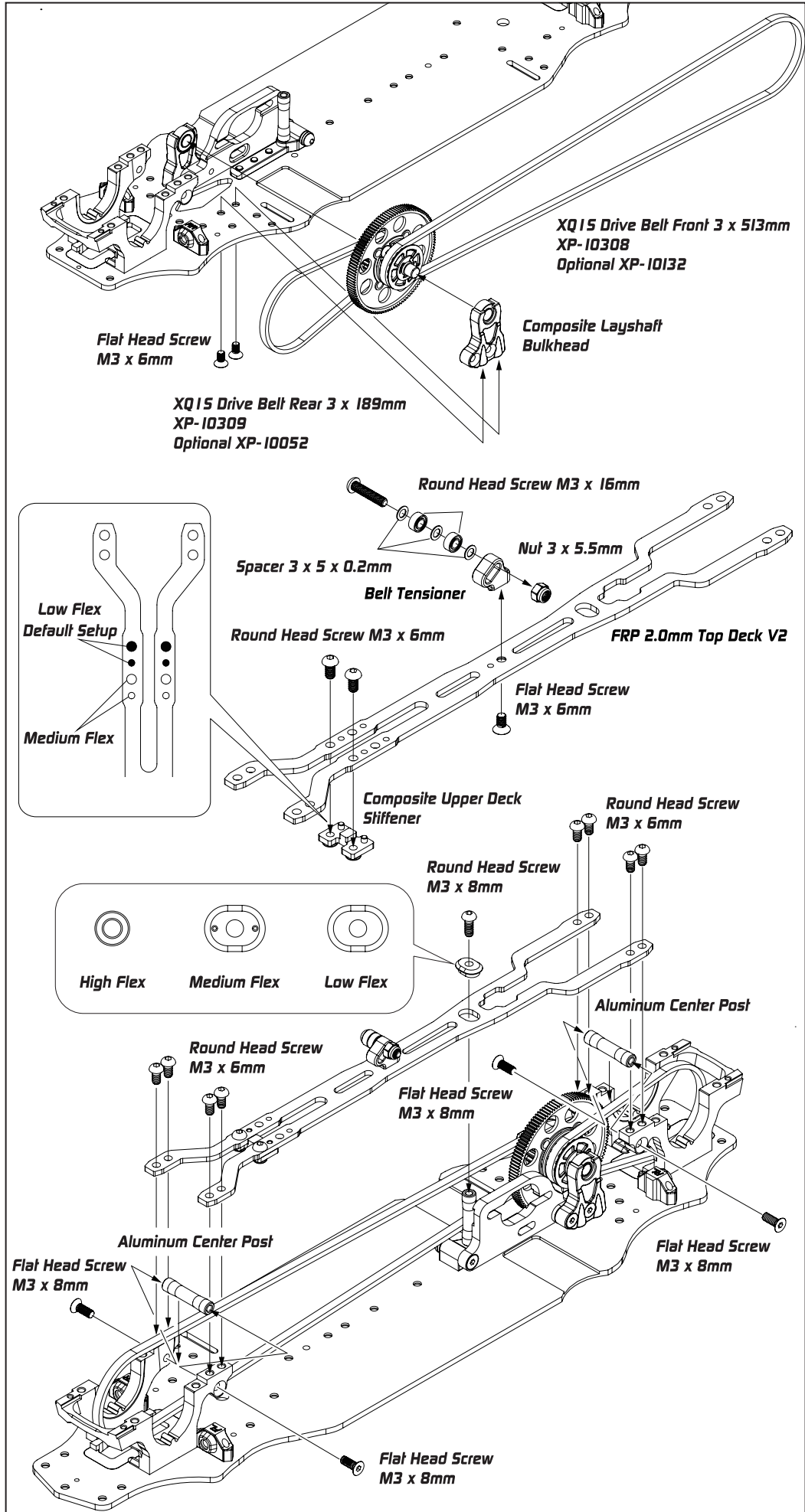
**Bearing 3 x 6 x 2.5mm**  
XP-40060

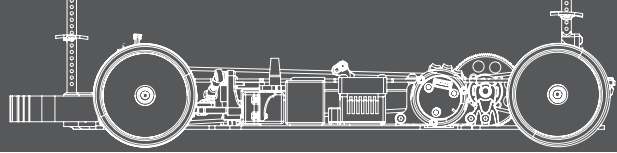


**Composite Upper Deck Collar For Flex Elimination**  
XP-10739 Optional XP-10683

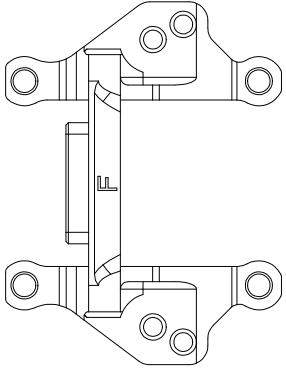


**FRP 2.0mm Top Deck V2**  
XP-10595  
Optional XP-10820

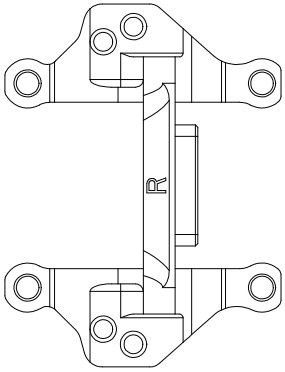




Bag H, HW K



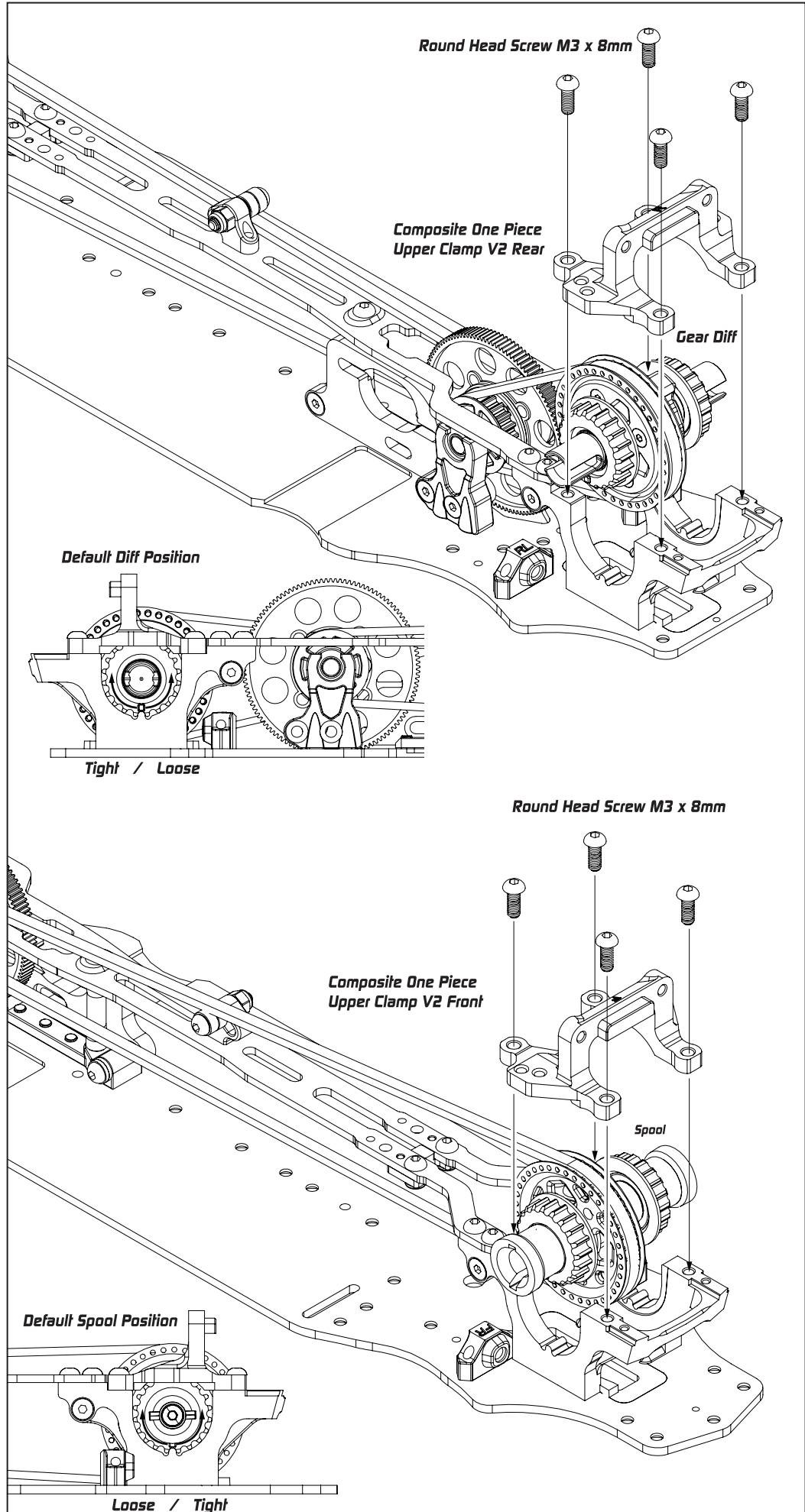
Composite One Piece Upper Clamp V2 Front  
XP-10699 Optional XP-10104

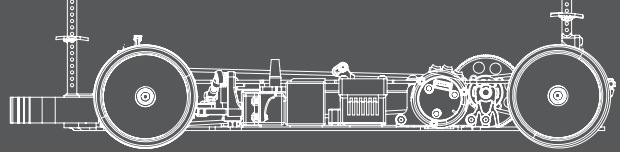


Composite One Piece Upper Clamp V2 Rear  
XP-10699 Optional XP-10130



Round Head Screw M3 x 8mm  
XP-40038





### Bag F , HW K



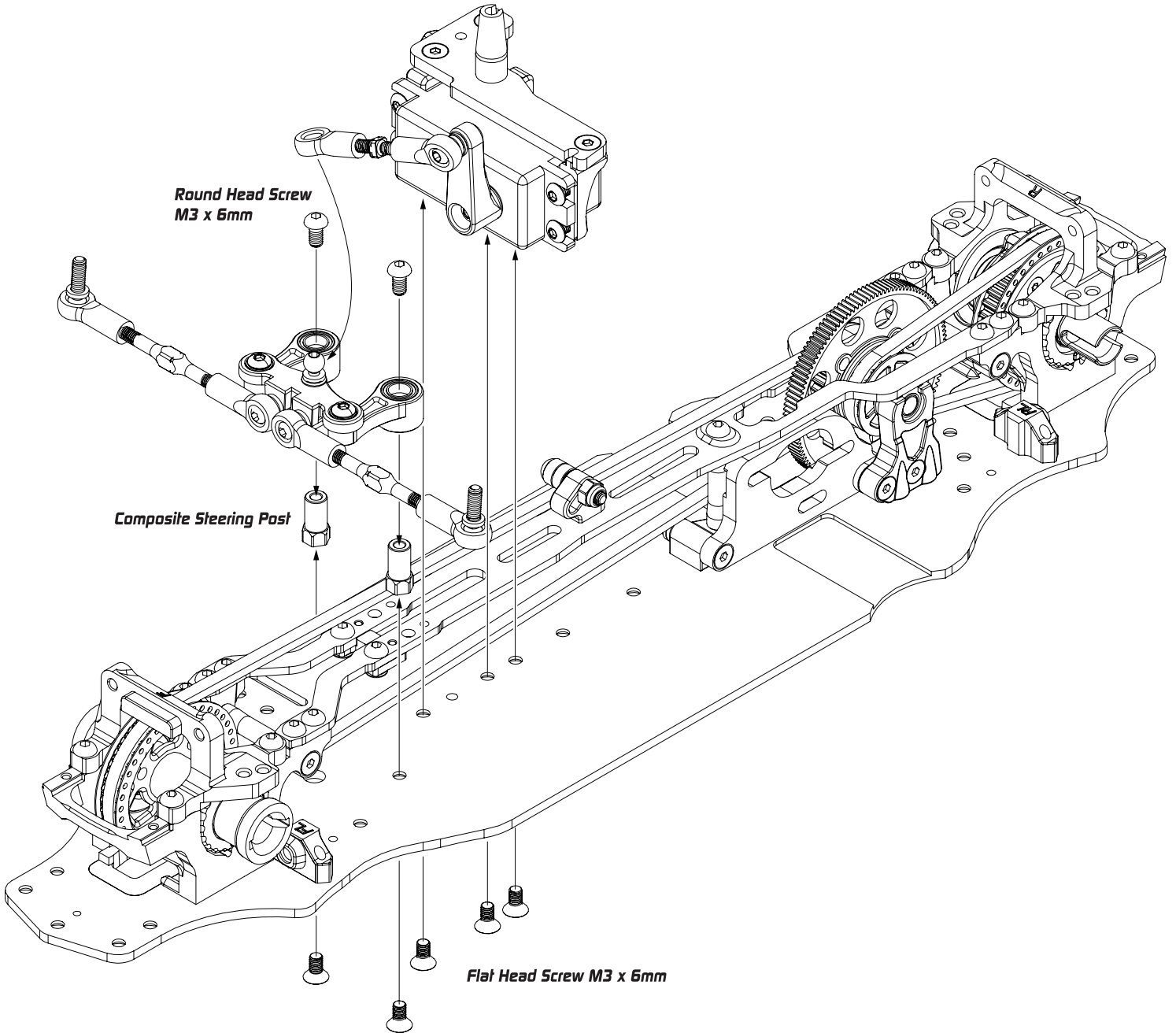
Composite Steering Post  
For Dual Servo Saver 11.5mm  
XP-10740



Flat Head Screw M3 x 6mm  
XP-40046



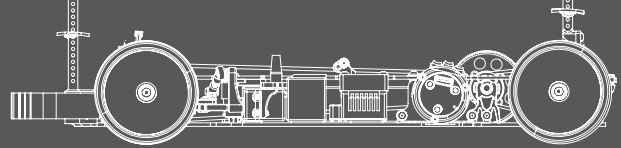
Round Head Screw M3 x 6mm  
XP-40037



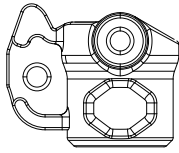
### Optional



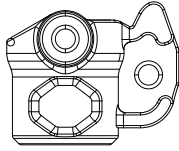
Aluminum Steering Post  
For Dual Servo Saver 11.5mm  
XP-10494



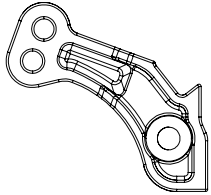
Bag E, J, HW F, H, I and HW K



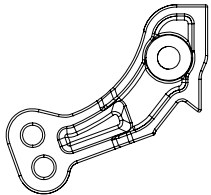
**Composite Steering Block Right**  
XP-10109  
Optional XP-10247



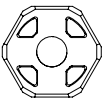
**Composite Steering Block Left**  
XP-10109  
Optional XP-10247



**Composite Steering Block Plate Right**  
XP-10109  
Optional XP-10247



**Composite Steering Block Plate Left**  
XP-10109  
Optional XP-10247



**Composite Wheel Hub**  
XP-10262  
Optional XP-10129, XP-20015, XP-20016



**Bearing 5 x 10 x 4mm**  
XP-40064



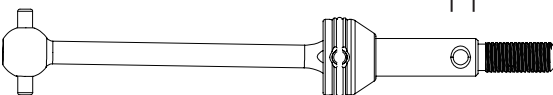
**Pin 2 x 9.8mm**  
XP-40069



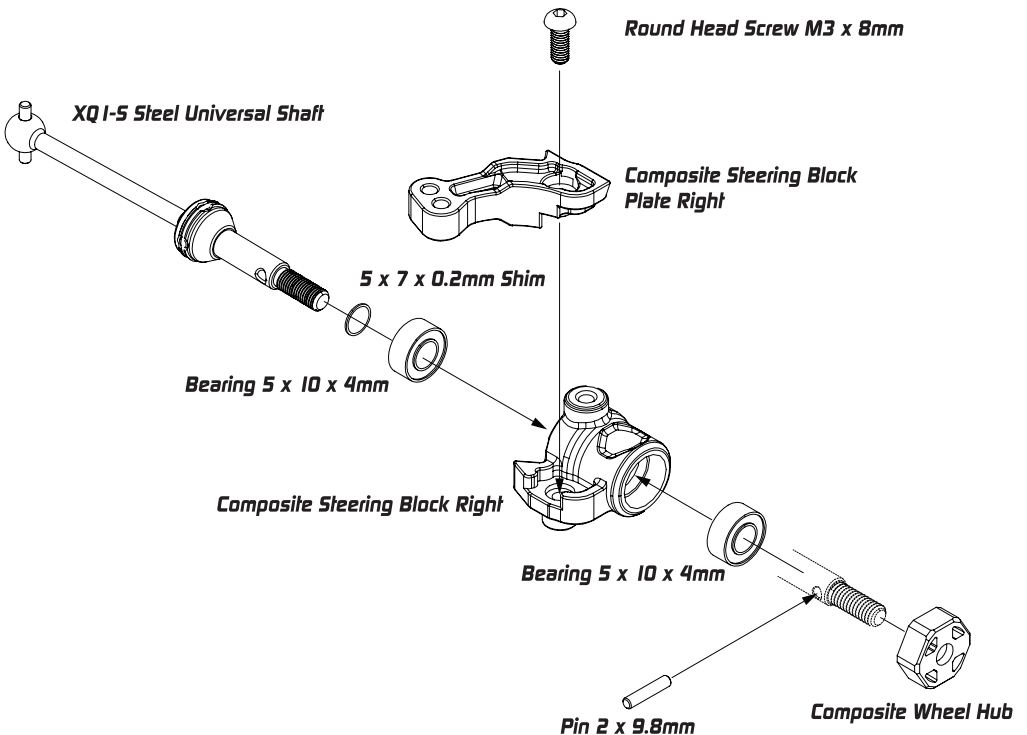
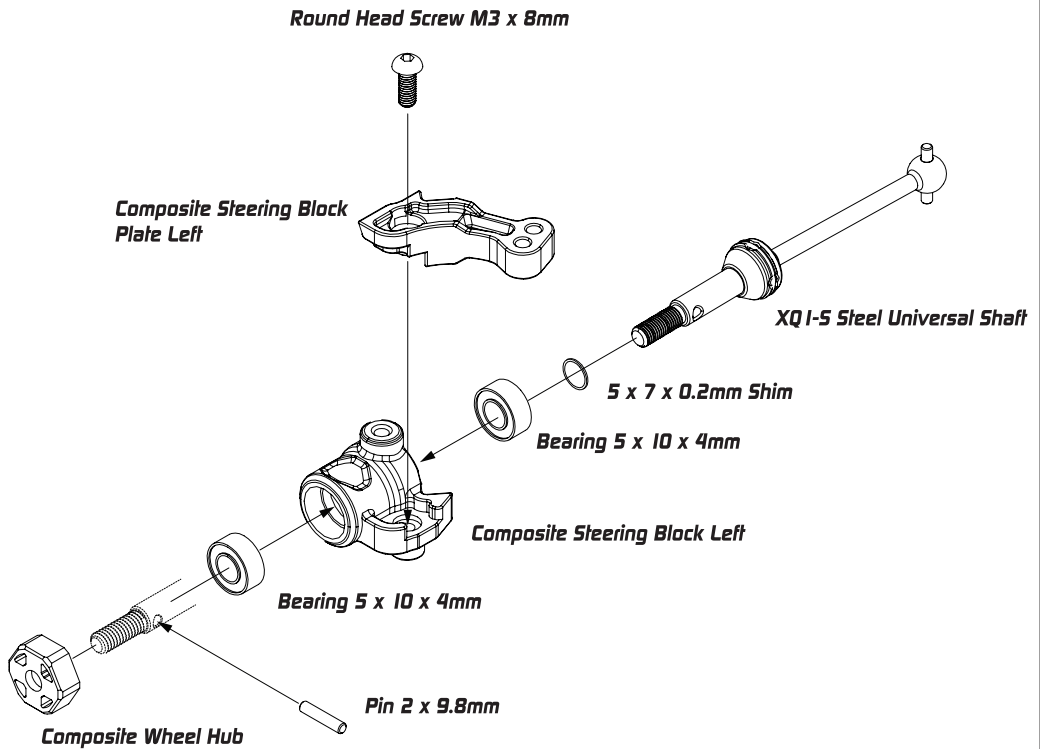
**Round Head Screw M3 x 8mm**  
XP-40038

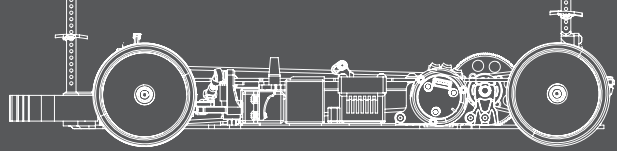


**5 x 7 x 0.2mm Spacer**  
XP-10376

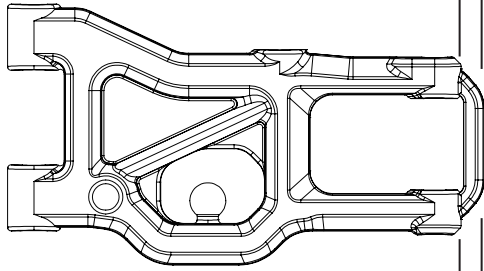


**XQ I-5 Steel Universal Shaft**  
XP-10244  
Optional XP-10166, XP-10167, XP-10334

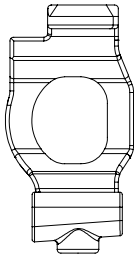




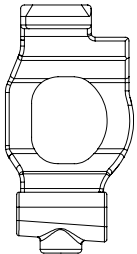
**Bag J , L , HW I and HW K**



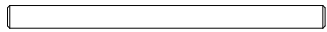
**Front Composite Suspension Arm (Strong)**  
XP-10603 Optional XP-10597 (Strong Hard)



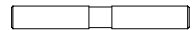
**Composite C Hub 4 Degree L (Strong V2)**  
XP-10400  
Optional XP-10810



**Composite C Hub 4 Degree R (Strong V2)**  
XP-10400  
Optional XP-10810



**Suspension Pivot Pin 3 x 42mm**  
XP-10139



**3mm Outer Suspension Pin w/ Groove**  
XP-10602



**Set Screw M3 x 3mm**  
XP-40052

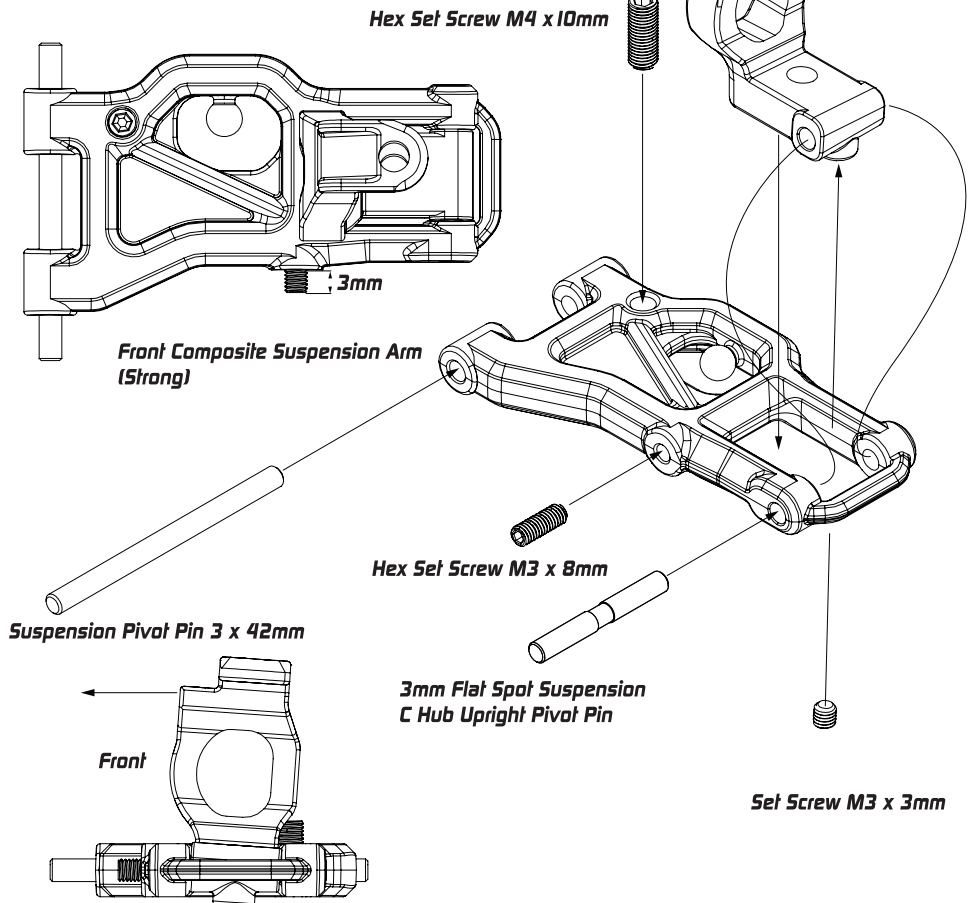
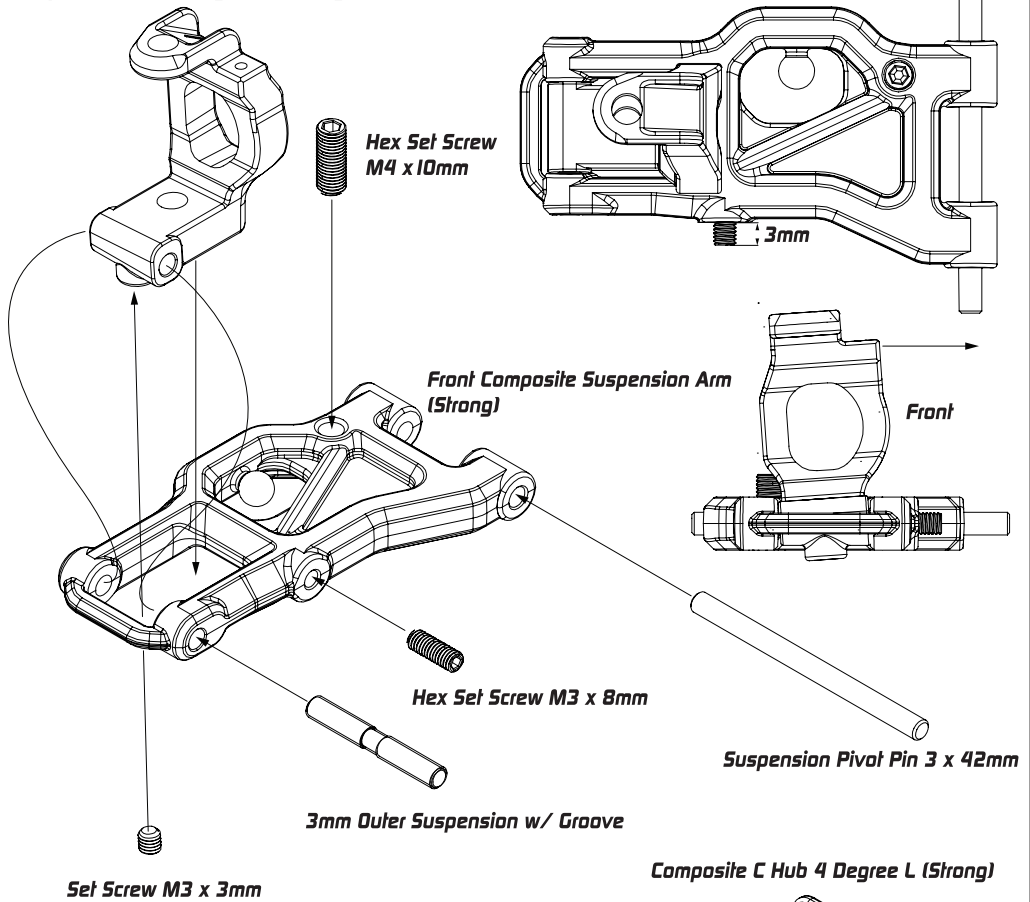


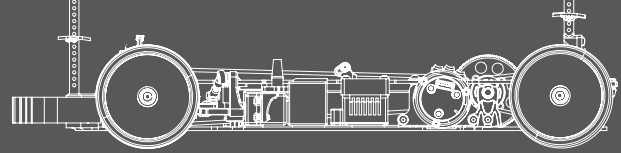
**Hex Set Screw M4 x 10mm**  
XP-40056



**Hex Set Screw M3 x 8mm**  
XP-40054

**Composite C Hub 4 Degree R (Strong)**

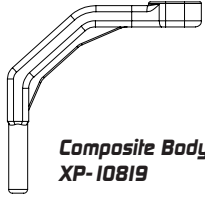




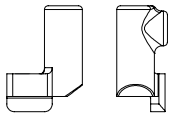
### HW G

 **King Pin Collar V2**  
XP-10401

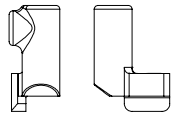
 **King Pin V2**  
XP-10401



**Composite Body Support Brace**  
XP-10819



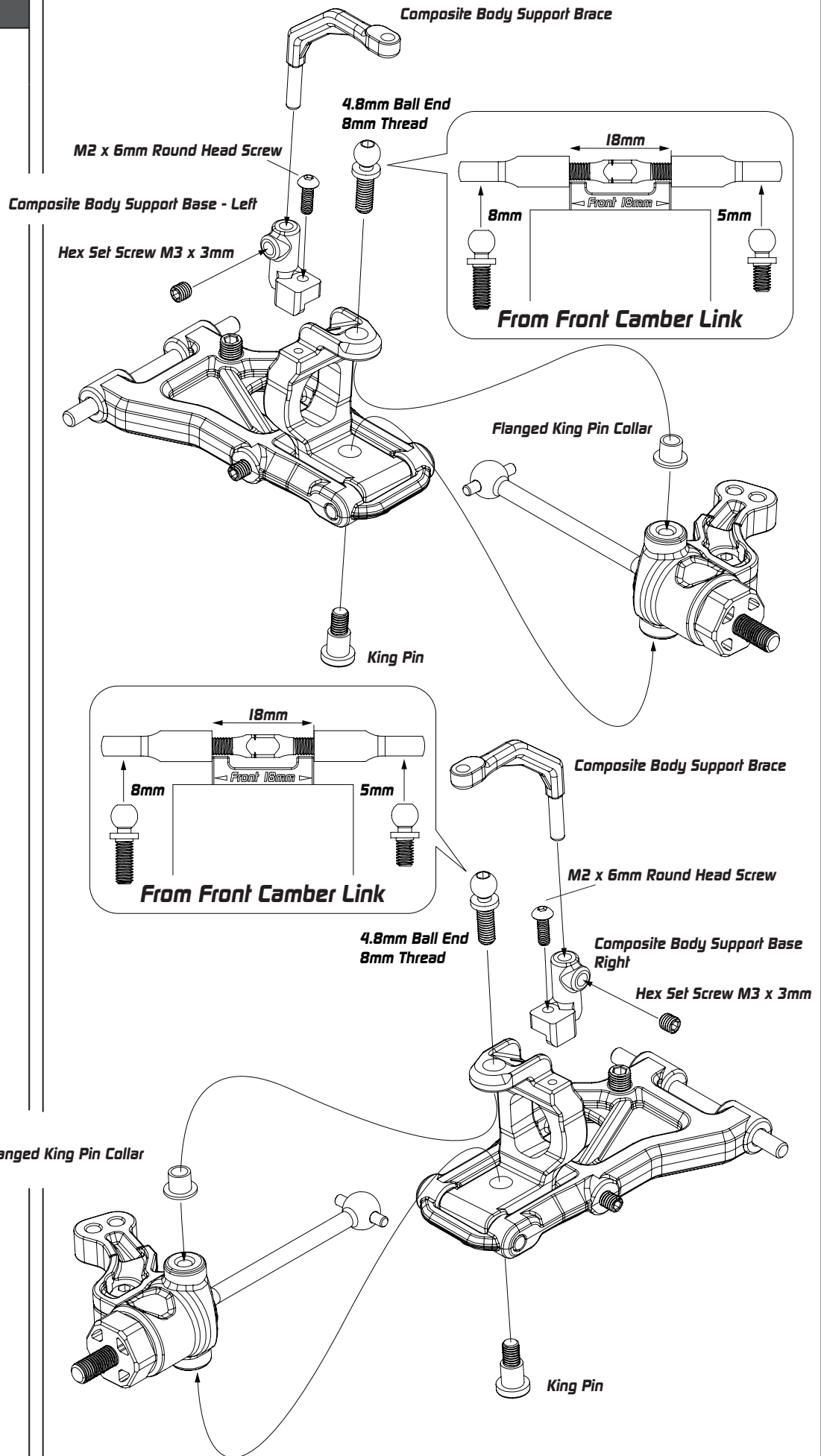
**Composite Body Support Base - Left**  
XP-10819

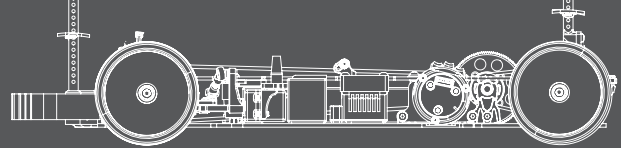


**Composite Body Support Base - Right**  
XP-10819

 **Hex Screw Round Head M2 x 6mm**  
XP-40100

 **Set Screw M3 x 3mm**  
XP-40052





### Bag G, I, HW K



Flat Head Screw M3 x 6mm  
XP-40046



Composite Suspension Mount - FF  
XP-10260



3 x 5.5 x 1mm Composite Spacer  
XP-10261

Optional



**Diagonal Offset**  
Use either 0.5 or 1mm to shift the roll center in a diagonal direction from the center.



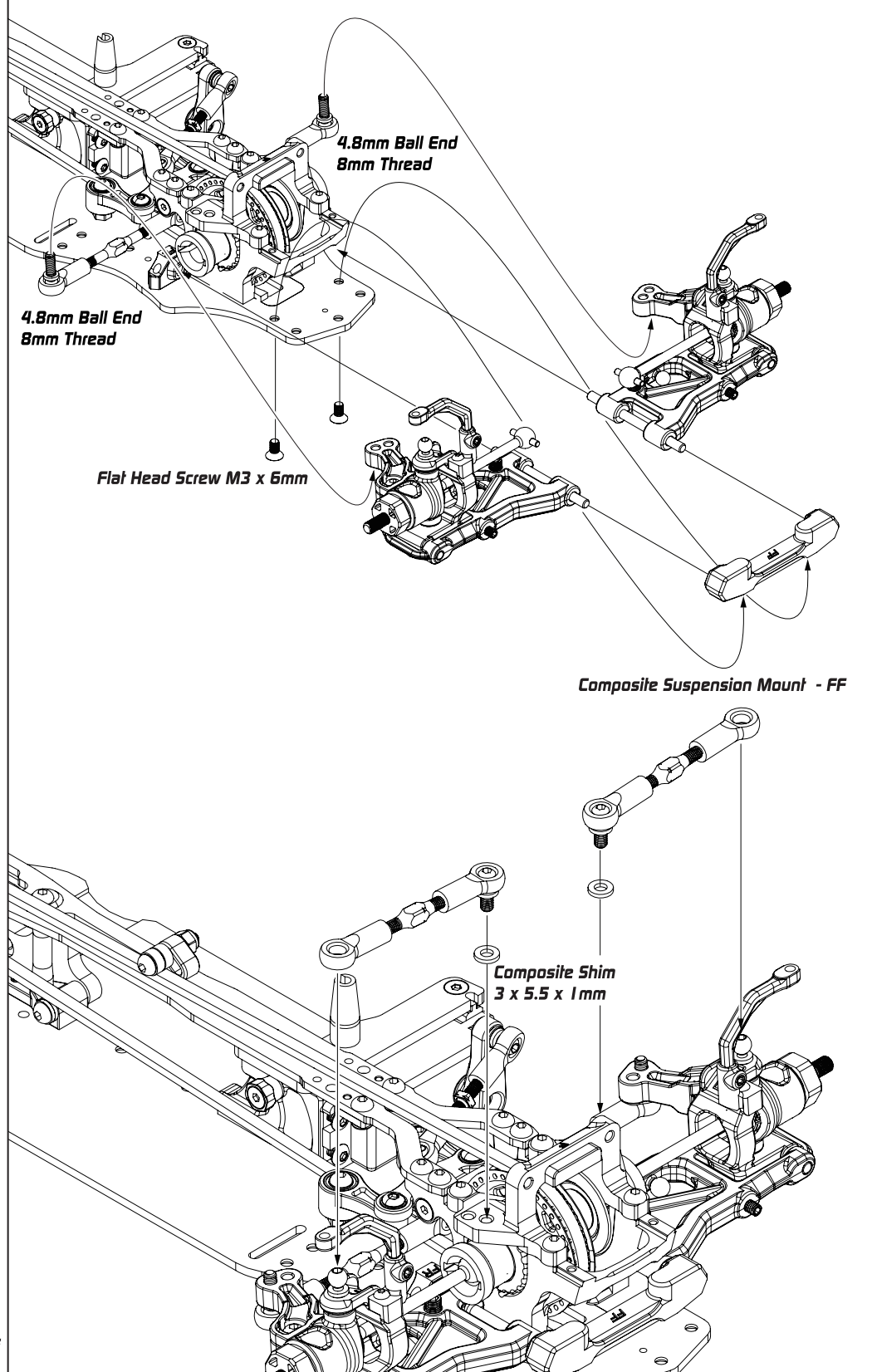
**Eccentric Bushing Set**  
XP-10127

**Alu Front Lower 1-Piece Suspension Holder - FF**  
XP-10114

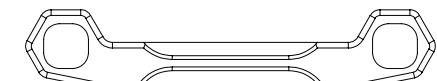


Default Setup

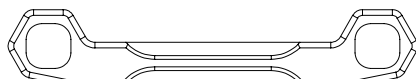
**Horizontal Offset**  
Choice of either 0.5 or 1mm offset from center



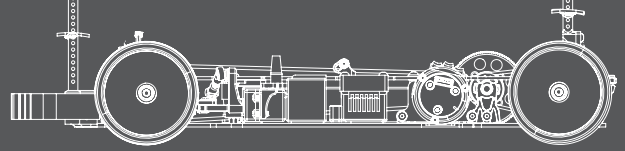
### Optional



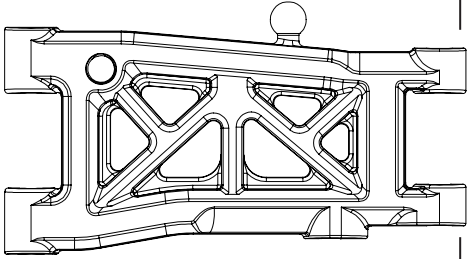
Alu Front Lower 1-Piece Suspension Holder - FF  
XP-10114



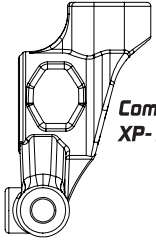
Brass Front Lower 1-Piece Suspension Holder - FF  
XP-10199



Bag K, L, HW F, H, I, K



**Composite Suspension Rear (Strong)**  
XP-10606 Optional XP-10597



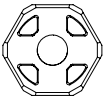
**Composite Rear Upright (Strong) V2**  
XP-10689 Optional XP-10822



**Driveshaft Protector Blade**  
XP-10128



**Bearing 5 x 10 x 4mm**  
XP-40064



**Composite Wheel Hub**  
XP-10262  
Optional XP-20015, XP-20016,  
XP-10129



**Pin 2 x 9.8mm**  
XP-40069



**Suspension Pivot Pin 3 x 42mm**  
XP-10139



**3mm Outer Suspension Pin w/ Groove**  
XP-10602



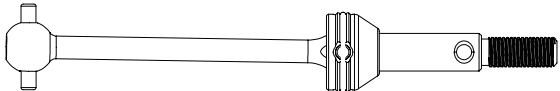
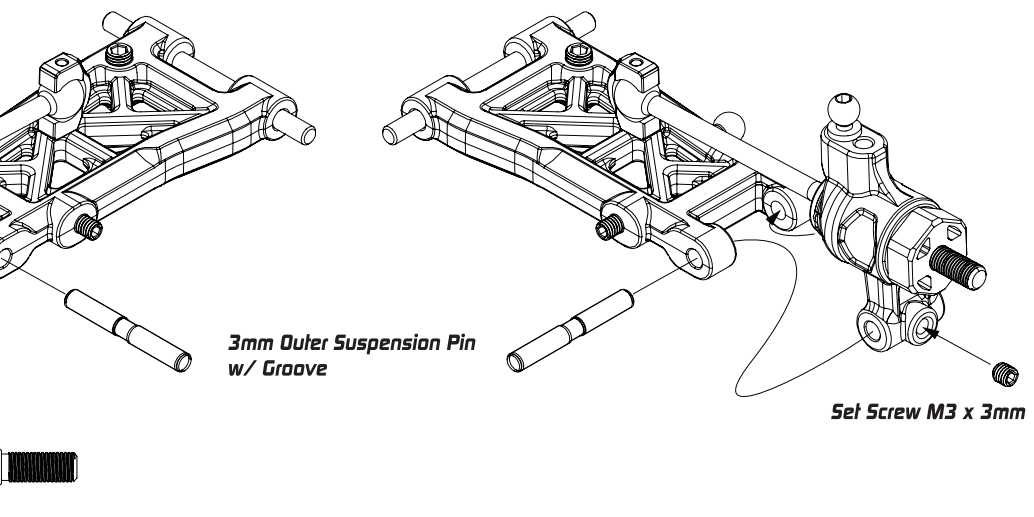
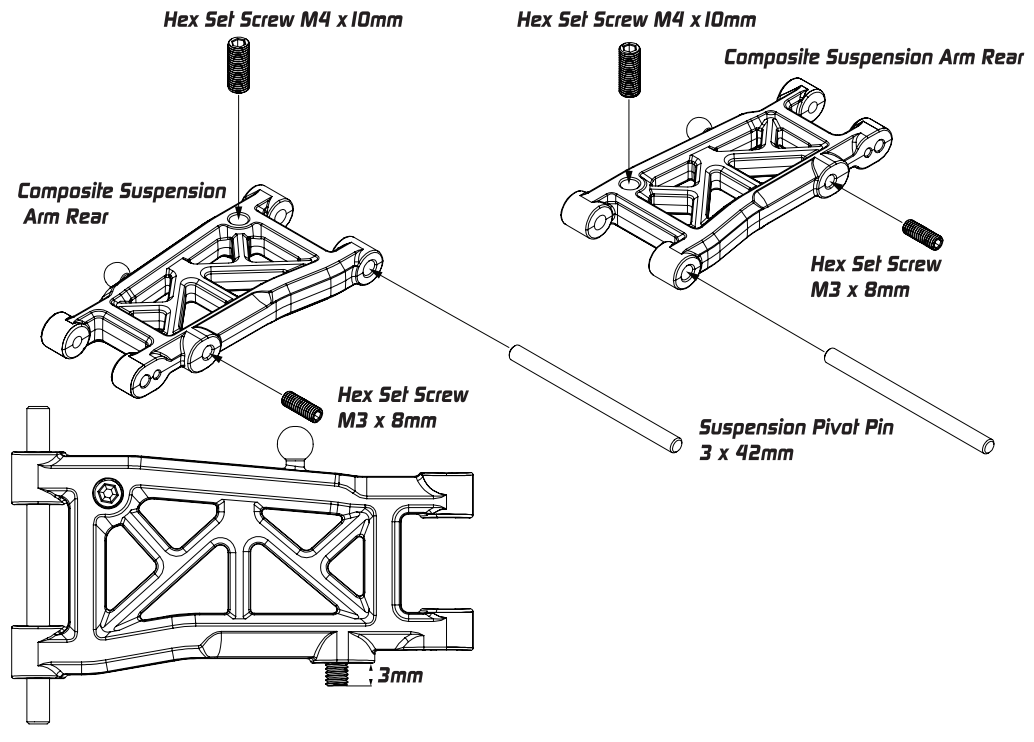
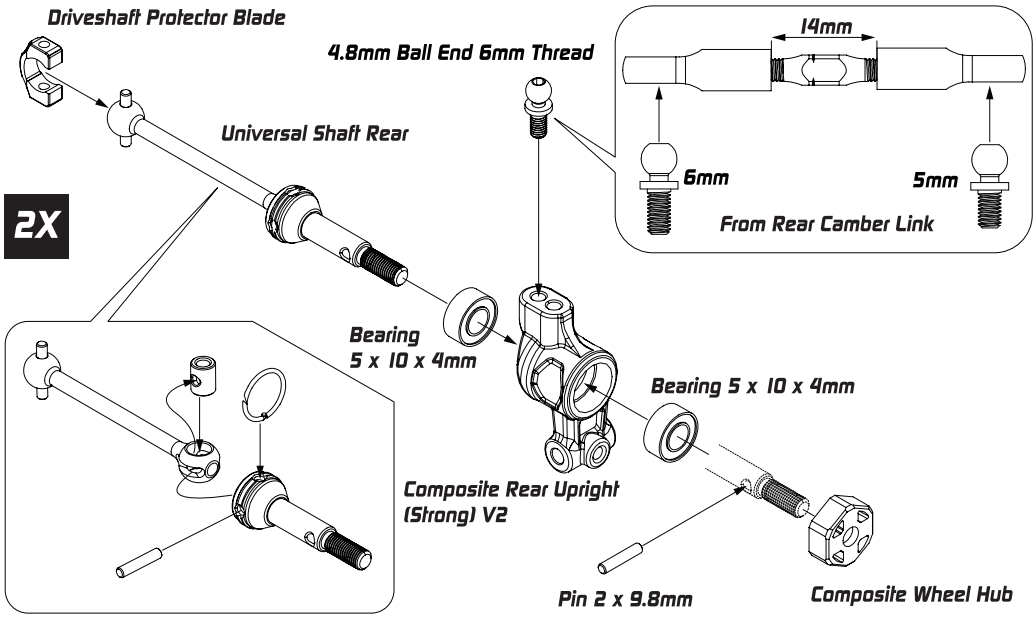
**Set Screw M3 x 3mm**  
XP-40052



**Hex Set Screw M3 x 8mm**  
XP-40054

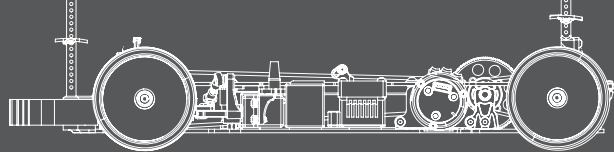


**Hex Set Screw M4 x 10mm**  
XP-40056



**XQ1-S Steel Universal Shaft**  
XP-10244 Optional XP-10167





**Bag G , I , HW K**



**Composite Suspension Mount - RR**  
XP-10260



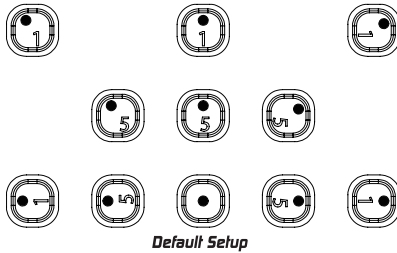
**Flat Head Screw FM3 x 6mm**  
XP-40046



**Composite Shim 3 x 5.5 x 1 mm**

**Composite Suspension Mount - RR**

**Optional**

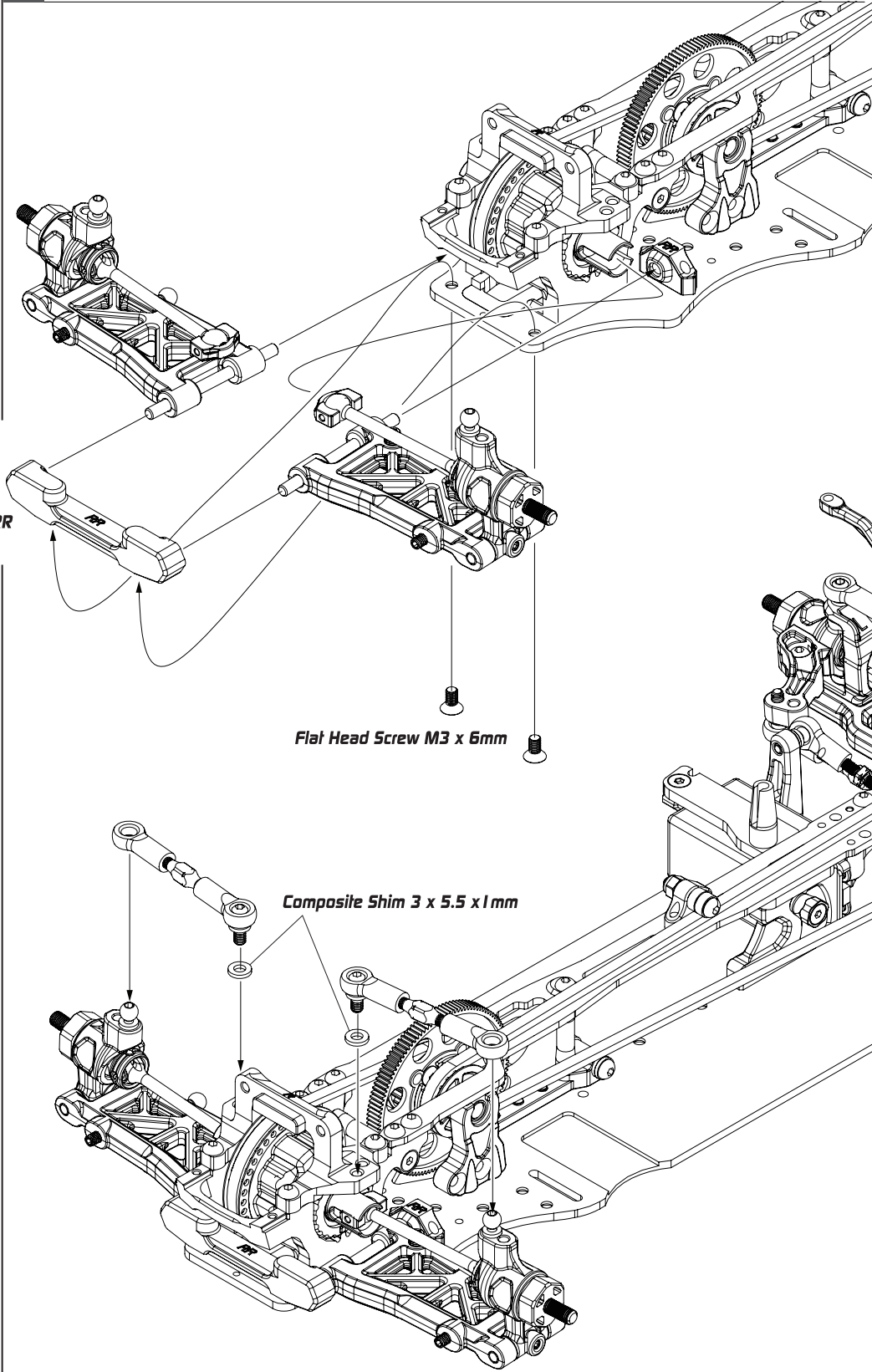


**Diagonal Offset**  
Use either 0.5 or 1 mm to shift the roll center in a diagonal direction from the center.

**Alu Rear Lower 1-Piece Suspension holder - RR**  
XP-10124

**Horizontal Offset**  
Choice of either 0.5 or 1 mm offset from center

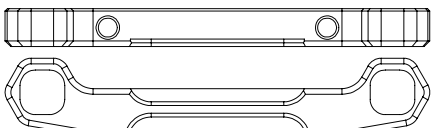
**Eccentric Bushing Set**  
XP-10127



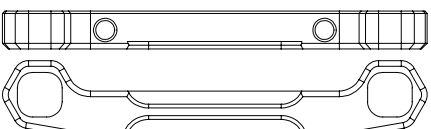
**Flat Head Screw M3 x 6mm**

**Composite Shim 3 x 5.5 x 1 mm**

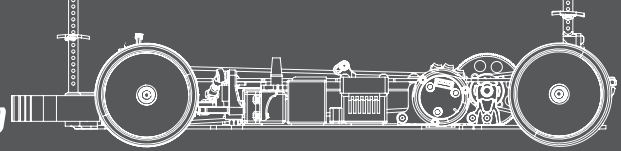
**Optional**



**Alu Rear Lower 1-Piece Suspension holder - RR**  
XP-10124

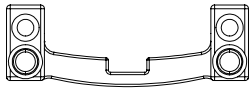


**Brass Rear Lower 1-Piece Suspension holder - RR**  
XP-10200



Bag H and HW K

Optional XP-10326

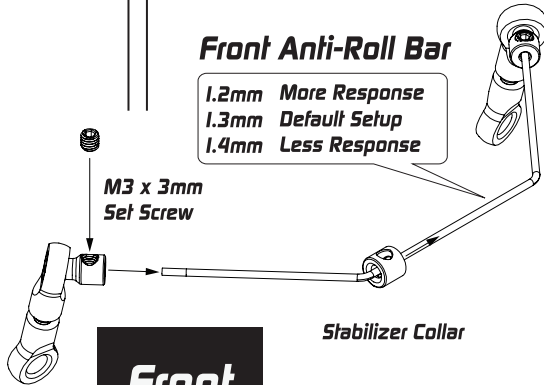


Anti-Roll Bar Mount XP-10230

M3 x 3mm Set Screw XP-40052



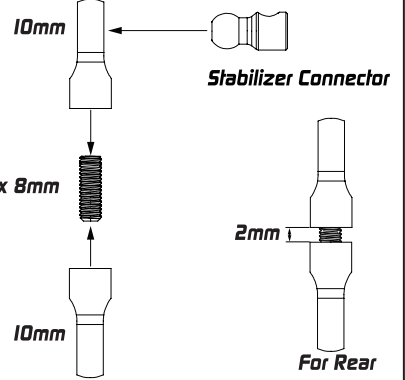
Cap Hex Screw 2x5mm XP-40034



**Front**

**4X**

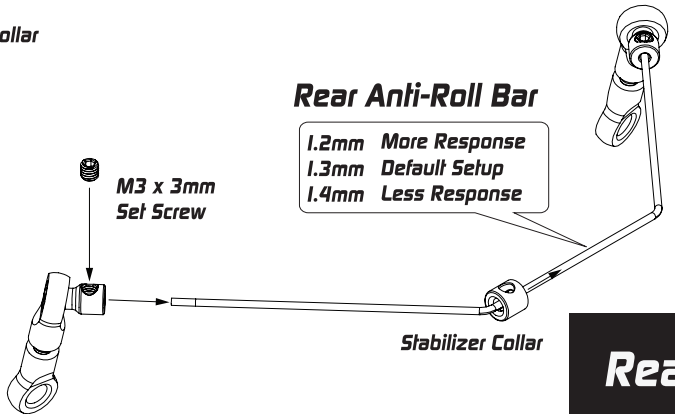
For Anti-Roll Bar



**Rear Anti-Roll Bar**

1.2mm More Response  
1.3mm Default Setup  
1.4mm Less Response

M3 x 3mm Set Screw



**Rear**

M3 x 3mm Set Screw

Cap Hex Screw 2x5mm

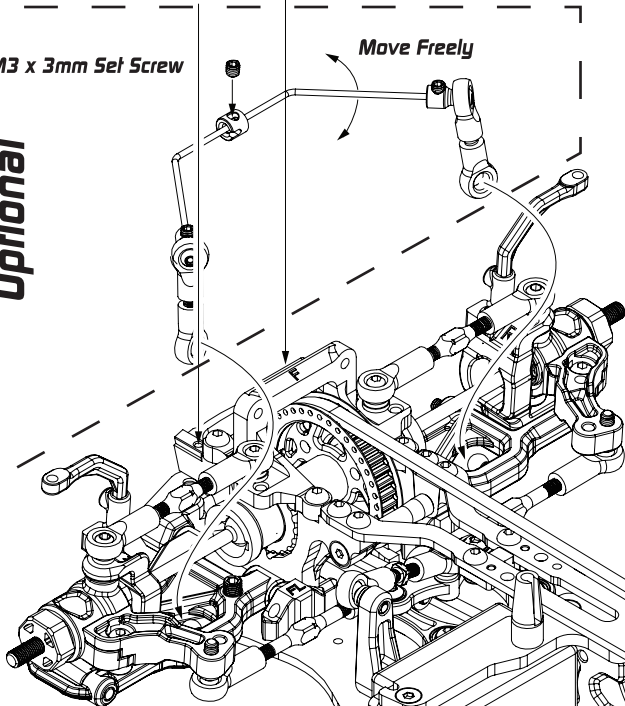
Cap Hex Screw 2x5mm

Anti-Roll Bar Mount

M3 x 3mm Set Screw

Move Freely

**Optional**



Cap Hex Screw 2x5mm

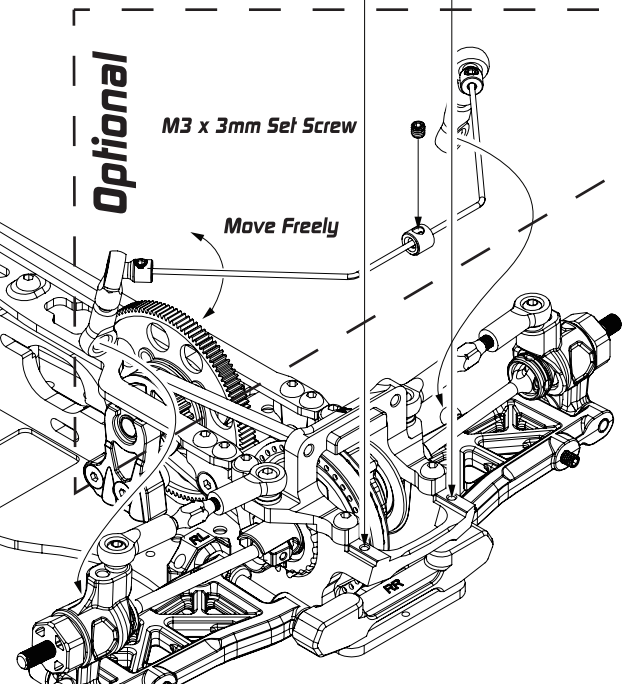
M3 x 3mm Set Screw

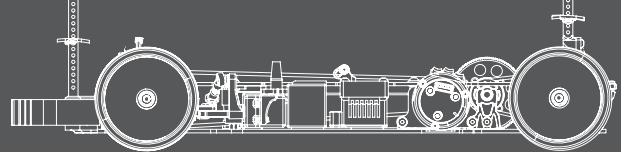
Anti-Roll Bar Mount

M3 x 3mm Set Screw

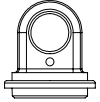
Move Freely

**Optional**

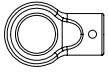




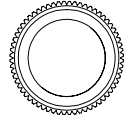
### Bag L and HW J



Long Travel Short Shock Composite Shock Top Connector (Black) XP-10396



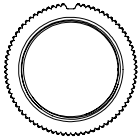
Long Travel Short Shock Lower Connector (Black) XP-10396



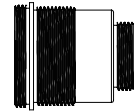
Alu Upper Short Shock Cap XP-10397



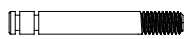
Alu Lower Short Shock Cap XP-10398



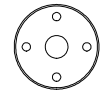
Alu Short Shock Spring Tension Adjust Nut XP-10399



Composite Short Shock Body XP-10596



Short Shock Shaft XP-10582



4 Hole Piston XP-10159



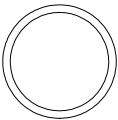
Shock Absorber Membrane XP-10147



E-Clip 2.5mm XP-40057



Shock O-Ring XP-10160



O Ring For Short Shock Spring Adjust Nut XP-10607

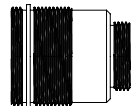


Shaft Cover XP-10159

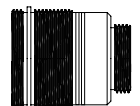
### Optional



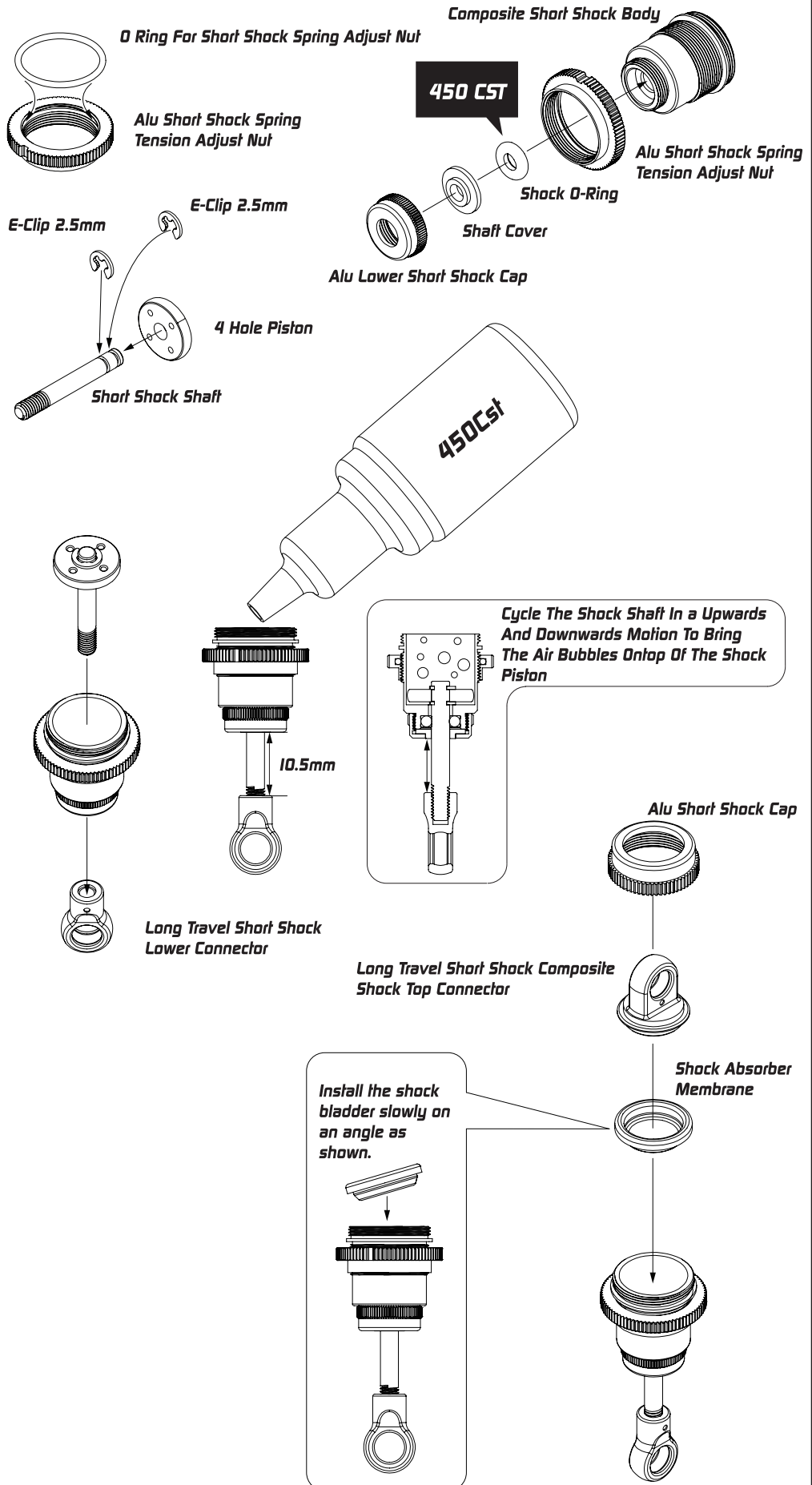
Shock X-Ring XP-10601

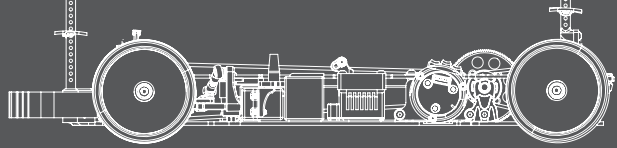


Long Travel Aluminum Short Shock Body XP-10725

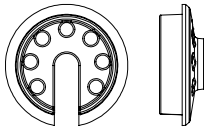


Progressive Aluminum Short Shock Body XP-10718

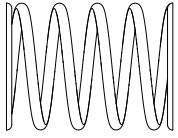




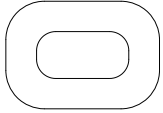
Bag L, FRP, HW I and HW K



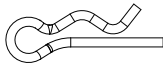
Short Spring Retainer (Black) XP-10396



Shock Spring Medium Silver XP-10169  
Optional XP-10168 (Soft)  
XP-10170 (Stiff)



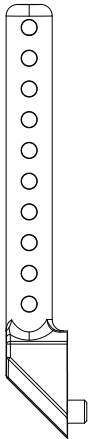
Body Height Adjuster Support XP-10561



Body Clip XP-10055



Round Head Screw M3 x 6mm XP-40037



Rear Body Post XP-10561



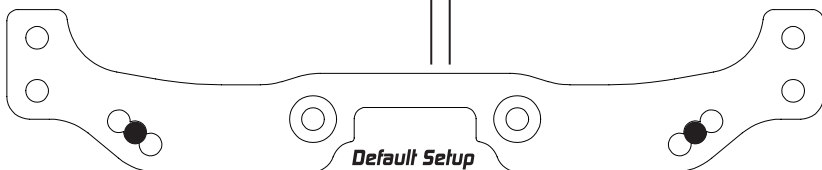
Pivot Ball 5.5 mm XP-10121



Round Head Screw M3 x 8mm XP-40038

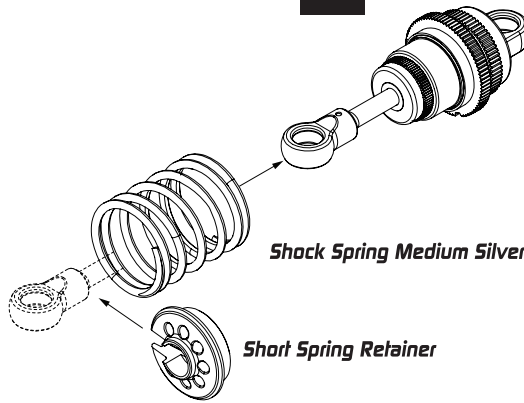


Flat Head Screw M3 x 8mm XP-40048



FRP 3.0mm Rear Shock Tower (Short Shock) XP-10792 Optional XP-10609

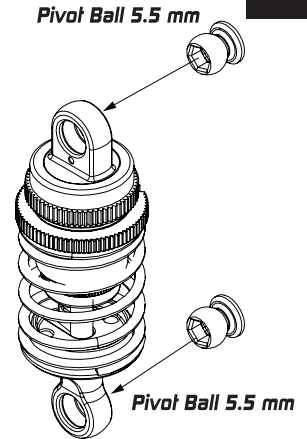
4X



Shock Spring Medium Silver

Short Spring Retainer

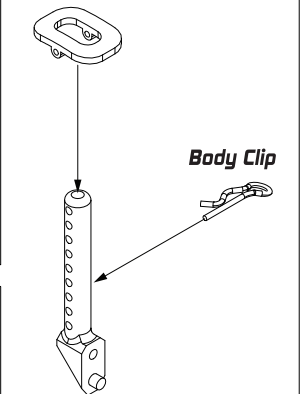
4X



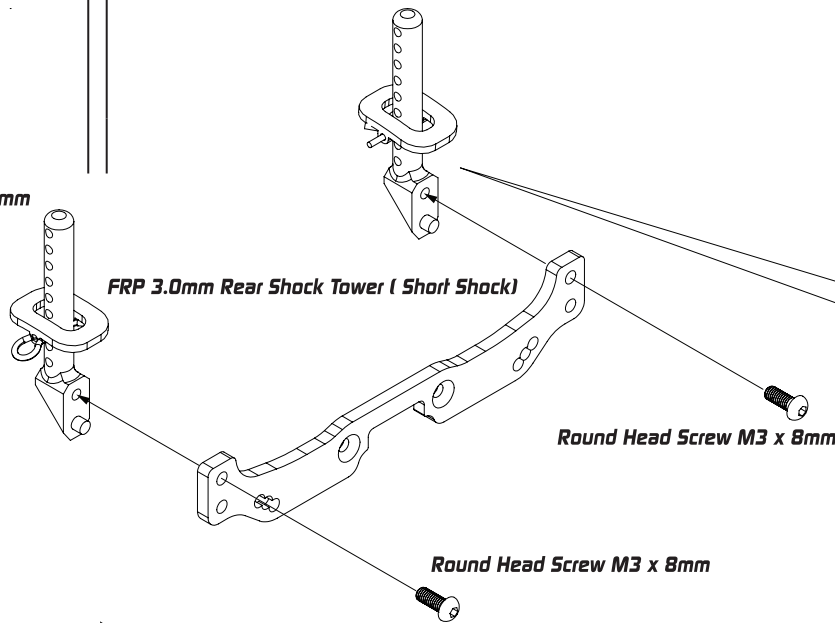
Pivot Ball 5.5 mm

Pivot Ball 5.5 mm

Body Height Adjuster Support



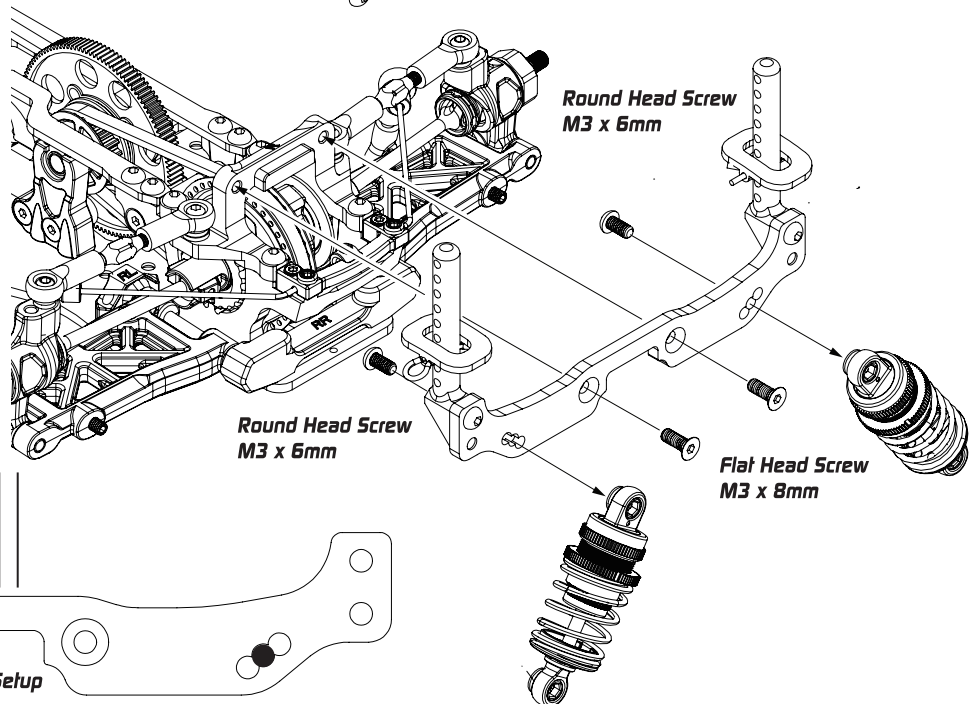
Body Clip



FRP 3.0mm Rear Shock Tower (Short Shock)

Round Head Screw M3 x 8mm

Round Head Screw M3 x 8mm

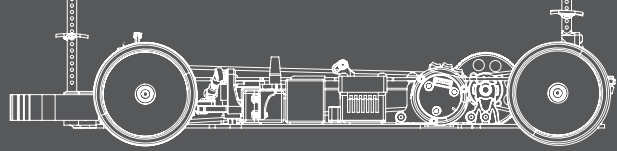


Round Head Screw M3 x 6mm

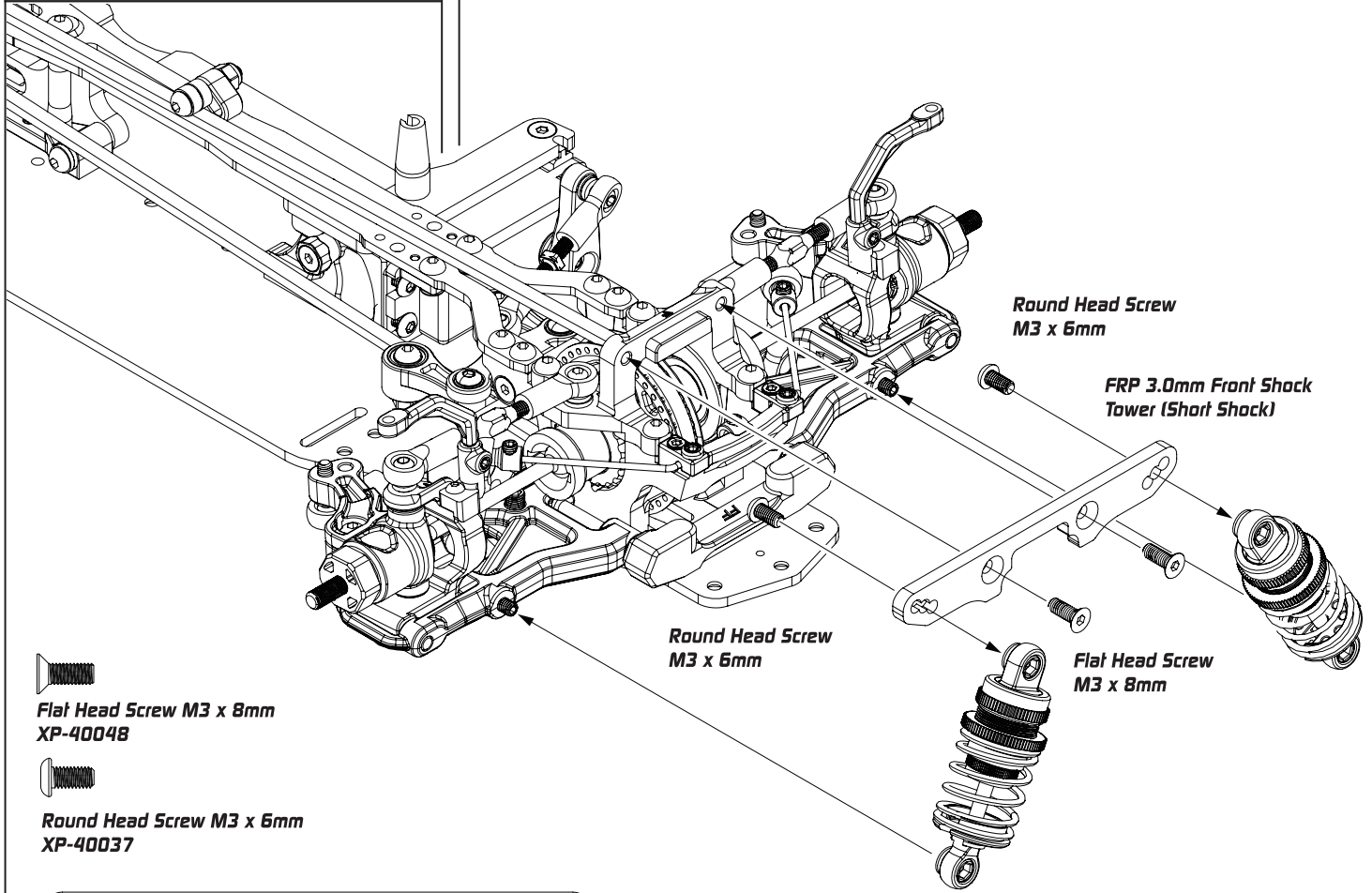
Round Head Screw M3 x 6mm

Flat Head Screw M3 x 8mm

Default Setup



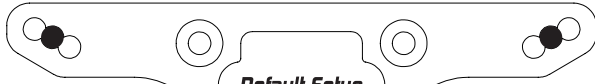
Bag L , FRP and HW K



Flat Head Screw M3 x 8mm  
XP-40048



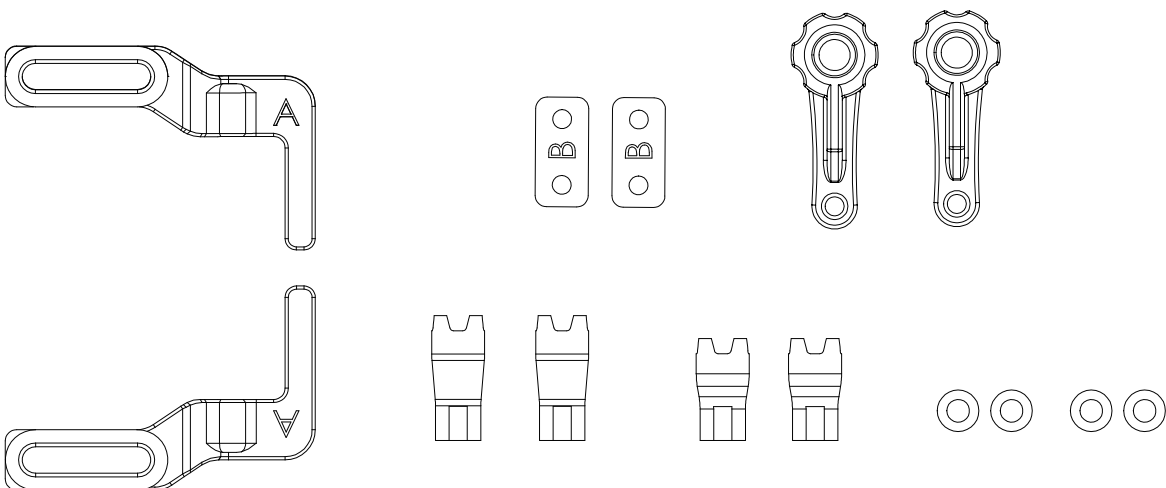
Round Head Screw M3 x 6mm  
XP-40037

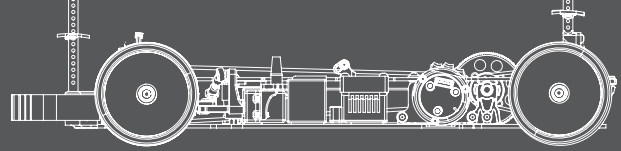


Default Setup

FRP 3.0mm Front Shock Tower ( Short Shock)  
XP-10791 Optional XP-10608

### Prepare These Composite Battery Holder From Bag O

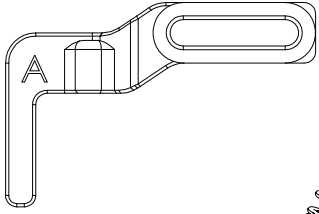




### Bag O and HW K



Composite Battery Holder Base A Back XP-10717



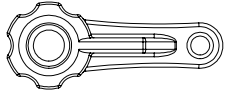
Composite Battery Holder Base A Front XP-10717



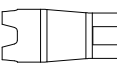
Composite Battery Adaptor B XP-10717



Hex Set Screw M3 x 4mm XP-40053



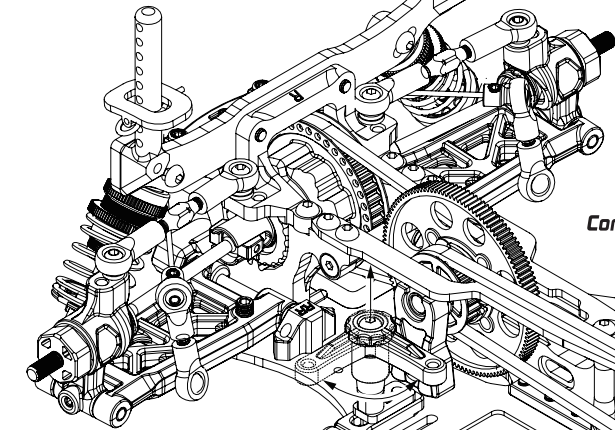
Composite Battery Holder XP-10717



Composite Battery Holder Post For Standard Battery XP-10717



Flat Head Screw M3 x 6mm XP-40046



Composite Battery Holder Post For LCG Battery XP-10717



Battery Holder Spring XP-10717



Battery Holder Post XP-10717



Round Head Screw M3 x 12mm XP-40040

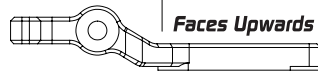


Flat Head Screw M3 x 8mm XP-40048

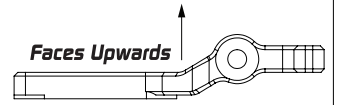


Flat Head Screw M3 x 14mm XP-40114

### Note The Direction



### Note The Direction



Composite Battery Adaptor B

Composite Battery Holder Base A Back

Composite Battery Adaptor B

Flat Head Screw M3 x 6mm

Composite Battery Holder Base A Front

Flat Head Screw M3 x 8mm

Flat Head Screw M3 x 14mm

Round Head Screw M3 x 12mm

Battery Holder Spring

Hex Set Screw M3 x 4mm

Battery Holder Post

Flat Head Screw M3 x 8mm

Flat Head Screw M3 x 14mm

Composite Battery Holder

Composite Battery Holder Post For Standard Battery

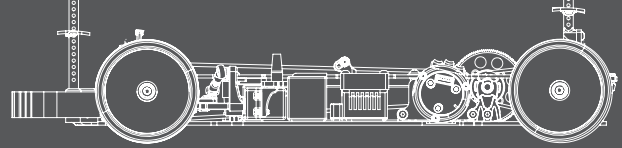
Composite Battery Holder Post For LCG Battery

Hold Battery Hook For Easier Installation

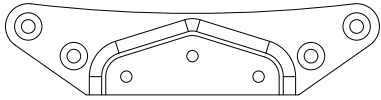
Pre-thread Post For Easy Installation



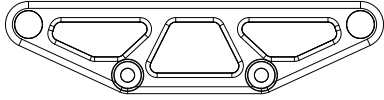
More Information On Next Page



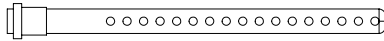
### Screw Bag



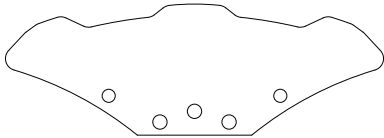
**Lower Bumper**  
XP-10561



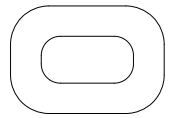
**Bumper Plate For Light Bumper**  
XP-10561 Optional XP-10243, XP-10387



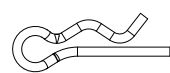
**Front Body Post**  
XP-10561



**Foam Bumper Light**  
XP-10562



**Body Height Adjuster Support**  
XP-10561



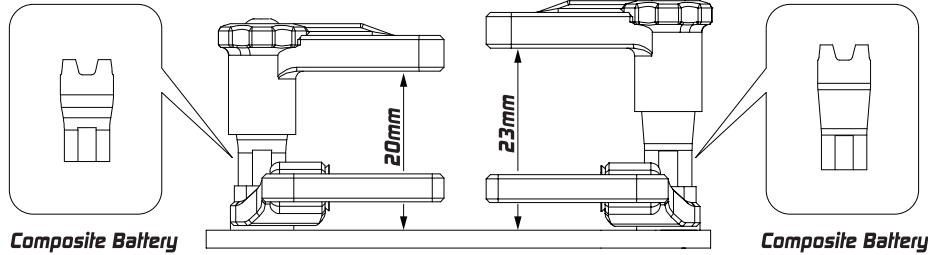
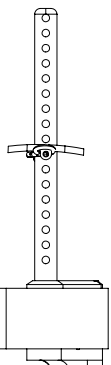
**Body Clip**  
XP-10055



**Flat Head Screw M3 x 10mm**  
XP-40049



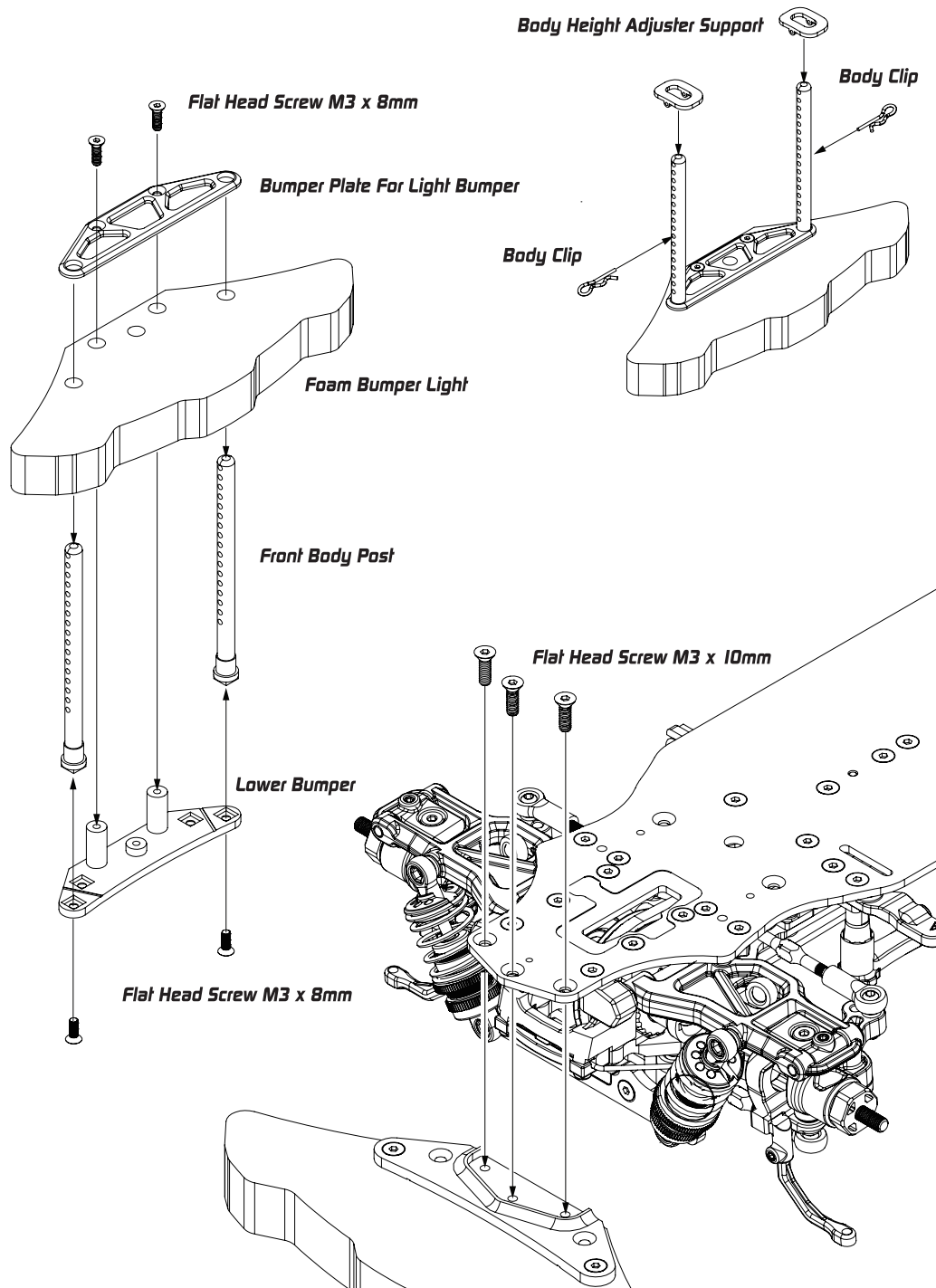
**Flat Head Screw M3 x 8mm**  
XP-40048

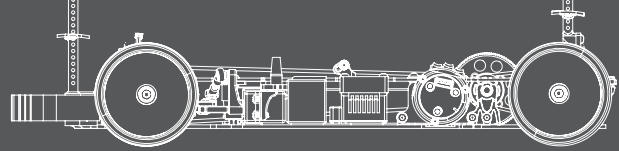


**Composite Battery Holder Post For LCG Battery**  
XP-10717

Freely Adjust Height Of Post With Shims,  
Change To a 16mm Screw If Needed

**Composite Battery Holder Post For Standard Battery**  
XP-10717





### HW K



Lock Nut 7mm  
XP-40068

*[ Receiver Not Included ]*

*[ ESC Not Included ]*

*[ Double Sided Tape Not Included ]*

*[ Pinion Not Included ]*

*[ Motor Not Included ]*

Round Head Screw M3 x 6mm



Round Head Screw M3 x 6mm  
XP-40037

*[ Battery Not Included ]*

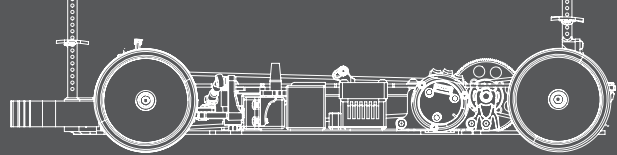
*[ Tires Not Included ]*

Lock Nut 7mm

Lock Nut 7mm

*[ Tires Not Included ]*



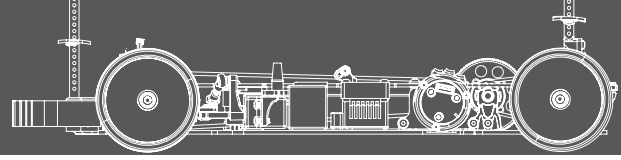


XQ2S Original Parts	
Model	Product Name
XP-10008	Gear Differential Case and Cover
XP-10009	Gear Differential Bevel Satellite Gears Set
XP-10011	Gear Differential Repair Parts
XP-10022	Gear Differential Set
XP-10052	Kevlar Drive Belt Rear 3 x 189 mm
XP-10053	Spur Gear 64P 116T
XP-10055	Body Clips 20pcs
XP-10107	Composite Ball Bearing Tension Adjustment Hub 4pcs
XP-10109	Composite Steering Block Pair
XP-10121	5.5mm Pivot Ball 8pcs
XP-10128	Driveshaft Protector Blade 8pcs
XP-10139	3.0mm Suspension Pivot Pin 4pcs
XP-10147	Shock Membrane 8pcs
XP-10148	4.8mm Ball End 5mm Thread 10pcs
XP-10149	4.8mm Ball End 6mm Thread 10pcs
XP-10150	4.8mm Ball End 8mm Thread 10pcs
XP-10151	4.8mm Ball End 10mm Thread 10pcs
XP-10156	Steel Turnbuckle 29 mm 4pcs
XP-10157	Steel Steering Turnbuckle Set
XP-10159	Composite 1.1mm Piston Spacer Set
XP-10160	Shock O-RING 8pcs
XP-10163	Composite Servo Horn Belt Tensioner Set
XP-10169	Medium Spring Pair Silver 2pcs
XP-10179	Gear Differential Gasket 5pcs
XP-10181	Gear Differential Spacer 5x15.5x0.4mm 10pcs
XP-10182	Gear Differential Spacer 3.6x9.5x0.2mm 10pcs
XP-10183	Silicone Gear Differential O-RING 25x1mm 10pcs
XP-10184	Silicone Gear Differential O-RING 5x2mm 10pcs
XP-10227	FRP 2.5mm Chassis Plate
XP-10229	Composite Lower Bulkhead 2pcs
XP-10231	Composite Layshaft Bulkhead
XP-10236	4.8mm Ball End 5mm Thread 4pcs
XP-10237	4.8mm Ball End 6mm Thread 4pcs
XP-10238	4.8mm Ball End 8mm Thread 4pcs
XP-10239	4.8mm Ball End 10mm Thread 4pcs
XP-10244	Steel Universal Shaft 2pcs
XP-10251	4.8mm Flat Type Ball End 15mm 4pcs
XP-10252	4.8mm Flat Type Ball End 13mm 2pcs
XP-10253	4.8mm Flat Type Ball End 10mm 4pcs
XP-10254	4.8mm Low Profile Ball End Set
XP-10262	Composite Wheel Hub Set 4pcs
XP-10264	Composite Spool 38T Set
XP-10265	Composite Spool Cups 2pcs
XP-10284	Aluminum Solid Layshaft
XP-10288	Gear Diff Outdrive Adapter 2pcs
XP-10308	XQ1S Drive Belt Front 513mm
XP-10309	XQ1S Drive Belt Rear 189mm
XP-10336	Steel Turnbuckle 18mm 4pcs
XP-10396	Short Shock Composite Shock Part (Black)
XP-10397	Aluminum Upper Short Shock Cap 2pcs (Sport)
XP-10398	Aluminum Lower Short Shock Cap 2pcs (Sport)
XP-10399	Aluminum Short Shock Spring Tension Adjust Nut 2pcs (Sport)
XP-10400	Composite C Hub 4 Degree L/R (Strong V2)
XP-10401	C Hub King Pin Set 2+2 V2
XP-10561	Bumper Body Post (Foam Bumper LIGHT)
XP-10562	Foam Bumper Light
XP-10594	Aluminum Motor Mount Set V2
XP-10595	FRP 2.0mm Top Deck V2
XP-10596	Composite Short Shock Body 4pcs
XP-10602	3mm Outer Suspension pin w/ Groove 4pcs
XP-10603	Front And Rear Composite Suspension Arm (Strong)
XP-10607	O Ring For Spring Adjust Nut 4pcs ( Short Shock)
XP-10689	Composite Rear Upright 2 PCS (Strong) V2
XP-10699	Front and Rear Composite One Piece Upper Clamp V2
XP-10717	Composite Anti Tweak Battery Holder
XP-10720	XQ1S Mid Pulley FRP 3.0mm Floating Servo Holder For XP-10690
XP-10724	Long Travel Short Shock Composite Shock Part
XP-10740	Composite Steering Set
XP-10791	FRP 3.0mm Front Shock Tower ( Short Shock)
XP-10792	FRP 3.0mm Rear Shock Tower ( Short Shock)
XP-10797	Composite Short Shock Set 2pcs

XQ2S Option Parts	
Model	Product Name
XP-10104	Aluminum Front One Piece Upper Clamp
XP-10105	Front Camberlink Mount 2pcs
XP-10111	Aluminum Dual Servo Saver Arm 2pcs
XP-10113	Aluminum Steering Plate For Dual Servo Saver 4mm
XP-10114	Aluminum FF Lower 1 Piece Suspension Mount
XP-10115	Aluminum One Piece Lower Bulkhead
XP-10116	Aluminum Layshaft Holder Bulkhead 2pcs
XP-10119	Aluminum Shim 3x5.5x1.0mm Red 20pcs
XP-10120	Aluminum Shim 3x5.5x2.0mm Red 20pcs
XP-10123	Aluminum 2 Piece Suspension Mount 2pcs
XP-10124	Aluminum RR Lower one Piece Suspension Mount
XP-10125	Aluminum Gear Diff Outdrive Adapter 2pcs
XP-10126	Steel Spool Outdrive Adapter 2pcs
XP-10127	Eccentric Bushing Set
XP-10129	Aluminum 5mm Wheel Hub Red 2pcs
XP-10130	Aluminum Rear One Piece Upper Clamp
XP-10131	Rear Camberlink Mount 2pcs
XP-10132	Kevlar Front Drive Belt 3 x 513 mm
XP-10133	Aluminum Solid Axle
XP-10134	Center Layshaft Pulley Set
XP-10136	Aluminum Servo Mount
XP-10166	Steel Double Joint Universal Shaft 2pcs
XP-10167	Steel Universal Shaft Rear 2pcs
XP-10168	Soft Spring Pair Black 2pcs
XP-10170	Stiff Spring Pair Pink 2pcs
XP-10175	Aluminum Solid Layshaft
XP-10186	Brass Chassis Balancing Weights 15g 10g 4pcs
XP-10187	Brass Chassis Centerline Balancing Weights 15g 25g 2pcs
XP-10191	Aluminum Rf One Piece Suspension Mount
XP-10192	Aluminum Adjustable Battery Stoppers
XP-10194	Aluminum FR One Piece Suspension Mount
XP-10196	Brass RF One Piece Suspension Mount
XP-10197	Brass FR One Piece Suspension Mount
XP-10198	Brass 2 Piece Suspension Mount
XP-10199	Brass FF 1 Piece Suspension Mount
XP-10200	Brass RR 1 Piece Suspension Mount
XP-10220	Camberlink Stiffener set
XP-10222	Graphite Option Steering Knuckle Plate 2pcs
XP-10224	Aluminum 5mm Ackermann Steering Plate For Dual Servo Saver
XP-10240	Aluminum Shim 3x5.5x1.0mm Red 10pcs
XP-10241	Aluminum Shim 3x5.5x2.0mm Red 10pcs
XP-10242	Brass Chassis Balancing Weights 10g 5g 4pcs
XP-10243	Graphite 2.25mm Upper Bumper Holder
XP-10255	Camber Stiffener Link Ball End
XP-10310	Aluminum Motor Fan Mount
XP-10320	Graphite Option Steering Knuckle plate (Less ackermann)
XP-10321	Vertical Topdeck Set
XP-10323	Anti-Roll Bar 1.2mm Front and Rear 2pcs
XP-10324	Anti-Roll Bar 1.3mm Front and Rear 2pcs
XP-10325	Anti-Roll Bar 1.4mm Front and Rear 2pcs
XP-10326	Aluminum Anti-Roll Bar Set
XP-10327	Aluminum Anti-Roll Bar Bushing Set
XP-10334	39.3mm Spring Steel Double Joint Universal Shaft 2pcs
XP-10365	Aluminum Wheel Adapter 6mm 2pcs
XP-10380	Graphite Body Post Stiffener Front and Rear
XP-10382	Graphite 2mm Vertical Topdeck Plates 2pcs For XP-10321
XP-10490	2.25mm Graphite Mid Motor Main Chassis Plate
XP-10491	2.0mm Graphite Mid Motor Upper Deck
XP-10492	Aluminum Mid Motor Mount
XP-10493	Aluminum Mid Motor Servo Mount
XP-10494	Aluminum Steering Post For Dual Servo Saver 11.5mm 2pcs
XP-10496	Kevlar Drive Belt 3 x 351mm
XP-10556	Steel Spool Outdrive Adapter 2pcs
XP-10565	Composite Suspension Parts Set (Hard Strong)
XP-10566	Upper Deck Stiffener
XP-10593	Long Travel Short Shock Set 2pcs
XP-10597	Front And Rear Composite Suspension Arm (Strong Hard)
XP-10600	Silicone Gear Differential X-RING 5x2mm 10pcs
XP-10601	Shock X-Ring 10pcs
XP-10608	Graphite 3.0mm Front Shock Tower ( Short Shock)
XP-10609	Graphite 3.0mm Rear Shock Tower ( Short Shock)
XP-10610	XQ1 XQ1S Double Joint Universal Shaft Bone
XP-10611	XQ1 XQ1S Double Joint Universal Shaft Axle
XP-10612	XQ1 XQ1S Double Joint Universal Shaft Case
XP-10613	XQ1 XQ1S Double Joint Universal Shaft Coupling Pins
XP-10621	Composite Rear Upright 2 PCS (Strong Hard) V2
XP-10622	Steel Spool Outdrive Adapter 3.5mm 2pcs
XP-10623	Aluminum Mid Motor Mount V2
XP-10624	2.0mm Graphite Mid Motor Upper Deck V2
XP-10625	XQ1 Mid Motor Conversion Kit V2
XP-10626	White Kevlar Low Friction White Belt 3x189mm
XP-10627	White Kevlar Low Friction White Belt 3x513mm
XP-10634	Grey Composite 4.8mm Flat Type Ball End 10mm 4pcs
XP-10635	Grey Composite 4.8mm Flat Type Ball End 13mm 4pcs
XP-10636	Grey Composite 4.8mm Flat Type Ball End 15mm 4pcs
XP-10637	XQ10 Aluminum FR One Piece Suspension Mount
XP-10638	XQ10 Brass FR One Piece Suspension Mount
XP-10641	On-power Control System V2
XP-10643	Composite Upper Deck Stiffener 2pcs
XP-10645	Kevlar Low Friction Belt 3x189mm
XP-10646	Kevlar Low Friction Belt 3x513mm

XQ2S Option Parts	
Model	Product Name
XP-10654	Anti Tweak Battery Holder
XP-10680	Aluminum Ball Bearing Tension Adjustment Hub 2pcs
XP-10683	XQ10 Aluminium Upper Deck Collar For Flex Elimination
XP-10684	Hard Composite On-power Control System Suspension Arm (Strong)
XP-10685	On-power Control System 0 Deg Aluminum C-hub 2pcs
XP-10725	Long Travel Aluminum Short Shock Body 2pcs
XP-10726	Lower Suspension Mount Spacer 0.5mm
XP-10735	Composite Anti-Roll Bar Ball Joint 4pcs (Black)
XP-10810	Composite C Hub 4 Degree L/R (Strong Hard) V2
XP-10811	Aluminum 2 Piece Suspension Mount 2pcs (+0.75)
XP-10812	Aluminum RR Lower one Piece Suspension Mount (+0.75)
XP-10819	Body Support Brace
XP-10820	Graphite 2.0mm Top Deck V2
XP-10822	Composite Rear Upright 2 PCS (Hard) V2
XP-10829	XQ2S FWD Conversion Kit
XP-10835	Aluminum Adjustable Ackermann Steering Plate
XP-10866	XQ2S 2.25mm Graphite Main Chassis Plate

# EXECUTE XQ25 Gear Ratio Chart



	51	52	53	54	55	56	57	58	59	60	61	62	63	64	65	66	67	68	69	70	71	72	73	74	75	76	77	78	79	80	81	82	83	84	85		
69												2.08	2.05	2.02	1.99	1.96	1.93	1.90	1.87	1.85	1.82	1.80	1.77	1.75	1.73	1.70	1.68	1.66	1.64	1.62	1.60	1.58	1.56	1.54			
70											2.15	2.11	2.08	2.05	2.02	1.99	1.96	1.93	1.90	1.87	1.85	1.82	1.80	1.77	1.75	1.73	1.71	1.69	1.67	1.65	1.63						
71										2.21	2.18	2.14	2.11	2.08	2.04	2.01	1.98	1.96	1.93	1.90	1.87	1.85	1.82	1.80	1.77	1.75	1.73	1.71	1.69	1.67							
72										2.28	2.24	2.21	2.17	2.14	2.10	2.07	2.04	2.01	1.98	1.95	1.93	1.90	1.87	1.85	1.83	1.80	1.78	1.76	1.73	1.71	1.69	1.67					
73										2.35	2.31	2.27	2.24	2.20	2.17	2.13	2.10	2.07	2.04	2.01	1.98	1.95	1.93	1.90	1.87	1.85	1.83	1.80	1.78	1.76	1.73	1.71	1.69	1.67			
74										2.42	2.38	2.34	2.30	2.27	2.23	2.20	2.16	2.13	2.10	2.07	2.04	2.01	1.98	1.95	1.93	1.90	1.87	1.85	1.83	1.80	1.78	1.76	1.73	1.71	1.69	1.67	
75										2.50	2.46	2.42	2.38	2.34	2.30	2.26	2.23	2.19	2.16	2.13	2.10	2.07	2.04	2.01	1.98	1.95	1.93	1.90	1.88	1.85	1.83	1.80	1.78	1.76	1.73	1.71	
76										2.58	2.53	2.49	2.45	2.41	2.37	2.33	2.29	2.25	2.22	2.18	2.15	2.12	2.09	2.06	2.03	2.00	1.98	1.95	1.93	1.90	1.88	1.85	1.83	1.80	1.78	1.76	
77										2.66	2.61	2.57	2.52	2.48	2.44	2.40	2.36	2.32	2.28	2.25	2.21	2.18	2.15	2.12	2.09	2.06	2.03	2.00	1.98	1.95	1.93	1.90	1.88	1.85	1.83	1.80	
78										2.74	2.69	2.65	2.61	2.57	2.53	2.49	2.45	2.41	2.37	2.33	2.29	2.25	2.21	2.18	2.15	2.12	2.09	2.06	2.03	2.00	1.98	1.95	1.93	1.90	1.88	1.85	
79										2.83	2.78	2.73	2.68	2.63	2.59	2.54	2.50	2.46	2.42	2.38	2.34	2.30	2.26	2.22	2.18	2.15	2.12	2.09	2.06	2.03	2.00	1.98	1.95	1.93	1.90	1.88	1.85
80										2.92	2.87	2.82	2.77	2.72	2.67	2.63	2.59	2.54	2.50	2.46	2.42	2.38	2.34	2.30	2.26	2.22	2.18	2.15	2.12	2.09	2.06	2.03	2.00	1.98	1.95	1.93	1.90
81										3.01	2.96	2.91	2.86	2.81	2.76	2.72	2.68	2.64	2.59	2.55	2.51	2.47	2.43	2.40	2.36	2.32	2.28	2.24	2.20	2.17	2.14	2.11	2.08	2.05			
82										3.10	3.04	2.99	2.93	2.88	2.83	2.78	2.74	2.70	2.65	2.61	2.57	2.53	2.49	2.45	2.41	2.37	2.33	2.29	2.25	2.21	2.17	2.14	2.11	2.08	2.05		
83										3.19	3.13	3.07	3.02	2.97	2.92	2.87	2.82	2.77	2.72	2.68	2.64	2.60	2.56	2.52	2.48	2.44	2.40	2.36	2.32	2.28	2.24	2.20	2.17	2.14	2.11	2.08	2.05
84										3.28	3.22	3.16	3.11	3.06	3.01	2.96	2.91	2.86	2.81	2.76	2.72	2.68	2.64	2.60	2.56	2.52	2.48	2.44	2.40	2.36	2.32	2.28	2.24	2.20	2.17	2.14	2.11
85										3.37	3.31	3.25	3.19	3.13	3.08	3.03	2.98	2.93	2.88	2.83	2.78	2.74	2.70	2.65	2.61	2.57	2.53	2.49	2.45	2.41	2.37	2.33	2.29	2.25	2.21	2.17	2.14
86										3.46	3.40	3.34	3.28	3.22	3.17	3.11	3.06	3.01	2.96	2.91	2.86	2.81	2.76	2.72	2.68	2.64	2.60	2.56	2.52	2.48	2.44	2.40	2.36	2.32	2.28	2.24	2.20
87										3.55	3.49	3.43	3.37	3.31	3.25	3.19	3.13	3.08	3.03	2.98	2.93	2.88	2.83	2.78	2.74	2.70	2.65	2.61	2.57	2.53	2.49	2.45	2.41	2.37	2.33	2.29	
88										3.64	3.58	3.52	3.46	3.40	3.34	3.28	3.22	3.17	3.11	3.06																	
89										3.73	3.67	3.61	3.55	3.49	3.43	3.37	3.31	3.25	3.19	3.13	3.08	3.03	2.98	2.93	2.88	2.83	2.78	2.74	2.70	2.65	2.61	2.57	2.53	2.49	2.45	2.41	
90										3.82	3.76	3.70	3.64	3.58	3.52	3.46	3.40	3.34	3.28	3.22	3.17	3.11	3.06														
91										3.91	3.85	3.79	3.73	3.67	3.61	3.55	3.49	3.43	3.37	3.31	3.25	3.19	3.13	3.08	3.03	2.98	2.93	2.88	2.83	2.78	2.74	2.70	2.65	2.61	2.57	2.53	
92										4.00	3.94	3.88	3.82	3.76	3.70	3.64	3.58	3.52	3.46	3.40	3.34	3.28	3.22	3.17	3.11	3.06											
93										4.09	4.03	3.97	3.91	3.85	3.79	3.73	3.67	3.61	3.55	3.49	3.43	3.37	3.31	3.25	3.19	3.13	3.08	3.03	2.98	2.93	2.88	2.83	2.78	2.74	2.70	2.65	2.61
94										4.18	4.12	4.06	4.00	3.94	3.88	3.82	3.76	3.70	3.64	3.58	3.52	3.46	3.40	3.34	3.28	3.22	3.17	3.11	3.06								
95										4.27	4.21	4.15	4.09	4.03	3.97	3.91	3.85	3.79	3.73	3.67	3.61	3.55	3.49	3.43	3.37	3.31	3.25	3.19	3.13	3.08	3.03	2.98	2.93	2.88	2.83	2.78	2.74
96										4.36	4.30	4.24	4.18	4.12	4.06	4.00	3.94	3.88	3.82	3.76	3.70	3.64	3.58	3.52	3.46	3.40	3.34	3.28	3.22	3.17	3.11	3.06					
97										4.45	4.39	4.33	4.27	4.21	4.15	4.09	4.03	3.97	3.91	3.85	3.79	3.73	3.67	3.61	3.55	3.49	3.43	3.37	3.31	3.25	3.19	3.13	3.08	3.03	2.98	2.93	2.88
98										4.54	4.48	4.42	4.36	4.30	4.24	4.18	4.12	4.06	4.00	3.94	3.88	3.82	3.76	3.70	3.64	3.58	3.52	3.46	3.40	3.34	3.28	3.22	3.17	3.11	3.06		
99										4.63	4.57	4.51	4.45	4.39	4.33	4.27	4.21	4.15	4.09	4.03	3.97	3.91	3.85	3.79	3.73	3.67	3.61	3.55	3.49	3.43	3.37	3.31	3.25	3.19	3.13	3.08	3.03
100										4.72	4.66	4.60	4.54	4.48	4.42	4.36	4.30	4.24	4.18	4.12	4.06	4.00	3.94	3.88	3.82	3.76	3.70	3.64	3.58	3.52	3.46	3.40	3.34	3.28	3.22	3.17	
101										4.81	4.75	4.69	4.63	4.57	4.51	4.45	4.39	4.33	4.27	4.21	4.15	4.09	4.03	3.97	3.91	3.85	3.79	3.73	3.67	3.61	3.55	3.49	3.43	3.37	3.31	3.25	3.19
102										4.90	4.84	4.78	4.72	4.66	4.60	4.54	4.48	4.42	4.36	4.30	4.24	4.18	4.12	4.06	4.00	3.94	3.88	3.82	3.76	3.70	3.64	3.58	3.52	3.46	3.40	3.34	3.28
103										4.99	4.93	4.87	4.81	4.75	4.69	4.63	4.57	4.51	4.45	4.39	4.33	4.27	4.21	4.15	4.09	4.03	3.97	3.91	3.85	3.79	3.73	3.67	3.61	3.55	3.49	3.43	3.37
104										5.08	5.02	4.96	4.90	4.84	4.78	4.72	4.66	4.60	4.54	4.48	4.42	4.36	4.30	4.24	4.18	4.12	4.06	4.00	3.94	3.88	3.82	3.76	3.70	3.64	3.58	3.52	3.46
105										5.17	5.11	5.05	4.99	4.93	4.87	4.81	4.75	4.69	4.63	4.57	4.51	4.45	4.39	4.33	4.27	4.21	4.15	4.09	4.03	3.97	3.91	3.85	3.79	3.73	3.67	3.61	3.55
106										5.26	5.20	5.14	5.08	5.02	4.96	4.90	4.84	4.78	4.72	4.66	4.60	4.54	4.48	4.42	4.36	4.30	4.24	4.18	4.12	4.06	4.00	3.94	3.88	3.82	3.76	3.70	3.64
107										5.35	5.29	5.23	5.17	5.11	5.05	4.99	4.93	4.87	4.81	4.75	4.69	4.63	4.57	4.51	4.45	4.39	4.33	4.27	4.21	4.15	4.09	4.03	3.97	3.91	3.85	3.79	3.73
108										5.44	5.38	5.32	5.26	5.20	5.14	5.08	5.02	4.96	4.90	4.84	4.78	4.72	4.66	4.60	4.54	4.48	4.42	4.36	4.30	4.24	4.18	4.12	4.06	4.00	3.94	3.88	3.82
109										5.53	5.47	5.41	5.35	5.29	5.23	5.17	5.11	5.05	4.99	4.93	4.87	4.81	4.75	4.69	4.63	4.57	4.51	4.45	4.39	4.33	4.27	4.21	4.15	4.09	4.03	3.97	3.91
110										5.62	5.56	5.50	5.44	5.38	5.32	5.26	5.20	5.14	5.08	5.																	

Driver \_\_\_\_\_ Track Surface \_\_\_\_\_ Track Temperature \_\_\_\_\_  
 Date \_\_\_\_\_ Track Traction \_\_\_\_\_ Result \_\_\_\_\_ Air Temperature \_\_\_\_\_  
 Track \_\_\_\_\_ Country \_\_\_\_\_ Best Lap \_\_\_\_\_ Humidity \_\_\_\_\_ Remark \_\_\_\_\_

### Front

Spacer mm  
3 2 1  
Spacer mm  
Spacer mm  
Spacer mm  
5.2 5.0 4.8 4.6 4.4 4.2 4  
4 4.2 4.4 4.6 4.8 5.0 5

<b>C-Hub</b>	Hex Offset	mm	mm
<input type="checkbox"/> M <input type="checkbox"/> H	Camber		
<b>Steering Block</b>	Ride Height	mm	mm
<input type="checkbox"/> M <input type="checkbox"/> H	DownStop	mm	mm
<b>Suspension Arm</b>	Sway Bar	mm	mm
<input type="checkbox"/> M <input type="checkbox"/> H			

**Rear**

Spacer mm  
Spacer mm  
4 4.2 4.4 4.6 4.8 5.0 5

<b>Rear Hub</b>	<input type="checkbox"/> M <input type="checkbox"/> H
<b>Suspension Arm</b>	<input type="checkbox"/> M <input type="checkbox"/> H

### Optional On-Power Control System

Spacer mm  
Spacer mm  
Spacer mm  
Spacer mm

Hex Offset	mm
Camber	
Ride Height	mm
DownStop	mm
Sway Bar	mm

<b>Steering Block</b>	<input type="checkbox"/> M <input type="checkbox"/> H
<b>Suspension Arm</b>	<input type="checkbox"/> M <input type="checkbox"/> H

Front Toe Out  Front Tire Additive Area

Lower Arm Spacer mm  
Wheelbase Spacer  
FF mm  
FR mm

Bump Steering Spacer mm  
1 2  
Shock Tower Spacer mm  
Weight g

### Flex Control

<input type="checkbox"/> Aluminum	<input type="checkbox"/>
<input type="checkbox"/> Composite	<input type="checkbox"/>
<input type="checkbox"/> Composite ( 2 Dot )	<input type="checkbox"/>
<input type="checkbox"/> Bearing	<input type="checkbox"/>

Spacer mm  
Rear Toe In  Rear Tire Additive Area

Lower Arm Spacer mm  
Shock Tower Spacer mm  
Weight g  
Wheelbase Spacer  
RF mm  
RR mm

### Suspension Mount Setup

**FF**

<input type="checkbox"/> 1 <input type="checkbox"/> Aluminium	<input type="checkbox"/> Spill
<input type="checkbox"/> 0.5 <input type="checkbox"/> Brass	<input type="checkbox"/> Solid

**FR**

<input type="checkbox"/> 1 <input type="checkbox"/> Aluminium	<input type="checkbox"/> Spill
<input type="checkbox"/> 0.5 <input type="checkbox"/> Brass	<input type="checkbox"/> Solid

**RR**

<input type="checkbox"/> 1 <input type="checkbox"/> Aluminium	<input type="checkbox"/> Spill
<input type="checkbox"/> 0.5 <input type="checkbox"/> Brass	<input type="checkbox"/> Solid

**RF**

<input type="checkbox"/> 1 <input type="checkbox"/> Aluminium	<input type="checkbox"/> Spill
<input type="checkbox"/> 0.5 <input type="checkbox"/> Brass	<input type="checkbox"/> Solid

### Flex Control

### Damper Setup

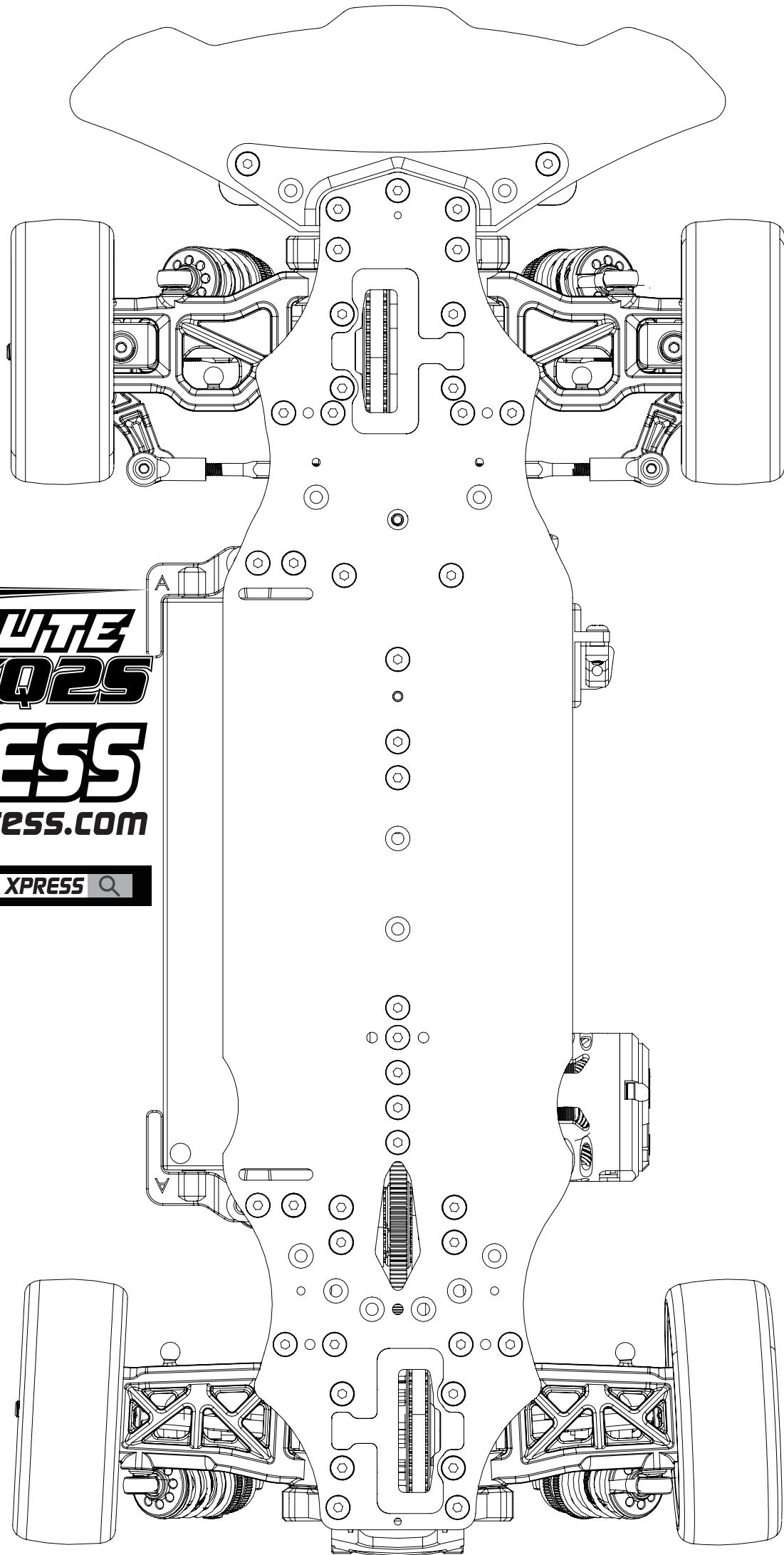
Front	Rear
Spring _____	Spring _____
Oil _____	Oil _____
Rebound _____	Rebound _____
Piston _____	Piston _____
Length _____	Length _____
Foam Insert <input type="checkbox"/>	Foam Insert <input type="checkbox"/>
Hole In Cap <input type="checkbox"/>	Hole In Cap <input type="checkbox"/>

### Transmission Setup

Front	Rear
Oil _____	Oil _____
Weight _____ g	Weight _____ g
Position _____	Position _____

### Others

Servo \_\_\_\_\_ Tires \_\_\_\_\_  
 Esc \_\_\_\_\_ Additive \_\_\_\_\_  
 Motor \_\_\_\_\_ Body \_\_\_\_\_  
 Spur P/ T Rear Wing \_\_\_\_\_  
 Pinon P/ T FDR \_\_\_\_\_



**EXECUTE**  
1/10 SPORT TOURING CAR **XQ25**

**XPRESS**  
[www.rc-xpress.com](http://www.rc-xpress.com)



**RC XPRESS** 🔍