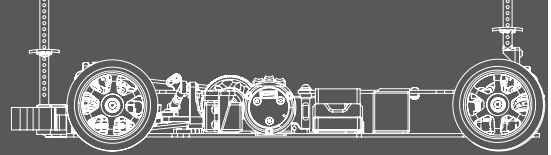
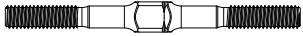


EXECUTE
1110 COMPETITION FWD TOURING CAR
XQ10F

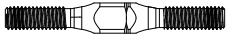
INSTRUCTION MANUAL



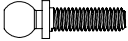
Bag A



Turnbuckle M3 x 39mm
XP-10157



Turnbuckle M3 x 29mm
XP-10156



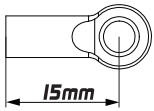
4.8mm Ball End 10mm Thread
XP-10151



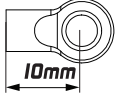
4.8mm Ball End 6mm Thread
XP-10149



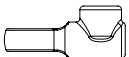
4.8mm Ball End 5mm Thread
XP-10148



4.8mm Flat Type Ball End 15mm
XP-10636

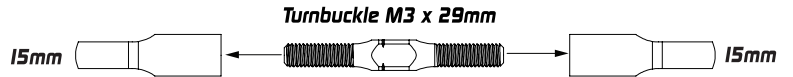


4.8mm Flat Type Ball End 10mm
XP-10634



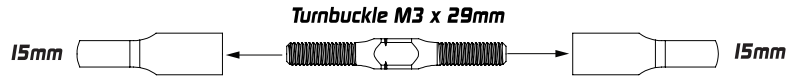
Composite Anti-Roll Bar Ball Joint
XP-10652

2X



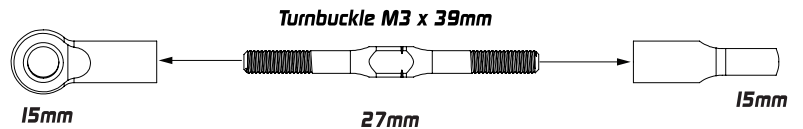
For Rear Camber Link

2X



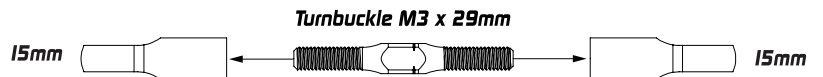
For Front Camber Link

2X



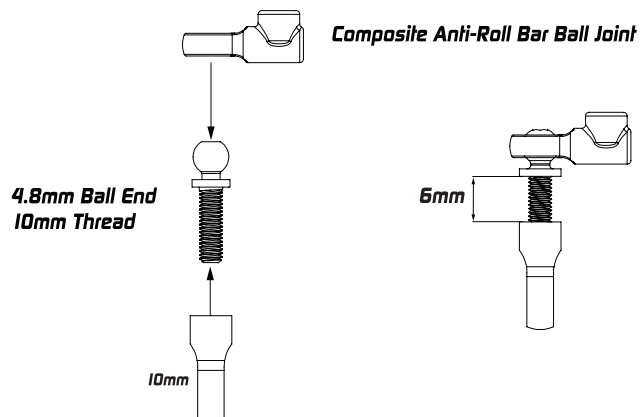
For Steering

1X

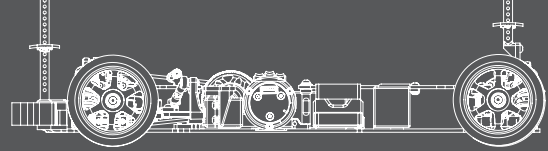


For Servo

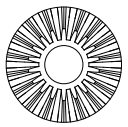
4X



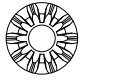
For Anti-Roll Bar



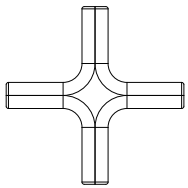
Bag B , Bearing and Oil Bag



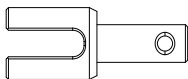
Bevel Gears 18T
XP-10009



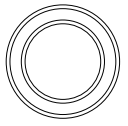
Bevel Gears 10T
XP-10009



Gear Diff Cross Pin
XP-10009



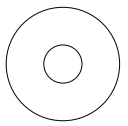
Alu Gear Diff Outdrive Adapter
XP-10125



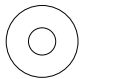
Bearing 10 x 15 x 4mm
XP-40065



Pin 2 x 9.8mm
XP-40069



Spacer 5 x 15 x 0.4mm
XP-10181



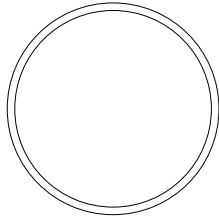
Spacer 3.6 x 9.5 x 0.2mm
XP-10182



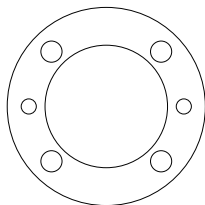
Silicone Gear Differential X-RING 5x2mm
XP-10600



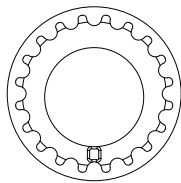
Flat Head Screw M2.5 x 8mm
XP-40044



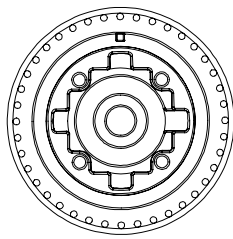
O-ring 25 x 1mm
XP-10183



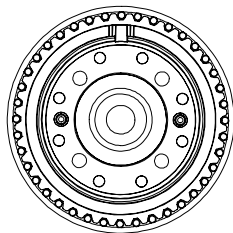
Diff Gasket
XP-10179



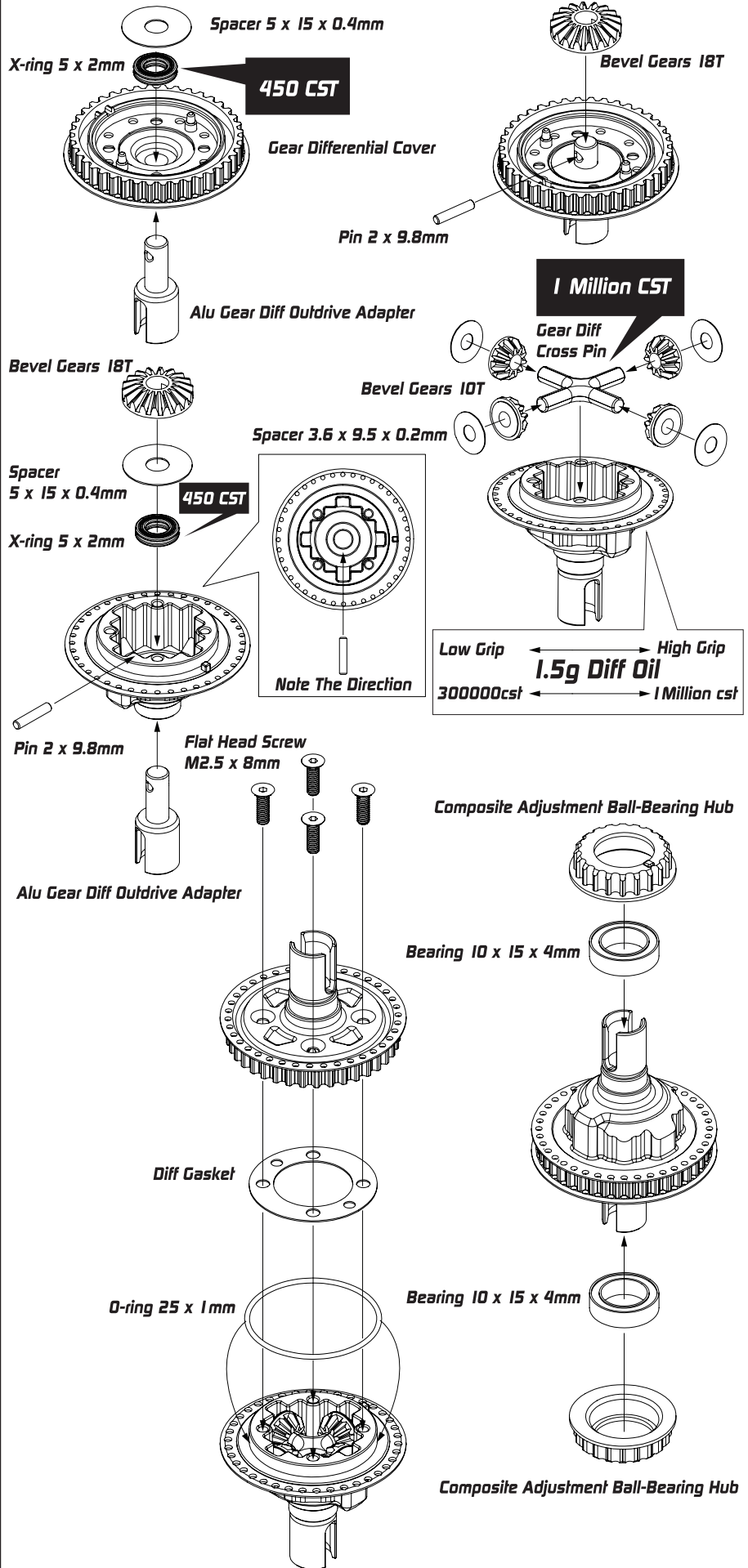
Composite Adjustment
Ball-Bearing Hub
XP-10107



Gear Differential Case
XP-10008

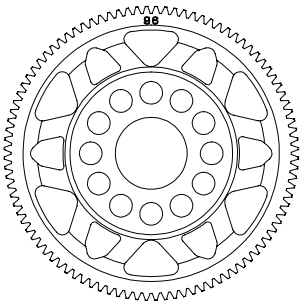


Gear Differential Cover
XP-10008

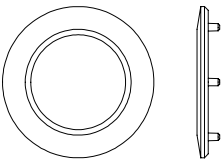


3. Center Pulley Assembly

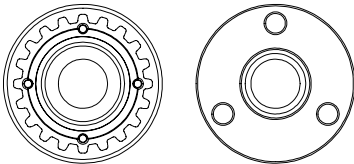
Bag D ,Bearing and Screw Bag



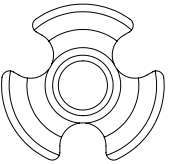
**Spur Gear 64P 96T
XP-40082**



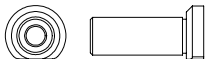
**Center Pulley Cover
XP-10644**



**Center Pulley A
XP-10644 Optional XP-10629**



**Spur Gear Adaptor
XP-10688**



**Center Pulley Post
XP-10698**



**Round Head Screw RM3 x 6mm
XP-40037**



**Bearing 5 x 8 x 2.5mm
XP-40061**



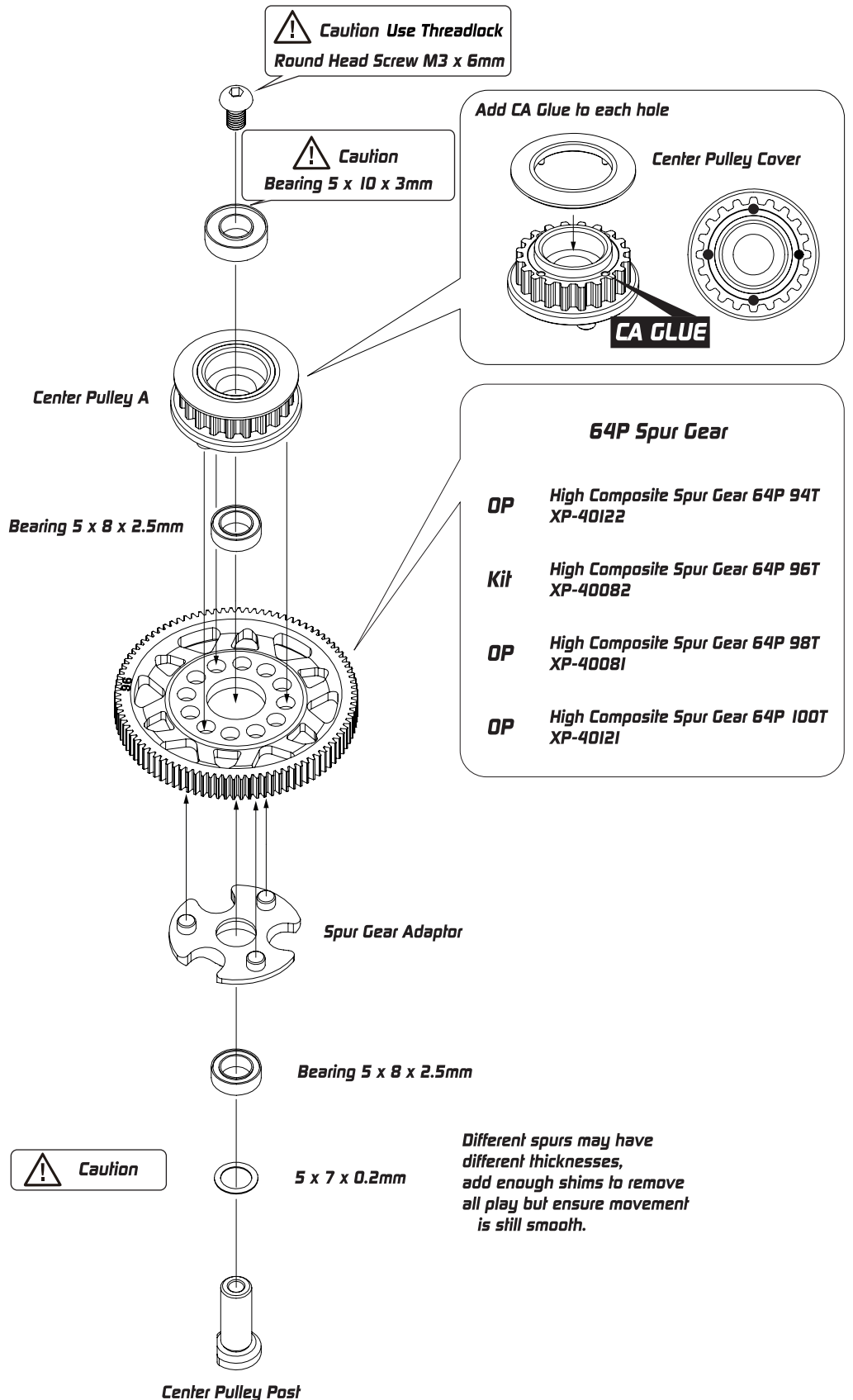
**Bearing 5 x 10 x 3mm
XP-40063**

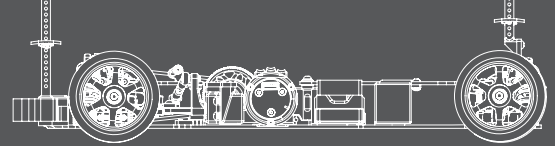


**5 x 7 x 0.1mm Spacer
XP-40117**







**5 x 7 x 0.2mm Spacer
XP-40086**





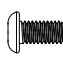
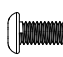
Bag E, F, Spacer, Carbon and Screw Bag

-  **Battery Stopper**
XP-10180
-  **Bearing 3 x 6 x 2.5mm**
XP-40060
-  **Spacer 3 x 5 x 0.2mm**
XP-40066
-  **Alu Shim 3 x 5.5 x 1mm**
XP-10119 / XP-10240

Motor Mount XP-10687

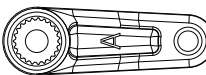
-  **Flat Head Screw FM3 x 12mm**
XP-40050

 **Caution**
Please Note The Direction

-  **Round Head Screw RM3 x 6mm**
XP-40037
-  **Round Head Screw RM3 x 8mm**
XP-40038

3mm Graphite Servo Mount Plate
XP-10716

-  **Aluminum Servo Side Mount**
XP-10727

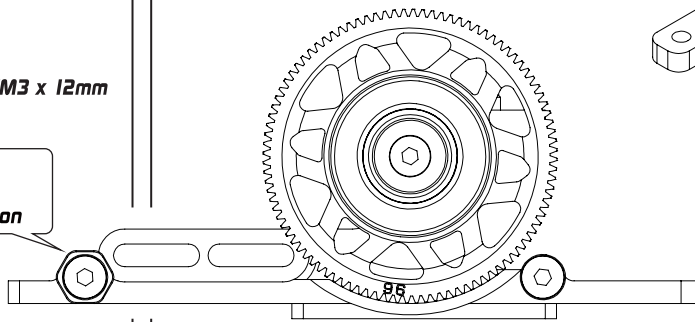
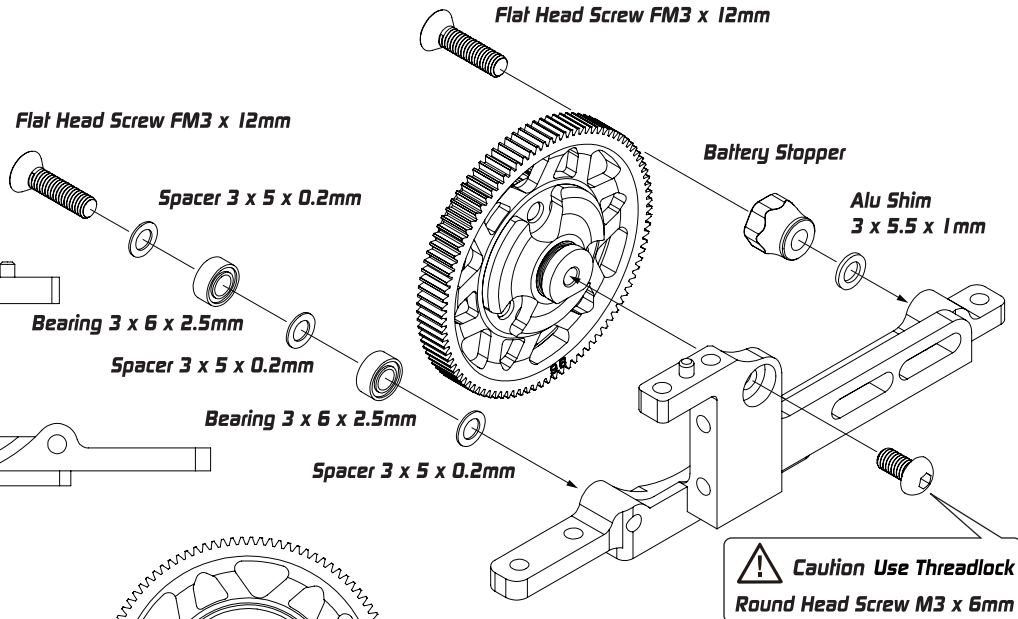
-  **Servo Horn 23T for Sanwa, KO**
XP-10163

-  **Servo Horn 25T for Futaba**
XP-10163

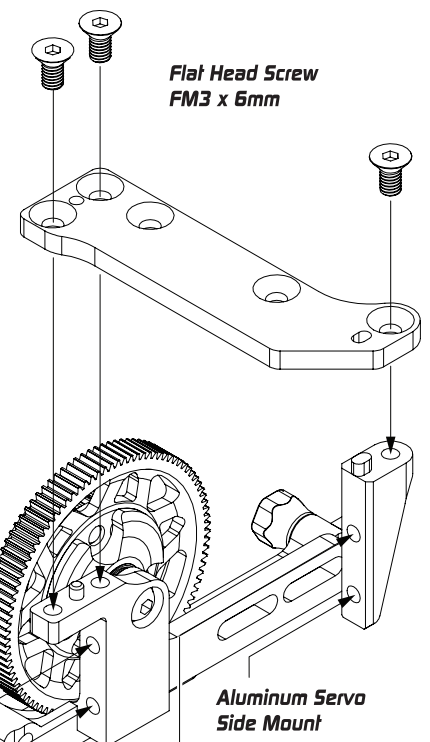
-  **Flat Head Screw FM3 x 6mm**
XP-40046

 **Caution**
From Servo Link

Round Head Screw RM3 x 8mm



3mm Graphite Servo Mount Plate



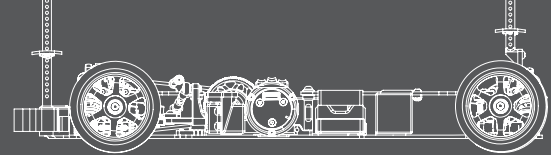
No Electronics are included

Round Head Screw RM3 x 6mm

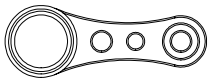
4.8mm Ball End 6mm Thread

Servo Horn

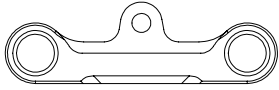
Round Head Screw RM3 x 6mm



Bag E, G, Carbon, Screw, Spacer and Bearing Bag



Aluminum Dual Servo Saver Arm 18.5mm XP-10650



XQ10 Aluminum Steering Plate For Dual Servo Saver XP-10651 Optional XP-10745



Alu Shim 3 x 5.5 x 1mm XP-10119 / XP-10240



Bearing 5 x 8 x 2.5mm XP-40061



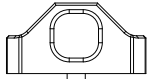
Bearing 3 x 6 x 2.5mm XP-40060



Round Head Screw RM3 x 6mm XP-40037



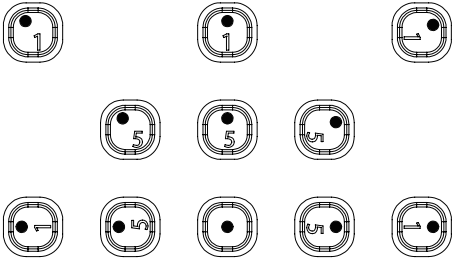
Flat Head Screw FM3 x 6mm XP-40046



Alu Lower 2-Piece Suspension Holder XP-10123

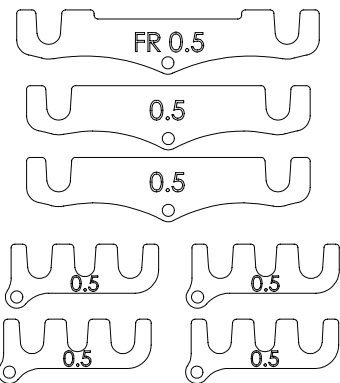
Diagonal Offset

Use either 0.5 or 1mm to shift the roll center in a diagonal direction from the center.

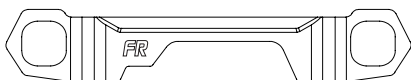


Optional

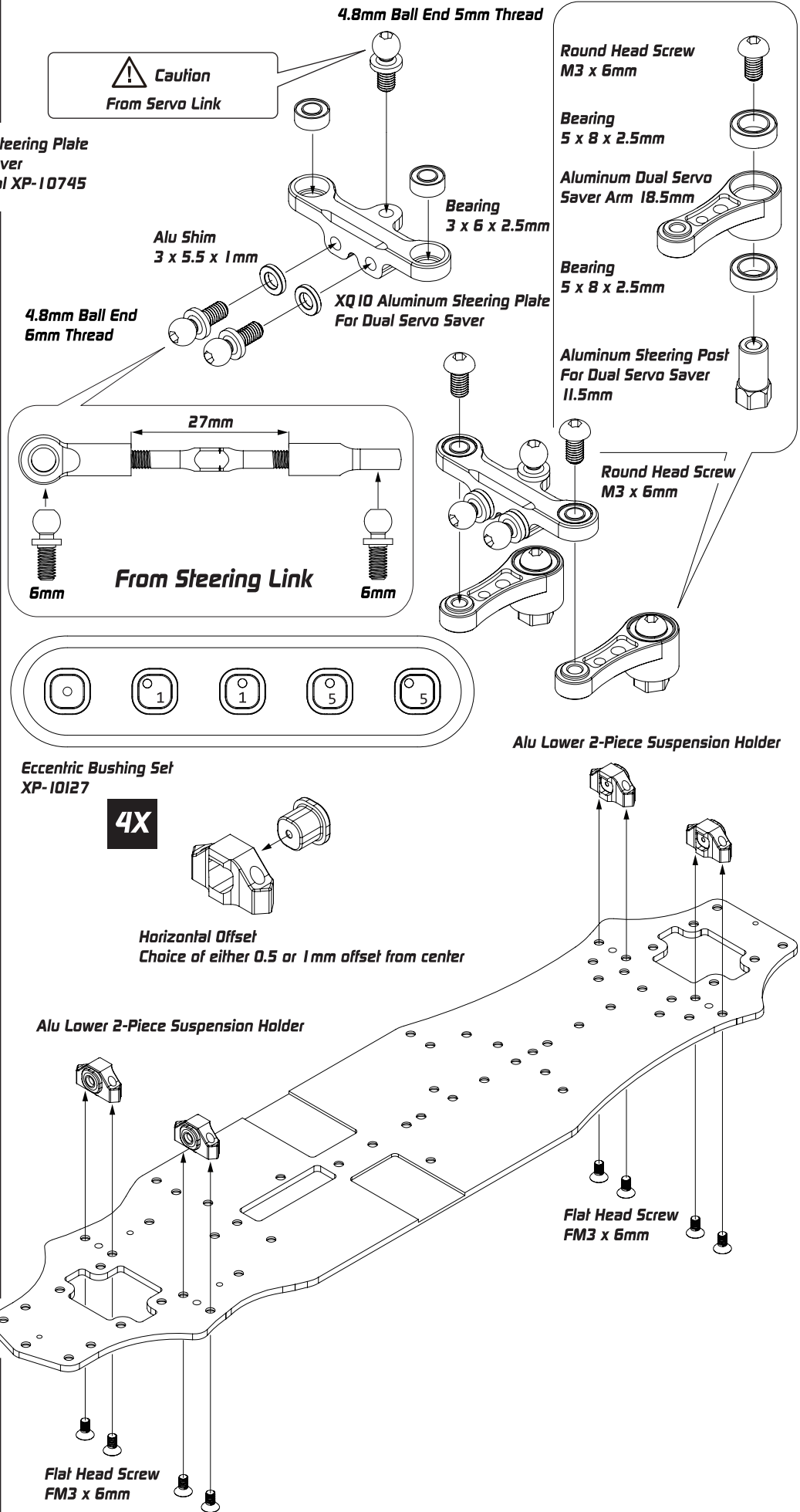
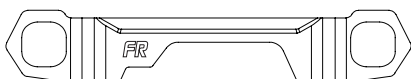
Lower Suspension Mount Spacer 0.5mm XP-10726

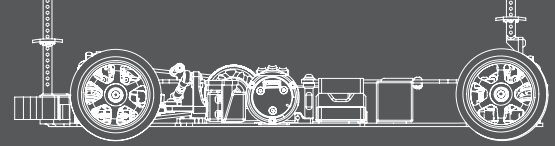


Aluminum FR One Piece Suspension Mount XP-10637

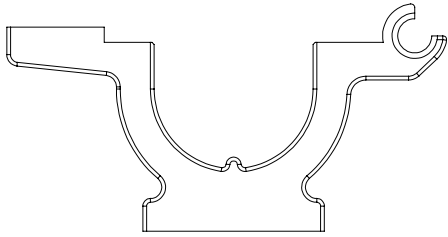


Brass FR One Piece Suspension Mount XP-10638

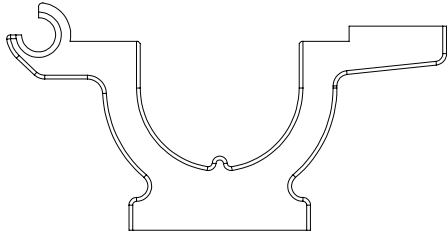




Bag G and Screw Bag



Separate Bulkhead Type A
XP-10588

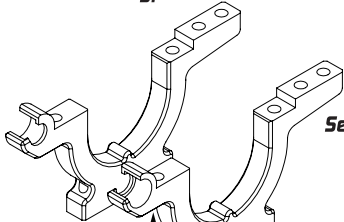


Separate Bulkhead Type B
XP-10589



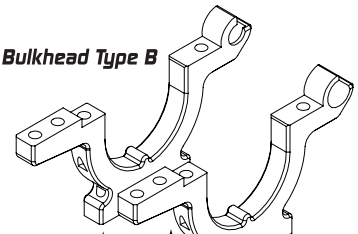
Flat Head Screw M3 x 6mm
XP-40046

Separate Bulkhead Type A



Separate Bulkhead Type B

Separate Bulkhead Type B



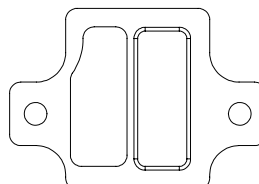
Separate Bulkhead Type A

Flat Head Screw M3 x 6mm

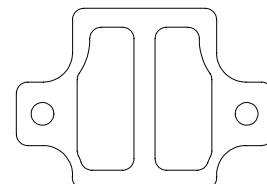
Flat Head Screw M3 x 6mm

Optional

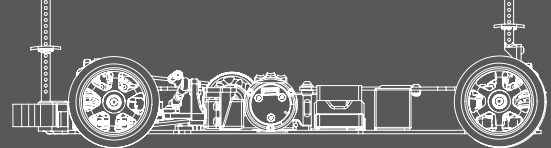
Brass/Graphite Lower Bulkhead Plate FOR XQ10 F/R
XP-10557



Brass

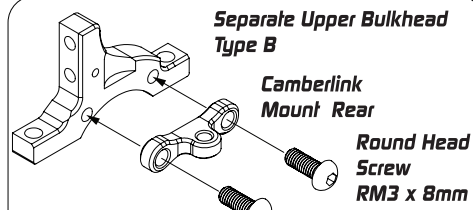


Graphite

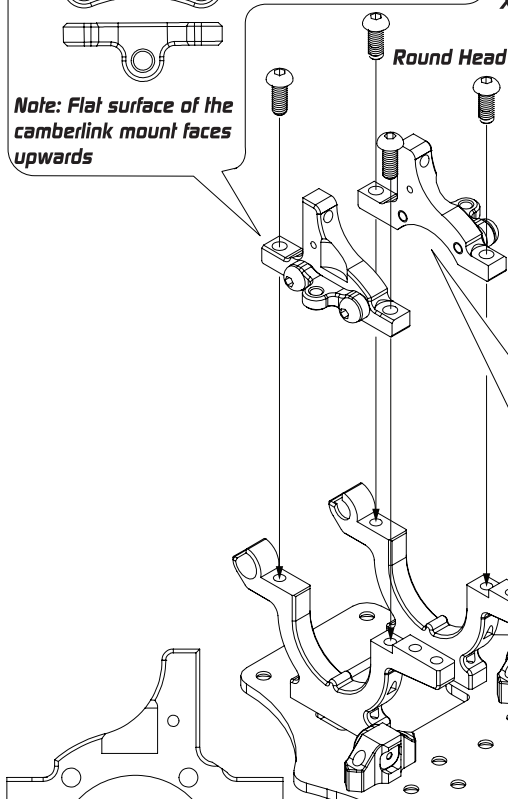


Bag F, H and Screw Bag

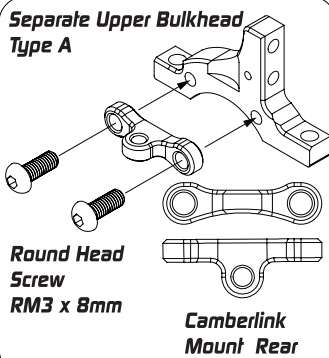
-  Flat Head Screw FM3 x 6mm
XP-40046
-  Flat Head Screw FM3 x 10mm
XP-40049
-  Round Head Screw RM3 x 8mm
XP-40038



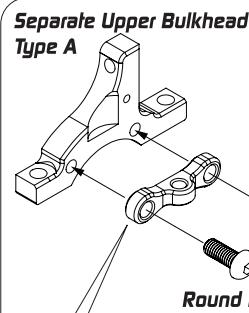
Note: Flat surface of the camberlink mount faces upwards



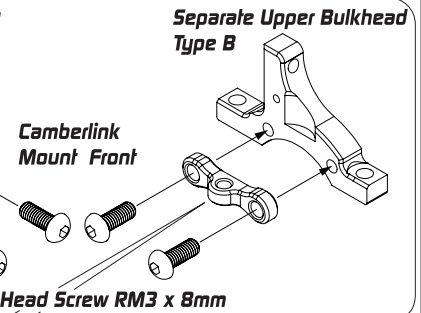
Bando Kevlar Drive Belt Front 3x249mm
XP-10731



Note: Flat surface of the camberlink mount faces upwards

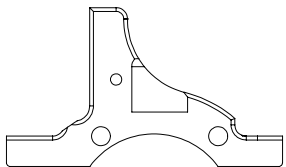


Note: Flat surface of the camberlink mount faces upwards

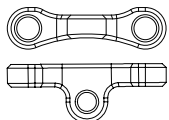
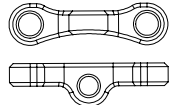


Round Head Screw RM3 x 8mm

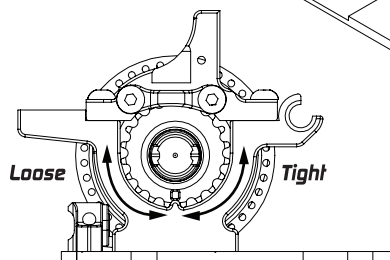
XQ 10 Separate Upper Bulkhead Type A
XP-10563

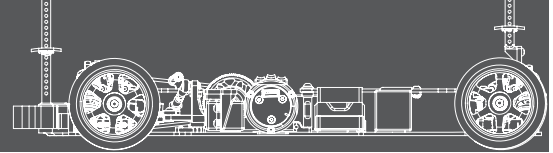


XQ 10 Separate Upper Bulkhead Type B
XP-10558

-  **Camberlink Mount Rear**
XP-10131
-  **Camberlink Mount Front**
XP-10105

Default Diff Position

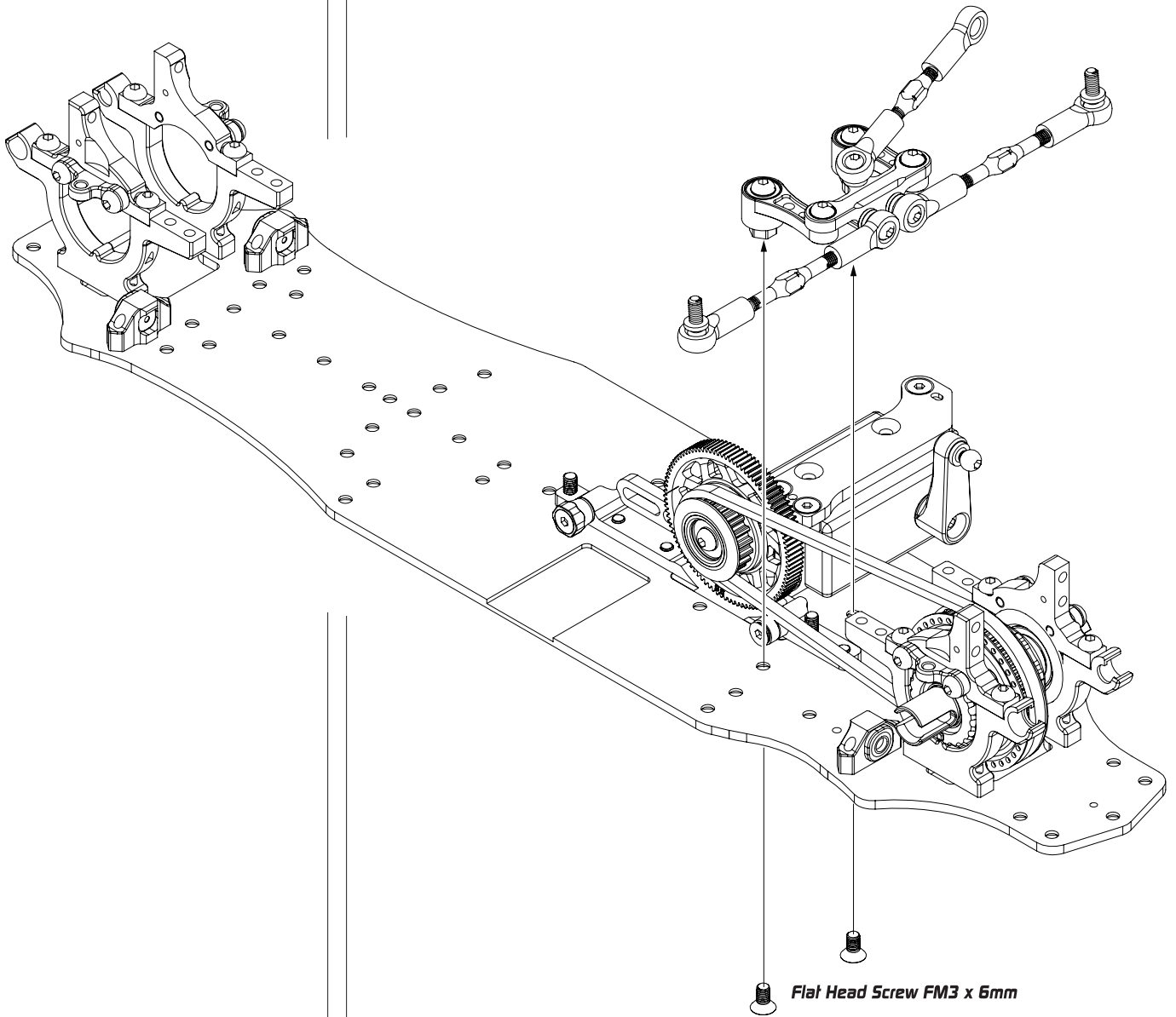


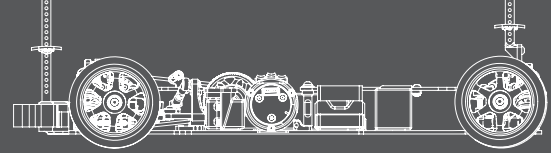


Screw Bag



Flat Head Screw FM3 x 6mm
XP-40046





Bag E , F , Carbon and Screw Bag



Belt Tensioner
XP-10163



Bearing 3 x 6 x 2.5mm
XP-40060



Flanged Bearing 3 x 6 x 2.5mm
XP-40126



Spacer 3 x 5 x 0.2mm
XP-40066



Round Head Screw RM3 x 6mm
XP-40037



Round Head Screw RM3 x 8mm
XP-40038



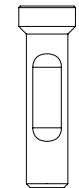
Round Head Screw
RM3 x 16mm XP-40042



Nut 3 x 5.5mm
XP-40067

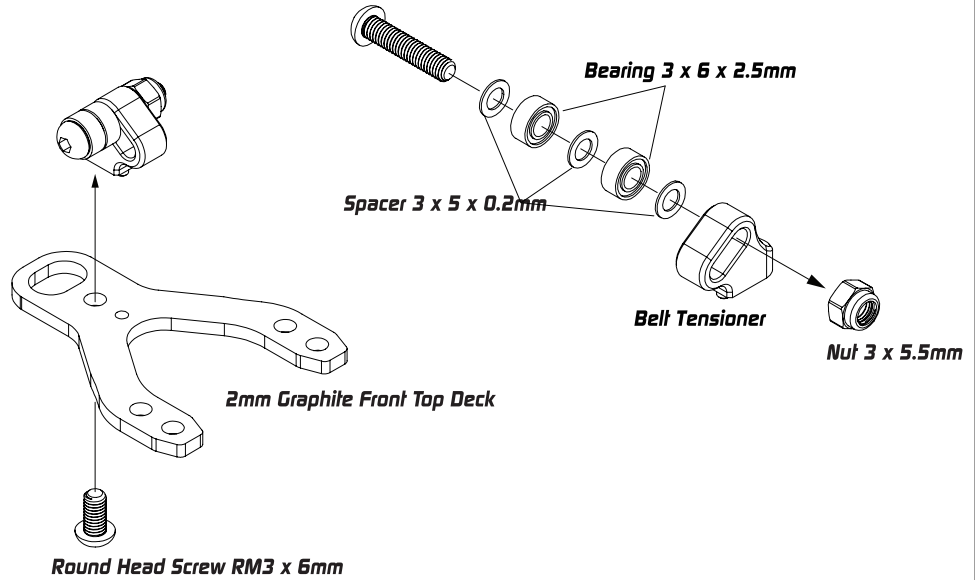


Composite Upper Deck Collar
For Flex Elimination
XP-10739 Optional XP-10683



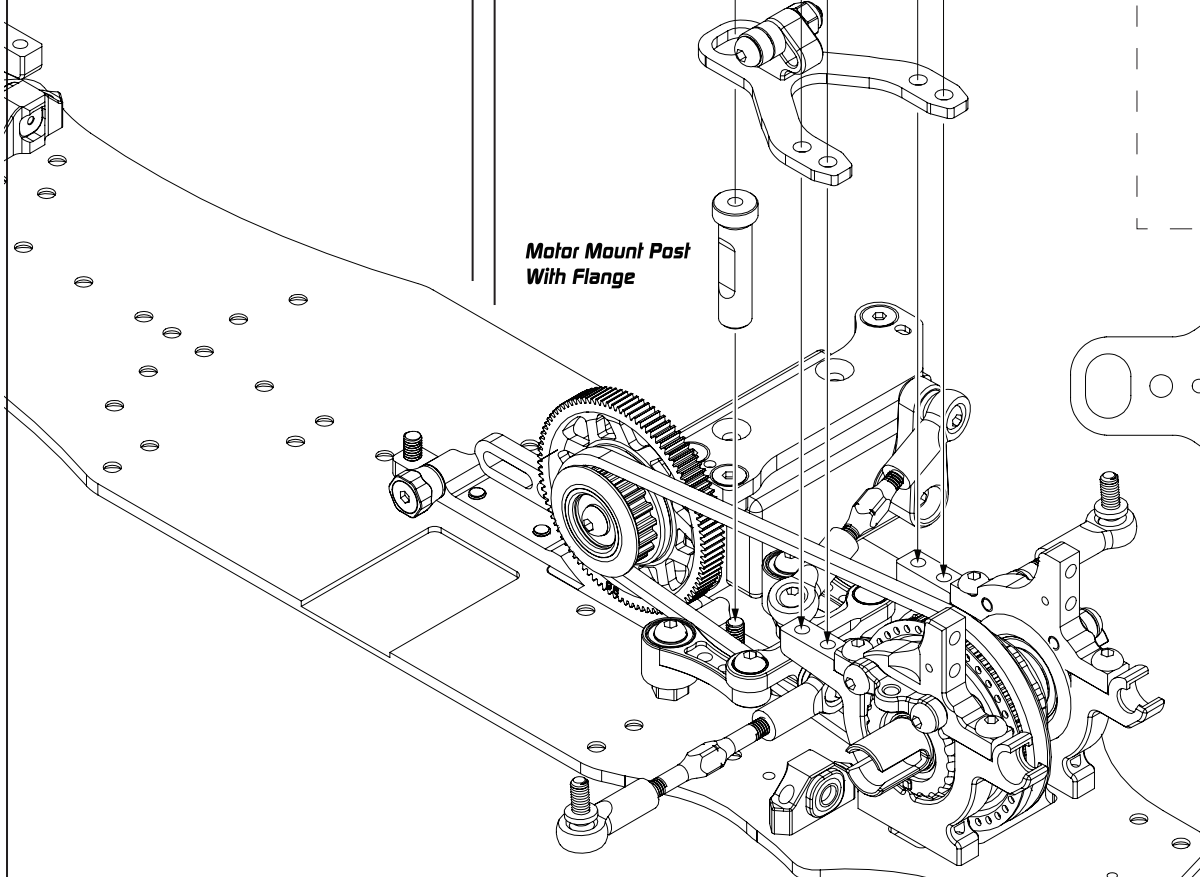
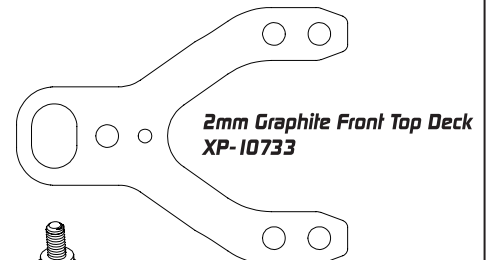
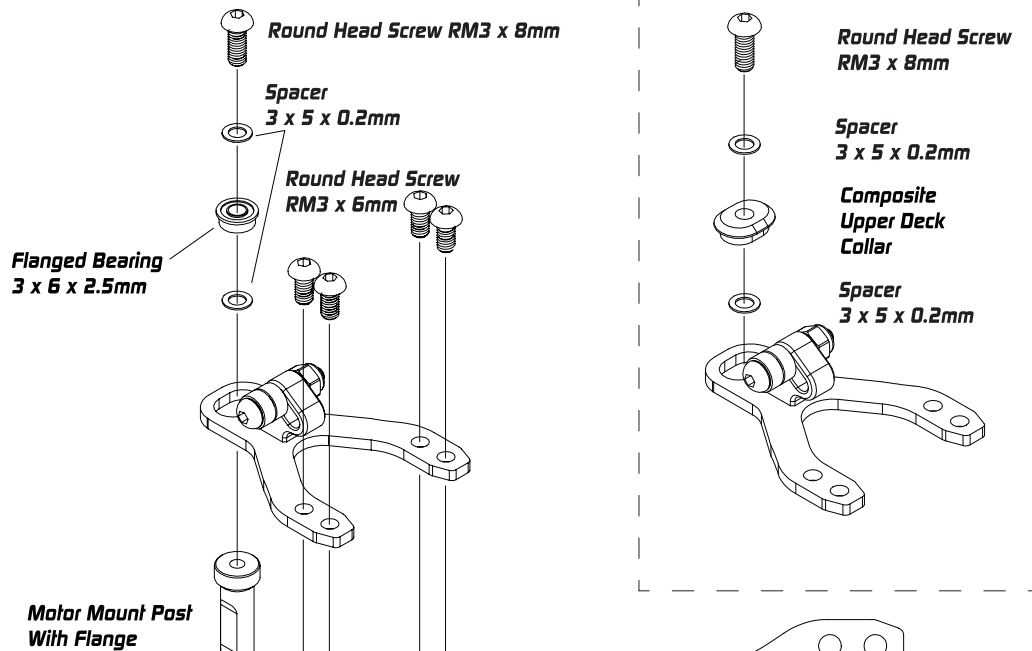
Motor Mount Post With Flange
XP-10738

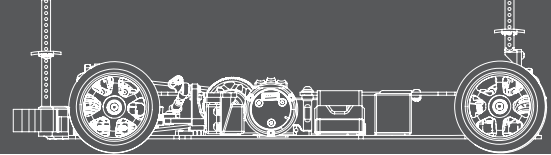
Round Head Screw M3 x 16mm



High Flex Setup (Default)

No Flex Setup





Bag F , G , Carbon and Screw Bag



Flanged Bearing 3 x 6 x 2.5mm
XP-40126



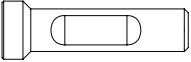
Spacer 3 x 5 x 0.2mm
XP-40066



Round Head Screw RM3 x 6mm
XP-40037

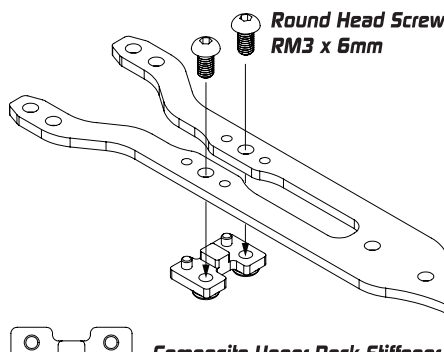


Round Head Screw RM3 x 8mm
XP-40038

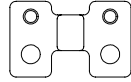


Motor Mount Post With Flange
XP-10738

Low Flex Setup (Default)

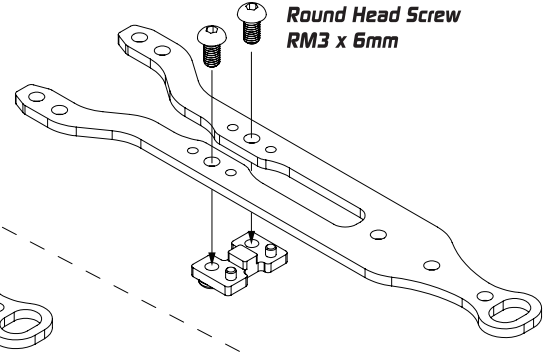


Round Head Screw RM3 x 6mm



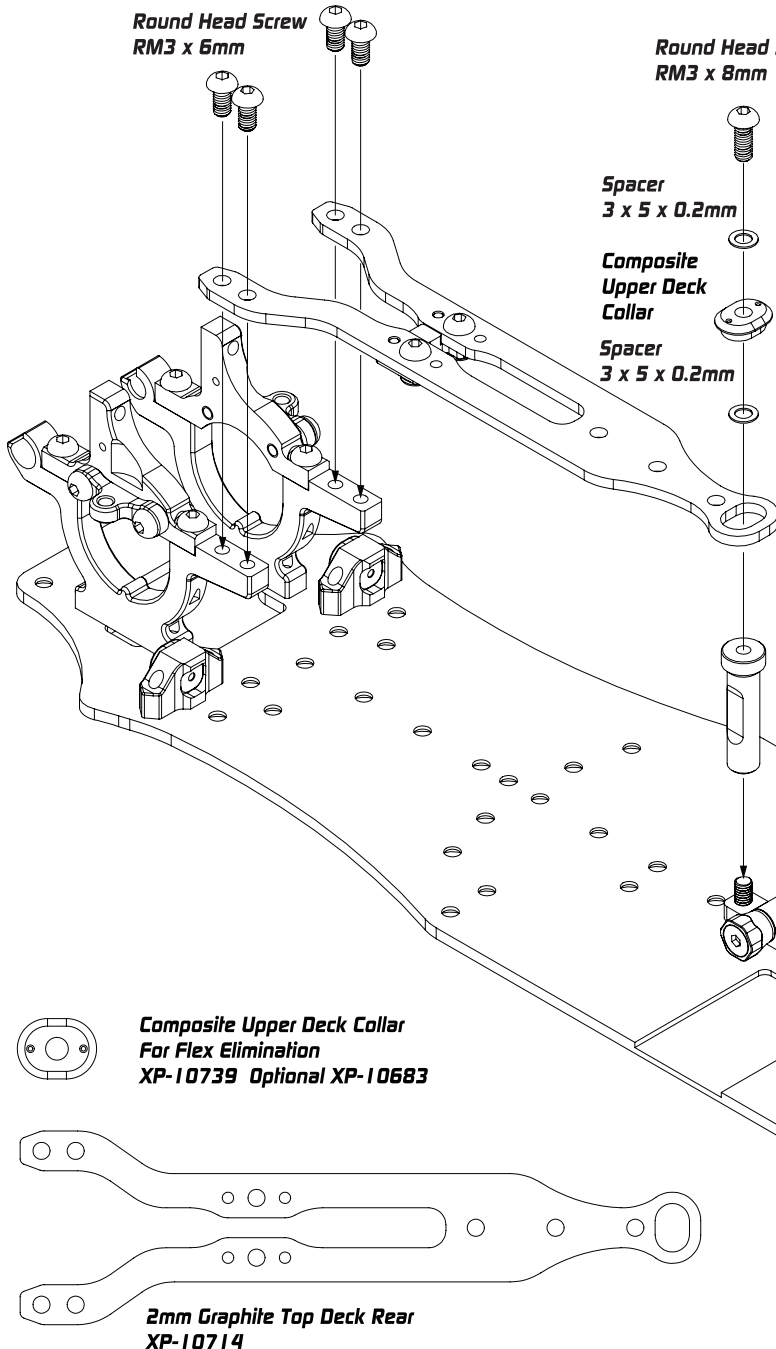
Composite Upper Deck Stiffener
XP-10643 Optional XP-10566

Medium Low Flex Setup



Round Head Screw RM3 x 6mm

Low Flex Setup (Default)



Round Head Screw RM3 x 6mm

Round Head Screw RM3 x 8mm

Spacer 3 x 5 x 0.2mm

Composite Upper Deck Collar

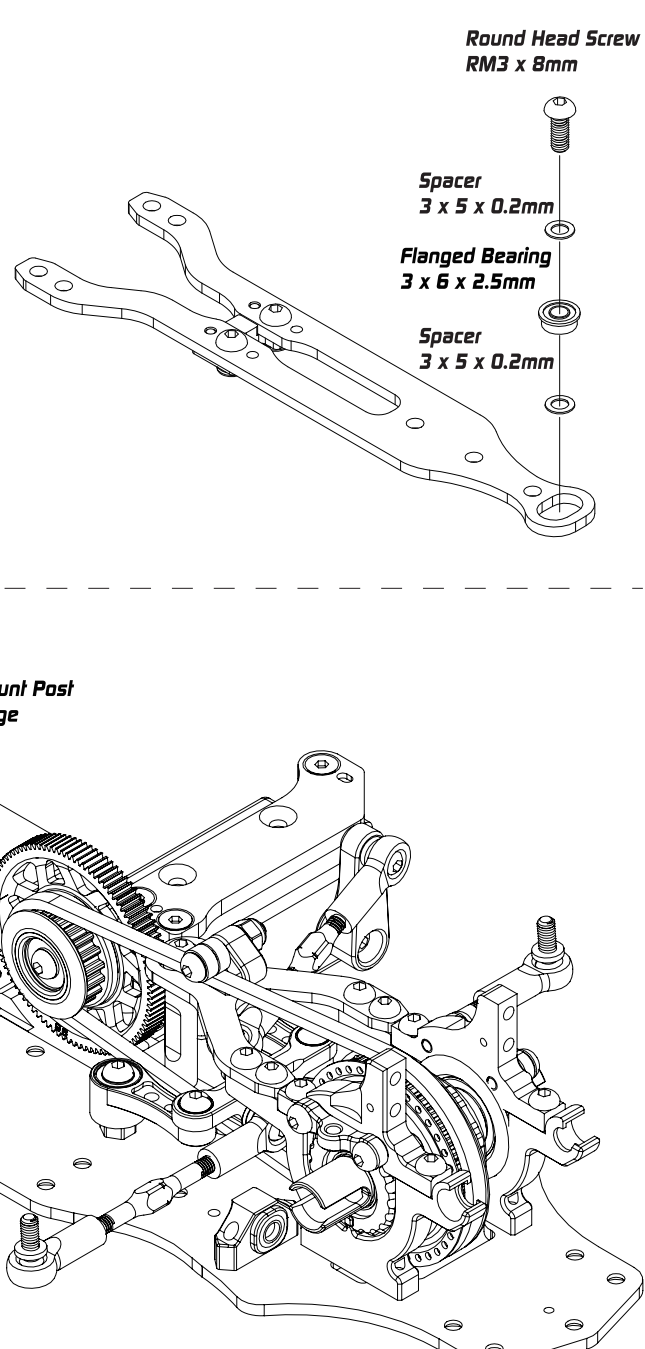
Spacer 3 x 5 x 0.2mm

Motor Mount Post With Flange

Composite Upper Deck Collar For Flex Elimination
XP-10739 Optional XP-10683

2mm Graphite Top Deck Rear
XP-10714

High Flex Setup

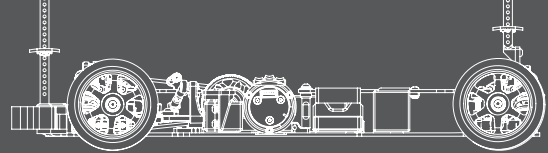


Round Head Screw RM3 x 8mm

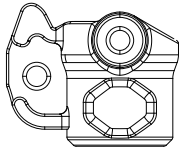
Spacer 3 x 5 x 0.2mm

Flanged Bearing 3 x 6 x 2.5mm

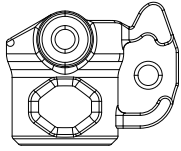
Spacer 3 x 5 x 0.2mm



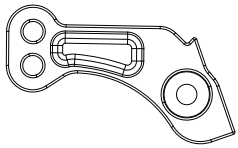
Bag I, Bag Bearing and Screw Bag



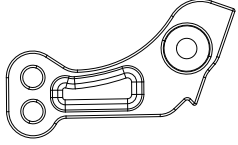
Composite Steering Block Right
XP-10109
Optional XP-10247



Composite Steering Block Left
XP-10109
Optional XP-10247



Composite Steering Block Plate Right
XP-10109
Optional XP-10247



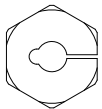
Composite Steering Block Plate Left
XP-10109
Optional XP-10247



Bearing 5 x 10 x 3mm
XP-40063



Bearing 5 x 10 x 4mm
XP-40064



Alu Wheel Hub Red
XP-10129
Optional XP-20015, XP-20016



Pin 2 x 9.8mm
XP-40069



Round Head Screw M3 x 8mm
XP-40038



Cap Head Screw M1.6 x 4mm
XP-10129



Hex Set Screw M3 x 2mm
XP-40051



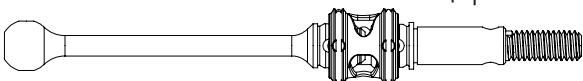
5 x 7 x 0.2mm Spacer
XP-40086



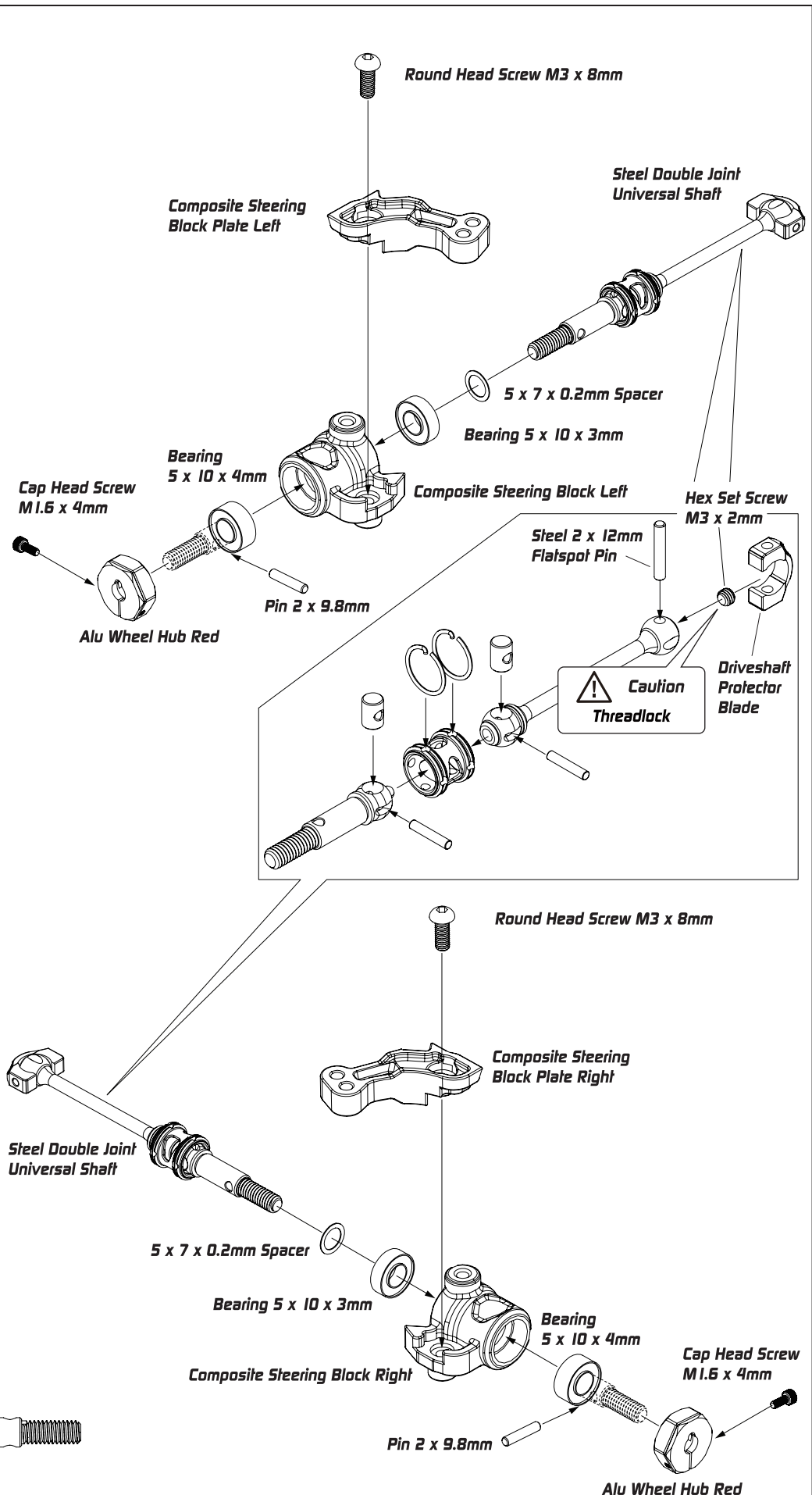
Steel 2 x 12mm Flatspot Pin for Universal
XP-40071

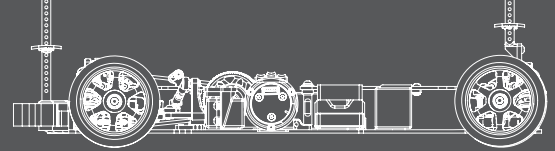


Driveshaft Protector Blade
XP-10128

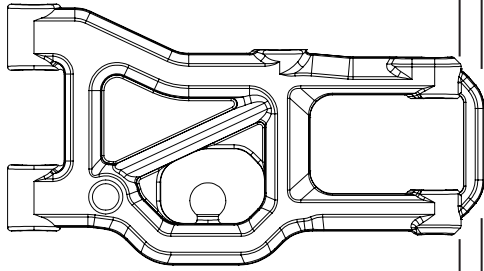


Steel Double Joint Universal Shaft
XP-10166
Optional XP-10334

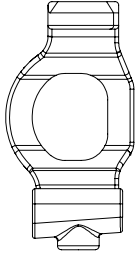




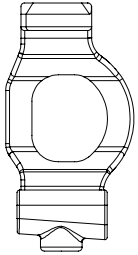
Bag 1, Spacer and Bag Screw



Front Composite Suspension Arm (Strong)
XP-10603 Optional XP-10597



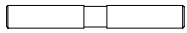
Composite C Hub 4 Degree L (Strong)
XP-10604 Optional XP-10598



Composite C Hub 4 Degree R (Strong)
XP-10604 Optional XP-10598



Suspension Pivot Pin 3 x 42mm
XP-10139



3mm Outer Suspension Pin w/ Groove
XP-10602



Alu Shim 3 x 5.5 x 1mm
XP-10119 / XP-10240



Set Screw M3 x 3mm
XP-40052

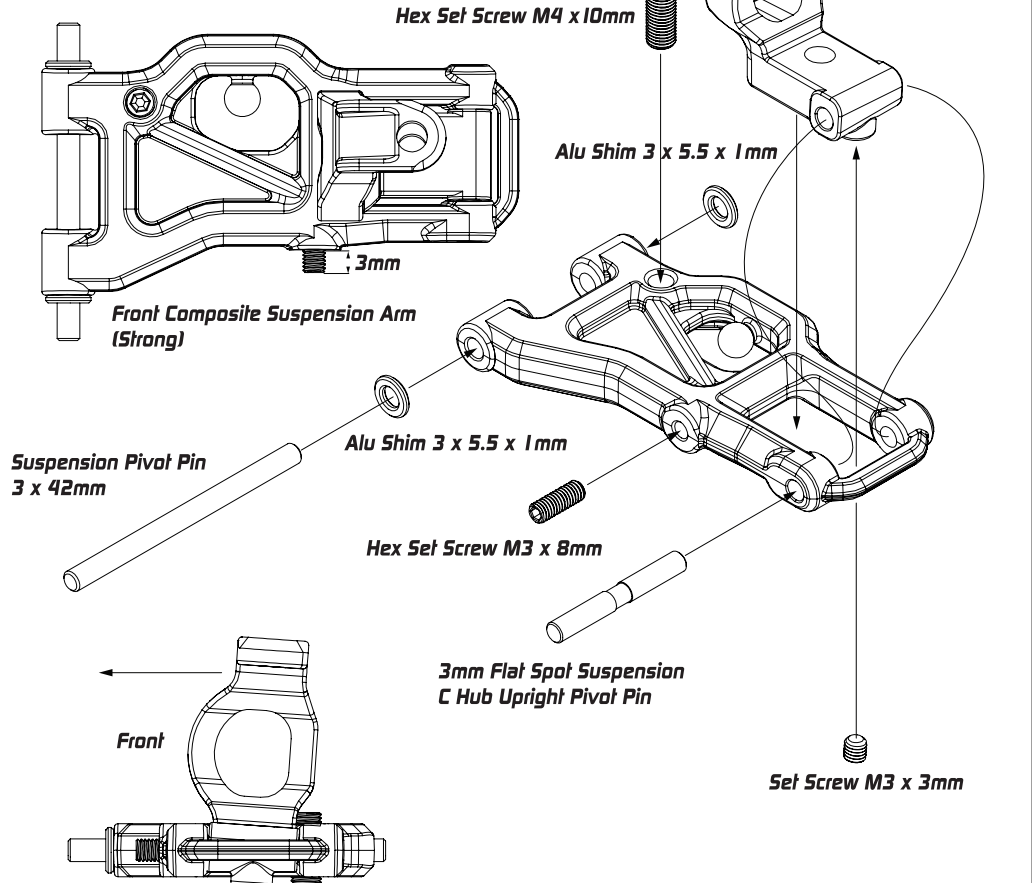
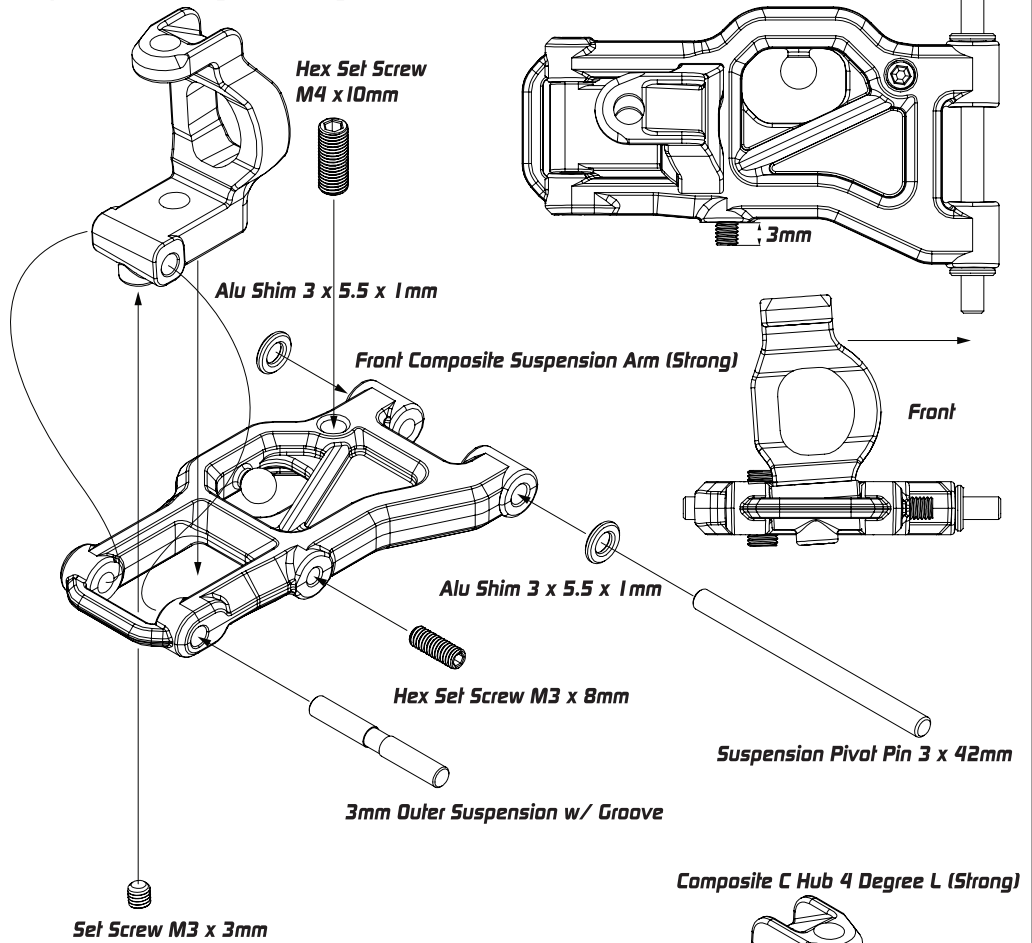


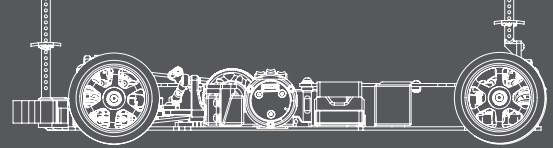
Hex Set Screw M4 x 10mm
XP-40056



Hex Set Screw M3 x 8mm
XP-40054

Composite C Hub 4 Degree R (Strong)



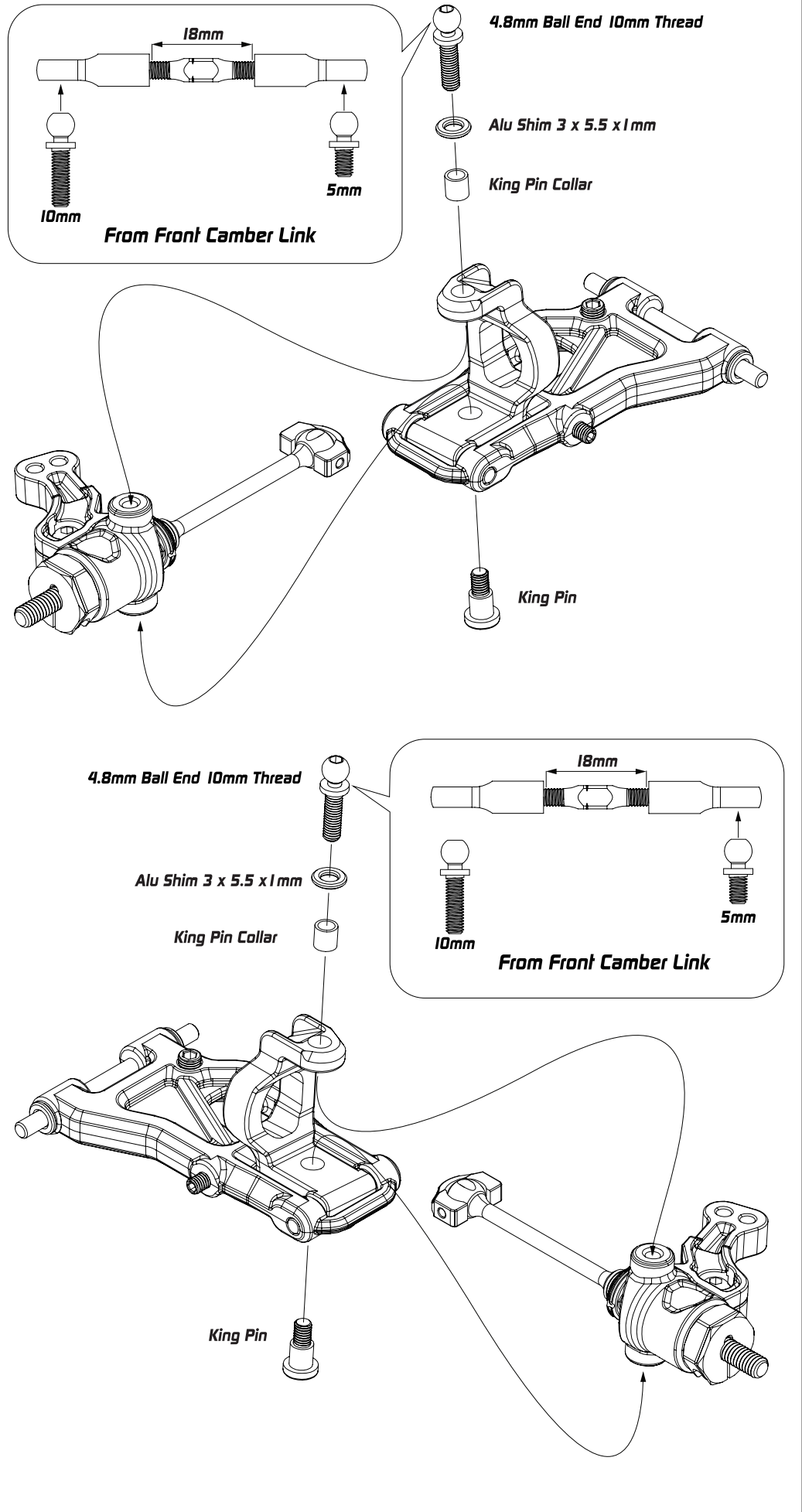


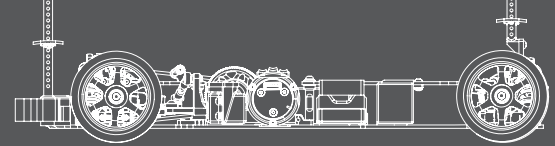
Bag 1 and Bag Spacer

 **King Pin Collar**
XP-10164

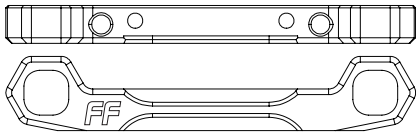
 **Alu Shim 3 x 5.5 x 1 mm**
XP-10119 / XP-10240

 **King Pin**
XP-10164





Bag G , Bag I ,Screw Bag and Bag Spacer



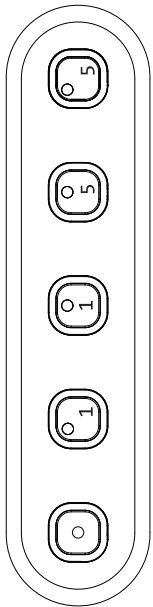
Alu Front Lower I-Piece Suspension Holder - FF
XP-10114



Alu Shim 3 x 5.5 x 1 mm
XP-10119 / XP-10240

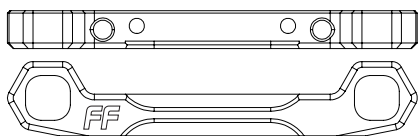


Flat Head Screw M3 x 6mm
XP-40046

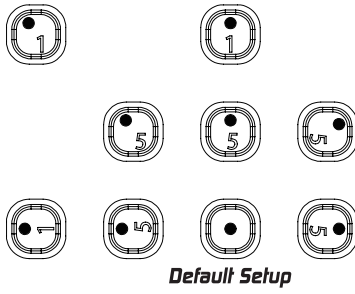


Eccentric Bushing Set
XP-10127

Optional



Brass Front Lower I-Piece Suspension Holder - FF
XP-10199



Default Setup



Diagonal Offset
Use either 0.5 or 1mm to shift the roll center in a diagonal direction from the center

Eccentric Bushing Set



Alu Front Lower I-Piece Suspension Holder - FF



Horizontal Offset
Choice of either 0.5 or 1mm offset from center

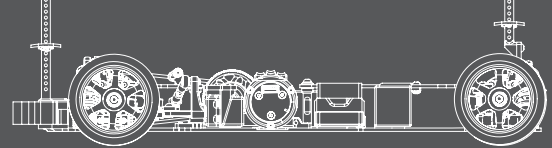
Caution
Alu Shim 3 x 5.5 x 1 mm

Caution
Alu Shim 3 x 5.5 x 1 mm

Flat Head Screw M3 x 6mm

Alu Front Lower I-Piece Suspension Holder - FF

Alu Shim 3 x 5.5 x 1 mm



Bag 1, Spacer, Bearing and Screw

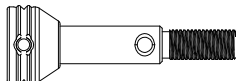
 **Bearing 5 x 10 x 4mm**
XP-40064

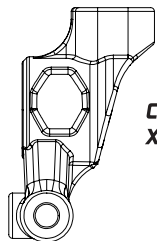
 **Alu Wheel Hub**
XP-10129

 **Pin 2 x 9.8mm**
XP-40069

 **Alu Shim 3 x 5.5 x 1mm**
XP-10119 / XP-10240

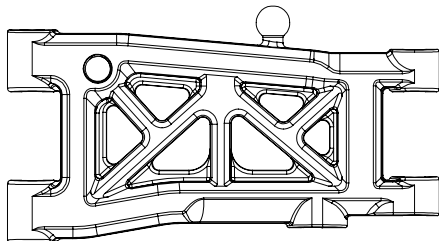
 **Suspension Pivot Pin 3 x 42mm**
XP-10139

 **Rear Axle**
XP-10576

 **Composite Rear Upright (Strong)**
XP-10605 Optional XP-10599

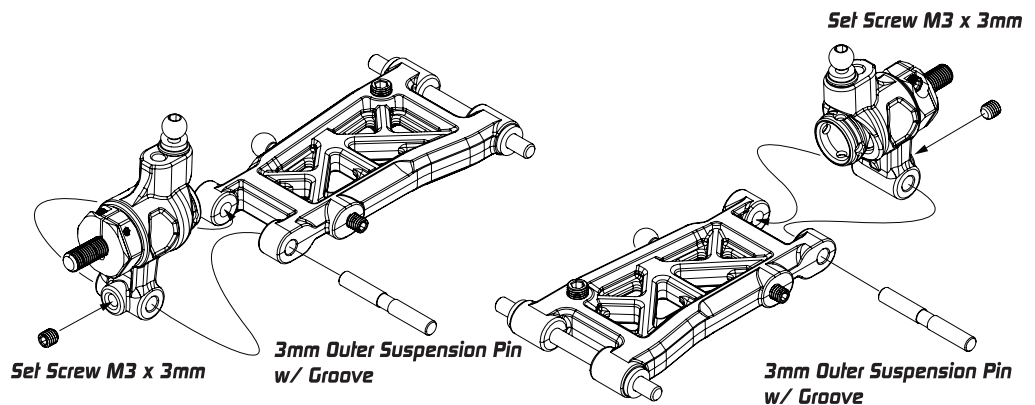
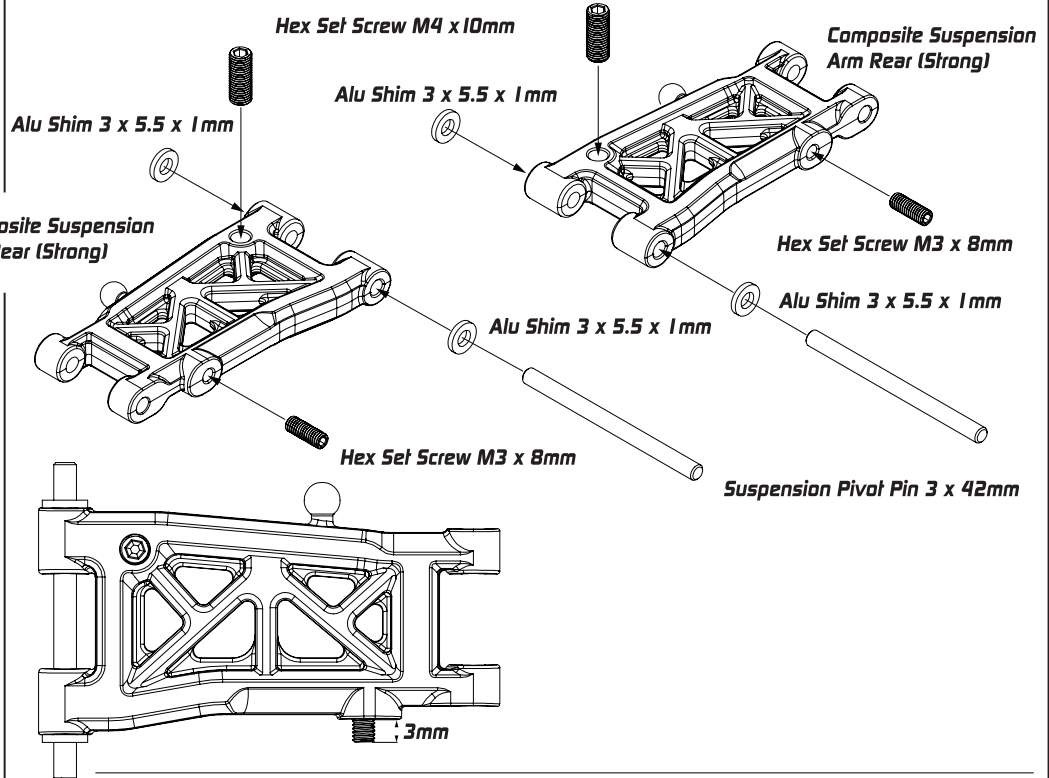
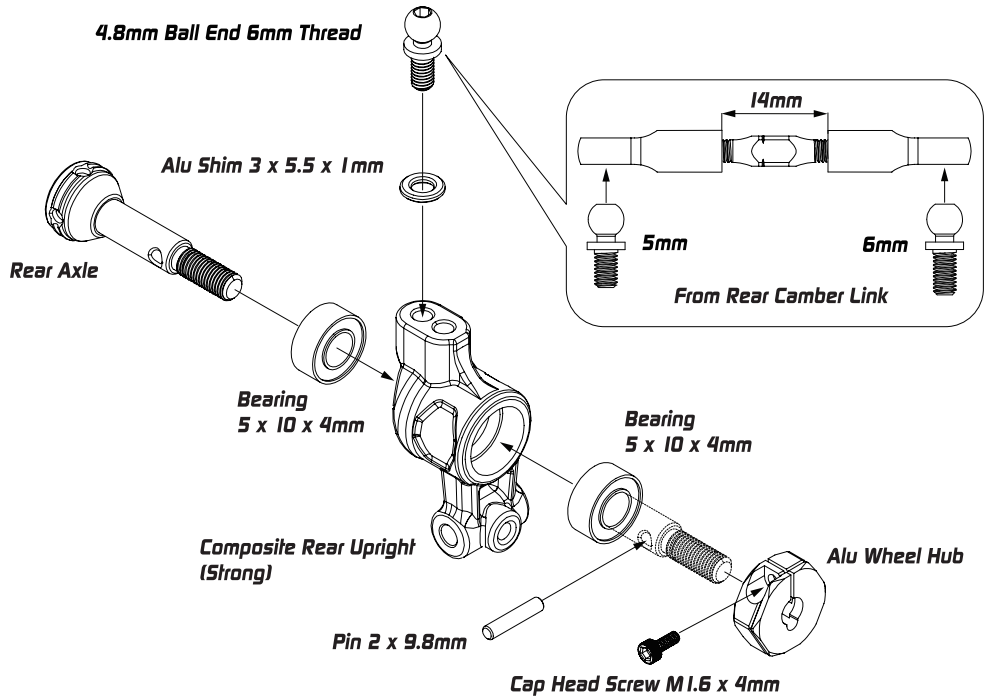
 **Set Screw M3 x 3mm**
XP-40052

 **3mm Outer Suspension Pin w/ Groove**
XP-10602

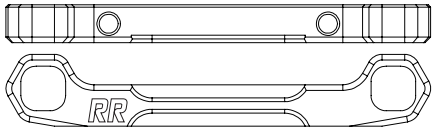
 **Composite Suspension Rear (Strong)**
XP-10606 Optional XP-10597

 **Hex Set Screw M4 x 10mm**
XP-40056

 **Hex Set Screw M3 x 8mm**
XP-40054



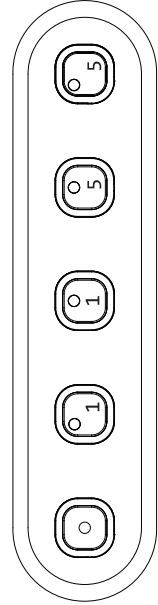
Bag G, Bag J, Spacer Bag and Screw



Alu Rear Lower 1-Piece Suspension holder - RR
XP-10124



Flat Head Screw M3 x 6mm
XP-40046

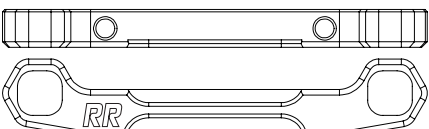


Eccentric Bushing Set
XP-10127



Alu Shim 3 x 5.5 x 1 mm
XP-10119 / XP-10240

Optional



Brass RR 1 Piece Suspension Mount
XP-10200



Default Setup

Diagonal Offset

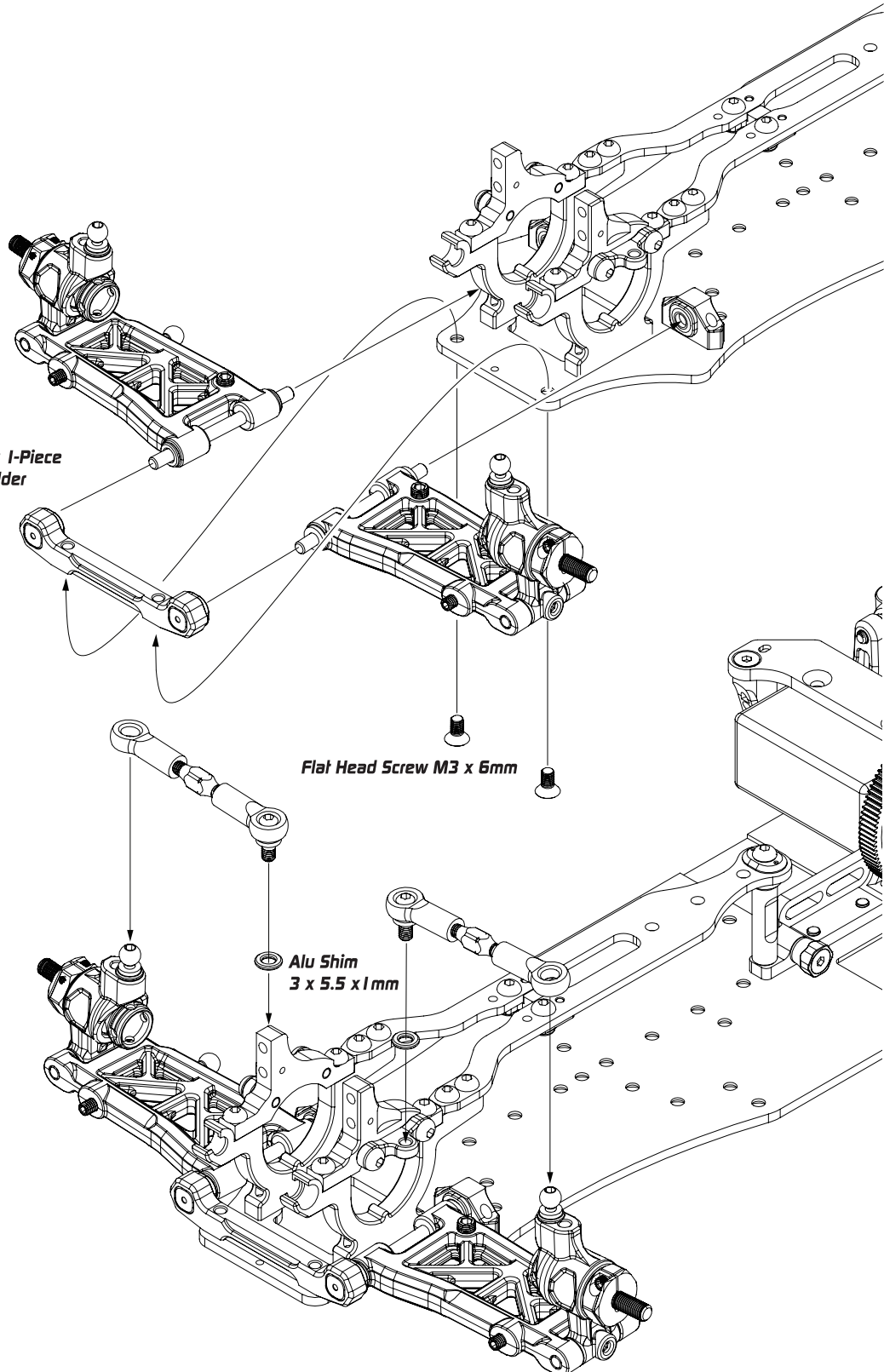
Use either 0.5 or 1 mm to shift the roll center in a diagonal direction from the center.

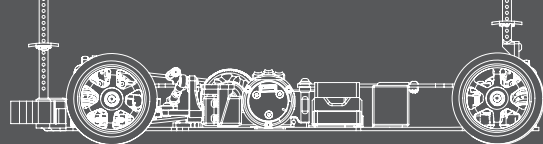
Alu Rear Lower 1-Piece Suspension holder - RR

Horizontal Offset

Choice of either 0.5 or 1 mm offset from center

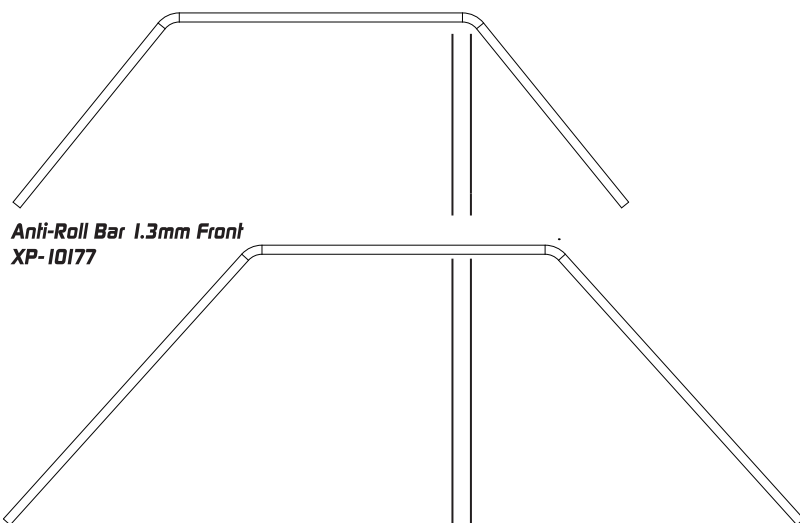
Eccentric Bushing Set





Bag K , Bearing and Screw Bag

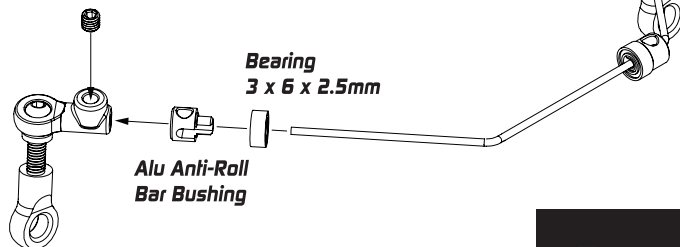
Front



Anti-Roll Bar 1.3mm Front
XP-10177

Anti-Roll Bar 1.3mm Rear
XP-10177

Set Screw M3 x 3mm

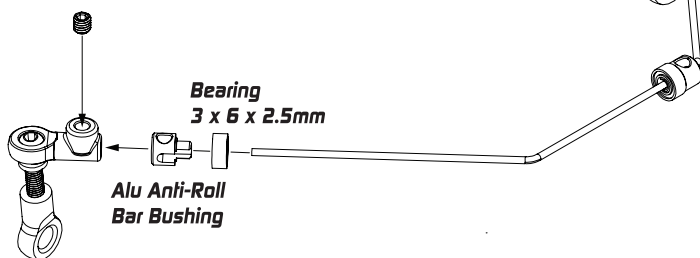


Bearing
3 x 6 x 2.5mm

Alu Anti-Roll
Bar Bushing

Rear

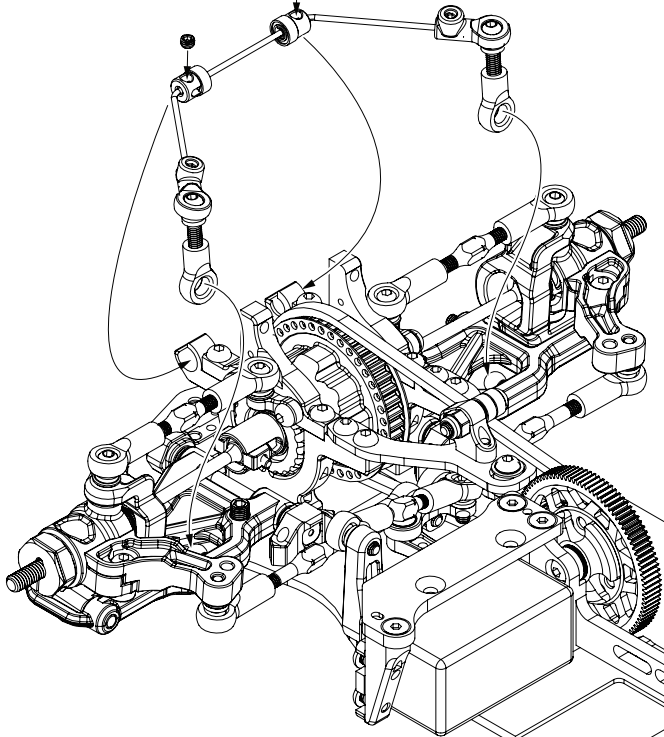
Set Screw M3 x 3mm



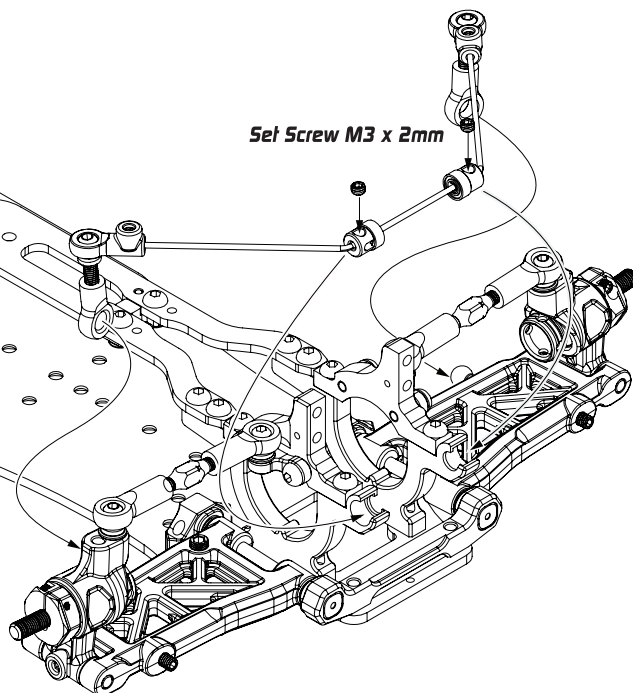
Bearing
3 x 6 x 2.5mm

Alu Anti-Roll
Bar Bushing

Set Screw M3 x 2mm



Set Screw M3 x 2mm



Set Screw M3 x 2mm
XP-40051



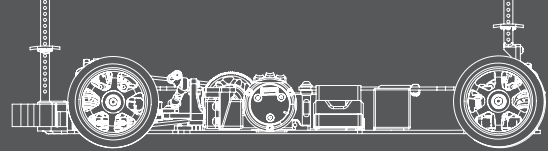
Set Screw M3 x 3mm
XP-40052



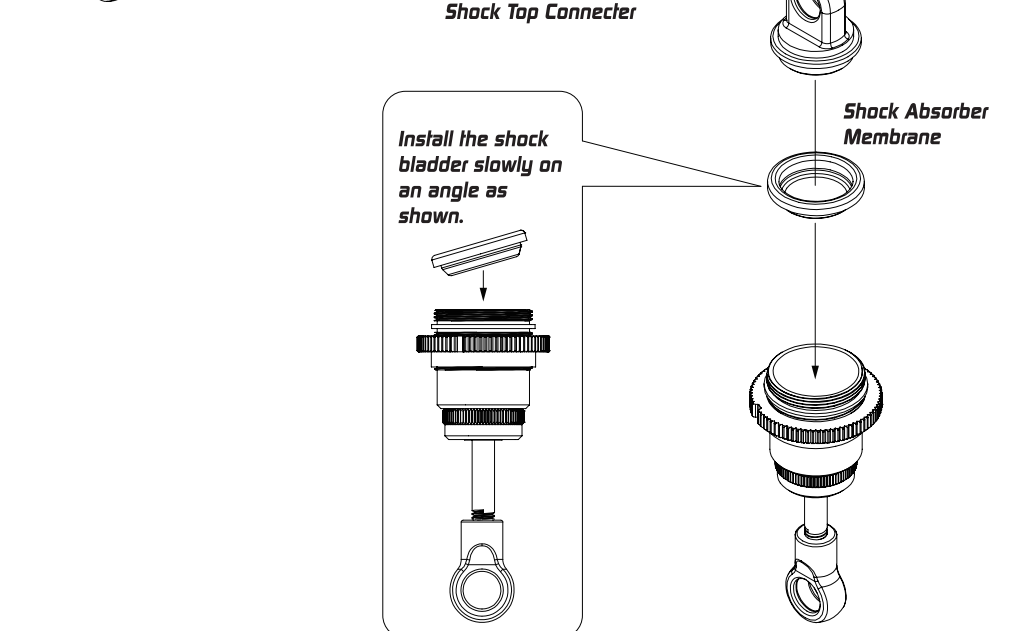
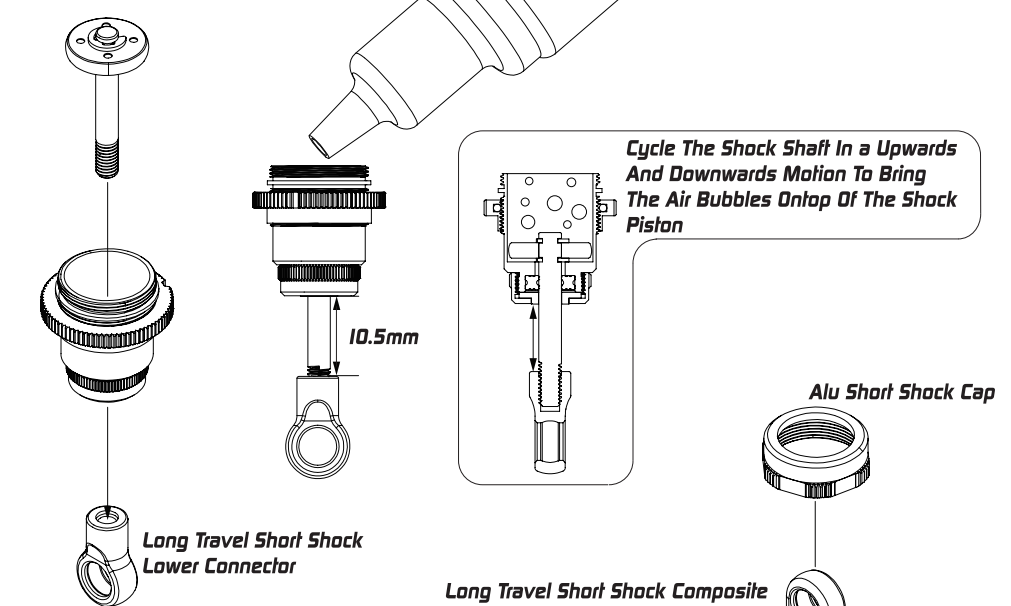
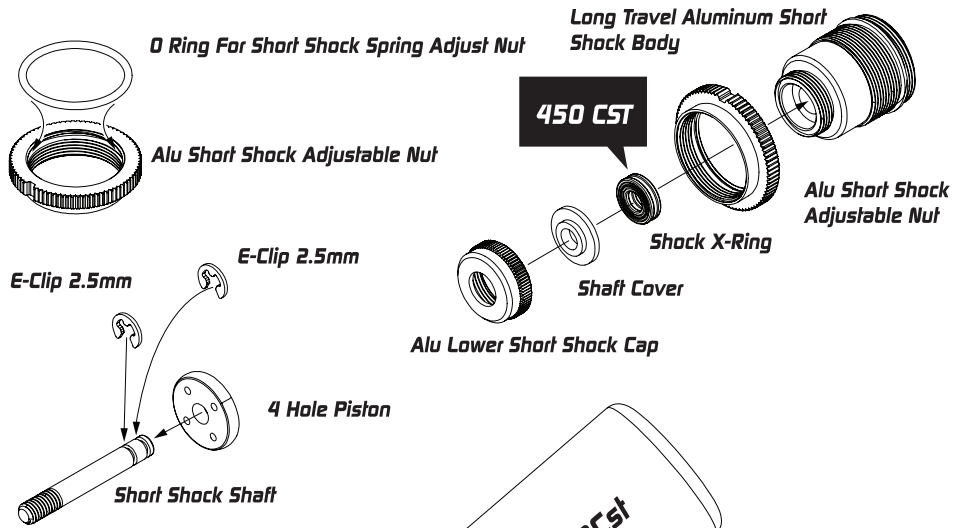
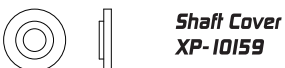
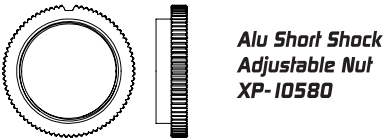
Bearing 3 x 6 x 2.5mm
XP-40060

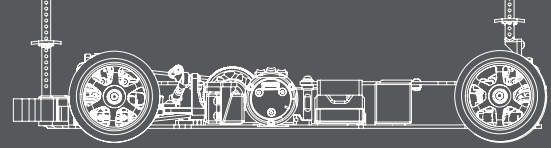


Alu Anti-Roll Bar Bushing
XP-10152

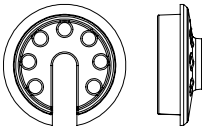


Bag L and Oil Bag

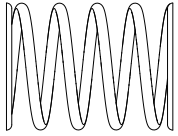




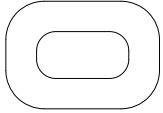
Bag L , Carbon , Spacer and Screw Bag



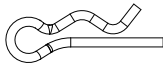
Short Spring Retainer
XP-10724



Shock Spring Medium Silver
XP-10169
Optional
XP-10168 (Soft)
XP-10170 (Stiff)



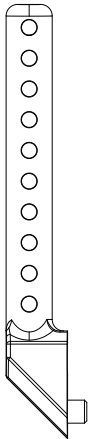
Body Height Adjuster Support
XP-10561



Body Clip
XP-10055



Round Head Screw M3 x 6mm
XP-40037



Rear Body Post
XP-10561



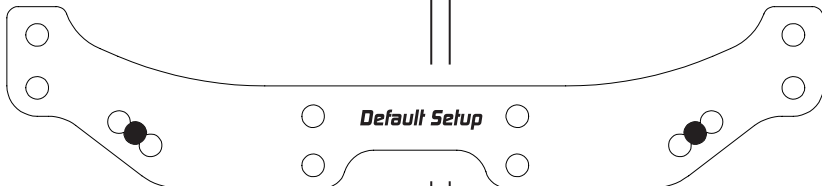
Alu Shim 3 x 5.5 x 1mm
XP-10119 / XP-10240



Pivot Ball 5.5 mm
XP-10121



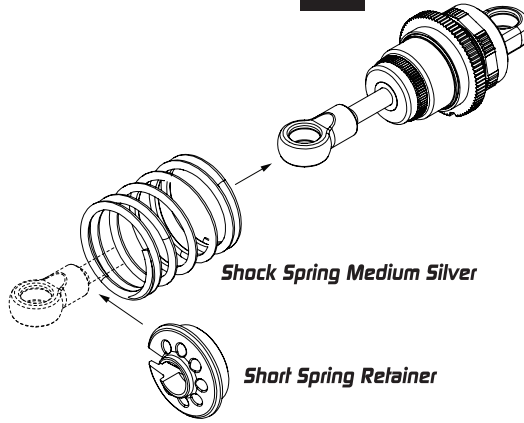
Round Head Screw M3 x 8mm
XP-40038



Default Setup

XQ10 Shock Tower Rear 3.0mm Graphite
(Short Shock)
XP-10560

4X

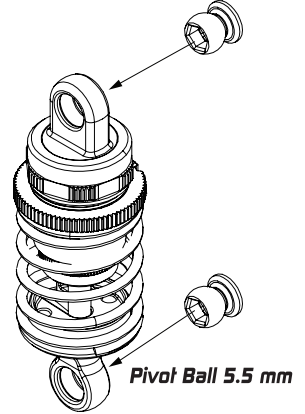


Shock Spring Medium Silver

Short Spring Retainer

4X

Pivot Ball 5.5 mm

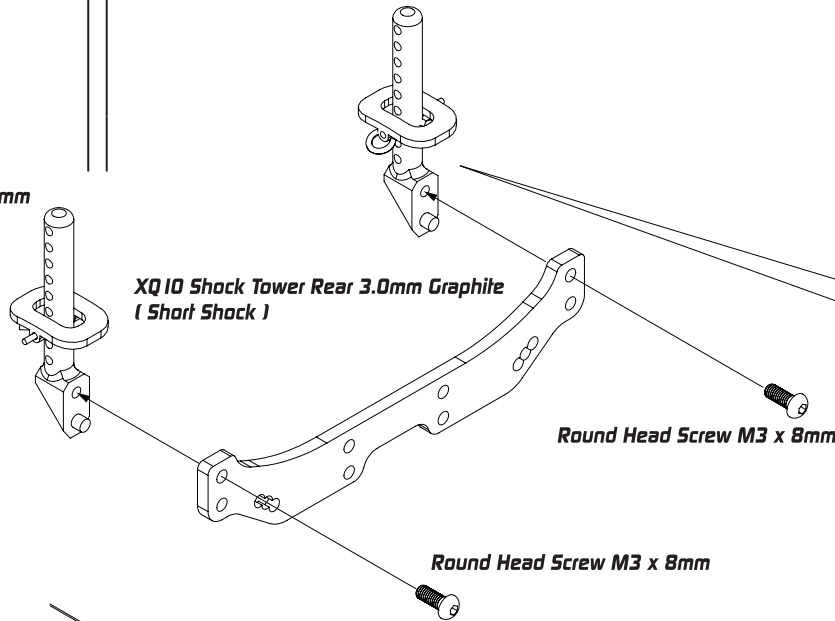
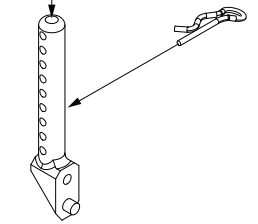


Pivot Ball 5.5 mm

Body Height Adjuster Support



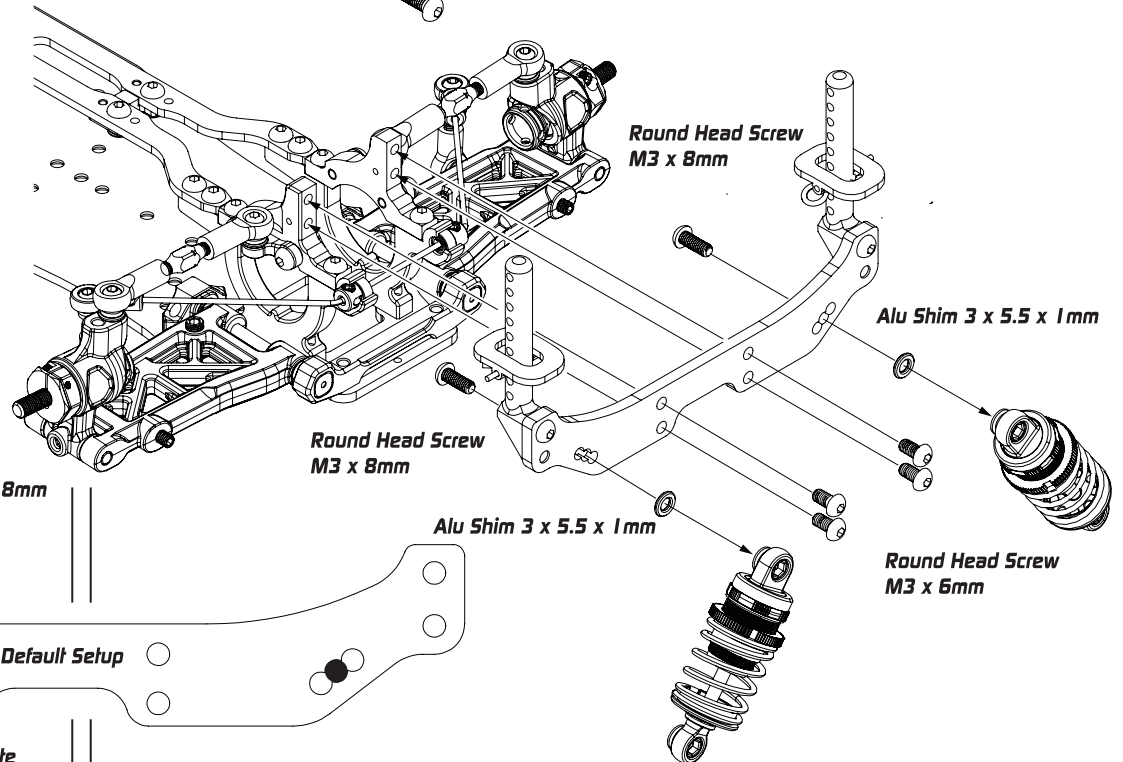
Body Clip



XQ10 Shock Tower Rear 3.0mm Graphite
(Short Shock)

Round Head Screw M3 x 8mm

Round Head Screw M3 x 8mm



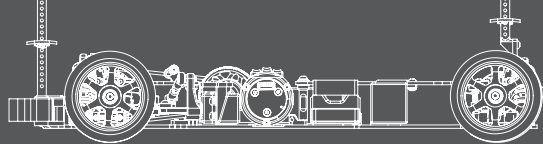
Round Head Screw
M3 x 8mm

Alu Shim 3 x 5.5 x 1mm

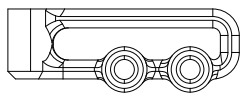
Round Head Screw
M3 x 8mm

Alu Shim 3 x 5.5 x 1mm

Round Head Screw
M3 x 6mm



Bag L , Carbon , Spacer and Screw Bag



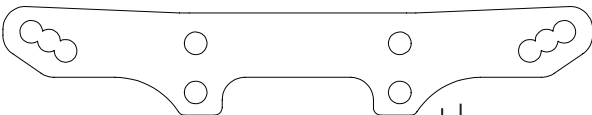
Composite Lipo Battery Backstop
XP-10180 Optional XP-10192 , XP-10654



Flat Head Screw M3 x 8mm
XP-40048



Flat Head Screw M3 x 6mm
XP-40046



XQ10 Shock Tower Front 3.0mm Graphite
(Short Shock)
XP-10559



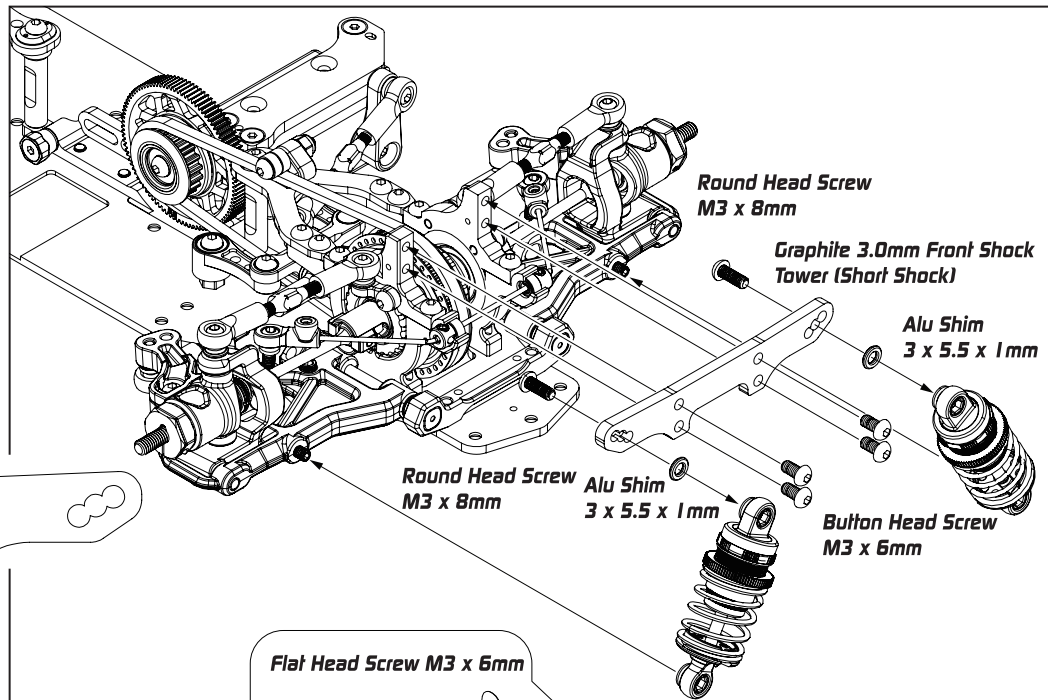
Alu Shim 3 x 5.5 x 1mm
XP-10119 / XP-10240



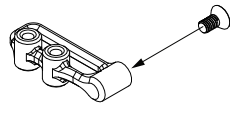
Round Head Screw M3 x 6mm
XP-40037



Round Head Screw RM3 x 8mm
XP-40038

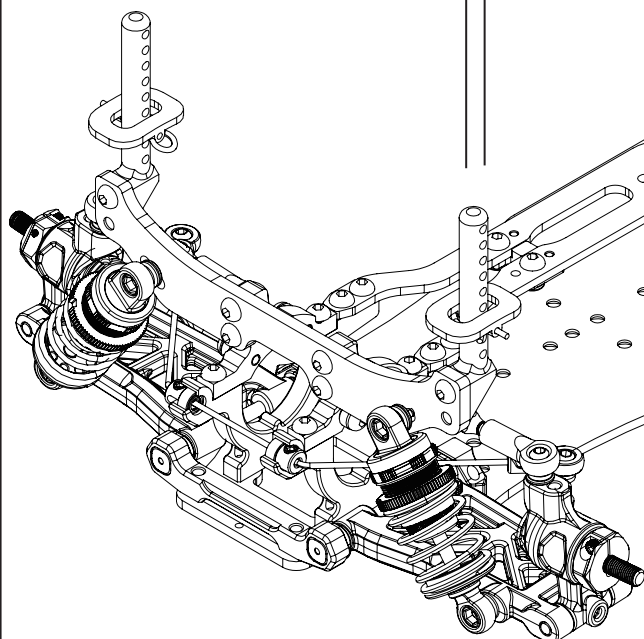


Flat Head Screw M3 x 6mm



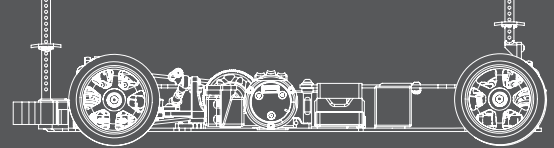
Composite Lipo Battery Backstop

Composite Lipo Battery Backstop

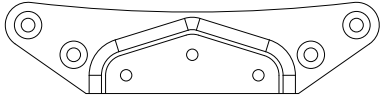


Flat Head Screw M3 x 8mm

Flat Head Screw M3 x 8mm



Bag C and Screw Bag



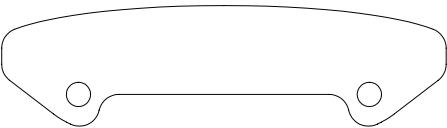
Lower Bumper
XP-10561



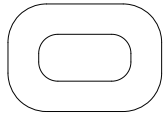
Limited Edition Front Aluminum Bumper Plate
XP-10736



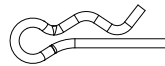
Front Body Post
XP-10561



Foam Bumper
XP-10721



Body Height Adjuster Support
XP-10561



Body Clip
XP-10055



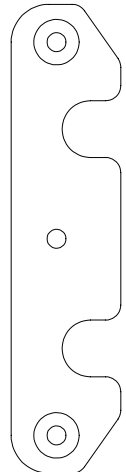
Flat Head Screw FM3 x 6mm
XP-40046



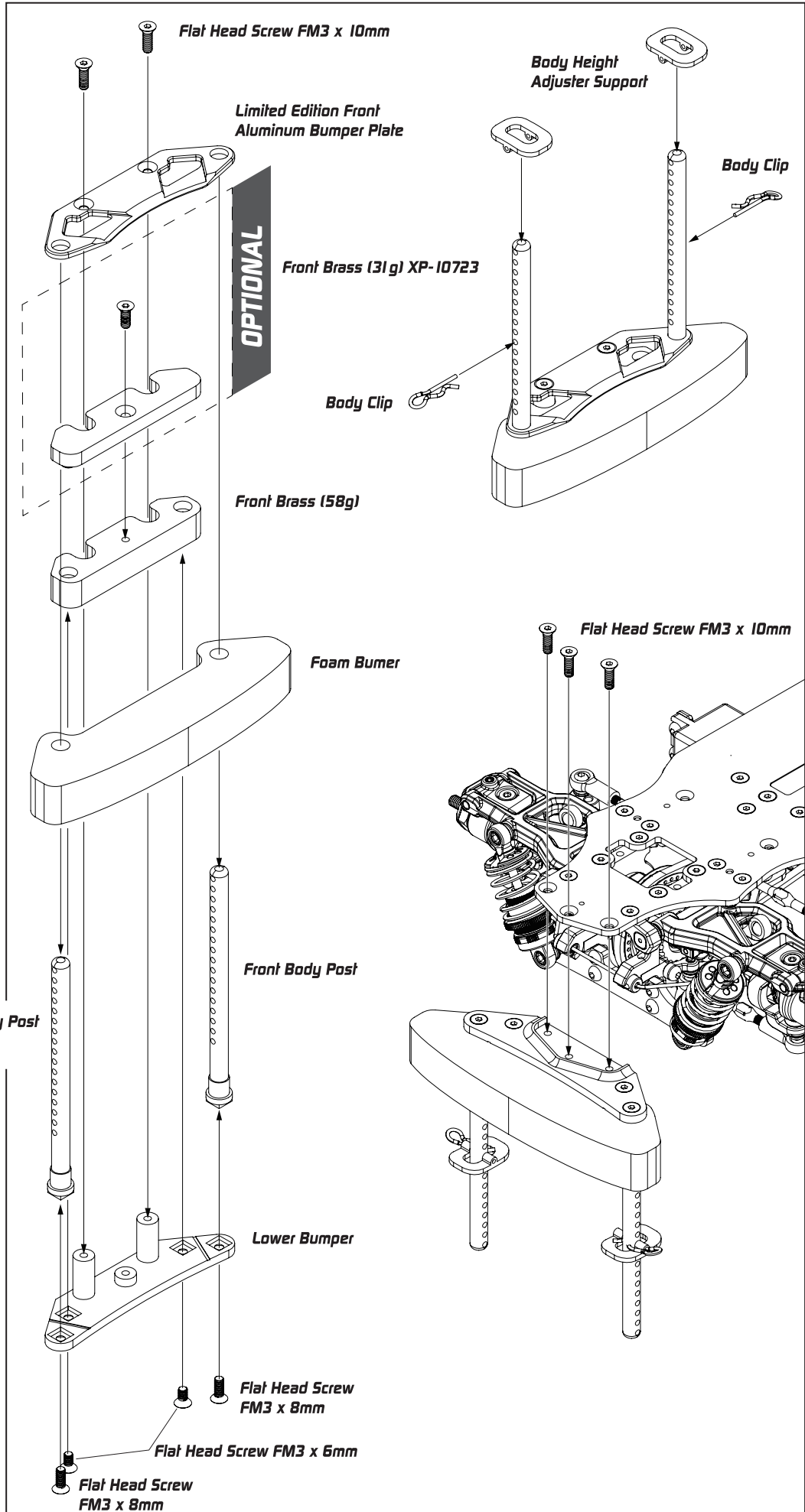
Flat Head Screw FM3 x 8mm
XP-40048

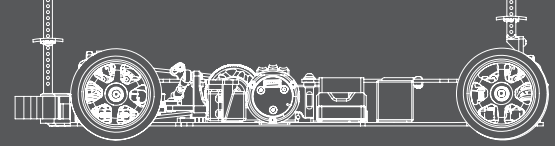


Flat Head Screw FM3 x 10mm
XP-40049



Front Brass (58g)
XP-10722

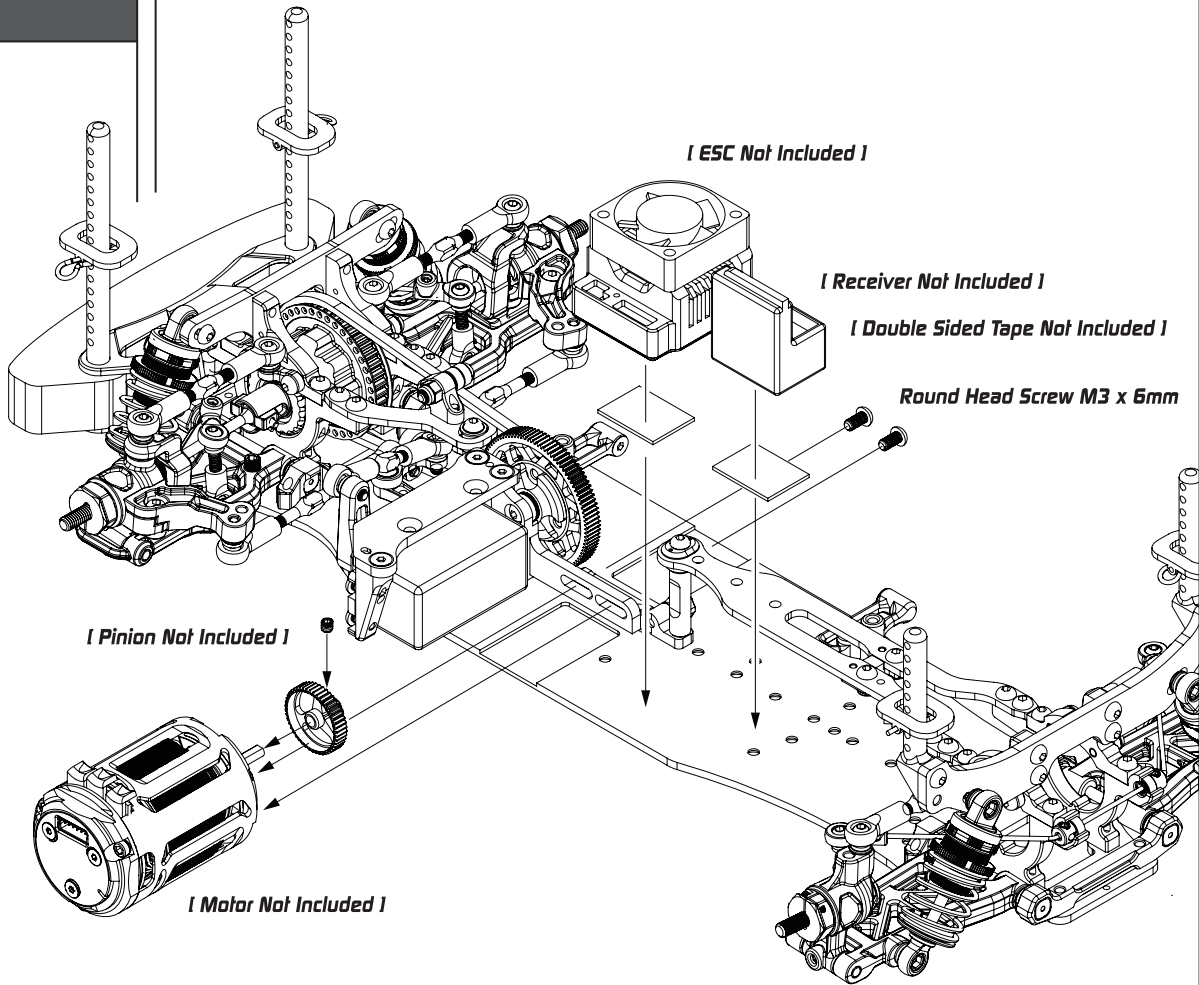




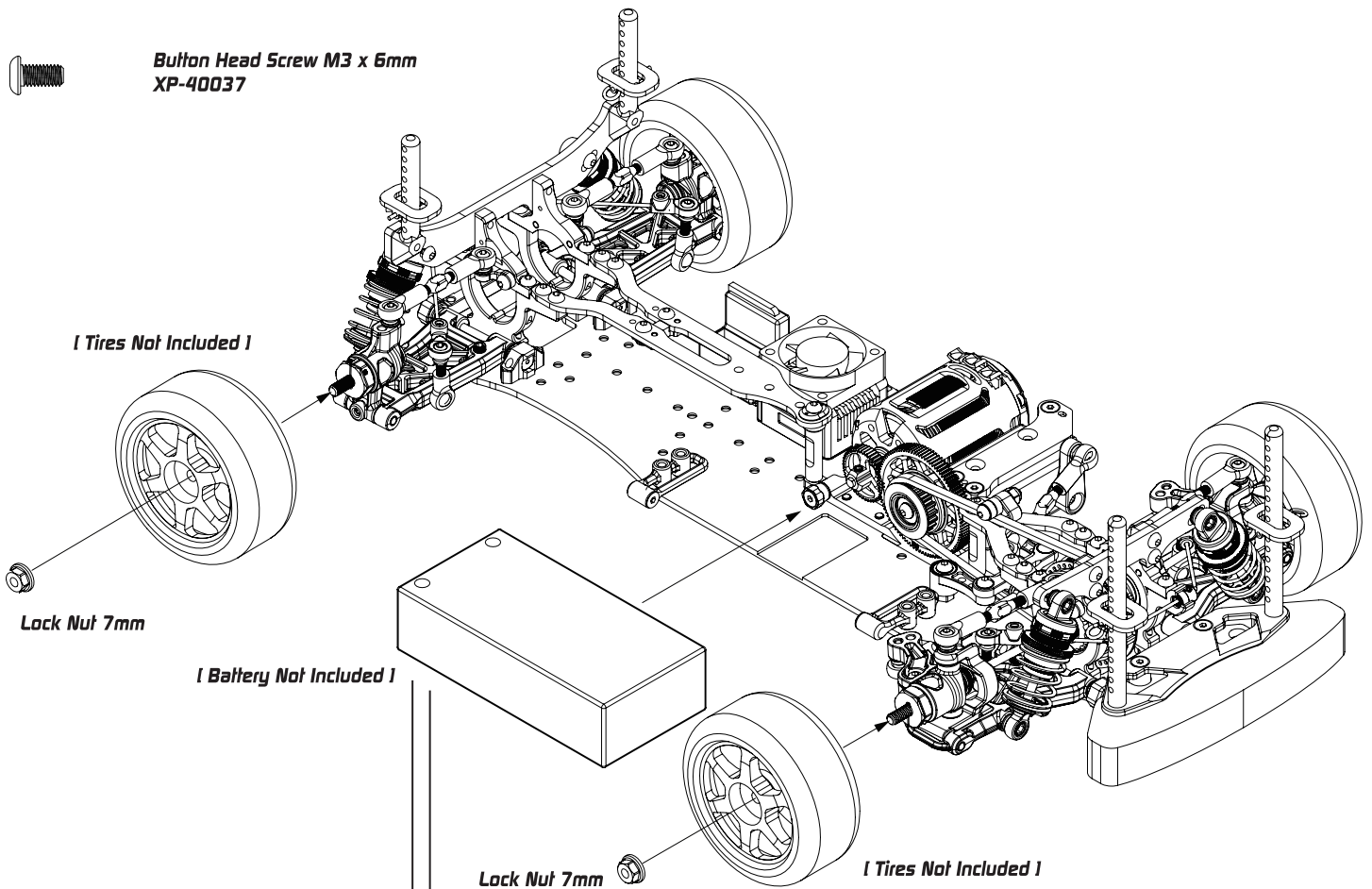
Screw Bag

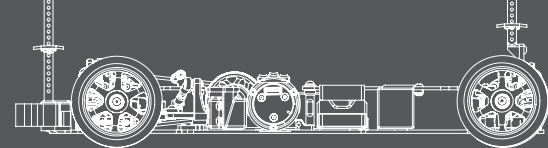


Lock Nut 7mm
XP-40068

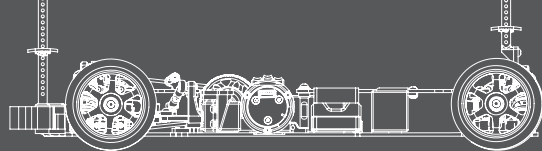


Button Head Screw M3 x 6mm
XP-40037





XQ10F Original Parts		XQ10F Original Parts	
Model Number	Product Name	Model Number	Product Name
XP-10008	Gear Differential Case and Cover	XP-10644	Composite Center Pulley Set For XQ 10 (A/B)
XP-10009	Gear Differential Bevel Satellite Gears Set	XP-10650	Aluminum Dual Servo Saver Arm 18.5mm 2pcs
XP-10011	Gear Differential Repair Parts	XP-10651	XQ10 Aluminum Steering Plate For Dual Servo Saver
XP-10022	Gear Differential Set	XP-10652	Composite Anti-Roll Bar Ball Joint 4pcs
XP-10055	Body Clips 20pcs	XP-10672	Aluminum Anti-Roll Bar Bushing
XP-10105	Front Camberlink Mount 2pcs	XP-10698	Center Pulley Post For FM1S
XP-10107	Composite Ball Bearing Tension Adjustment Hub 4pcs	XP-10713	XQ10F 2.25mm Graphite Main Chassis
XP-10109	Composite Steering Block Pair	XP-10714	XQ10F 2mm Graphite Top Deck Rear
XP-10114	Aluminum FF Lower 1 Piece Suspension Mount	XP-10715	XQ10F 2mm Graphite Top Deck Type A
XP-10119	Aluminum Shim 3x5.5x1.0mm Red 20pcs	XP-10716	XQ10F 3mm Graphite Servo Mount Plate
XP-10120	Aluminum Shim 3x5.5x2.0mm Red 20pcs	XP-10721	Foam Bumper Light For FM1S
XP-10121	5.5mm Pivot Ball 8pcs	XP-10722	Front Brass [58g]
XP-10123	Aluminum 2 Piece Suspension Mount 2pcs	XP-10727	Aluminum Servo Side Mount
XP-10124	Aluminum RR Lower one Piece Suspension Mount	XP-10730	Kevlar Drive Belt Front 3x249mm
XP-10125	Aluminum Gear Diff Outdrive Adapter 2pcs	XP-10733	2mm Graphite Front Top Deck
XP-10127	Eccentric Bushing Set	XP-10736	XQ10F Limited Edition Front Aluminum Bumper Plate
XP-10128	Driveshaft Protector Blade 8pcs	XP-10738	Motor Mount Post With Flange
XP-10129	Aluminum 5mm Wheel Hub Red 2pcs	XP-10739	Composite Upper Deck Collar For Flex Elimination
XP-10131	Rear Camberlink Mount 2pcs		
XP-10139	3.0mm Suspension Pivot Pin 4pcs		
XP-10147	Shock Membrane 8pcs	XQ10F Option Parts	
XP-10148	4.8mm Ball End 5mm Thread 10pcs	Model Number	Product Name
XP-10149	4.8mm Ball End 6mm Thread 10pcs	XP-10167	Steel Universal Shaft Rear 2pcs
XP-10150	4.8mm Ball End 8mm Thread 10pcs	XP-10168	Soft Spring Pair Black 2pcs
XP-10151	4.8mm Ball End 10mm Thread 10pcs	XP-10170	Stiff Spring Pair Pink 2pcs
XP-10155	Ball Bearing Anti-Roll Bar Set 6pcs	XP-10171	Progressive Shock Spring Soft 2pcs
XP-10156	Steel Tumbuckle 29 mm 4pcs	XP-10172	Progressive Shock Spring Medium 2pcs
XP-10157	Steel Steering Tumbuckle Set	XP-10173	Progressive Shock Spring Stiff 2pcs
XP-10159	Composite 1.1mm Piston Spacer Set	XP-10174	Progressive Shock Spring Set 6pcs
XP-10160	Shock O-RING 8pcs	XP-10176	Anti-Roll Bar 1.2mm Front and Rear 2pcs
XP-10163	Composite Servo Horn Belt Tensioner Set	XP-10178	Anti-Roll Bar 1.4mm Front and Rear 2pcs
XP-10164	C Hub King Pin Set 2+2	XP-10191	Aluminum Rf One Piece Suspension Mount
XP-10166	Steel Double Joint Universal Shaft 2pcs	XP-10192	Aluminum Adjustable Battery Stoppers
XP-10169	Medium Spring Pair Silver 2pcs	XP-10193	Aluminum Spring Retainer
XP-10177	Anti-Roll Bar 1.3mm Front and Rear 2pcs	XP-10194	Aluminum FR One Piece Suspension Mount
XP-10179	Gear Differential Gasket 5pcs	XP-10196	Brass RF One Piece Suspension Mount
XP-10180	Composite Battery Stopper Set and Layshaft Bearing Holder Set	XP-10197	Brass FR One Piece Suspension Mount
XP-10181	Gear Differential Spacer 5x15.5x0.4mm 10pcs	XP-10198	Brass 2 Piece Suspension Mount
XP-10182	Gear Differential Spacer 3.6x9.5x0.2mm 10pcs	XP-10199	Brass FF 1 Piece Suspension Mount
XP-10183	Silicone Gear Differential O-RING 25x1mm 10pcs	XP-10200	Brass RR 1 Piece Suspension Mount
XP-10184	Silicone Gear Differential O-RING 5x2mm 10pcs	XP-10220	Camberlink Stiffener set
XP-10186	Brass Chassis Balancing Weights 15g 10g 4pcs	XP-10222	Graphite Option Steering Knuckle Plate 2pcs
XP-10236	4.8mm Ball End 5mm Thread 4pcs	XP-10242	Brass Chassis Balancing Weights 10g 5g 4pcs
XP-10237	4.8mm Ball End 6mm Thread 4pcs	XP-10243	Graphite 2.25mm Upper Bumper Holder
XP-10238	4.8mm Ball End 8mm Thread 4pcs	XP-10251	4.8mm Flat Type Ball End 15mm 4pcs
XP-10239	4.8mm Ball End 10mm Thread 4pcs	XP-10252	4.8mm Flat Type Ball End 13mm 2pcs
XP-10240	Aluminum Shim 3x5.5x1.0mm Red 10pcs	XP-10253	4.8mm Flat Type Ball End 10mm 4pcs
XP-10241	Aluminum Shim 3x5.5x2.0mm Red 10pcs	XP-10254	4.8mm Low Profile Ball End Set
XP-10364	Aluminum Anti-Roll Bar Bushing (2+2)	XP-10255	Camber Stiffener Link Ball End
XP-10558	XQ10 Separate Upper Bulkhead Type B	XP-10264	Composite Spool 3BT Set
XP-10559	XQ10 Shock Tower Front 3.0mm Graphite (Short Shock)	XP-10265	Composite Spool Cups 2pcs
XP-10560	XQ10 Shock Tower Rear 3.0mm Graphite (Short Shock)	XP-10268	On-power Control System 3mm Graphite Knuckle Plate 2pcs
XP-10561	Bumper Body Post (Foam Bumper LIGHT)	XP-10269	On-power Control System Ball Stud Set
XP-10562	Foam Bumper Light	XP-10320	Graphite Option Steering Knuckle plate (Less ackermann)
XP-10563	XQ10 Separate Upper Bulkhead Type A	XP-10334	39.3mm Spring Steel Double Joint Universal Shaft 2pcs
XP-10566	Upper Deck Stiffener	XP-10365	Aluminum Wheel Adapter 6mm 2pcs
XP-10577	Short Shock Composite Shock Parts	XP-10380	Graphite Body Post Stiffener Front and Rear
XP-10578	Aluminum Short Shock Cap 2pcs	XP-10387	Aluminum Upper Bumper Holder
XP-10579	Aluminum Lower Short Shock Cap 2pcs	XP-10400	Composite C Hub 4 Degree L/R (Strong V2)
XP-10580	Aluminum Short Shock Adjustable Nut 2pcs	XP-10556	Steel Spool Outdrive Adapter 2pcs
XP-10581	Aluminum Short Shock Body 2pcs	XP-10557	Brass/Graphite Lower Bulkhead Plate For XQ10 F/R
XP-10582	Short Shock Shaft 2pcs	XP-10565	Composite Suspension Parts Set (Hard Strong)
XP-10588	Separate Bulkhead Type A	XP-10584	Soft Spring Pair Black (20mm) 2pcs
XP-10589	Separate Bulkhead Type B	XP-10585	Medium Spring Pair Silver (20MM) 2pcs
XP-10593	Long Travel Short Shock Set 2pcs	XP-10586	Stiff Spring Pair Pink (20MM) 2pcs
XP-10600	Silicone Gear Differential O-RING 5x2mm 10pcs	XP-10597	Front And Rear Composite Suspension Arm (Strong Hard)
XP-10601	Shock X-Ring 10pcs	XP-10598	Composite C Hub 4 Degree L/R (Strong Hard)
XP-10602	3mm Outer Suspension pin w/ Groove 4pcs	XP-10599	Composite Rear Upright 2 PCS (Strong Hard)
XP-10603	Front And Rear Composite Suspension Arm (Strong)	XP-10621	Composite Rear Upright 2 PCS (Strong Hard) V2
XP-10604	Composite C Hub 4 Degree L/R (Strong)	XP-10629	Aluminum Center Pulley Set For XQ 10 (A)
XP-10605	Composite Rear Upright 2 PCS (Strong)	XP-10637	XQ10 Aluminum FR One Piece Suspension Mount
XP-10606	Composite Suspension Parts Set (Strong)	XP-10638	XQ10 Brass FR One Piece Suspension Mount
XP-10607	O Ring For Spring Adjust Nut 4pcs (Short Shock)	XP-10639	XQ10 2.0mm Graphite Upper Deck For Flex Elimination
XP-10610	XQ1 XQ1S Double Joint Universal Shaft Bone	XP-10641	On-power Control System V2
XP-10611	XQ1 XQ1S Double Joint Universal Shaft Axle	XP-10643	Composite Upper Deck Stiffener 2pcs
XP-10612	XQ1 XQ1S Double Joint Universal Shaft Case	XP-10680	Aluminum Ball Bearing Tension Adjustment Hub 2pcs
XP-10613	XQ1 XQ1S Double Joint Universal Shaft Coupling Pins	XP-10685	On-power Control System 0 Deg Aluminum C-hub 2pcs
XP-10634	Grey Composite 4.8mm Flat Type Ball End 10mm 4pcs	XP-10689	Composite Rear Upright 2 PCS (Strong) V2
XP-10635	Grey Composite 4.8mm Flat Type Ball End 13mm 4pcs	XP-10723	Front Brass (31g)
XP-10636	Grey Composite 4.8mm Flat Type Ball End 15mm 4pcs	XP-10728	Aluminum Fan Mount FT 1 Mid FM1S
		XP-10737	XQ10 FWD Conversion Kit



Xpress Execute XQ10F (64Pitch-Spur Gear 80T to 100T)

	Pinion																
	33	34	35	36	37	38	39	40	41	42	43	44	45	46	47	48	49
64 Pitch	82																3.18
	83															3.29	3.22
	84														3.40	3.33	3.26
	85													3.51	3.44	3.36	3.30
	86												3.63	3.55	3.48	3.40	3.33
	87											3.76	3.67	3.59	3.52	3.44	3.37
	88									3.89	3.80	3.72	3.63	3.56	3.48	3.41	
	89								4.03	3.93	3.84	3.76	3.68	3.60	3.52	3.45	
	90								4.17	4.07	3.98	3.89	3.80	3.72	3.64	3.56	3.49
	91							4.32	4.22	4.12	4.02	3.93	3.84	3.76	3.68	3.60	3.53
92						4.48	4.37	4.26	4.16	4.07	3.97	3.88	3.80	3.72	3.64	3.57	
93						4.65	4.53	4.42	4.31	4.21	4.11	4.02	3.93	3.84	3.76	3.68	
94					4.83	4.70	4.58	4.47	4.36	4.25	4.15	4.06	3.97	3.88	3.80	3.72	
95					5.01	4.88	4.75	4.63	4.51	4.40	4.30	4.20	4.10	4.01	3.92	3.84	
96				5.21	5.07	4.93	4.80	4.68	4.56	4.45	4.34	4.24	4.15	4.05	3.97	3.88	
97			5.42	5.27	5.12	4.98	4.85	4.73	4.61	4.50	4.39	4.29	4.19	4.10	4.01	3.92	
98		5.64	5.48	5.32	5.17	5.03	4.90	4.77	4.66	4.54	4.43	4.33	4.23	4.14	4.05	3.96	
99		5.70	5.53	5.37	5.23	5.08	4.95	4.82	4.70	4.59	4.48	4.37	4.28	4.18	4.09	4.00	
100		5.76	5.59	5.43	5.28	5.14	5.00	4.87	4.75	4.63	4.52	4.42	4.32	4.22	4.13		

Xpress Execute XQ10F (64Pitch-Spur Gear 80T to 100T)

	Pinion																
	50	51	52	53	54	55	56	57	58	59	60	61	62	63	64	65	66
64 Pitch	80	2.98	2.92	2.87	2.81	2.76	2.71	2.67	2.62	2.58	2.53	2.49	2.45	2.41	2.38	2.34	2.30
	81	3.08	3.02	2.96	2.90	2.85	2.80	2.75	2.70	2.65	2.61	2.57	2.52	2.48	2.44	2.40	2.37
	82	3.12	3.05	3.00	2.94	2.89	2.83	2.78	2.73	2.69	2.64	2.60	2.55	2.51	2.47	2.43	
	83	3.15	3.09	3.03	2.98	2.92	2.87	2.82	2.77	2.72	2.67	2.63	2.59	2.54	2.50		
	84	3.19	3.13	3.07	3.01	2.96	2.90	2.85	2.80	2.75	2.71	2.66	2.62	2.57			
	85	3.23	3.17	3.11	3.05	2.99	2.94	2.88	2.83	2.78	2.74	2.69	2.65				
	86	3.27	3.20	3.14	3.08	3.03	2.97	2.92	2.87	2.82	2.77	2.72					
	87	3.31	3.24	3.18	3.12	3.06	3.01	2.95	2.90	2.85	2.80						
	88	3.34	3.28	3.22	3.15	3.10	3.04	2.99	2.93	2.88							
	89	3.38	3.32	3.25	3.19	3.13	3.07	3.02	2.97								
	90	3.42	3.35	3.29	3.23	3.17	3.11	3.05									
	91	3.46	3.39	3.33	3.26	3.20	3.14										
	92	3.50	3.43	3.36	3.30	3.24											
	93	3.53	3.46	3.40	3.33												
	94	3.57	3.50	3.43													
	95	3.61	3.54														
	96	3.65															

Driver _____ Track Surface _____ Track Temperature _____
 Date _____ Track Traction _____ Result _____ Air Temperature _____
 Track _____ Country _____ Best Lap _____ Humidity _____ Remark _____

Front

Link Spacer mm Link Spacer mm Spacer mm

Spacer mm Spacer mm

3 2 1 1 2 3

5.2 5.0 4.8 4.6 4.4 4.2 4

4 4.2 4.4 4.6 4.8 5.0 5

Rear

Spacer mm

Camber Link

C-Hub M H

Steering Block M H

Suspension Arm M H

Hex Offset mm

Camber mm

Ride Height mm

DownStop mm

Sway Bar mm

Rear Hub M H

Suspension Arm M H

Optional

On-Power Control System

Spacer mm Spacer mm

Spacer mm

Spacer mm

Hex Offset mm

Camber mm

Ride Height mm

DownStop mm

Sway Bar mm

Steering Block M H

Suspension Arm M H

Front Tire Additive Area

Front Toe Out

Lower Arm Spacer mm

Wheelbase Spacer

FF mm

FR mm

Weight g

Spacer mm

Bump Steering Spacer mm

1 2

Shock Tower Spacer mm

Weight g

Flex Control

Aluminum

Composite

Composite (2 Dot)

Bearing

Spacer mm

Rear Tire Additive Area

Rear Toe In

Lower Arm Spacer mm

Shock Tower Spacer mm

Wheelbase Spacer

RF mm

RR mm

Weight g

Suspension Mount Setup

FF

1 Aluminium

0.5 Brass

FR

1 Aluminium Spill

0.5 Brass Solid

RR

1 Aluminium

0.5 Brass

RF

1 Aluminium Spill

0.5 Brass Solid

Flex Control

Front Under Chassis Stiffener

None

Graphite

Brass

Rear Under Chassis Stiffener

None

Graphite

Brass

Graphite Chassis

Aluminum Chassis

Damper Setup

Front Rear

Spring _____

Oil _____

Rebound _____

Piston _____

Length _____

Foam Insert

Hole In Cap

Foam Insert

Hole In Cap

Transmission Setup

Front _____

Oil _____

Weight g _____

Position _____

Others

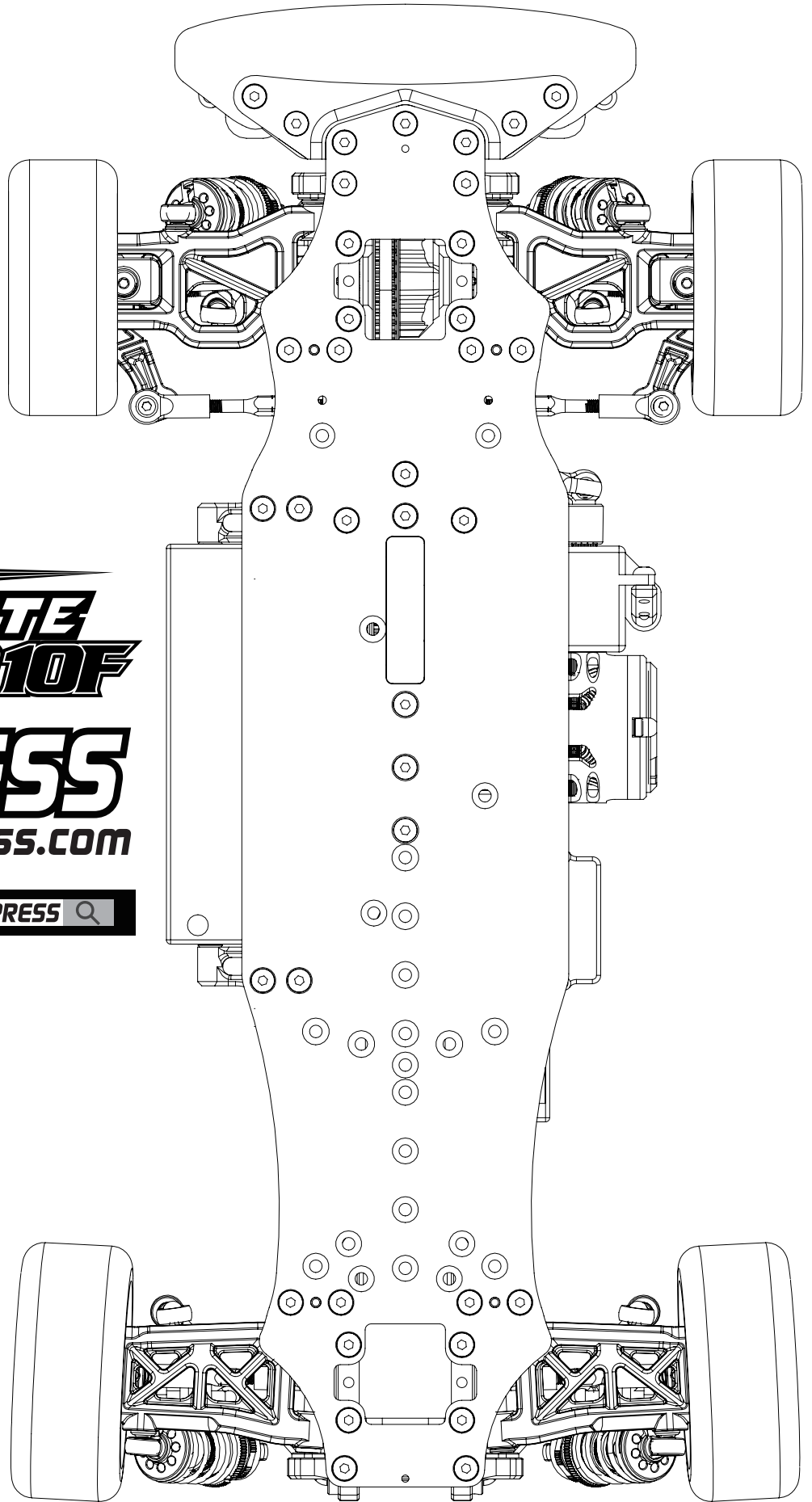
Servo _____ Tires _____

Esc _____ Additive _____

Motor _____ Body _____

Spur P/ _____ T Rear Wing _____

Pinon P/ _____ T FDR _____



EXECUTE
1/10 COMPETITION FWD TOURING CAR
XQ10F

XPRESS
www.rc-xpress.com



RC XPRESS 🔍