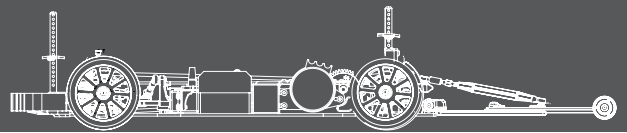
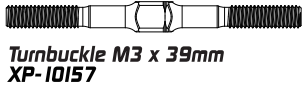


Dragna10 1/10 4WD HIGH POWER TOURING CAR **DR15**

INSTRUCTION MANUAL



Bag A,F , HW A,B



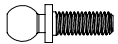
Turnbuckle M3 x 39mm
XP-10157



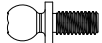
Turnbuckle M3 x 29mm
XP-10156



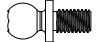
Turnbuckle M3 x 18mm
XP-10157



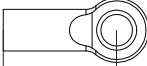
4.8mm Ball End 8mm Thread
XP-10150 , XP-10238



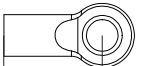
4.8mm Ball End 6mm Thread
XP-10149 , XP-10237



4.8mm Ball End 5mm Thread
XP-10148 , XP-10236

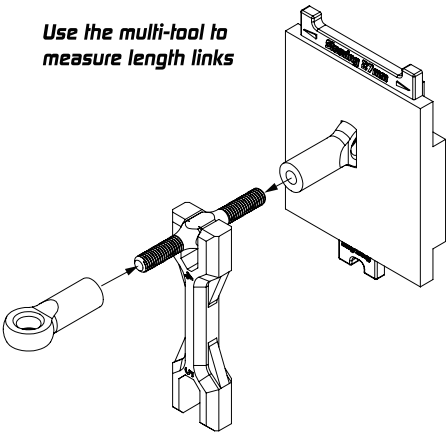


4.8mm Flat Type Ball End 15mm
XP-10251 Optional XP-10636

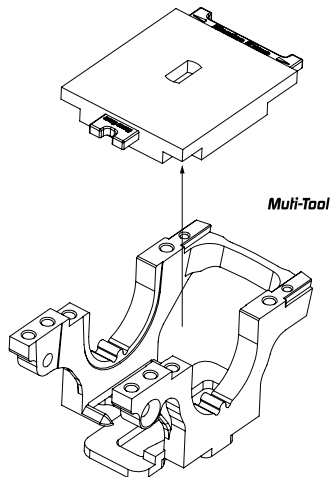


4.8mm Flat Type Ball End 13mm
XP-10252 Optional XP-10635

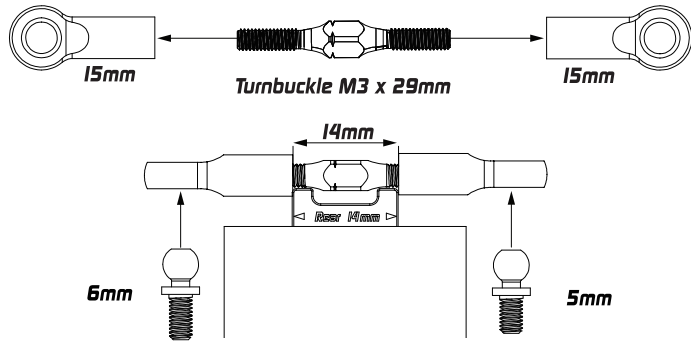
Use the multi-tool to
measure length links



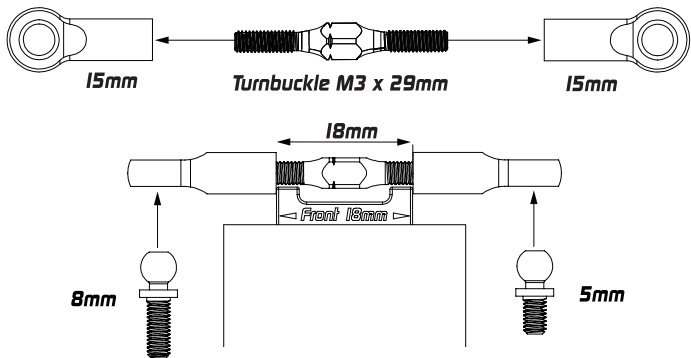
Turnbuckle Wrench From Bag I



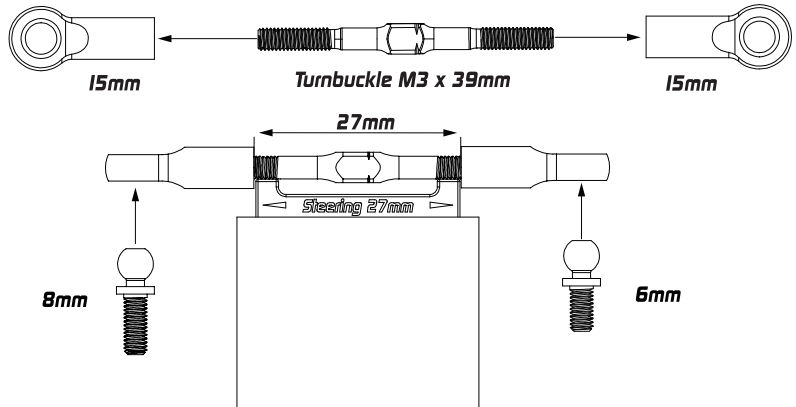
2X For Rear Camber Link



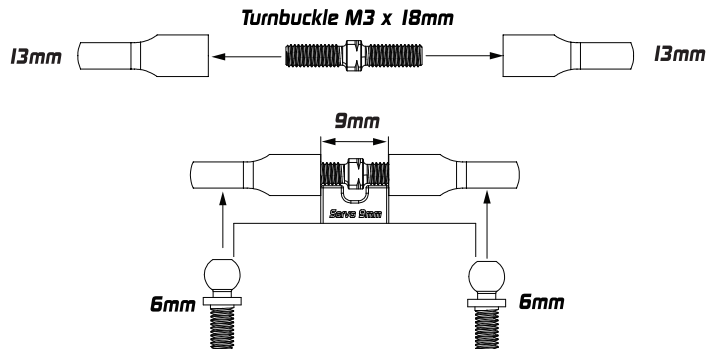
2X For Front Camber Link

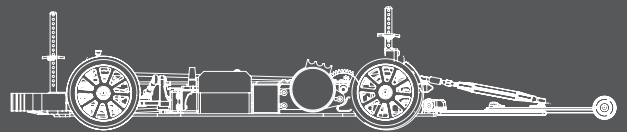


2X For Steering

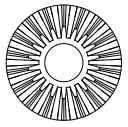


1X For Servo

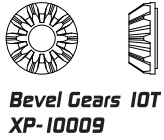




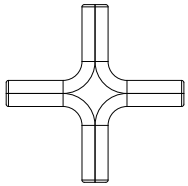
Bag B , Bag C , HW H and Bag Oil



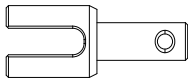
Bevel Gears 18T
XP-10009



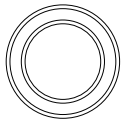
Bevel Gears 10T
XP-10009



Gear Diff Cross Pin
XP-10009



Steel Gear Diff Outdrive Adaptor
XP-10288
Optional XP-10125



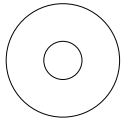
Bearing 10 x 15 x 4mm
XP-40065



O-ring 5 x 2mm
XP-10184



Pin 2 x 9.8mm
XP-40069



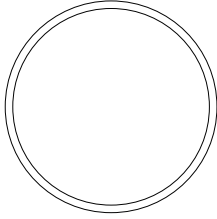
Spacer 5 x 15 x 0.4mm
XP-10181



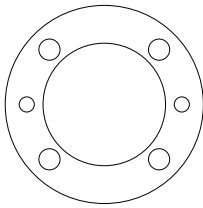
Spacer 3.6 x 9.5 x 0.2mm
XP-10182



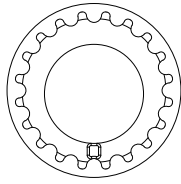
Flat Head Screw M2.5 x 8mm
XP-40044



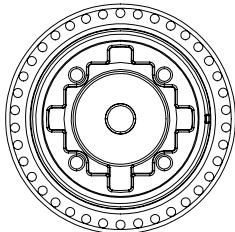
O-ring 25 x 1mm
XP-10183



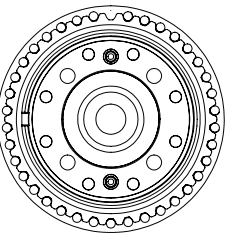
Diff Gasket
XP-10179



Composite Adjustment
Ball-Bearing Hub
XP-10107



Wide Belt Gear Differential
Case XP-10921



Wide Belt Gear Differential
Cover XP-10921

Optional



Silicone Gear Differential X-RING 5x2mm
XP-10600

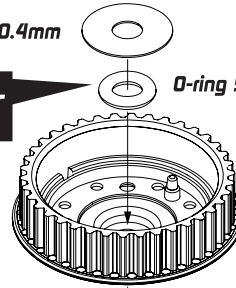
Spacer 5 x 15 x 0.4mm

5000 CST

O-ring 5 x 2mm

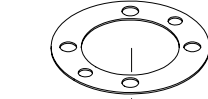
Diff Gasket

Bevel Gears 18T

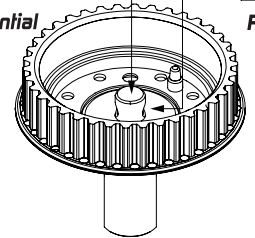


Wide Belt Gear Differential
Cover

Steel Gear Diff
Outdrive Adaptor



Pin 2 x 9.8mm



Spacer 3.6 x 9.5 x 0.2mm

5000 CST

Spacer 3.6 x 9.5
x 0.2mm

Bevel Gears 18T

O-ring 5 x 2mm

Bevel Gears 10T

Bevel Gears 10T



Spacer 5 x 15 x 0.4mm

5000 CST

O-ring 5 x 2mm

Spacer 3.6 x 9.5
x 0.2mm

Bevel Gears 18T

O-ring 5 x 2mm

Spacer 3.6 x 9.5
x 0.2mm

Bevel Gears 10T

Gear Diff
Cross Pin

Spacer 3.6 x 9.5
x 0.2mm

Bevel Gears 10T

Steel Gear Diff
Outdrive Adaptor

Wide Belt Gear Differential
Base

Flat Head Screw
M2.5 x 8mm

Composite Adjustment
Ball-Bearing Hub

Bearing 10 x 15 x 4mm

O-ring 25 x 1mm

Wide Belt Gear Differential
Case XP-10921

Wide Belt Gear Differential
Cover XP-10921

Bearing 10 x 15 x 4mm

Composite Adjustment
Ball-Bearing Hub

Bearing 10 x 15 x 4mm

Composite Adjustment
Ball-Bearing Hub

Bearing 10 x 15 x 4mm

Composite Adjustment
Ball-Bearing Hub

Bearing 10 x 15 x 4mm

Composite Adjustment
Ball-Bearing Hub

Bearing 10 x 15 x 4mm

Composite Adjustment
Ball-Bearing Hub

Bearing 10 x 15 x 4mm

Composite Adjustment
Ball-Bearing Hub

Bearing 10 x 15 x 4mm

Composite Adjustment
Ball-Bearing Hub

Bearing 10 x 15 x 4mm

Composite Adjustment
Ball-Bearing Hub

Bearing 10 x 15 x 4mm

Composite Adjustment
Ball-Bearing Hub

Bearing 10 x 15 x 4mm

Composite Adjustment
Ball-Bearing Hub

Bearing 10 x 15 x 4mm

Composite Adjustment
Ball-Bearing Hub

TIPS

1.1g Diff Oil
Track | **Drag Race**
30K to 50K cst | 100K cst

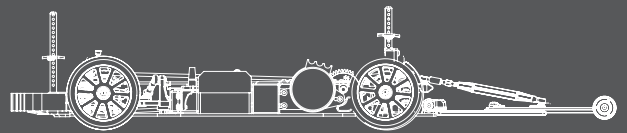
Note The Direction

Composite Adjustment
Ball-Bearing Hub

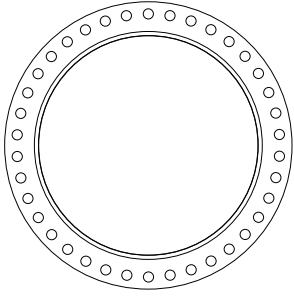
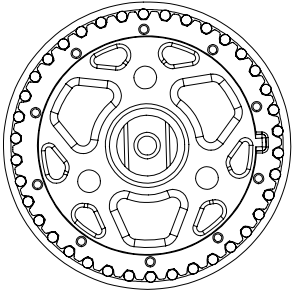
Bearing 10 x 15 x 4mm

Bearing 10 x 15 x 4mm

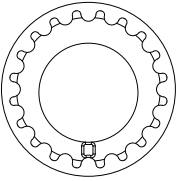
Composite Adjustment
Ball-Bearing Hub



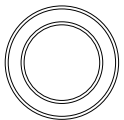
Bag C , HW H



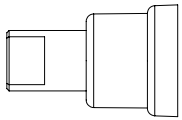
**Composite 38T Spool Set
XP-10934**



**Composite Adjustment Ball-Bearing Hub
XP-10107**



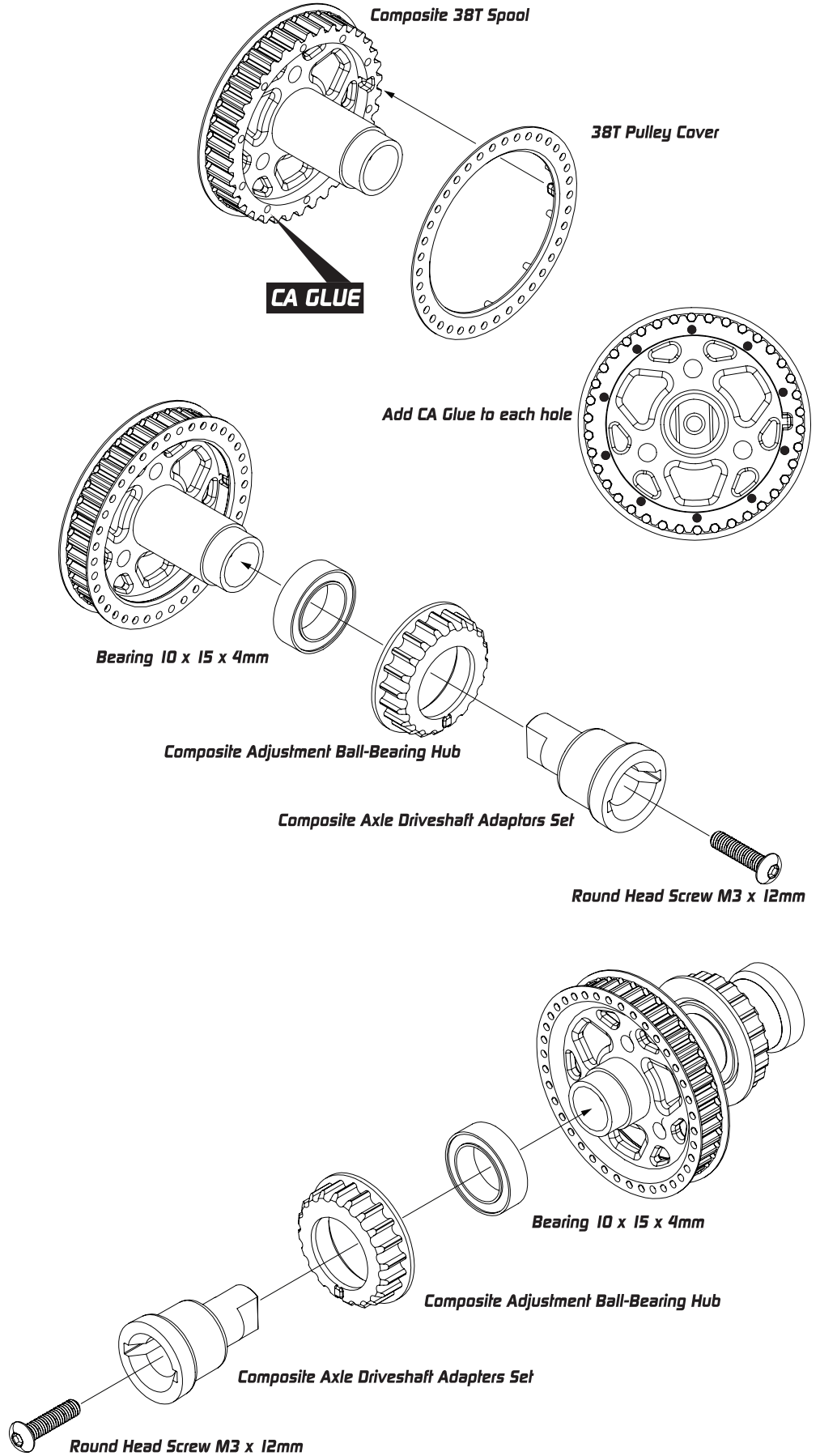
**Bearing 10 x 15 x 4mm
XP-40065**

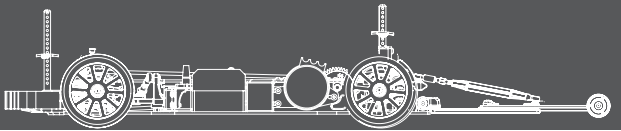


**Composite Axle Driveshaft Adaptors Set
XP-10265
Optional XP-10556 , XP-10671**

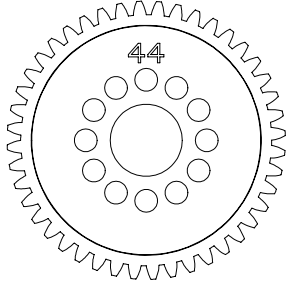


**Round Head Screw M3 x 12mm
XP-40040**

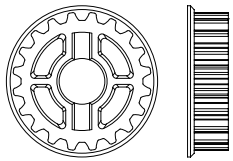




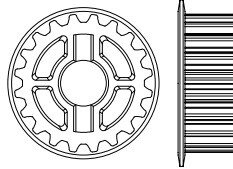
Bag D



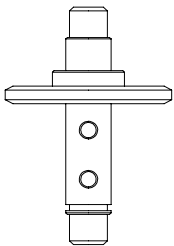
High Composite Spur Gear 32P 44T
XP-40175



20T Center Pulley
XP-10134



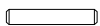
20T Center Pulley Wide Type
XP-10920



DR15 Aluminum Solid Layshaft
XP-10911



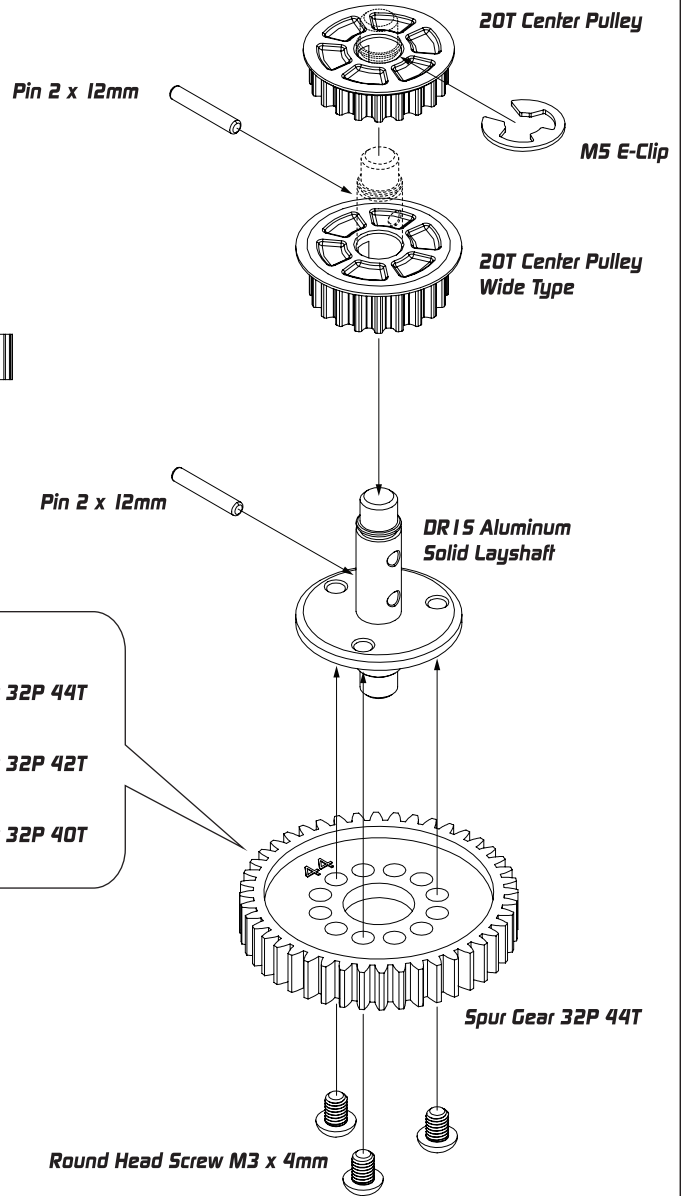
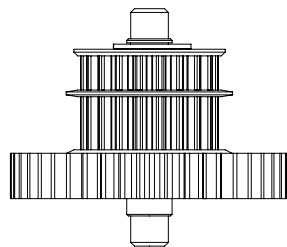
Round Head Screw M3 x 4mm
XP-40036



Pin 2 x 12mm
XP-40070

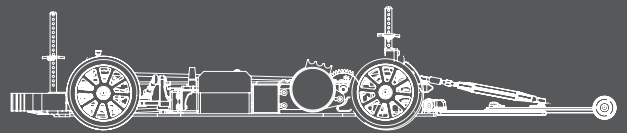


M5 E-Clip
XP-40058

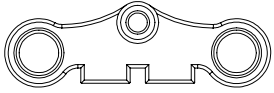


32P Spur Gear

- Kit** High Composite Spur Gear 32P 44T
XP-40175
- OP** High Composite Spur Gear 32P 42T
XP-40176
- OP** High Composite Spur Gear 32P 40T
XP-40177

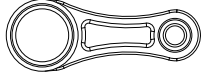


Bag F, G, K, L, FRP, HW H and Screw Bag



Option: XP-10113

Composite Steering Plate For Dual Servo Saver XP-10740



Option: XP-10111

Composite Dual Servo Saver Arm XP-10740



Bearing 5 x 8 x 2.5mm XP-40061



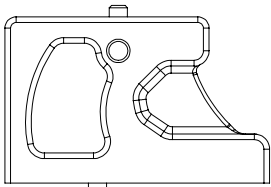
Bearing 3 x 6 x 2.5mm XP-40060



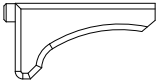
Round Head Screw M3 x 8mm XP-40038



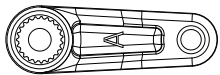
Round Head Screw M3 x 6mm XP-40037



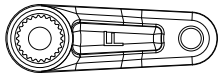
Composite Servo Mount XP-10740 Optional XP-10136



Composite Servo Side Mount XP-10740 Optional XP-10136



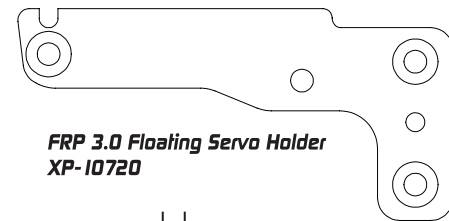
Servo Horn 23T for Sanwa, KO XP-10163



Servo Horn 25T for Futaba XP-10163



3 x 5.5 x 1 mm Composite Spacer XP-10740 Optional XP-10119, XP-10240



FRP 3.0 Floating Servo Holder XP-10720



Servo Spacer XP-10136



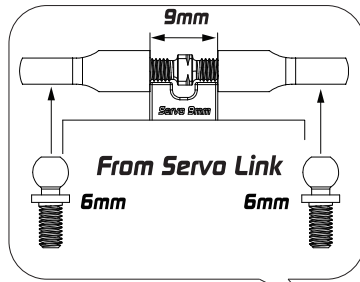
Antenna Holder XP-10001



Flat Head Screw M3 x 10mm XP-40049



Flat Head Screw M3 x 6mm XP-40046



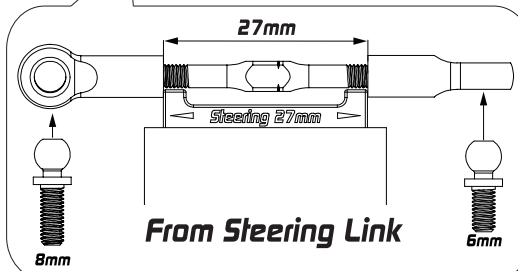
Bearing 3 x 6 x 2.5mm

4.8mm Ball End 6mm Thread

Bearing 3 x 6 x 2.5mm

Composite Steering Plate For Dual Servo Saver

4.8mm Ball End 6mm Thread



Flat Head Screw M3 x 6mm

FRP Floating Servo Holder 3.0mm

Flat Head Screw M3 x 6mm Antenna Holder

Flat Head Screw M3 x 6mm

Composite Servo Mount

Servo Spacer

Flat Head Screw M3 x 6mm

No Electronics are included

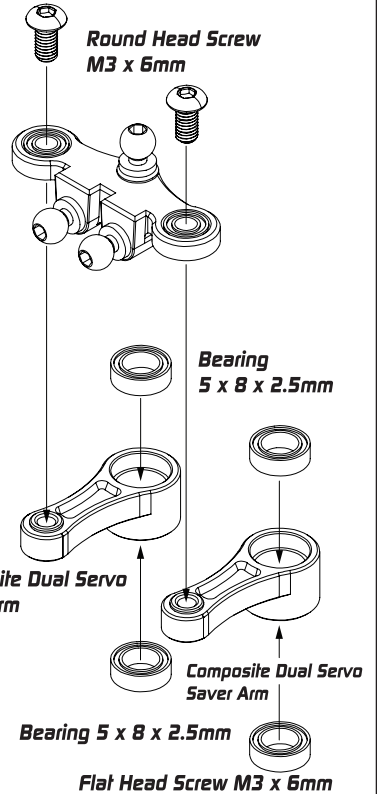
Servo Spacer

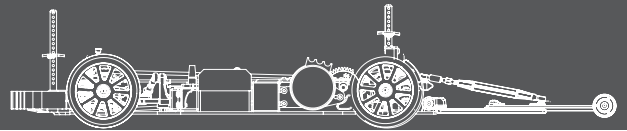
Round Head Screw M3 x 8mm

Servo Horn

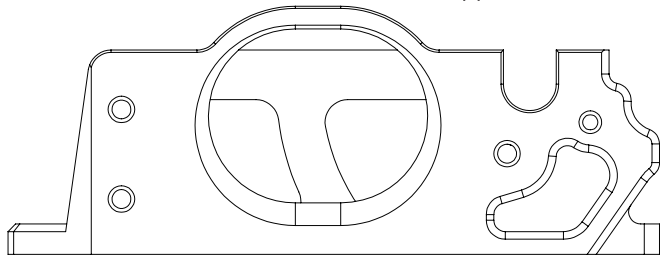
4.8mm Ball End 6mm Thread
From Servo Link

Round Head Screw M3 x 8mm





Bag F, HW C and Screw Bag



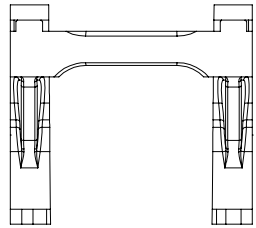
DR15 Aluminum Motor Mount
XP-10912



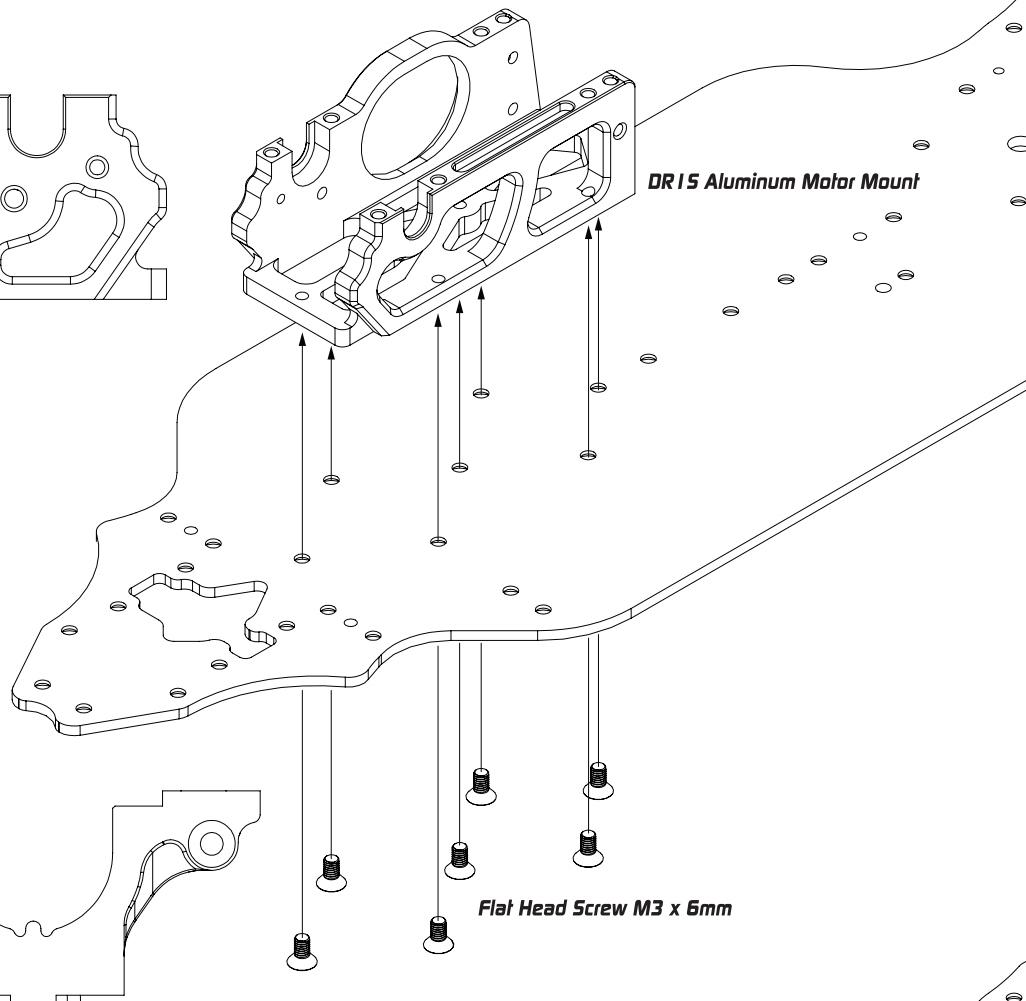
Flat Head Screw M3 x 6mm
XP-40046



Flat Head Screw M3 x 10mm
XP-40049

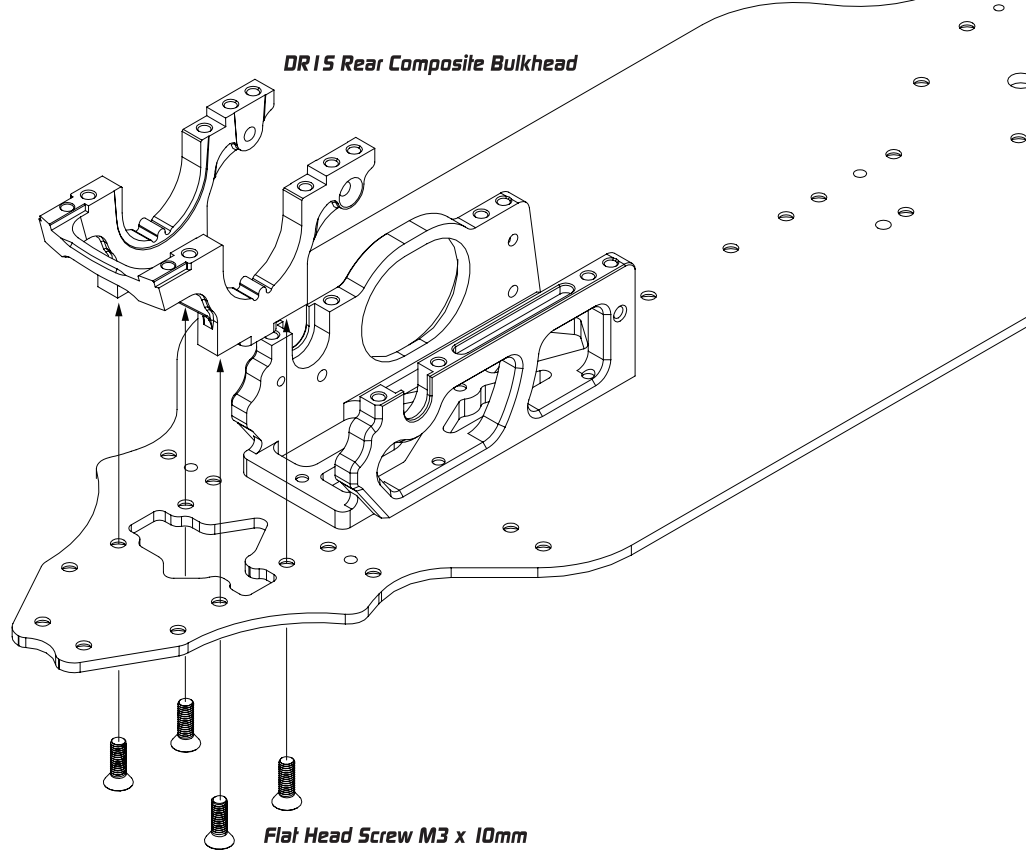


DR15 Rear Composite Bulkhead
XP-10919



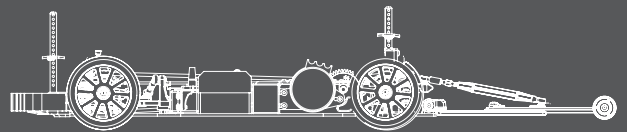
DR15 Aluminum Motor Mount

Flat Head Screw M3 x 6mm

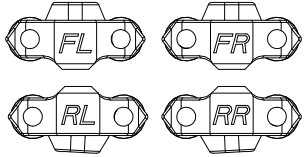


DR15 Rear Composite Bulkhead

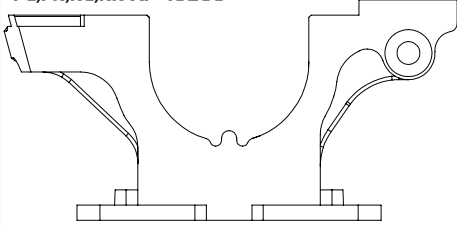
Flat Head Screw M3 x 10mm



Bag 1, F and Screw Bag



Composite Lower 2-Piece Suspension Holder
FL,FR,RL,RR XP-10260

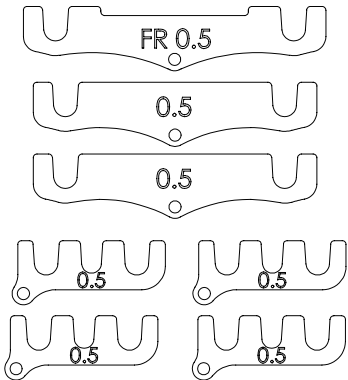


Composite Lower Bulkhead
XP-10919

Flat Head Screw M3 x 8mm
XP-40048

Flat Head Screw M3 x 10mm
XP-40049

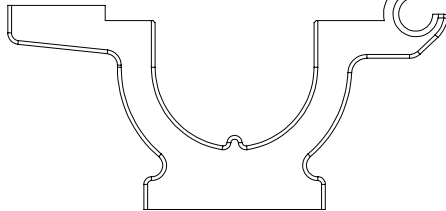
Optional



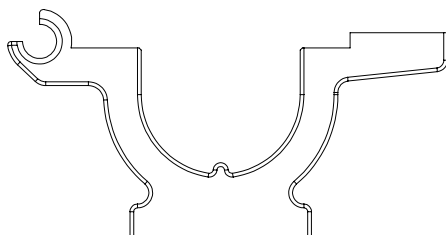
Lower Suspension Mount Spacer 0.5mm
XP-10726

Aluminum FR One Piece Suspension Mount
XP-10637

Brass FR One Piece Suspension Mount
XP-10638

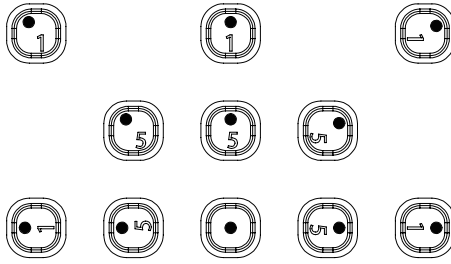


Separate Bulkhead Type A
XP-10588



Separate Bulkhead Type B
XP-10589

Optional

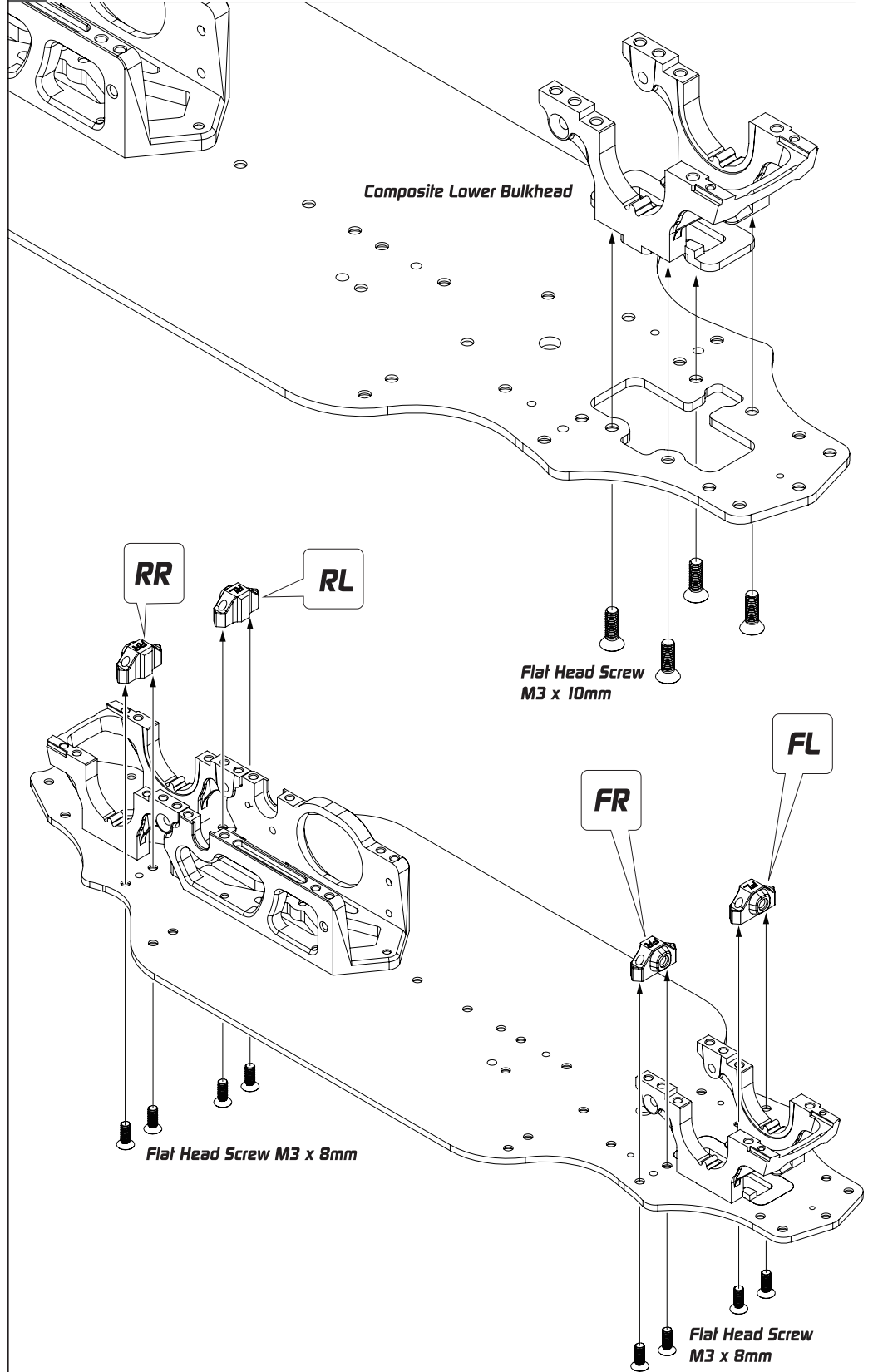


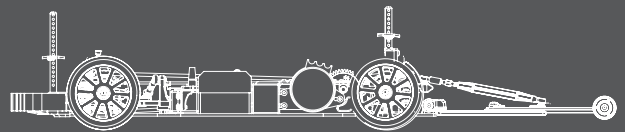
Diagonal Offset
Use either 0.5 or 1 mm to shift the roll center in a diagonal direction from the center.

4X Eccentric Bushing Set
XP-10127

Alu Lower 2-Piece Suspension Holder XP-10123

Horizontal Offset
Choice of either 0.5 or 1 mm offset from center





Bag K , P , FRP , HW D , E , H and Screw Bag



Bell Tensioner
XP-10163



Bearing 3 x 6 x 2.5mm
XP-40060



Spacer 3 x 5 x 0.2mm
XP-40066



Round Head Screw M3 x 6mm
XP-40037



Round Head Screw M3 x 8mm
XP-40038



Round Head Screw RM3 x 16mm
XP-40042



Flat Head Screw M3 x 6mm
XP-40046



Flat Head Screw M3 x 8mm
XP-40048



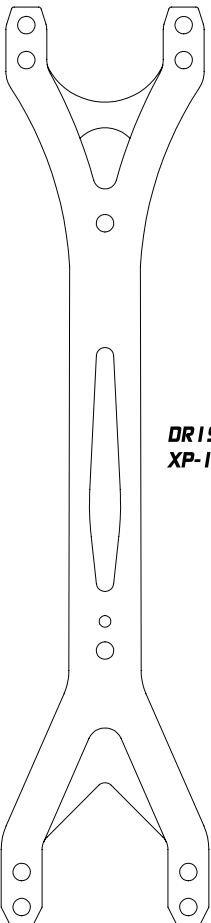
Nut 3 x 5.5mm
XP-40067



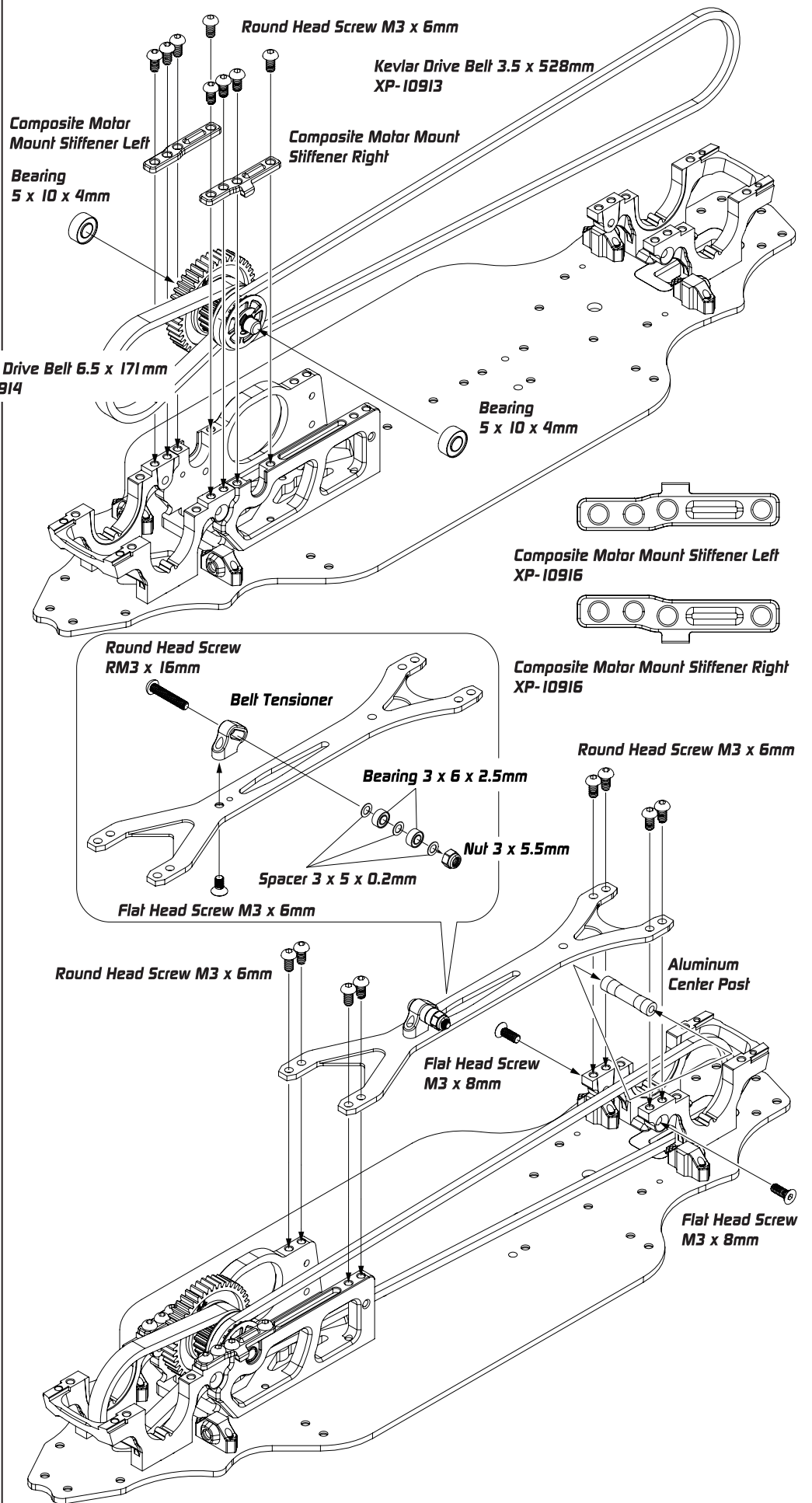
Bearing 5 x 10 x 4mm
XP-40064

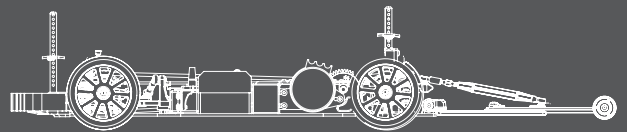


Aluminum Center Post
XP-10259

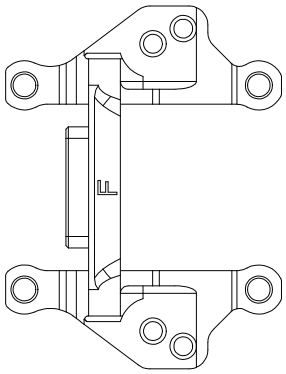


DR15 FRP 2.0mm Top Deck
XP-10908





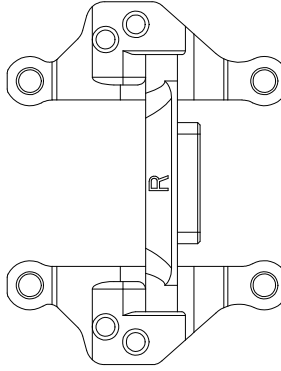
Bag H and Screw Bag



Composite One Piece Upper Clamp V2 Front
XP-10699 Optional XP-10104 , XP-10105



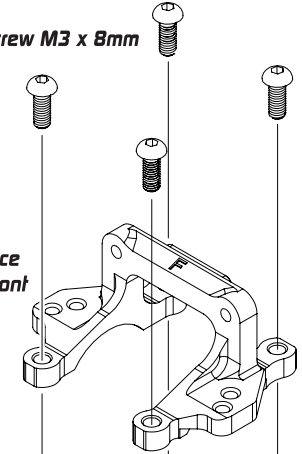
Round Head Screw M3 x 8mm
XP-40038



Composite One Piece Upper Clamp V2 Rear
XP-10699 Optional XP-10130 , XP-10131

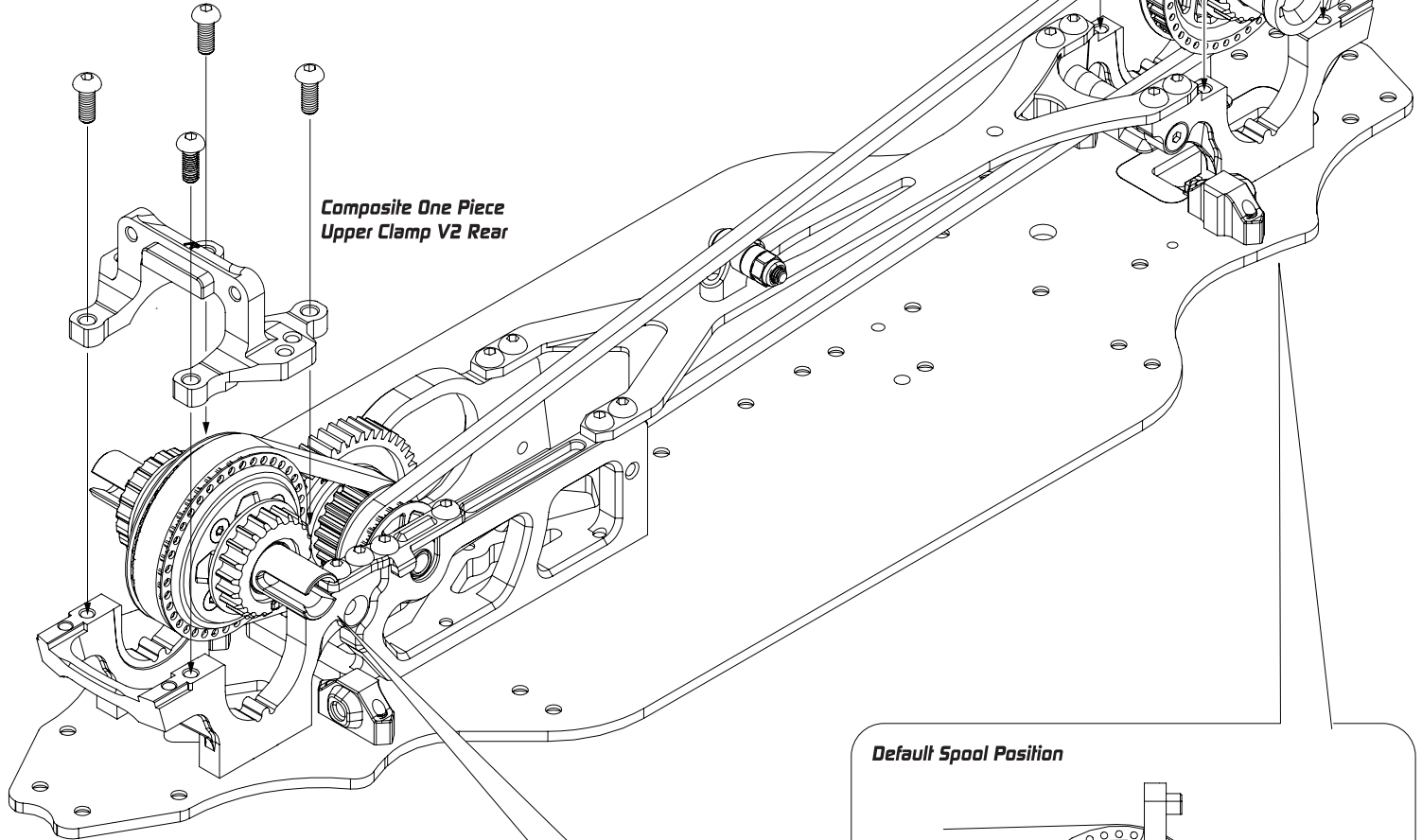
Round Head Screw M3 x 8mm

Composite One Piece
Upper Clamp V2 Front

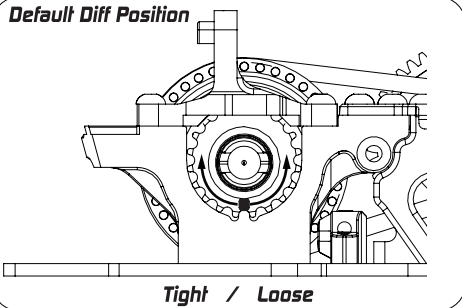


Round Head Screw M3 x 8mm

Composite One Piece
Upper Clamp V2 Rear

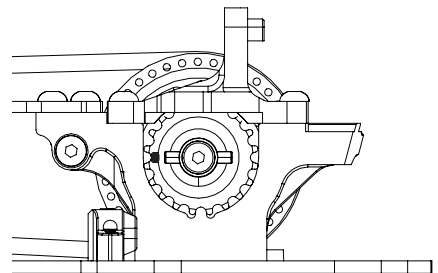


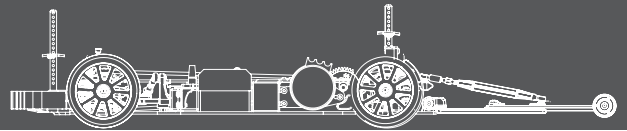
Default Diff Position



Tight / Loose

Default Spool Position





Bag F and Screw Bag



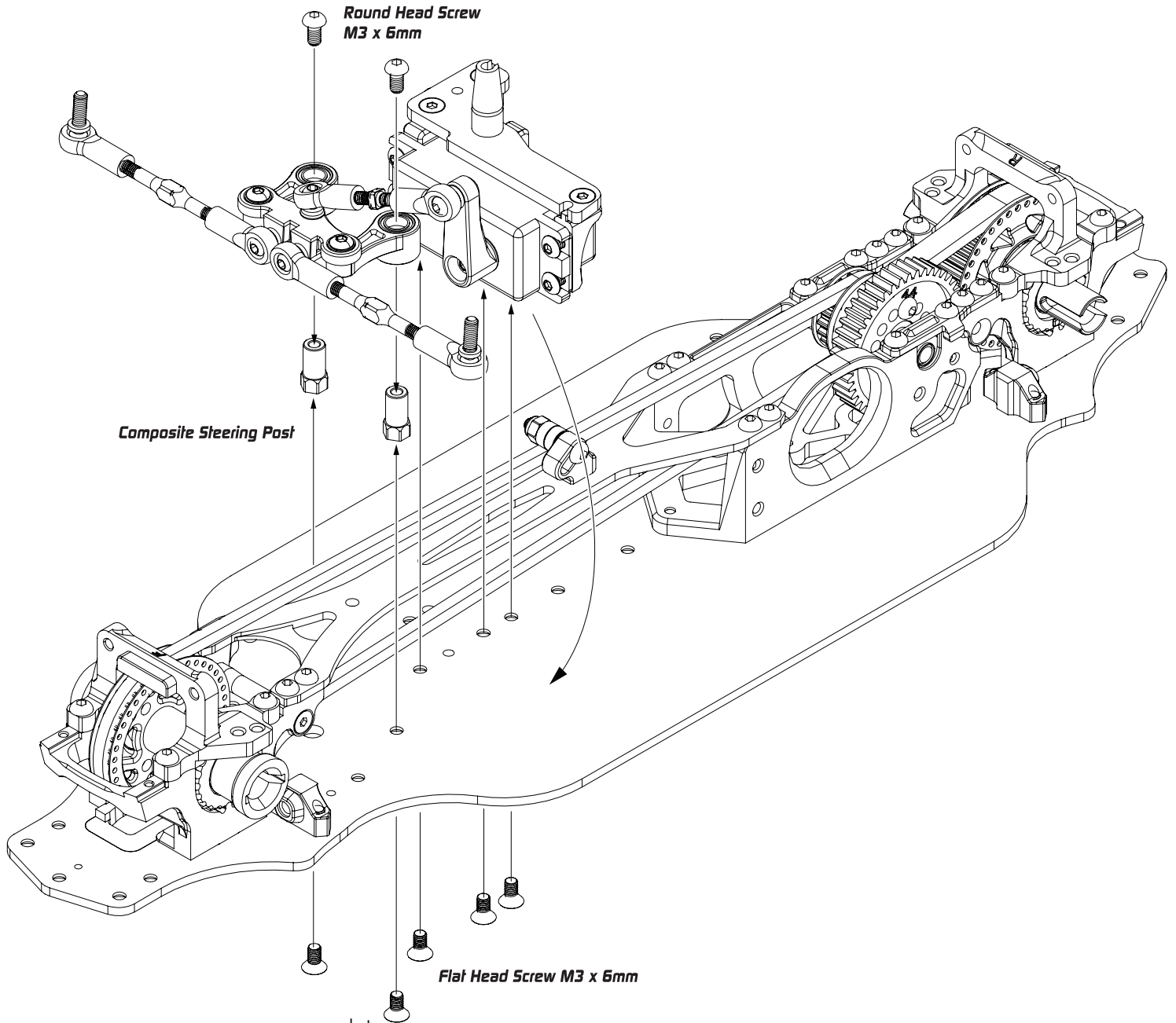
Composite Steering Post
For Dual Servo Saver 11.5mm
XP-10740



Flat Head Screw M3 x 6mm
XP-40046



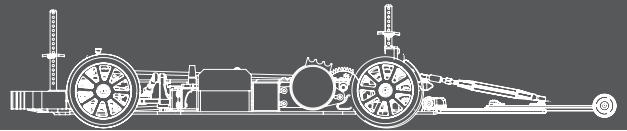
Round Head Screw M3 x 6mm
XP-40037



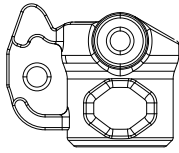
Optional



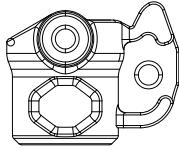
Aluminum Steering Post
For Dual Servo Saver 11.5mm
XP-10494



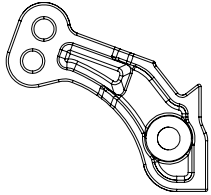
Bag E, J, HW F, H, I and Screw Bag



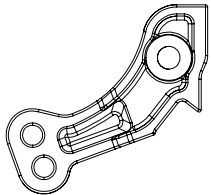
Composite Steering Block Right
XP-10109
Optional XP-10247



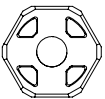
Composite Steering Block Left
XP-10109
Optional XP-10247



Composite Steering Block Plate Right
XP-10109
Optional XP-10247



Composite Steering Block Plate Left
XP-10109
Optional XP-10247



Composite Wheel Hub
XP-10262
Optional XP-10129, XP-20015, XP-20016



Bearing 5 x 10 x 4mm
XP-40064



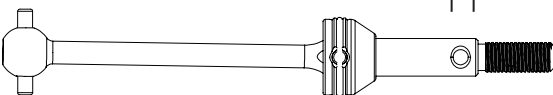
Pin 2 x 9.8mm
XP-40069



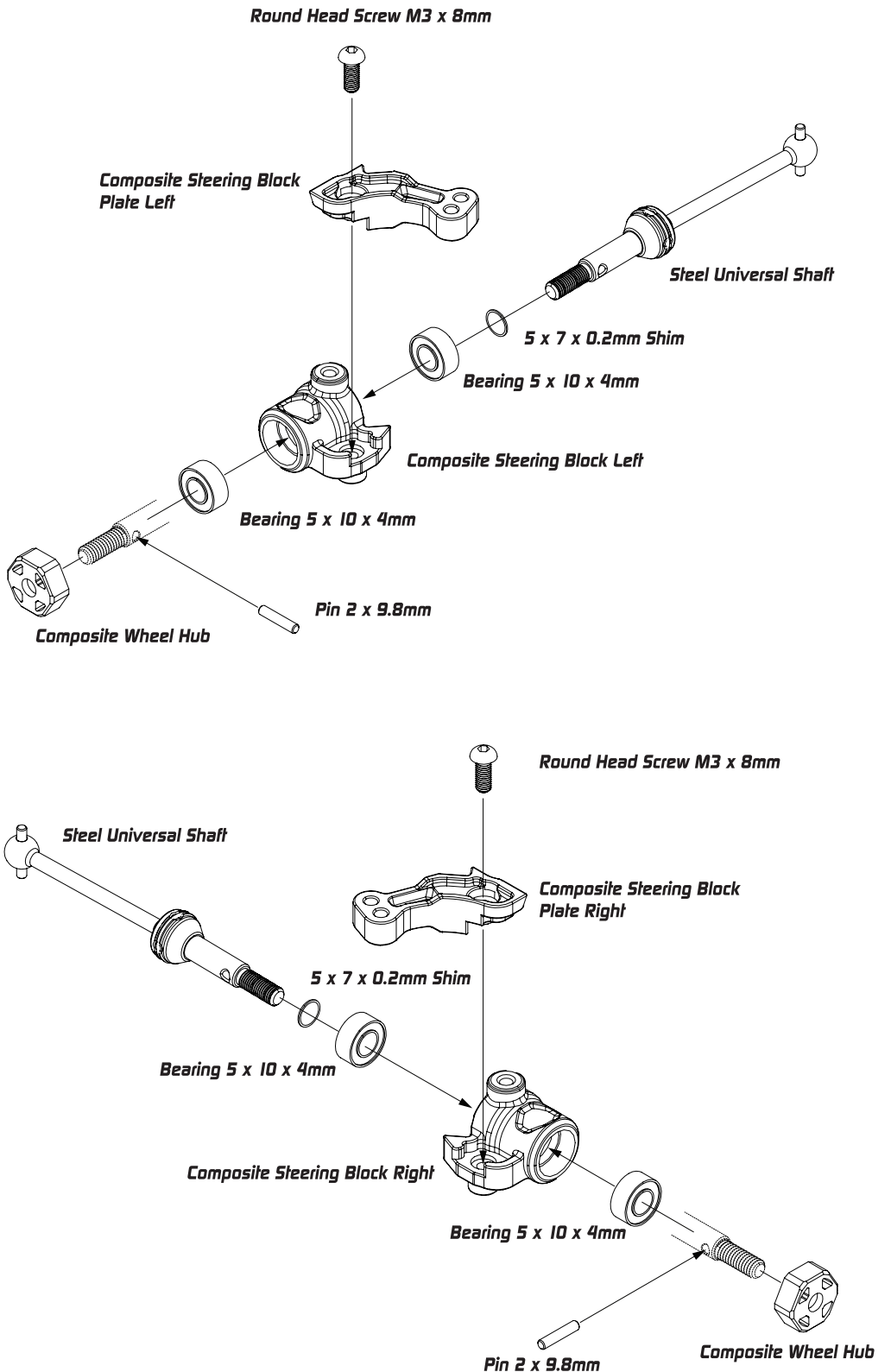
Round Head Screw M3 x 8mm
XP-40038

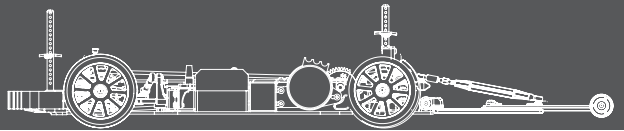


5 x 7 x 0.2mm Spacer
XP-40086

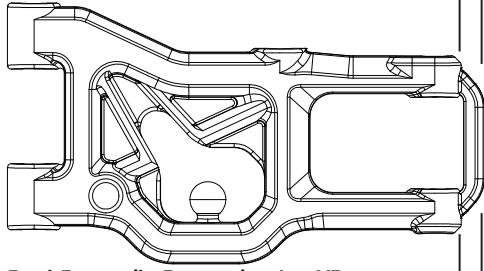


Steel Universal Shaft
XP-10244
Optional XP-10166, XP-10167, XP-10334

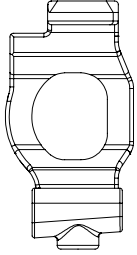




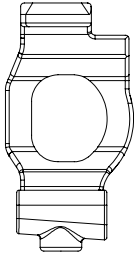
Bag J , L , HW I and Screw Bag



Front Composite Suspension Arm V2
XP-10922 *Optional XP-10923 (Hard)*



Composite C Hub 4 Degree L (Strong V2)
XP-10400
Optional XP-10810



Composite C Hub 4 Degree R (Strong V2)
XP-10400
Optional XP-10810



Suspension Pivot Pin 3 x 42mm
XP-10139



3mm Outer Suspension Pin w/ Groove
XP-10602



Set Screw M3 x 3mm
XP-40052

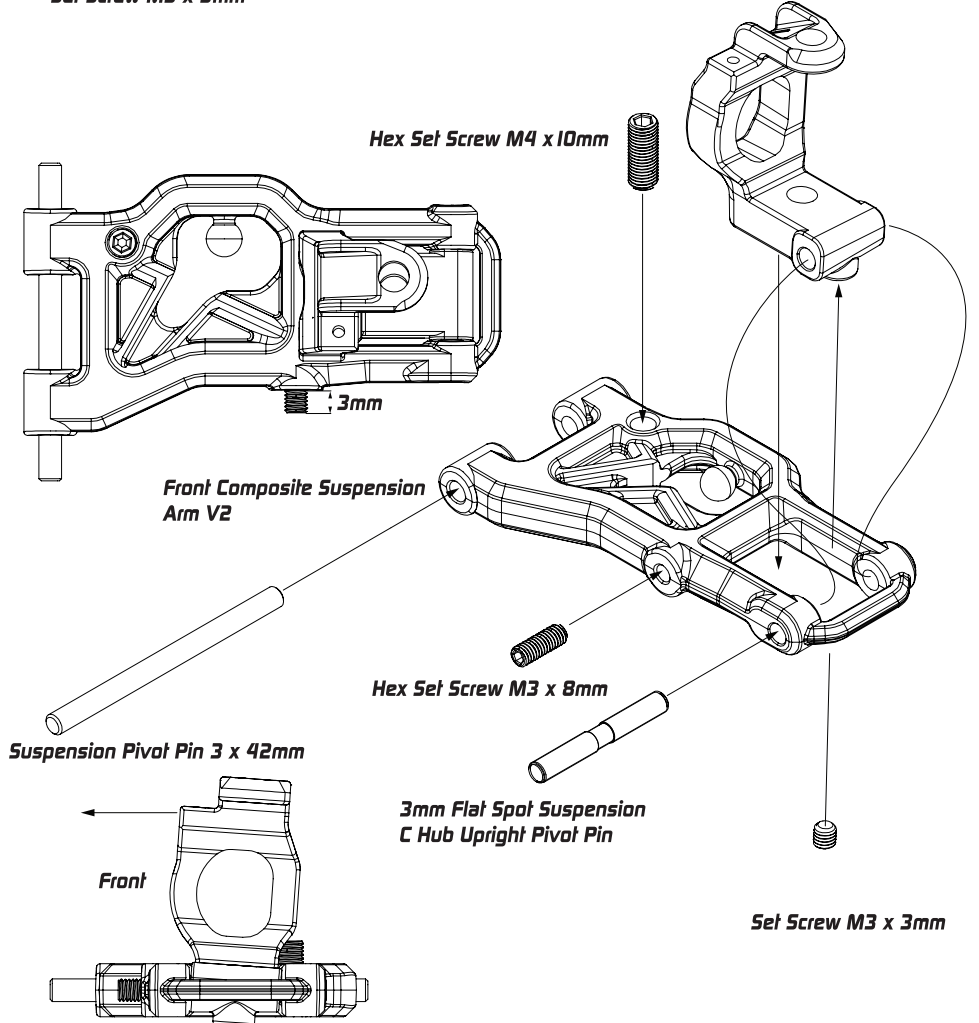
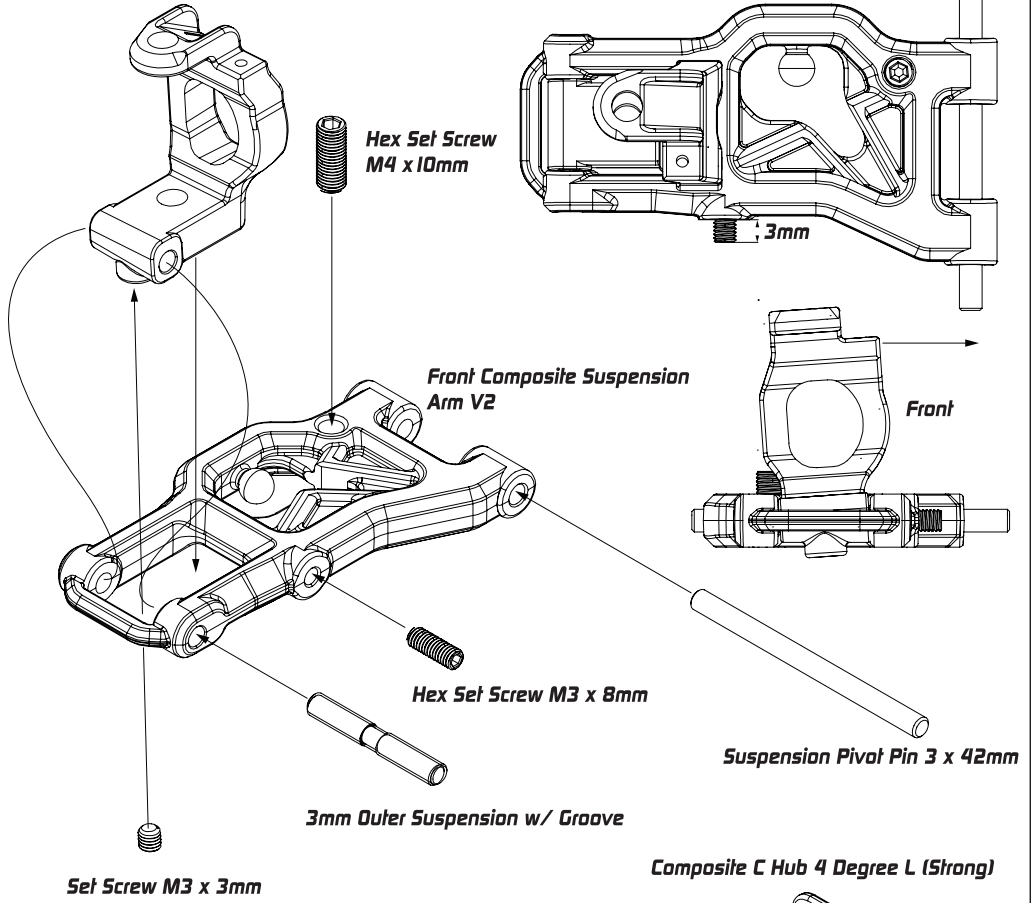


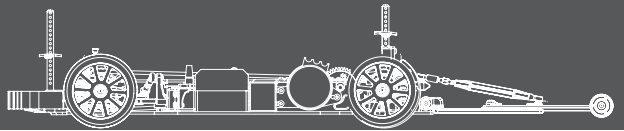
Hex Set Screw M4 x 10mm
XP-40056



Hex Set Screw M3 x 8mm
XP-40054

Composite C Hub 4 Degree R (Strong)





Bag G , I and Screw Bag



Flat Head Screw M3 x 8mm
XP-40048



Composite Suspension Mount - FF
XP-10260



3 x 5.5 x 1mm Composite Spacer
XP-10261

Optional



Diagonal Offset
Use either 0.5 or 1mm to shift the roll center in a diagonal direction from the center.

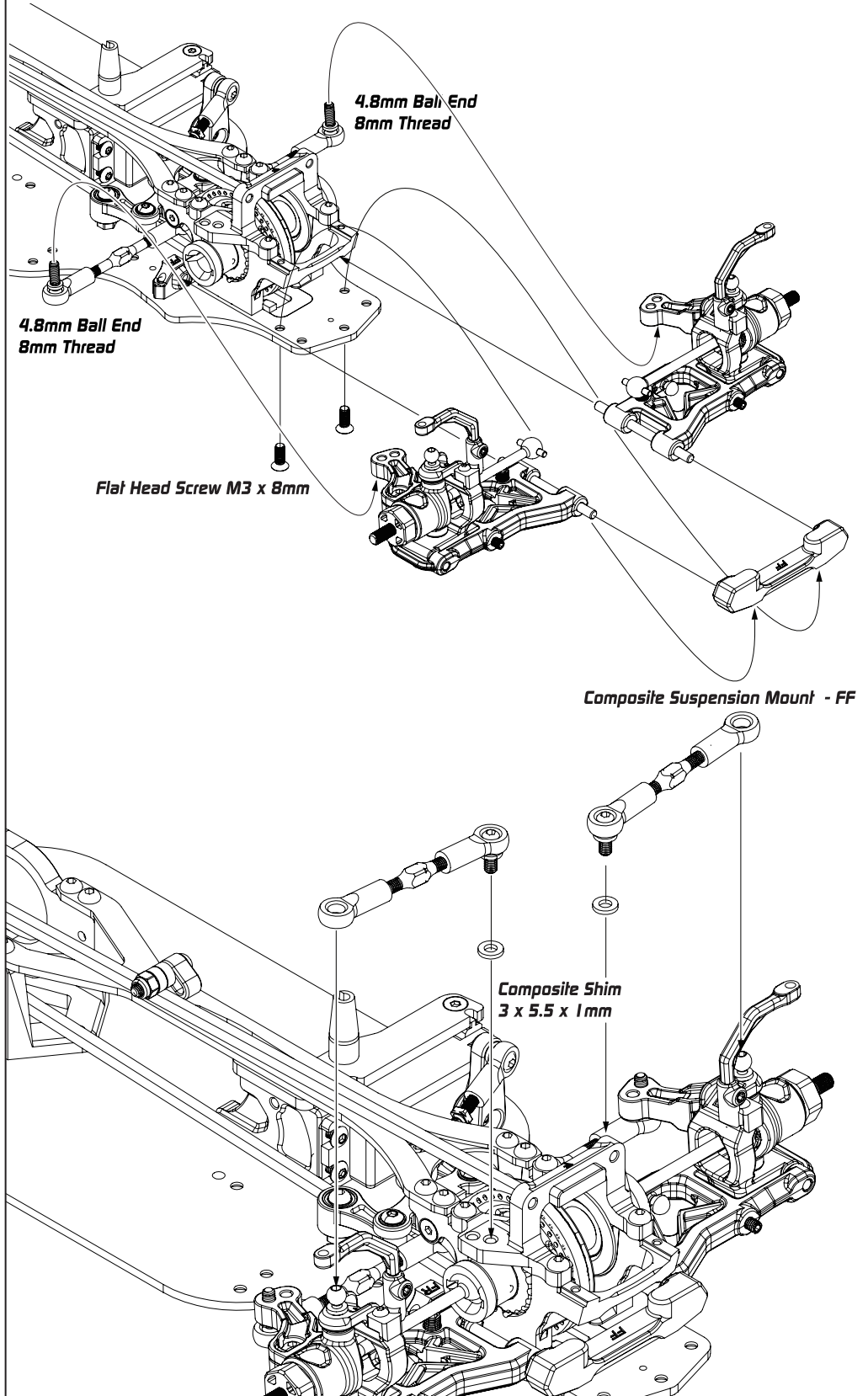


Eccentric Bushing Set
XP-10127

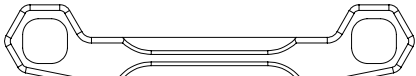
Alu Front Lower 1-Piece Suspension Holder - FF
XP-10114



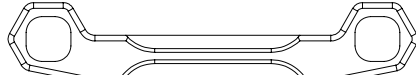
Horizontal Offset
Choice of either 0.5 or 1mm offset from center



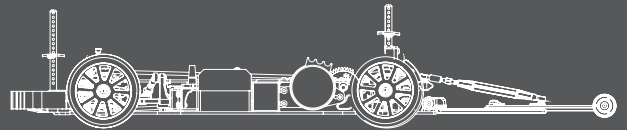
Optional



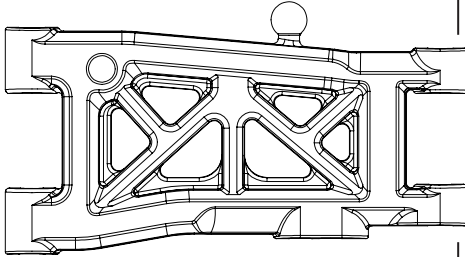
Alu Front Lower 1-Piece Suspension Holder - FF
XP-10114



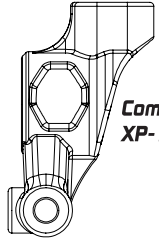
Brass Front Lower 1-Piece Suspension Holder - FF
XP-10199



Bag K , L ,HW F , H , I and Screw Bag



Rear Composite Suspension Arm V2
XP-10922 Optional XP-10923 (Hard)



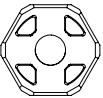
Composite Rear Upright (Strong) V2
XP-10689 Optional XP-10822



Driveshaft Protector Blade
XP-10128



Bearing 5 x 10 x 4mm
XP-40064



Composite Wheel Hub
XP-10262
Optional XP-20015 , XP-20016 , XP-10129



Pin 2 x 9.8mm
XP-40069



Suspension Pivot Pin 3 x 42mm
XP-10139



3mm Outer Suspension Pin w/ Groove
XP-10602



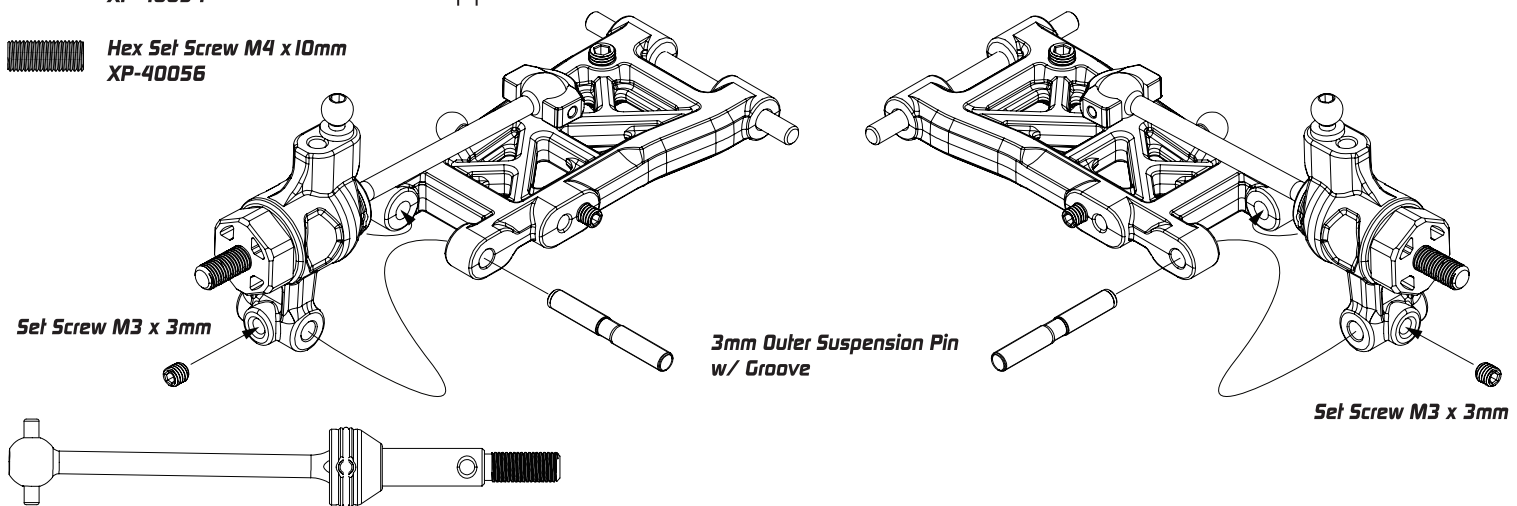
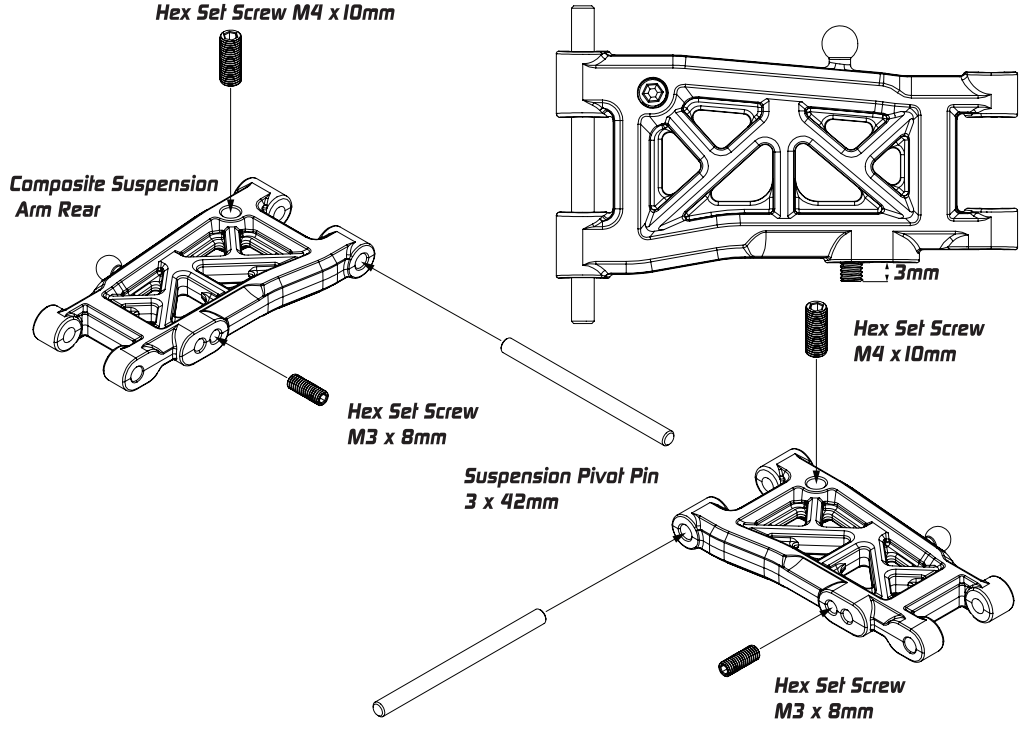
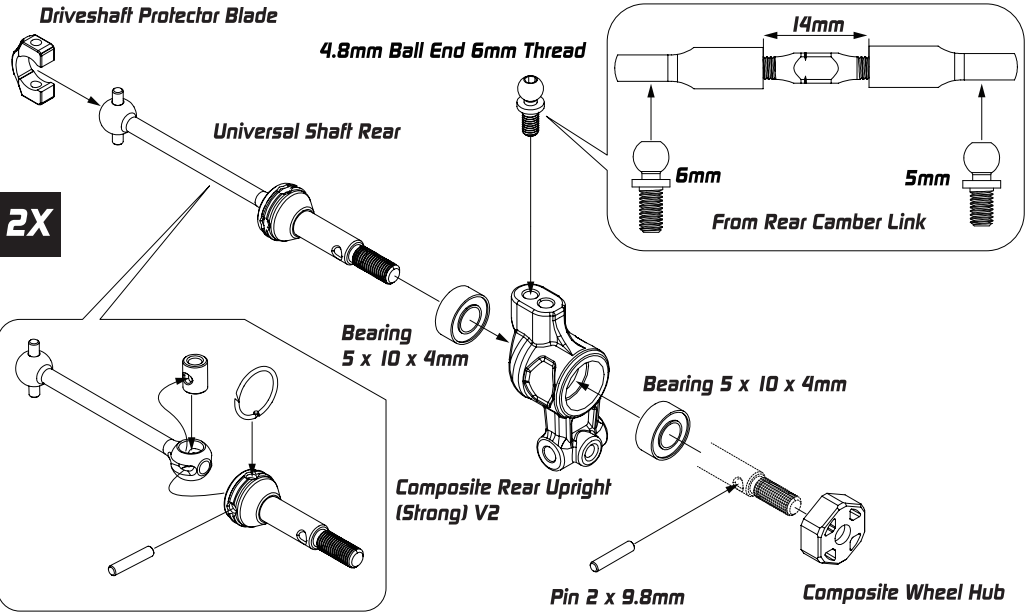
Set Screw M3 x 3mm
XP-40052



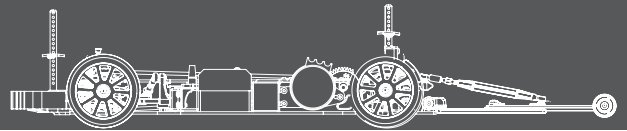
Hex Set Screw M3 x 8mm
XP-40054



Hex Set Screw M4 x 10mm
XP-40056



Steel Universal Shaft
XP-10244 Optional XP-10167



Bag C , I and Screw Bag



Composite Suspension Mount - RR
XP-10260

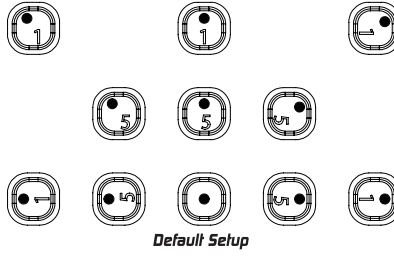


Flat Head Screw M3 x 8mm
XP-40048



Composite Shim 3 x 5.5 x 1 mm

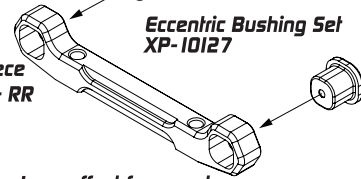
Optional



Diagonal Offset
Use either 0.5 or 1 mm to shift the roll center in a diagonal direction from the center.

Alu Rear Lower 1-Piece Suspension holder - RR
XP-10124

Horizontal Offset
Choice of either 0.5 or 1 mm offset from center

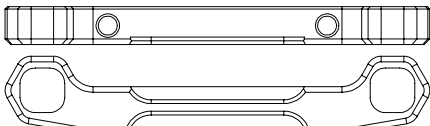


Composite Suspension Mount - RR

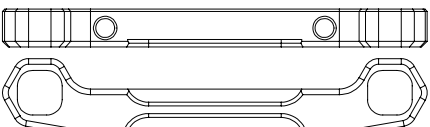
Flat Head Screw M3 x 8mm

Composite Shim 3 x 5.5 x 1 mm

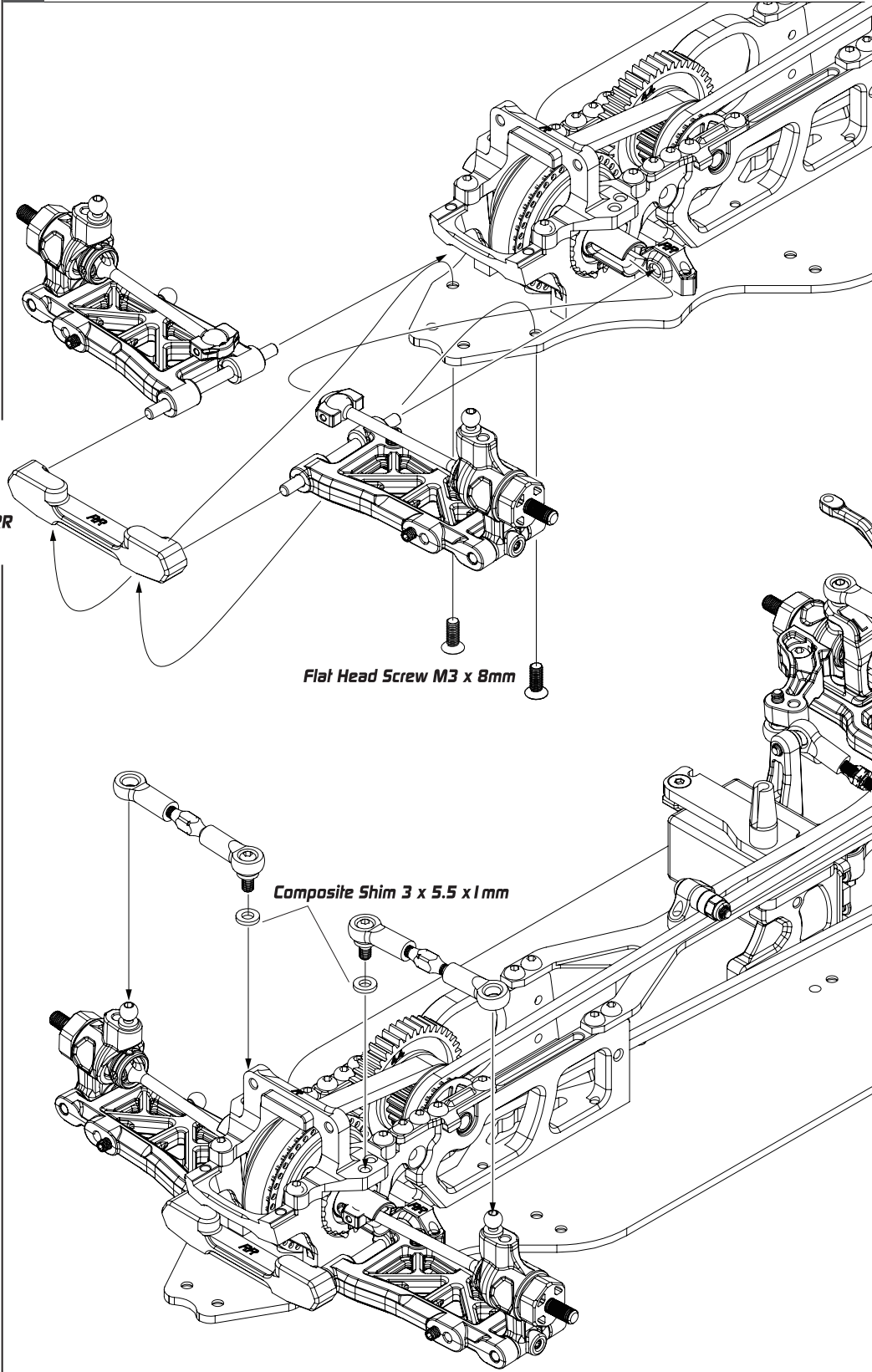
Optional

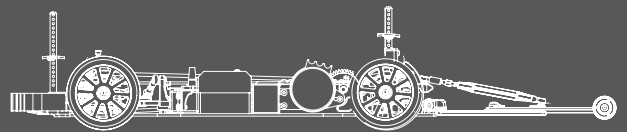


Alu Rear Lower 1-Piece Suspension holder - RR
XP-10124

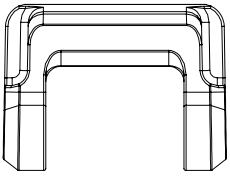


Brass Rear Lower 1-Piece Suspension holder - RR
XP-10200

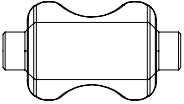




Bag M , P , HW A , B , H and Screw Bag



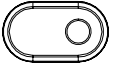
Wheelie Bar Mount A
XP-10915



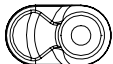
Wheelie Bar Mount B
XP-10915



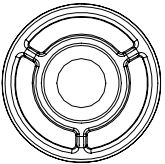
Wheelie Bar Mount C
XP-10915



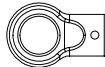
Wheelie Bar Mount Adjuster A
XP-10918



Wheelie Bar Mount Adjuster B
XP-10918



Wheels
XP-10915



Long Travel Short Shock
Lower Connector (Black)
XP-10396



Round Head Screw M3 x 8mm
XP-40038



Round Head Screw M3 x 12mm
XP-40040



Bearing 5 x 10 x 4mm
XP-40064



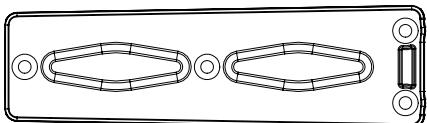
Pivot Ball 5.5 mm
XP-10121



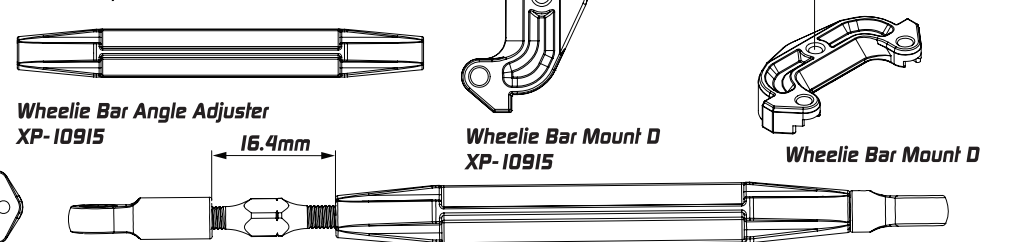
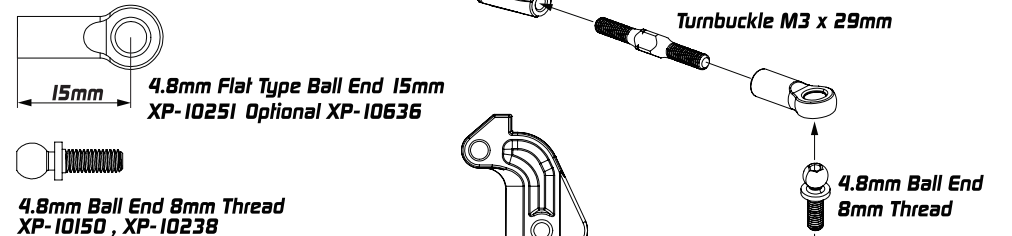
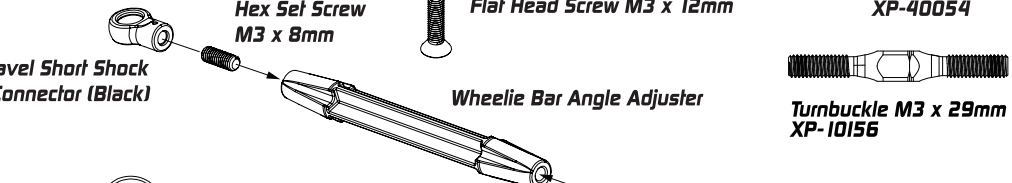
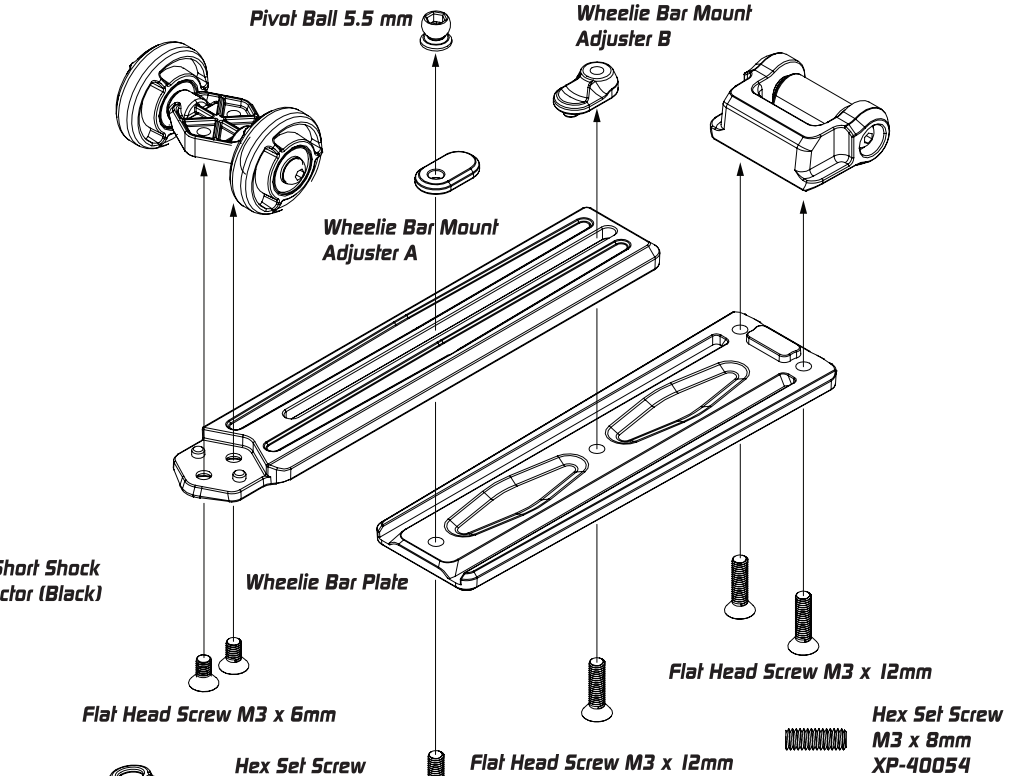
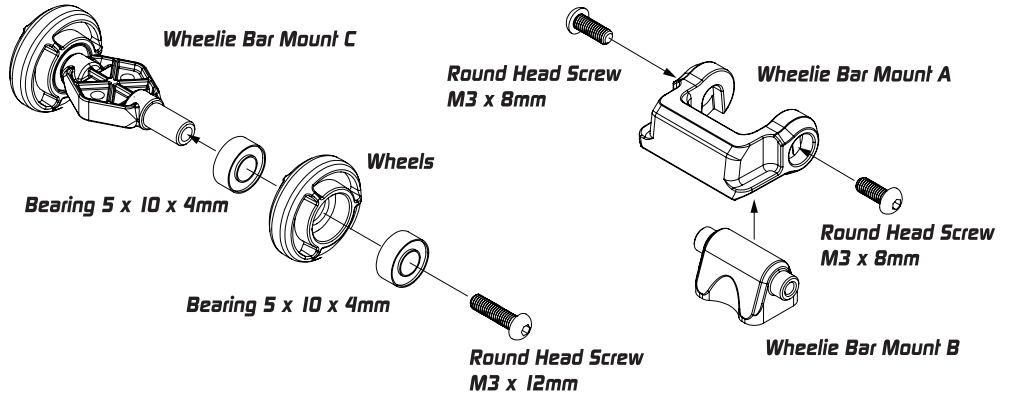
Flat Head Screw M3 x 6mm
XP-40046

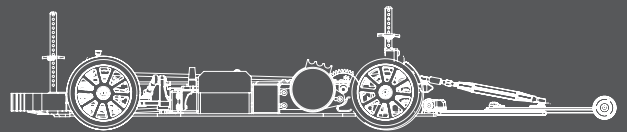


Flat Head Screw M3 x 12mm
XP-40050

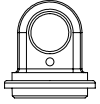


Wheelie Bar Plate
XP-10915

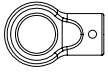




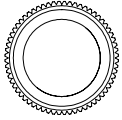
Bag M and Oil Bag



Long Travel Short Shock Composite Shock Top Connector (Black) XP-10396



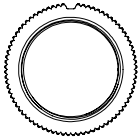
Long Travel Short Shock Lower Connector (Black) XP-10396



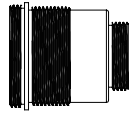
Alu Upper Short Shock Cap XP-10397



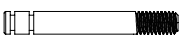
Alu Lower Short Shock Cap XP-10398



Alu Short Shock Spring Tension Adjust Nut XP-10399



Composite Short Shock Body XP-10596



Short Shock Shaft XP-10582



4 Hole Piston XP-10159



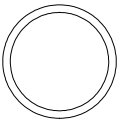
Shock Absorber Membrane XP-10147



E-Clip 2.5mm XP-40057



Shock O-Ring XP-10160



O Ring For Short Shock Spring Adjust Nut XP-10607

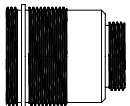


Shaft Cover XP-10159

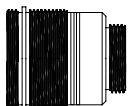
Optional



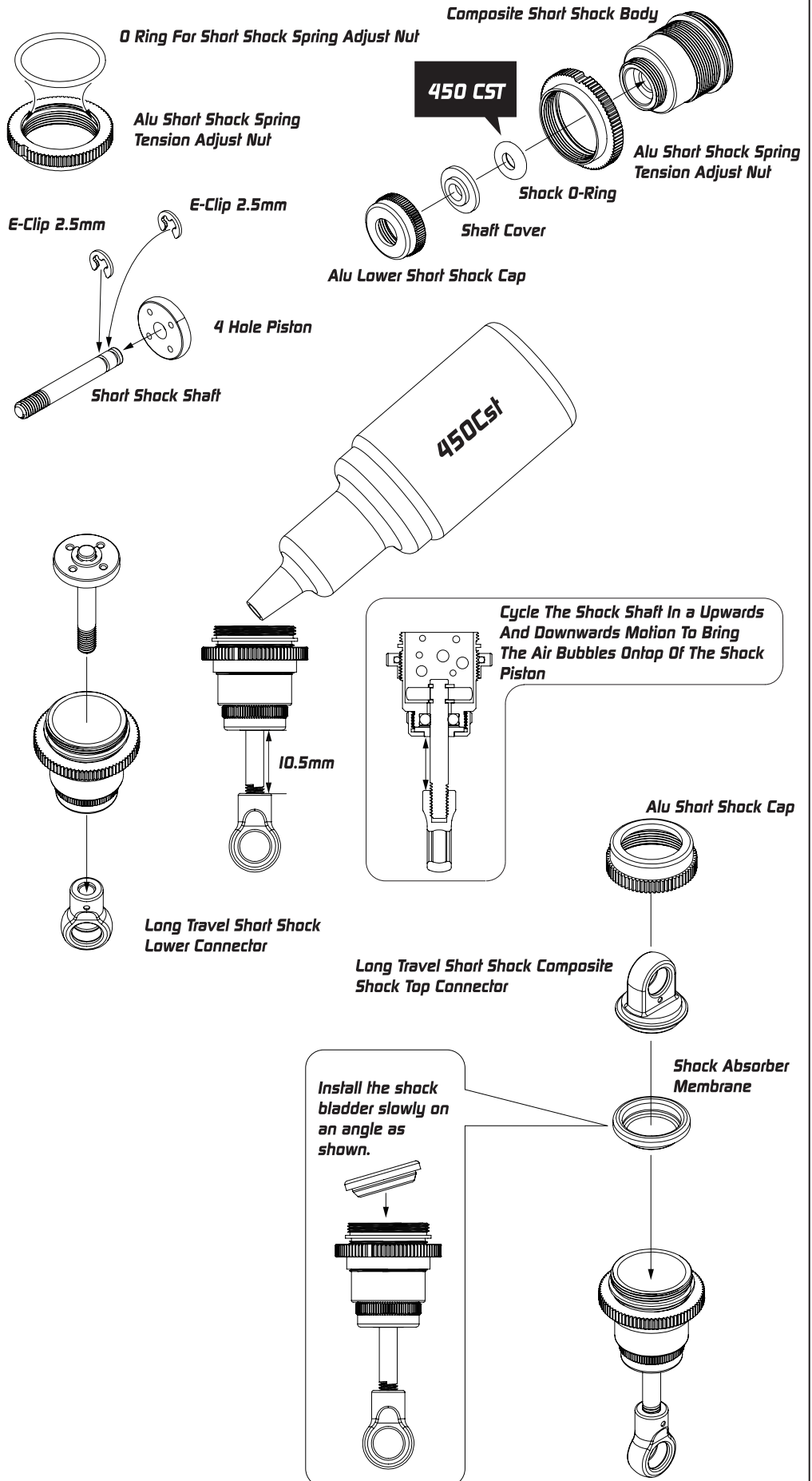
Shock X-Ring XP-10601

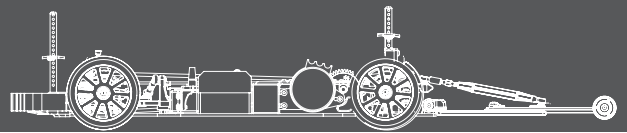


Long Travel Aluminum Short Shock Body XP-10725

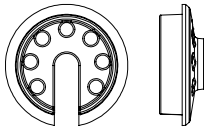


Progressive Aluminum Short Shock Body XP-10718

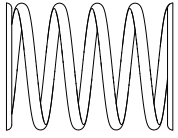




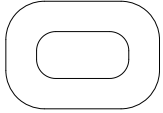
Bag M, FRP and Screw Bag



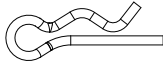
Short Spring Retainer (Black) XP-10396



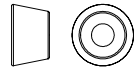
Shock Spring Medium Silver XP-10169
Optional XP-10168 (Soft)
XP-10170 (Stiff)



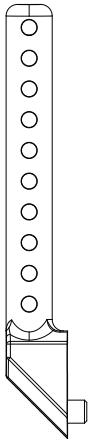
Body Height Adjuster Support XP-10561



Body Clip XP-10055



Composite Shock Spacer XP-10918



Rear Body Post XP-10561



Pivot Ball 5.5 mm XP-10121



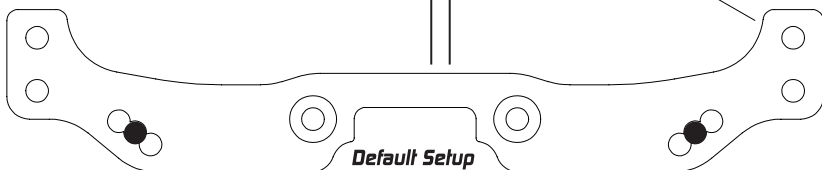
Round Head Screw M3 x 8mm XP-40038



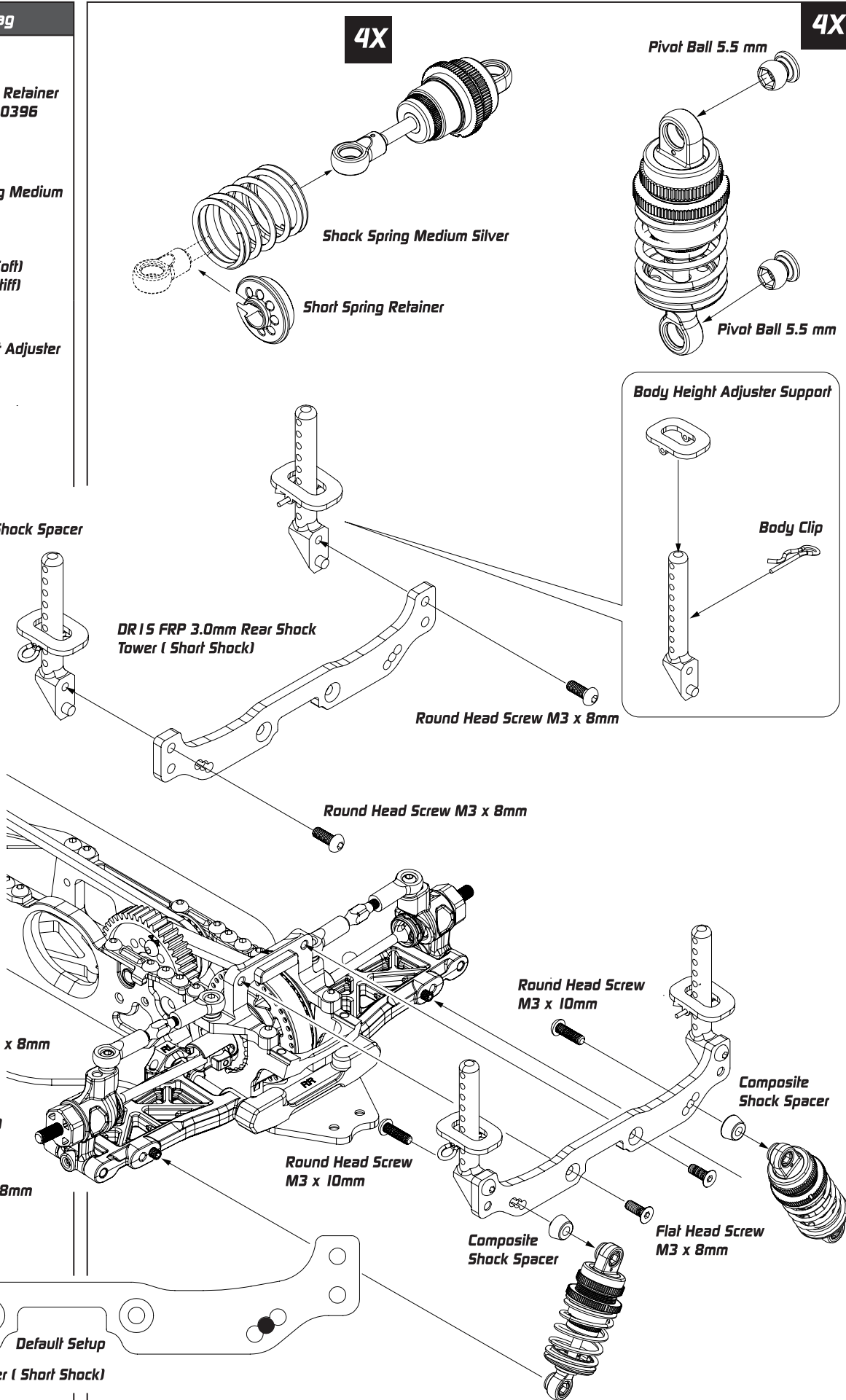
Round Head Screw M3 x 10mm XP-40039

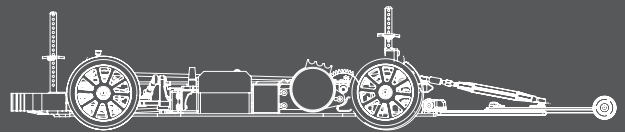


Flat Head Screw M3 x 8mm XP-40048

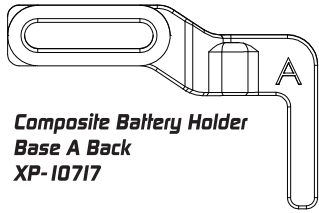


DR15 FRP 3.0mm Rear Shock Tower (Short Shock) XP-10937

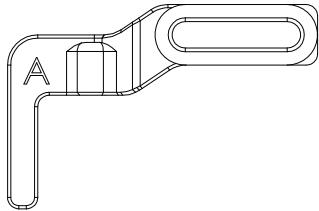




Bag 0 and Screw Bag



Composite Battery Holder Base A Back XP-10717



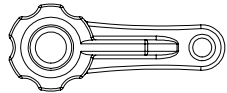
Composite Battery Holder Base A Front XP-10717



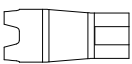
Composite Battery Adaptor B XP-10717



Hex Set Screw M3 x 4mm XP-40053



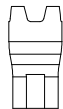
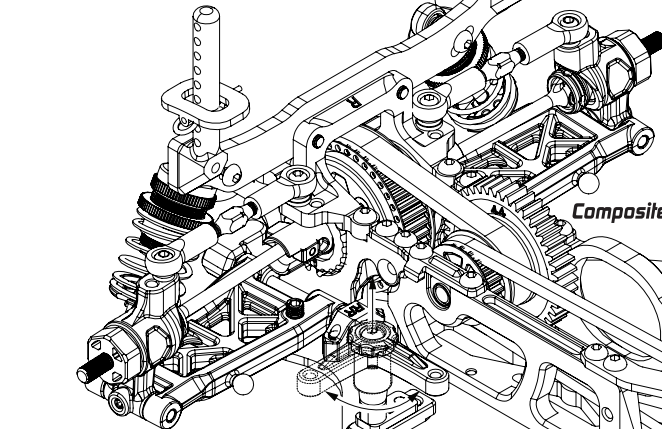
Composite Battery Holder XP-10717



Composite Battery Holder Post For Standard Battery XP-10717



Flat Head Screw M3 x 6mm XP-40046



Composite Battery Holder Post For LCG Battery XP-10717



Battery Holder Spring XP-10717



Battery Holder Post XP-10717



Round Head Screw M3 x 12mm XP-40040

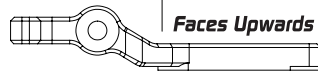


Flat Head Screw M3 x 8mm XP-40048

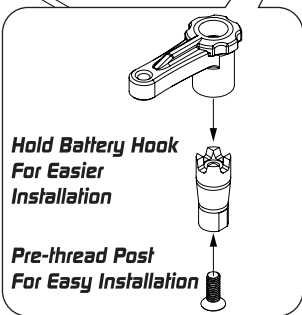


Flat Head Screw M3 x 14mm XP-40114

Note The Direction

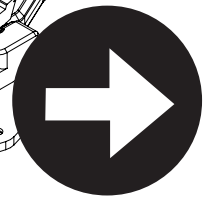


Note The Direction

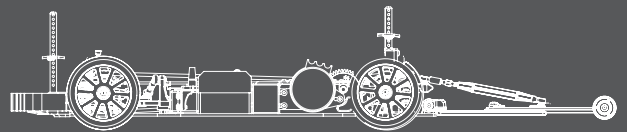


Hold Battery Hook For Easier Installation

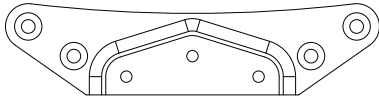
Pre-thread Post For Easy Installation



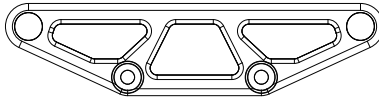
More Information On Next Page



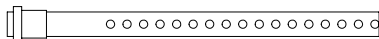
Bag P and Screw Bag



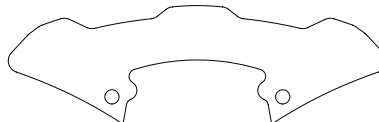
Lower Bumper
XP-10561



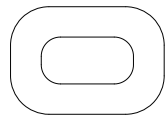
Bumper Plate For Light Bumper
XP-10561 Optional XP-10243, XP-10387



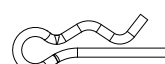
Front Body Post
XP-10561



DR15 Foam Bumper
XP-10926



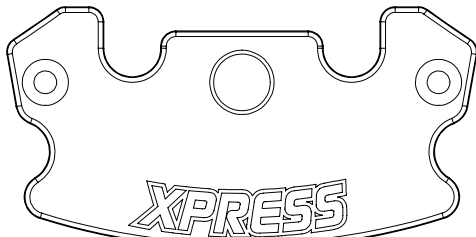
Body Height Adjuster Support
XP-10561



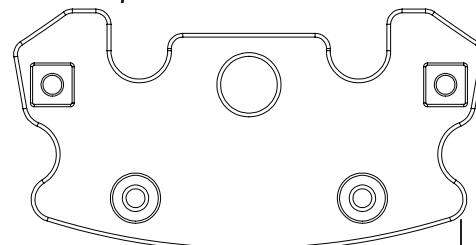
Body Clip
XP-10055



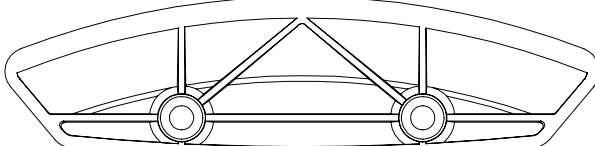
Flat Head Screw M3 x 8mm
XP-40048



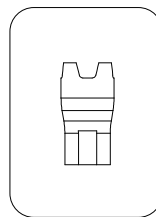
Composite Upper Bumper Plate
XP-10917 Optional XP-10925



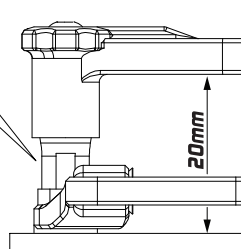
Brass Lower Bumper Plate (90g)
XP-10927



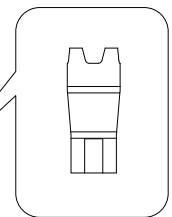
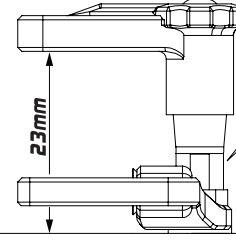
Composite Bumper Plate Support
XP-10917



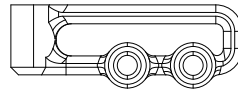
Composite Battery Holder Post For LCG Battery
XP-10717



Freely Adjust Height Of Post With Shims, Change To a 16mm Screw If Needed

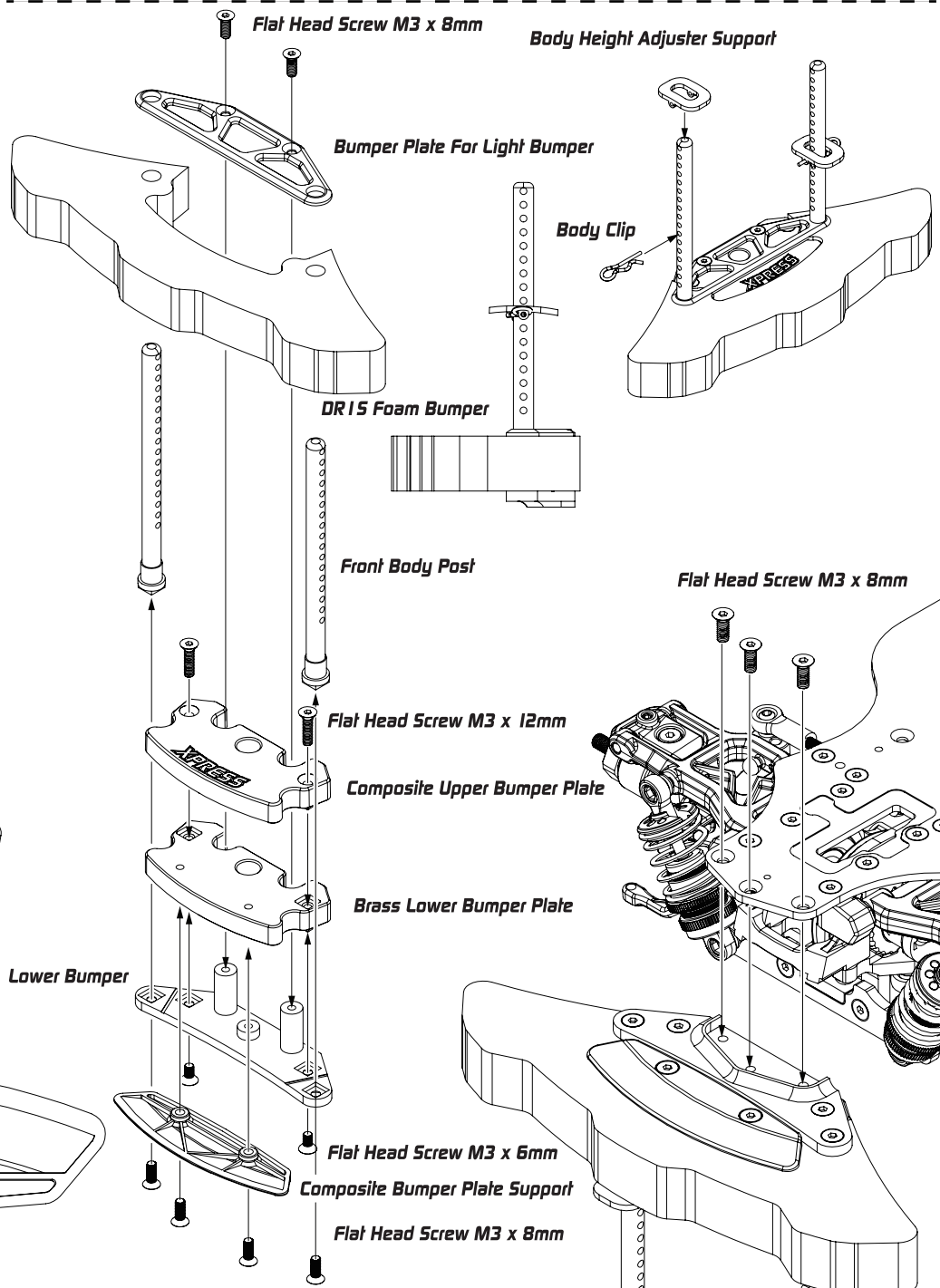


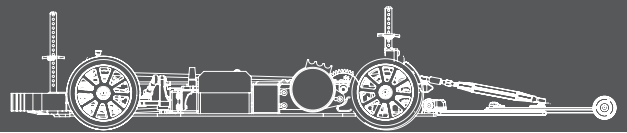
Composite Battery Holder Post For Standard Battery
XP-10717



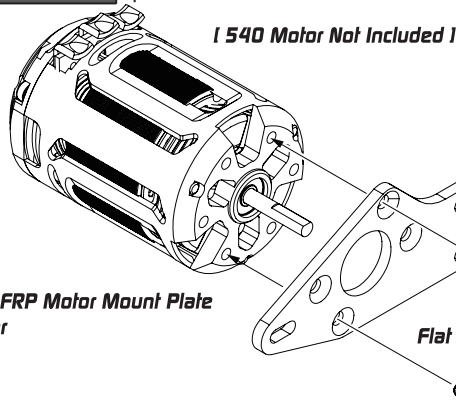
Composite Lipo Battery Backstop
XP-10180

Use Composite Battery Stop and Tape When Using Thick 3s/4s Batteries





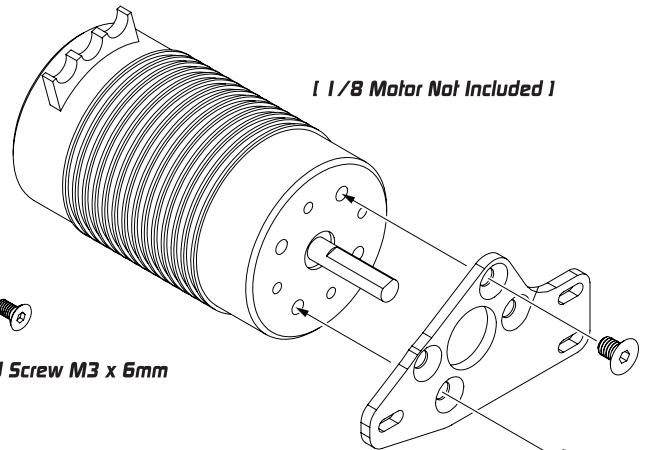
Bag FRP and Screw Bag



**DR15 2.5mm FRP Motor Mount Plate
For 540 Motor
XP-10910**

[540 Motor Not Included]

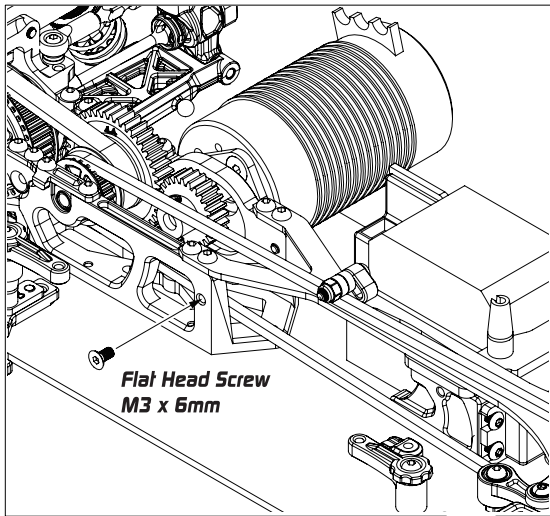
Flat Head Screw M3 x 6mm



[1/8 Motor Not Included]

**DR15 2.5mm FRP Motor Mount Plate
For 1/8 Motor
XP-10909**

**Flat Head Screw
M4 x 6mm**



**Flat Head Screw
M3 x 6mm**

[Pinion Not Included]



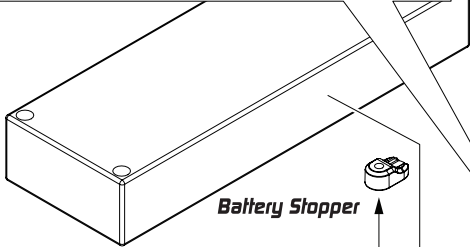
**Round Head Screw M3 x 8mm
XP-40038**



**Flat Head Screw M3 x 6mm
XP-40046**

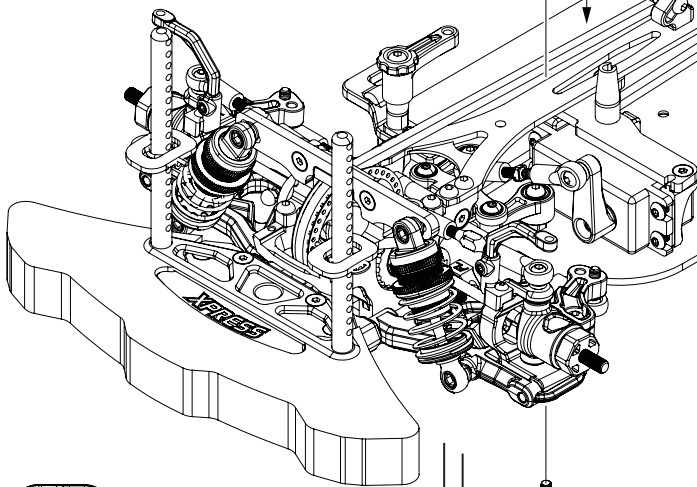


**Flat Head Screw M4 x 6mm
XP-40203**



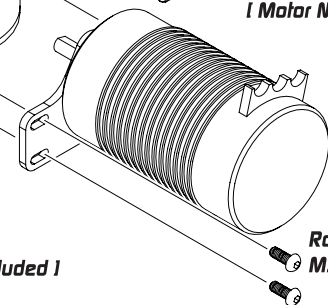
Battery Stopper

[Battery Not Included]



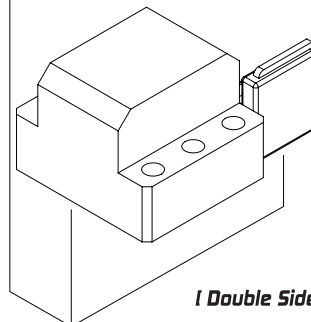
**Flat Head Screw
M3 x 6mm**

[Motor Not Included]



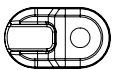
**Round Head Screw
M3 x 8mm**

[ESC Not Included]

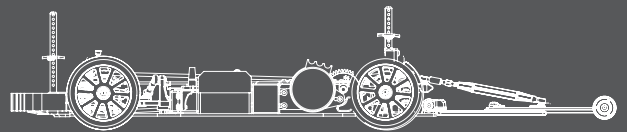


[Receiver Not Included]

[Double Sided Tape Not Included]



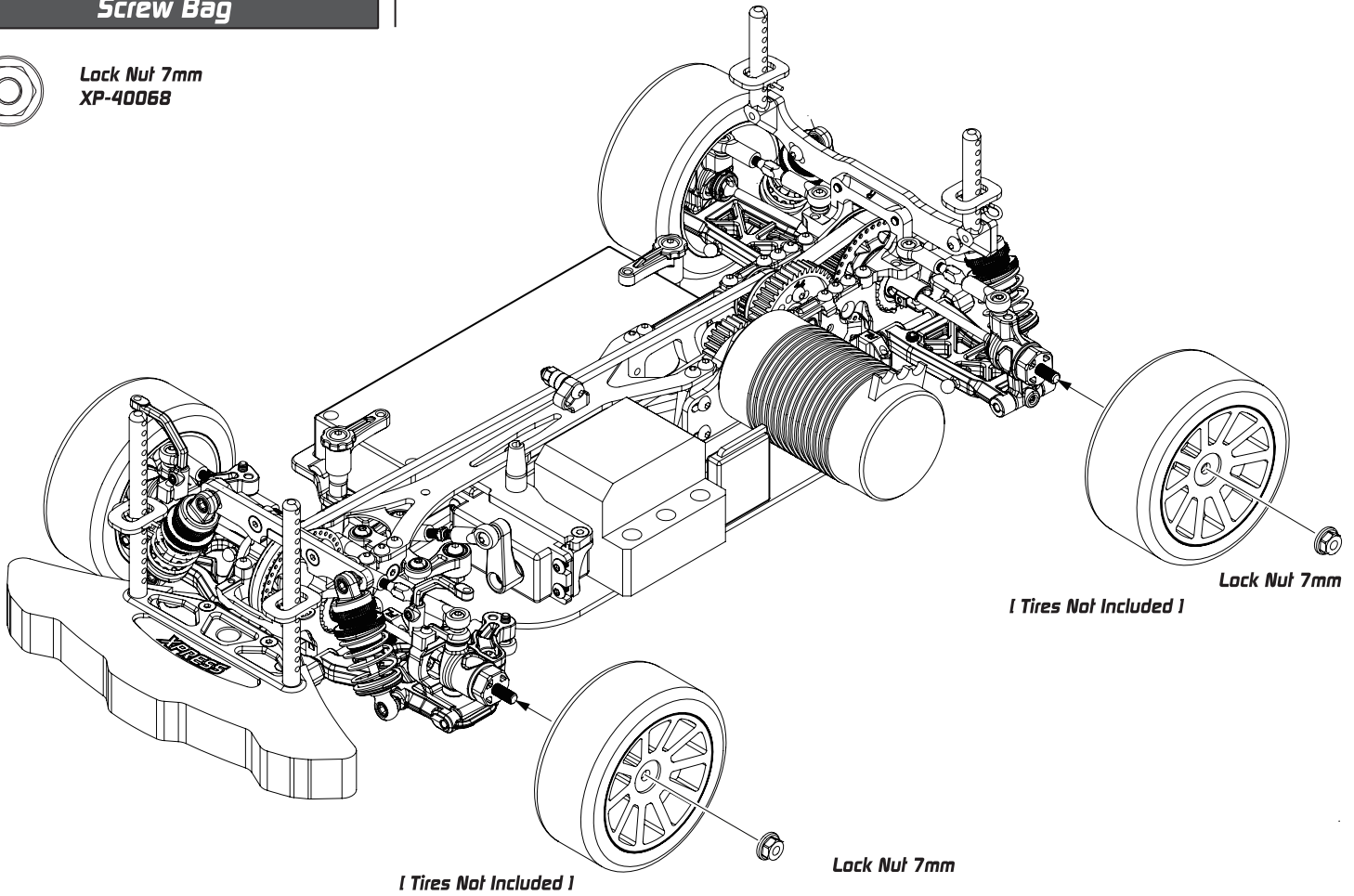
**Battery Stopper
XP-10918**



Screw Bag



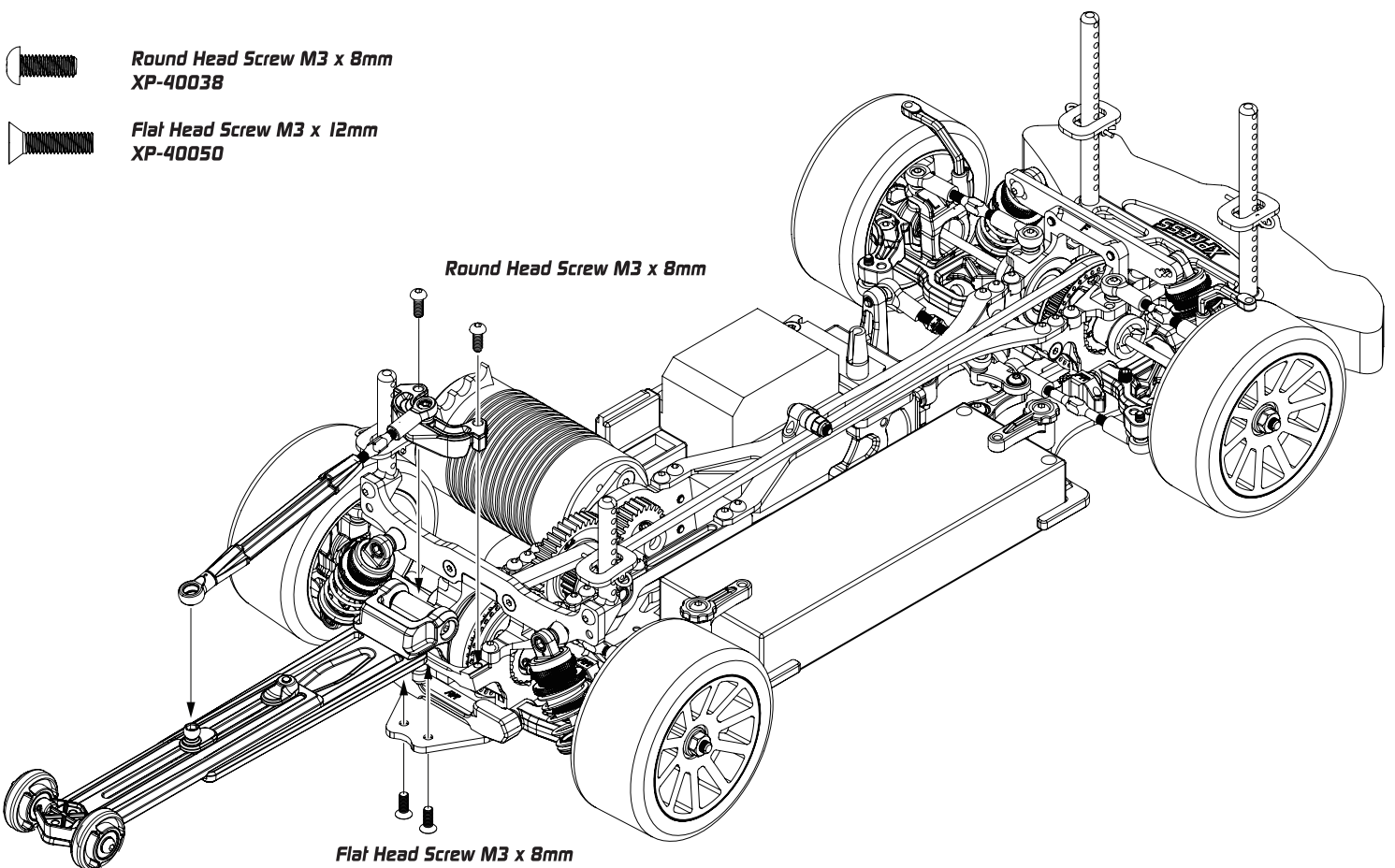
Lock Nut 7mm
XP-40068



Round Head Screw M3 x 8mm
XP-40038



Flat Head Screw M3 x 12mm
XP-40050





DR1S Original Parts	
Model	Product Name
XP-10009	Gear Differential Bevel Satellite Gears Set
XP-10055	Body Clips 20pcs
XP-10107	Composite Ball Bearing Tension Adjustment Hub 4pcs
XP-10109	Composite Steering Block Pair
XP-10121	5.5mm Pivot Ball 8pcs
XP-10128	Driveshaft Protector Blade 8pcs
XP-10134	Center Layshaft Pulley Set
XP-10139	3.0mm Suspension Pivot Pin 4pcs
XP-10147	Shock Membrane 8pcs
XP-10148	4.8mm Ball End 5mm Thread 10pcs
XP-10149	4.8mm Ball End 6mm Thread 10pcs
XP-10150	4.8mm Ball End 8mm Thread 10pcs
XP-10156	Steel Turnbuckle 29 mm 4pcs
XP-10157	Steel Steering Turnbuckle Set
XP-10159	Composite 1.1mm Hole Piston And Spacer Set
XP-10160	Shock O-RING 8pcs
XP-10163	Composite Servo Horn Belt Tensioner Set
XP-10169	Medium Spring Pair Silver 2pcs
XP-10179	Gear Differential Gasket 5pcs
XP-10181	Gear Differential Spacer 5x15.5x0.4mm 10pcs
XP-10182	Gear Differential Spacer 3.6x9.5x0.2mm 10pcs
XP-10183	Silicone Gear Differential O-RING 25x1mm 10pcs
XP-10184	Silicone Gear Differential O-RING 5x2mm 10pcs
XP-10236	4.8mm Ball End 5mm Thread 4pcs
XP-10237	4.8mm Ball End 6mm Thread 4pcs
XP-10238	4.8mm Ball End 8mm Thread 4pcs
XP-10244	Steel Universal Shaft 2pcs
XP-10251	4.8mm Flat Type Ball End 15mm 4pcs
XP-10252	4.8mm Flat Type Ball End 13mm 2pcs
XP-10259	Aluminum Center Post
XP-10260	Composite Suspension Mount Set
XP-10261	Composite Steering Set
XP-10265	Composite Spool Cups 2pcs
XP-10288	Gear Diff Outdrive Adapter 2pcs
XP-10396	Short Shock Composite Shock Part (Black)
XP-10397	Aluminum Upper Short Shock Cap 2pcs (Sport)
XP-10398	Aluminum Lower Short Shock Cap 2pcs (Sport)
XP-10399	Aluminum Short Shock Spring Tension Adjust Nut 2pcs (Sport)
XP-10400	Composite C Hub 4 Degree L/R (Strong V2)
XP-10401	C Hub King Pin Set 2+2 V2
XP-10561	Bumper Body Post (Foam Bumer LIGHT)
XP-10582	Short Shock Shaft 2pcs
XP-10596	Composite Short Shock Body 4pcs
XP-10602	3mm Outer Suspension pin w/ Groove 4pcs
XP-10607	O Ring For Spring Adjust Nut 4pcs (Short Shock)
XP-10635	Grey Composite 4.8mm Flat Type Ball End 13mm 4pcs
XP-10636	Grey Composite 4.8mm Flat Type Ball End 15mm 4pcs
XP-10689	Composite Rear Upright 2 PCS V2
XP-10699	Front and Rear Composite One Piece Upper Clamp V2
XP-10717	Composite Anti Tweak Battery Holder
XP-10740	Xpress Execute XQ1S XM1S FM1S Composite Steering Set
XP-10797	Composite Short Shock Set 2pcs
XP-10819	Body Support Brace
XP-10907	DR1S 2.5mm FRP Main Chassis
XP-10908	DR1S 2mm FRP Top Deck
XP-10909	DR1S 2.5mm FRP Motor Mount Plate For 1/8 Motor
XP-10910	DR1S 2.5mm FRP Motor Mount Plate For 540 Motor
XP-10911	DR1S Aluminum Solid Layshaft
XP-10912	DR1S Aluminum Motor Mount
XP-10913	Kevlar Drive Belt 3.5 x 528mm
XP-10914	Kevlar Drive Belt 6.5 x 171mm
XP-10915	DR1S Composite Wheelie Bar Part A
XP-10916	DR1S Composite Motor Mount Stiffener Set
XP-10917	Composite Bumper Plate Support
XP-10918	DR1S Composite Wheelie Bar Part B and Battery Holder
XP-10919	DR1S Composite Bulkhead Set
XP-10920	Wide Belt 20T Center Pulley
XP-10921	Wide Belt Gear Differential Case and Cover
XP-10922	Front And Rear Composite Suspension Arm V2
XP-10926	DR1S Foam Bumper
XP-10927	Brass Lower Bumper Plate (90g)
XP-10934	DR1S Composite 38T Spool Set
XP-10937	DR1S FRP 3.0mm Rear Shock Tower (Short Shock)

DR1S Option Parts	
Model	Product Name
XP-10104	Aluminum Front One Piece Upper Clamp
XP-10105	Front Camberlink Mount 2pcs
XP-10111	Aluminum Dual Servo Saver Arm 2pcs
XP-10113	Aluminum Steering Plate For Dual Servo Saver 4mm
XP-10114	Aluminum FF Lower 1 Piece Suspension Mount
XP-10119	Aluminum Shim 3x5.5x1.0mm Red 20pcs
XP-10120	Aluminum Shim 3x5.5x2.0mm Red 20pcs
XP-10123	Aluminum 2 Piece Suspension Mount 2pcs
XP-10124	Aluminum RR Lower one Piece Suspension Mount
XP-10125	Aluminum Gear Diff Outdrive Adapter 2pcs
XP-10127	Eccentric Bushing Set
XP-10129	Aluminum 5mm Wheel Hub Red 2pcs
XP-10130	Aluminum Rear One Piece Upper Clamp
XP-10131	Rear Camberlink Mount 2pcs
XP-10136	Aluminum Servo Mount
XP-10151	4.8mm Ball End 10mm Thread 10pcs
XP-10166	Steel Double Joint Universal Shaft 2pcs
XP-10167	Steel Universal Shaft Rear 2pcs
XP-10168	Soft Spring Pair Black 2pcs
XP-10170	Stiff Spring Pair Pink 2pcs
XP-10191	Aluminum Rf One Piece Suspension Mount
XP-10198	Brass 2 Piece Suspension Mount
XP-10199	Brass FF One Piece Suspension Mount
XP-10200	Brass RR One Piece Suspension Mount
XP-10239	4.8mm Ball End 10mm Thread 4pcs
XP-10240	Aluminum Shim 3x5.5x1.0mm Red 10pcs
XP-10241	Aluminum Shim 3x5.5x2.0mm Red 10pcs
XP-10242	Brass Chassis Balancing Weights 10g 5g 4pcs
XP-10243	Graphite 2.25mm Upper Bumper Holder
XP-10247	Left and Right Hard Composite Steering Block
XP-10253	4.8mm Flat Type Ball End 10mm 4pcs
XP-10334	39.3mm Spring Steel Double Joint Universal Shaft 2pcs
XP-10387	Aluminum Upper Bumper Holder
XP-10494	Aluminum Steering Post For Dual Servo Saver 11.5mm 2pcs
XP-10556	Steel Spool Outdrive Adapter 2pcs
XP-10588	Separate Bulkhead Type A
XP-10589	Separate Bulkhead Type B
XP-10593	Long Travel Short Shock Set 2pcs
XP-10600	Silicone Gear Differential X-RING 5x2mm 10pcs
XP-10601	Shock X-Ring 10pcs
XP-10610	Double Joint Universal Shaft Bone
XP-10611	Double Joint Universal Shaft Axle
XP-10612	Double Joint Universal Shaft Case
XP-10613	Double Joint Universal Shaft Coupling Pins
XP-10637	Aluminum FR One Piece Suspension Mount
XP-10638	Brass FR One Piece Suspension Mount
XP-10671	Titanium Outdrive Adapter 3.5mm 2pcs
XP-10718	Progressive Aluminum Short Shock Body 2pcs
XP-10725	Long Travel Aluminum Short Shock Body 2pcs
XP-10726	Lower Suspension Mount Spacer 0.5mm
XP-10810	Composite C Hub 4 Degree L/R (Hard Strong) V2
XP-10822	Composite Rear Upright 2 PCS (Hard) V2
XP-10923	Front And Rear Composite Suspension Arm V2 (Hard)
XP-10925	Brass Upper Bumper Plate (90g)



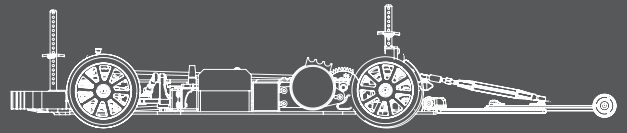
Scan QR Code For More Information



Xpress Dragnalo DR15 (32Pitch-Spur Gear 40T to 44T)

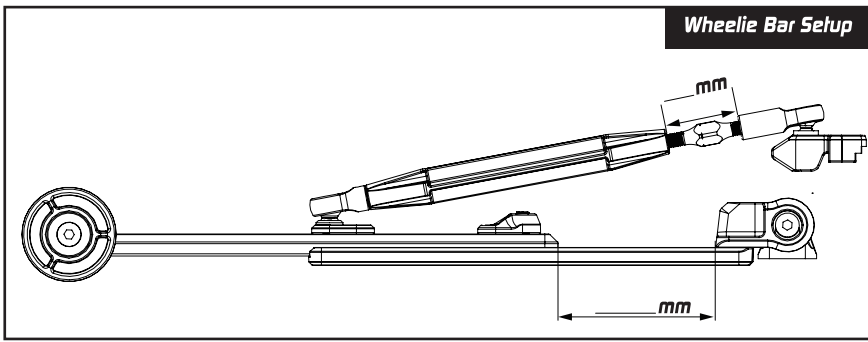
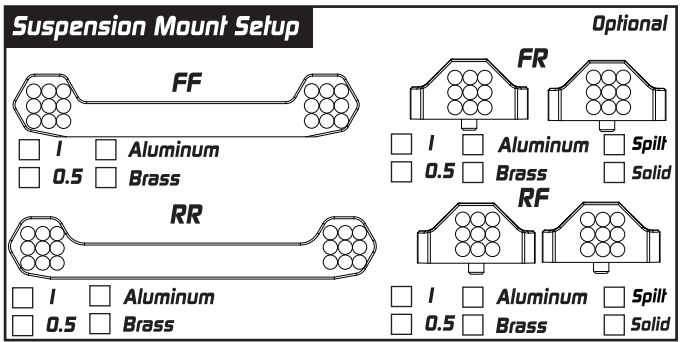
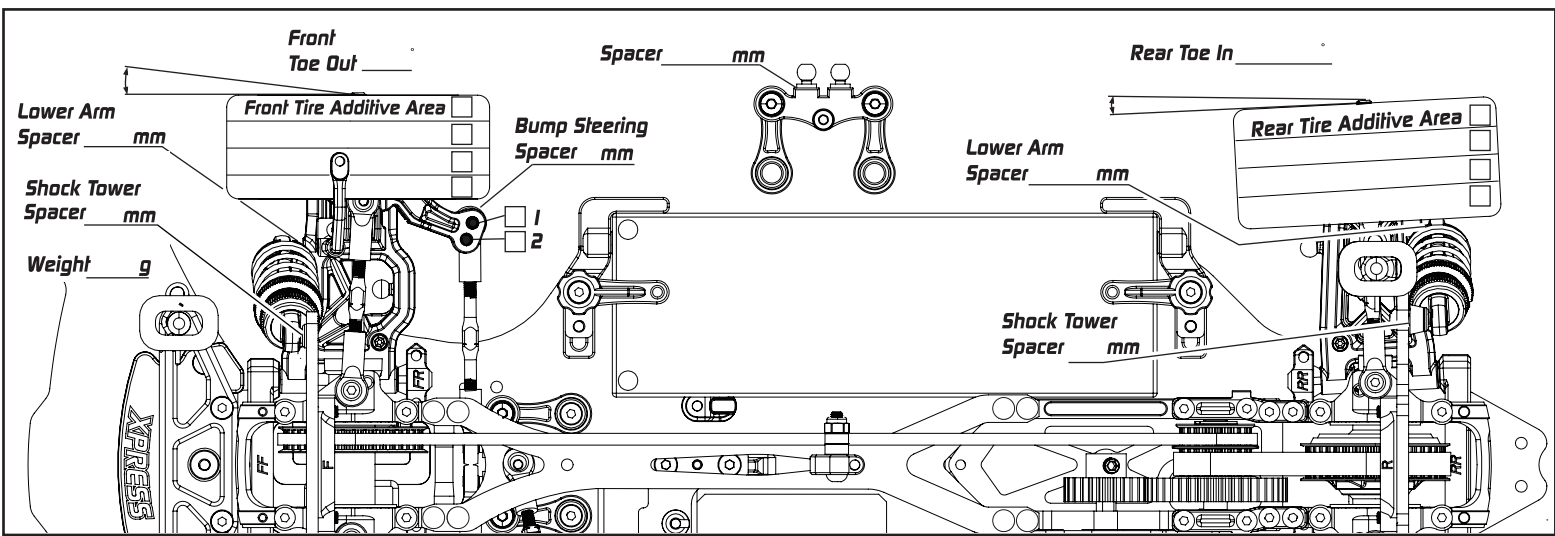
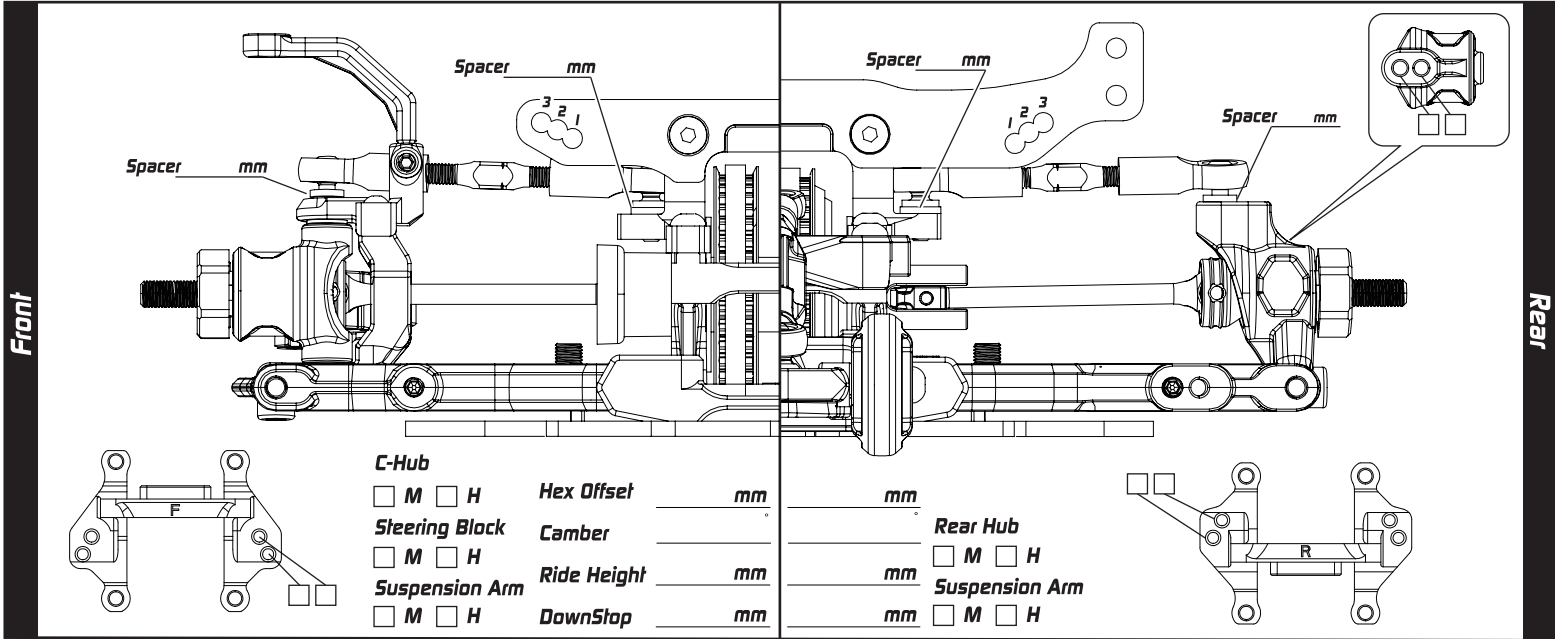
		Pinon														
		15	16	17	18	19	20	21	22	23	24	25	26	27	28	29
Spur Gear	40					4.00	3.80	3.62	3.45	3.30	3.17	3.04	2.92	2.81	2.71	2.62
	41				4.33	4.10	3.90	3.71	3.54	3.39	3.25	3.12	3.00	2.89	2.78	
	42			4.69	4.43	4.20	3.99	3.80	3.63	3.47	3.33	3.19	3.07	2.96		
	43		5.11	4.81	4.54	4.30	4.09	3.89	3.71	3.55	3.40	3.27	3.14			
	44	5.57	5.23	4.92	4.64	4.40	4.18	3.98	3.80	3.63	3.48	3.34				

Note



Note

Driver _____ Track Surface _____ Track Temperature _____
 Date _____ Track Traction _____ Result _____ Air Temperature _____
 Track _____ Country _____ Best Lap _____ Humidity _____ Remark _____



Damper Setup

	Front	Rear
Spring	_____	_____
Oil	_____	_____
Rebound	_____	_____
Piston	_____	_____
Length	_____	_____
Foam Insert	<input type="checkbox"/>	<input type="checkbox"/>
Hole In Cap	<input type="checkbox"/>	<input type="checkbox"/>

Transmission Setup

Front	Rear
_____	_____
Oil	Oil _____
Weight _____ g	Weight _____ g
Position _____	Position _____

Others

Servo _____ Tires _____

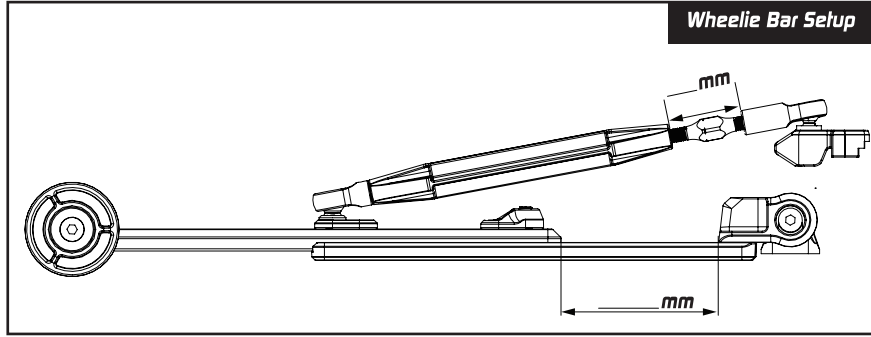
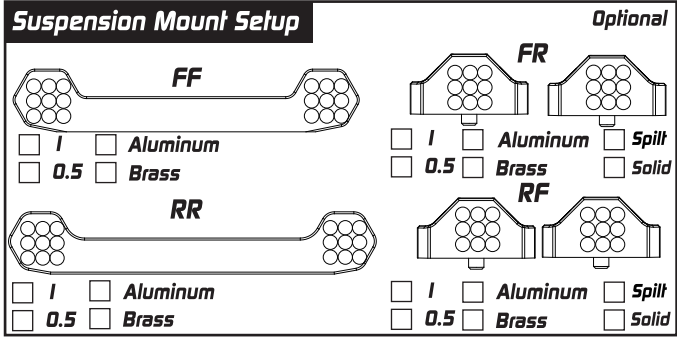
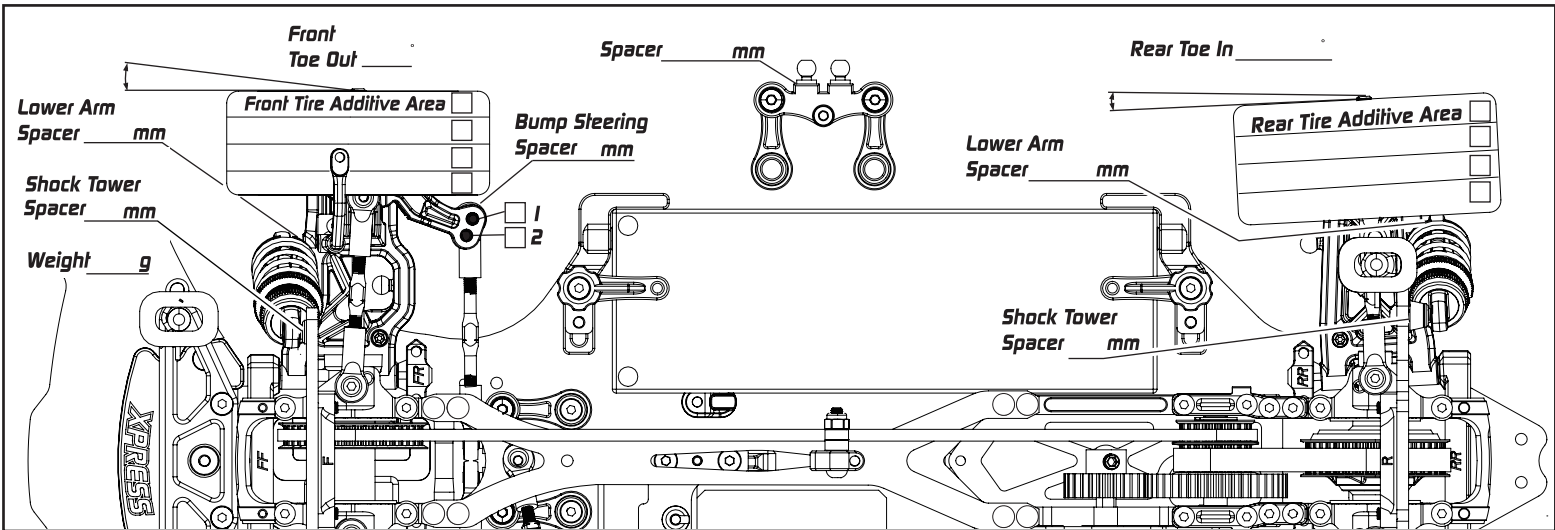
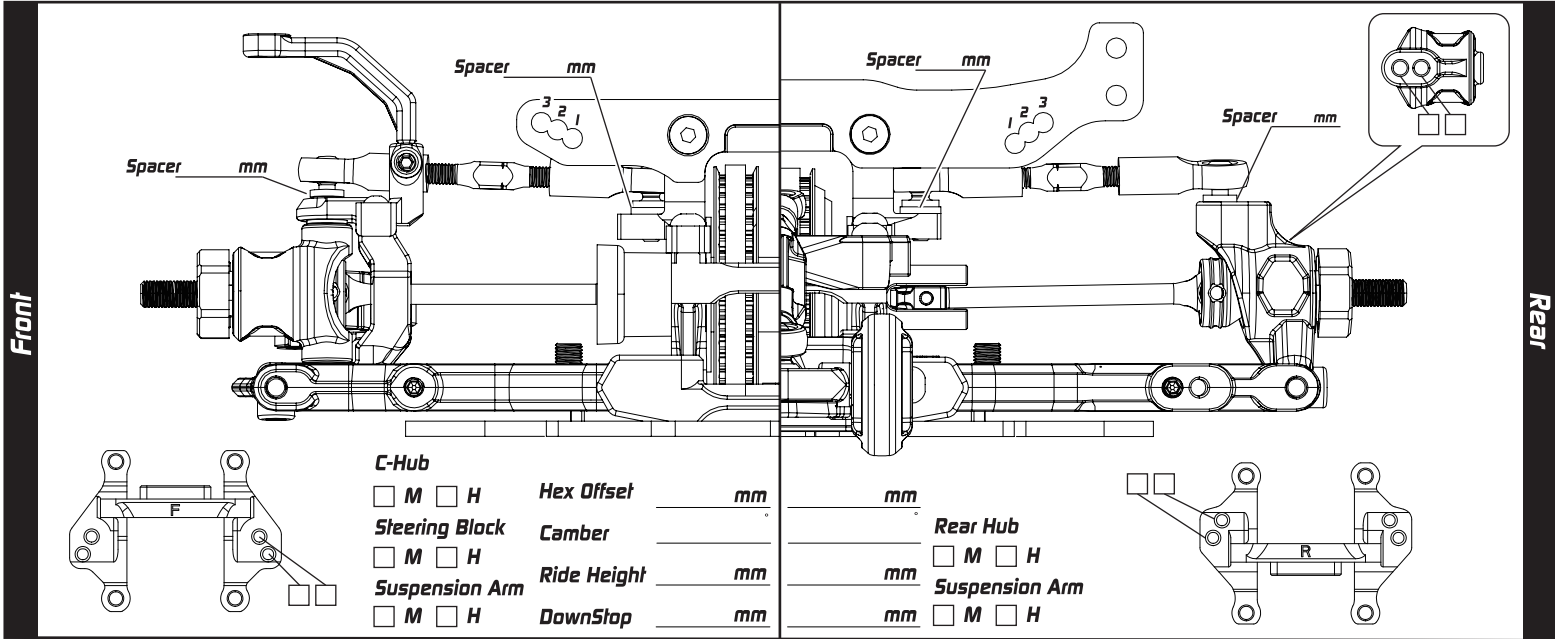
Esc _____ Additive _____

Motor _____ Body _____

Spur P/ T Rear Wing _____

Pinon P/ T FDR _____

Driver _____ Track Surface _____ Track Temperature _____
 Date _____ Track Traction _____ Result _____ Air Temperature _____
 Track _____ Country _____ Best Lap _____ Humidity _____ Remark _____



Damper Setup

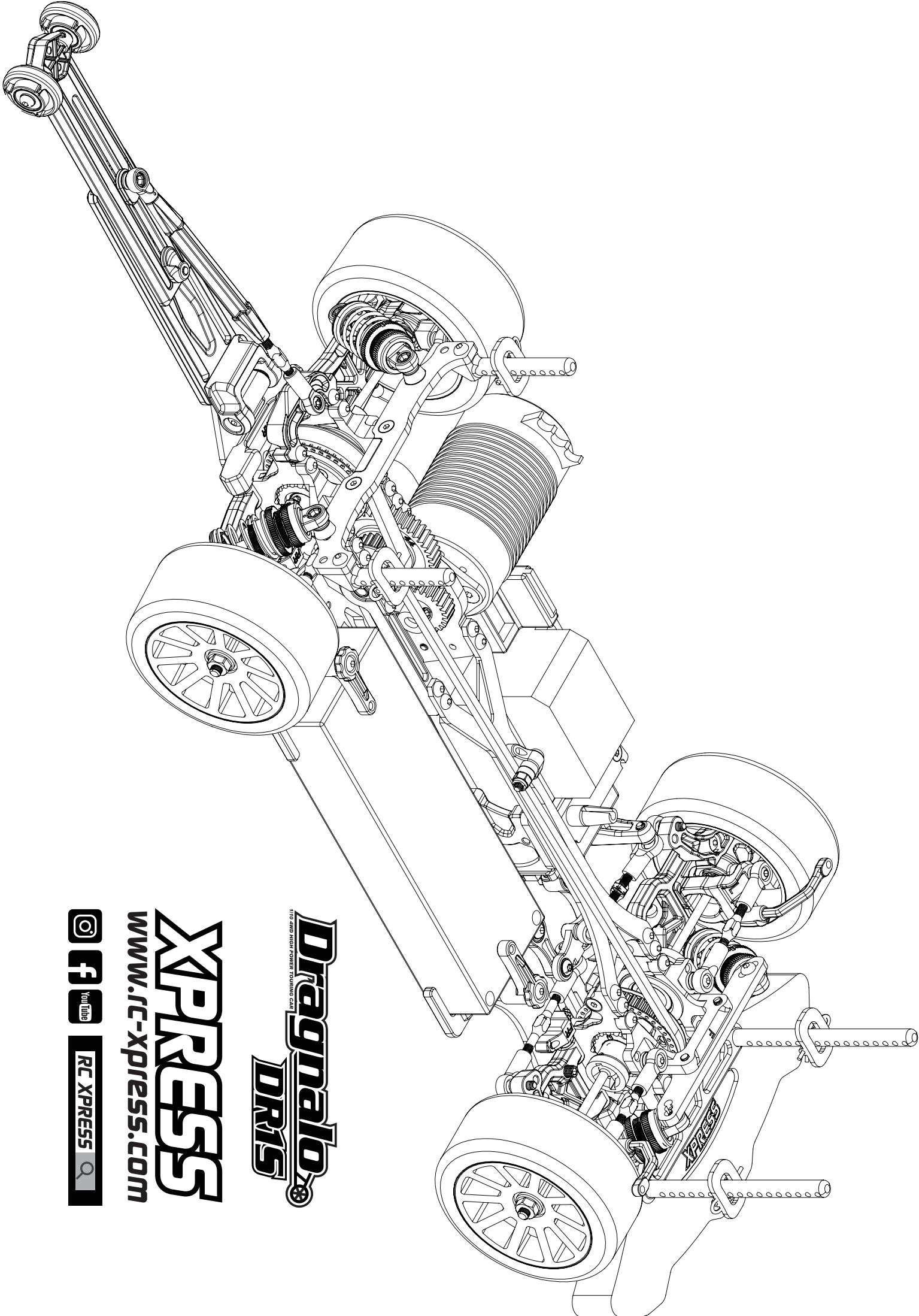
	Front	Rear
Spring	_____	_____
Oil	_____	_____
Rebound	_____	_____
Piston	_____	_____
Length	_____	_____
Foam Insert	<input type="checkbox"/>	<input type="checkbox"/>
Hole In Cap	<input type="checkbox"/>	<input type="checkbox"/>

Transmission Setup

Front	Rear
_____	_____
Oil	Oil _____
Weight _____ g	Weight _____ g
Position _____	Position _____

Others

Servo _____ Tires _____
 Esc _____ Additive _____
 Motor _____ Body _____
 Spur P/ T Rear Wing _____
 Pinon P/ T FDR _____



1/10 AND HIGH POWER TUNING CAR
Dragano
DR15

XPRESS
www.rc-xpress.com

